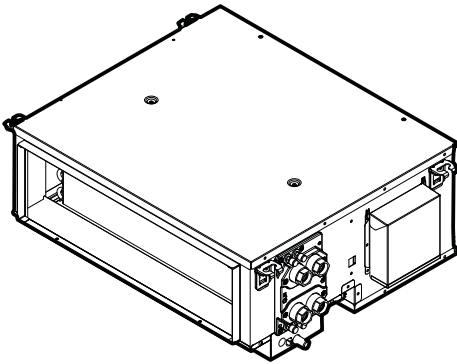




Installation and operation manual

Fan coil units



FWE04FF/T
FWE05FF/T
FWE06FF/T
FWE08FF/T
FWE10FF/T
FWE12FF/T
FWE14FF/T
FWE16FF/T
FWE20FF/T
FWE24FF/T

Installation and operation manual Fan coil units	English
Installations- und Betriebsanleitung Gebläsekonvektoren	Deutsch
Manuel d'installation et d'utilisation Ventilo-convecteurs	Français
Montagehandleiding en gebruiksaanwijzing Ventilatorconvectoren	Nederlands
Manual de instalación y funcionamiento Unidades fan coil	Español
Manuale di installazione e d'uso Ventilconvettori	Italiano
Εγχειρίδιο εγκατάστασης και λειτουργίας Κλιματιστικές μονάδες	Ελληνικά
Manual de instalação e de funcionamento Ventilo-convetores	Portugues
Руководство по монтажу и эксплуатации Фанкойлы	русский
Montaj ve kullanım kılavuzu Fan coil üniteleri	Türkçe

UKCA – Safety declaration of conformity

Daikin Europe N.V.

declares under its sole responsibility that the products to which this declaration relates:

FWE*FAFN5V1--, **FWE*FAFN5V1-R**, **FWE*FATN5V1--**, **FWE*FATN5V1-R**, **FWE*FAFT5V1--**, **FWE*FAFT5V1-R**, **FWE*FAFV5V1--**, **FWE*FAFV5V1-R**, **FWE*FATV5V1--**, **FWE*FATV5V1-R**,
(*=**04, 05, 06, 08, 10, 12, 14, 16, 20, 24**),

are in conformity with the following directive(s) or regulation(s), provided that the products are used in accordance with our instructions:

- S.I. 2016/1101: Electrical Equipment (Safety) Regulations 2016
- S.I. 2016/1091: Electromagnetic Compatibility Regulations 2016*
- S.I. 2008/1597: Supply of Machinery (Safety) Regulations 2008**

as amended,

following the provisions of: BS EN 60335-2-40,

* as set out in **<A>** and judged positively by **** according to the **Certificate <C>**.

** Daikin Europe N.V. is authorised to compile the Technical Construction File.

<A>	TCF DT22-402
	-
<C>	-



Table of contents

1	About the documentation	4
1.1	About this document.....	4
1.2	Meaning of warnings and symbols.....	4
1.3	General.....	5
2	Specific installer safety instructions	5
For the installer		6
3	About the box	6
3.1	To unpack and handle the fan coil unit.....	6
3.2	To remove the accessories from the fan coil unit.....	6
4	About the units and options	7
4.1	Identification.....	7
4.1.1	Identification label: Fan coil unit.....	7
5	Unit installation	7
5.1	Preparing the installation site.....	7
5.2	Interchangeability.....	8
5.3	Mounting the unit.....	8
5.3.1	To install the suspension bolts.....	8
5.3.2	To mount the unit.....	9
5.4	Water piping installation.....	9
5.4.1	Preparing water piping.....	9
5.4.2	Connecting water piping.....	10
5.5	Drain piping installation.....	11
5.5.1	Guidelines when installing the drain piping.....	11
5.5.2	Connecting the drain piping.....	11
5.6	Optional equipment installation.....	12
5.6.1	Preparing of optional equipment.....	12
5.6.2	Connecting the optional equipment.....	13
6	Electrical installation	13
6.1	Preparing electrical wiring.....	13
6.2	Connecting the electrical wiring.....	14
7	Commissioning	15
7.1	Checklist before commissioning.....	15
For the user		15
8	User safety instructions	15
8.1	Instructions for safe operation.....	15
9	About the system	16
10	Before operation	16
11	Operation	16
11.1	Operation range.....	16
12	Energy saving and optimum operation	16
13	Maintenance and service	16
13.1	Maintenance safety precautions.....	16
13.2	Precautions for maintenance and service.....	17
13.3	Cleaning the air filter, suction grille, air outlet and outside panels.....	17
13.3.1	To clean the air filter.....	17
13.4	Maintenance after a long stop period.....	18
13.5	Maintenance before a long stop period.....	18
13.6	After-sales service and warranty.....	18
13.6.1	Recommended maintenance and inspection.....	18
13.6.2	Shortened maintenance and replacement cycles.....	18
14	Troubleshooting	18

14.1	To solve the problems with your fan coil unit.....	19
14.2	Relocation.....	19
15	Disposal	19
16	Technical data	20
16.1	Wiring diagram.....	20
16.2	Dimensions.....	21
17	Information requirements for ecodesign	22

1 About the documentation

1.1 About this document



WARNING

This appliance can be used by children aged from 8 years and above and persons with reduced physical, sensory or mental capabilities or lack of experience and knowledge if they have been given supervision or instruction concerning use of the appliance in a safe way and understand the hazards involved.

Children SHALL NOT play with the appliance.

Cleaning and user maintenance SHALL NOT be made by children without supervision.

Target audience

Authorised installers + end users



INFORMATION

This appliance is intended to be used in commercial, industrial or business environment.

Documentation set

This document is part of a documentation set. The complete set consists of:

- **General safety precautions:**
 - Safety instructions that you must read before installing
 - Format: Paper (in the box of the indoor unit)
- **Indoor unit installation and operation manual:**
 - Installation and operation instructions
 - Format: Paper (in the box of the indoor unit)
 - Format: Digital files on <https://www.daikin.eu>. Use the search function 🔍 to find your model.

The latest revision of the supplied documentation is published on the regional Daikin website and is available via your dealer.

The original instructions are written in English. All other languages are translations of the original instructions.

Technical engineering data

- A **subset** of the latest technical data is available on the regional Daikin website (publicly accessible).
- The **full set** of the latest technical data is available on the Daikin Business Portal (authentication required).

1.2 Meaning of warnings and symbols



DANGER

Indicates a situation that results in death or serious injury.



DANGER: RISK OF ELECTROCUTION

Indicates a situation that could result in electrocution.

2 Specific installer safety instructions



DANGER: RISK OF BURNING/SCALDING

Indicates a situation that could result in burning/scalding because of extreme hot or cold temperatures.



WARNING

Indicates a situation that could result in death or serious injury.



CAUTION

Indicates a situation that could result in minor or moderate injury.



NOTICE

Indicates a situation that could result in equipment or property damage.



INFORMATION

Indicates useful tips or additional information.

Symbols used on the unit:

Symbol	Explanation
	Before installation, read the installation and operation manual, and the wiring instruction sheet.

1.3 General

If you are NOT sure how to install or operate the unit, contact your dealer.



WARNING

Improper installation or attachment of equipment or accessories could result in electrical shock, short-circuit, leaks, fire or other damage to the equipment. ONLY use accessories, optional equipment and spare parts made or approved by Daikin unless otherwise specified.



WARNING

Make sure installation, testing and applied materials comply with applicable legislation (on top of the instructions described in the Daikin documentation).



CAUTION

Wear adequate personal protective equipment (protective gloves, safety glasses,...) when installing, maintaining or servicing the system.



WARNING

Tear apart and throw away plastic packaging bags so that nobody, especially NOT children, can play with them. **Possible consequence:** suffocation.



WARNING

Provide adequate measures to prevent that the unit can be used as a shelter by small animals. Small animals that make contact with electrical parts can cause malfunctions, smoke or fire.



CAUTION

Do NOT touch the air inlet or aluminium fins of the unit.



CAUTION

- Do NOT place any objects or equipment on top of the unit.
- Do NOT sit, climb or stand on the unit.



DANGER: RISK OF ELECTROCUTION

- Make sure that the system is earthed properly.
- Turn OFF the power supply before servicing.
- Install the switch box cover before turning ON the power supply.



CAUTION

- Check if the installation location can support the unit's weight. Poor installation is hazardous. It can also cause vibrations or unusual operating noise.
- Provide sufficient service space.
- Do NOT install the unit so that it is in contact with a ceiling or a wall, as this may cause vibrations.



DANGER: RISK OF ELECTROCUTION

Do NOT operate the fan coil units with wet hands. An electrical shock may result.



WARNING

This unit contains electrical and hot parts.



WARNING

If the supply cord is damaged, it MUST be replaced by the manufacturer, its service agent or similarly qualified persons in order to avoid a hazard.

2 Specific installer safety instructions

Always observe the following safety instructions and regulations.



WARNING

Make sure installation, servicing, maintenance and repair comply with instructions from Daikin and with applicable legislation (for example national gas regulation) and are executed ONLY by authorised persons.



WARNING

Installation shall be done by an installer, the choice of materials and installation shall comply with the applicable legislation. In Europe, EN378 is the applicable standard.



WARNING

Keep the interconnection wiring away from copper pipes without thermal insulation as such pipes will be very hot.



CAUTION

For walls containing a metal frame or a metal board, use a wall embedded pipe and wall cover in the feed-through hole to prevent possible heat, electrical shock, or fire.



NOTICE

- The pipework shall be securely mounted and guarded protected from physical damage.
- Keep the pipework installation to a minimum.



WARNING

- Do NOT use locally purchased electrical parts inside the product.
- Do NOT branch the power supply for the valve etc. from terminal block. This could result in electrical shock or fire.

3 About the box

For the installer

3 About the box

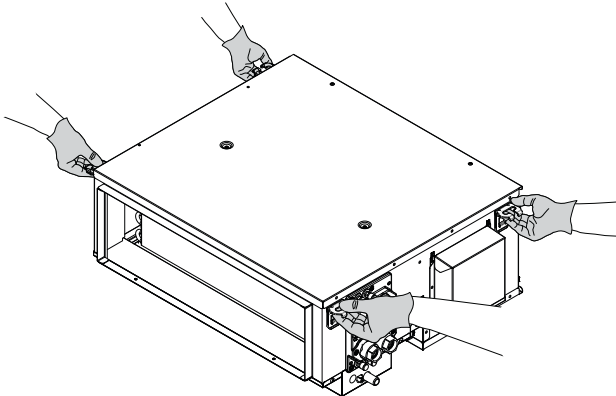
Keep the following in mind:

- At delivery, the unit **MUST** be checked for damage and completeness. Any damage or missing parts **MUST** be reported immediately to the claims agent of the carrier.
- Bring the packed unit as close as possible to its final installation position to prevent damage during transport.
- Prepare in advance the path along which you want to bring the unit to its final installation position.

3.1 To unpack and handle the fan coil unit

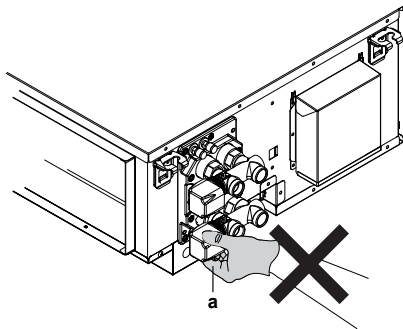
Use a sling of soft material or protective plates together with a rope when lifting the unit. This to avoid damage or scratches to the unit.

- 1 Lift the unit by holding onto the hanger brackets without exerting any pressure on other parts, especially on drain piping and thermal insulation.



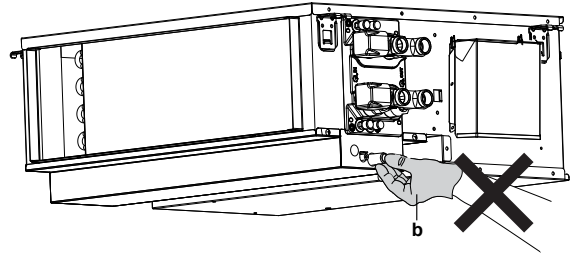
NOTICE

Do NOT lift the unit by the valve actuators (a).



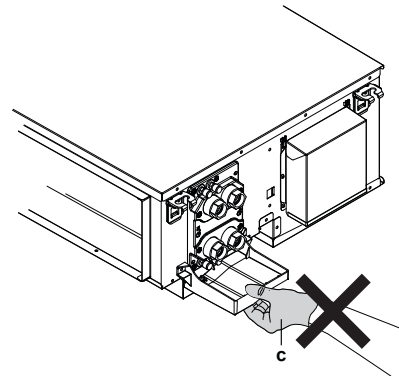
NOTICE

Do NOT lift the unit by the drain pan socket (b).

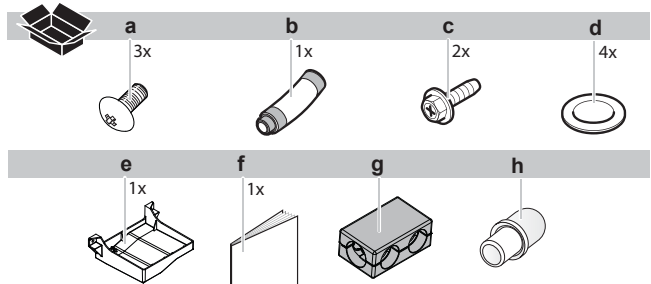


NOTICE

Do NOT lift the unit by subdrain pan (c).



3.2 To remove the accessories from the fan coil unit



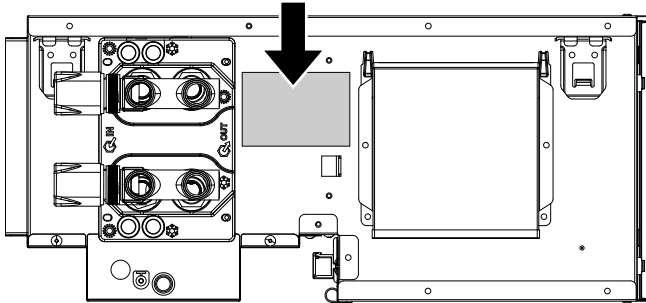
- a Screw M4 for sub drain pan 2x and drain hose 1x
- b Drain hose
- c Screw M5 for FWEC SAP 2x
- d Gasket
- e Sub drain pan
- f Installation and operation manual
- g Thermal insulation for valves (2 pipe: 1x and 4 pipe: 2x) (*)
- h Flare cap
- * Only models with factory mounted valve

4 About the units and options

4.1 Identification

4.1.1 Identification label: Fan coil unit

Location



Model identification

Example: FW E 04 F A T N 5 V3 --

Code	Description
FW	Water fan coil unit
E	Duct Low ESP
F	Major model series
A	Minor model change
T	2 pipe
F	4 pipe
N	Without valve
V	3 way valve (ON/OFF - 230 V)
T	2 way valve (ON/OFF - 230 V)
5	Hendek factory
V1	1 Ph / 50 Hz / 220-240 V
-	No option
-	Left side water, left side electric connection
R	Right side water, right side electric connection

5 Unit installation

5.1 Preparing the installation site



WARNING

ALWAYS use non-flammable ducts, thermal insulations and couplings; flammable materials may cause a fire.



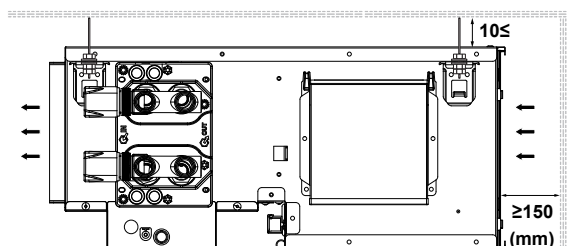
NOTICE

The unit must be installed ≥ 2.5 m from the floor.



NOTICE

The spacing between ceiling and unit should be ≥ 10 mm and the suction space should be ≥ 150 mm.



INFORMATION

The sound pressure level is less than 70 dBA.



CAUTION

Appliance NOT accessible to the general public. Install it in a secured area, protected from easy access.

This unit is suitable for installation in a commercial and light industrial environment.



NOTICE

Where installation from below is NOT possible, such as very high ceilings, access to the unit for installation and service should be possible from the top of the ceiling.

Select an installation site where the following conditions are fulfilled and that meets your customer approval.

- The space around the unit is adequate for maintenance and servicing. The space around the unit allows sufficient air circulation and air distribution. See space required for installation.
- Make sure the area is well ventilated. Do NOT block any ventilation openings.
- Make sure the installation site withstands the weight and vibration of the unit.
- Take care that in the event of a water leak, water cannot cause any damage to the installation space and surroundings.
- Choose a location where the operation noise or the hot/cold air discharged from the unit will not disturb anyone and the location is selected according the applicable legislation.
- Drainage.** Make sure condensation water can be evacuated properly.
- In places with weak reception, keep distances of 3 m or more to avoid electromagnetic disturbance of other equipment and use conduit tubes for power and transmission lines.
- Fluorescent lights.** When installing a wireless remote control (user interface) in a room with fluorescent lights, mind the following to avoid interference:
 - Install the wireless remote control (user interface) as close as possible to the indoor unit.
 - Install the indoor unit as far as possible from the fluorescent lights.

Do NOT install the unit in places often used as work place. In case of construction works (e.g. grinding works) where a lot of dust is created, the unit MUST be covered.

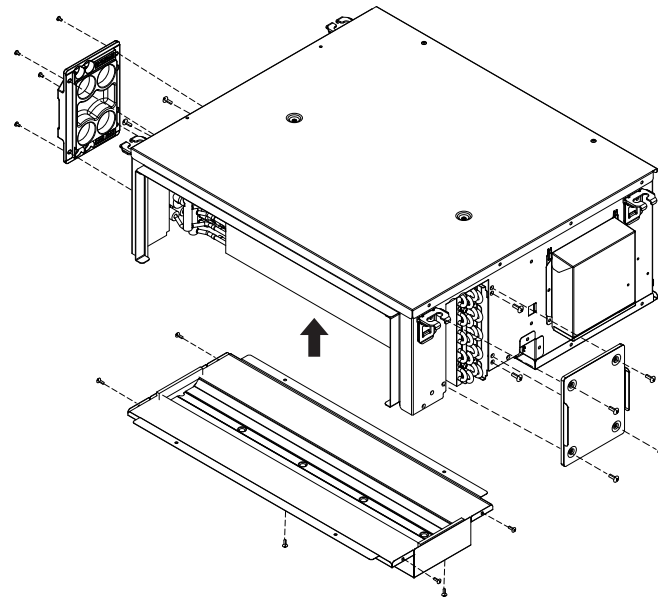
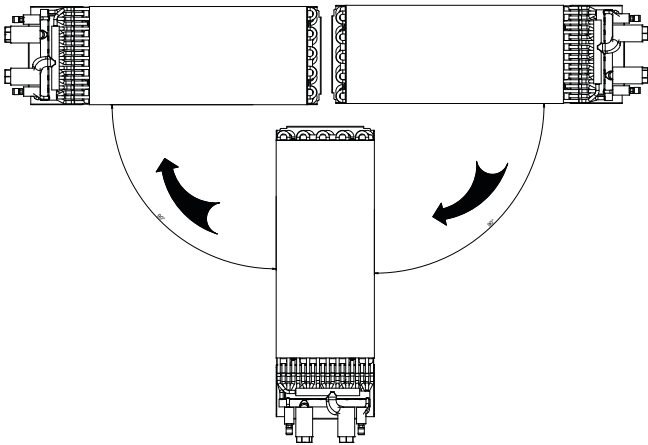
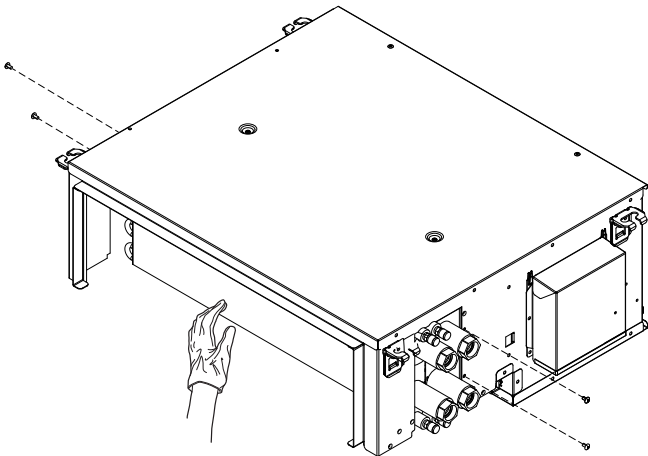
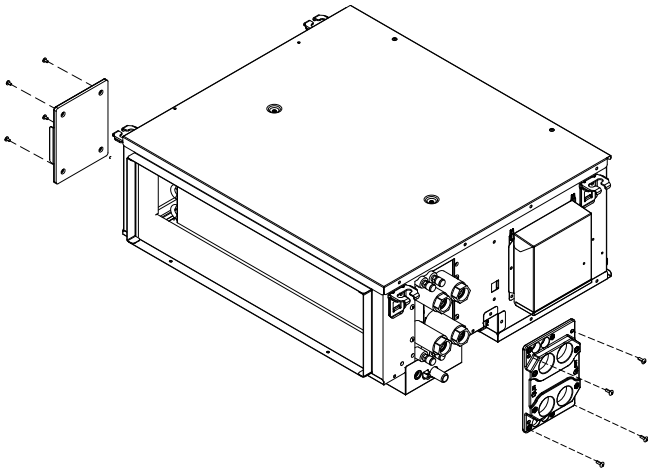
Do not install or operate the unit in rooms mentioned below.

- Places with mineral oil, or filled with oil vapour or spray, like in kitchens (plastic parts may deteriorate).
- Where corrosive gas like sulphurous gas exists. Copper tubing and brazed spots may corrode.
- Where the air contains high levels of salt, such as that near the coast and where voltage fluctuates a lot (e.g. in factories). Also in vehicles or vessels.
- In places where there is machinery that emits electromagnetic waves. Electromagnetic waves may disturb the control system, and cause malfunction of the equipment.
- In places where there is a risk of fire due to the leakage of flammable gases (example: thinner or gasoline), carbon fibre, ignitable dust.
- The unit can NOT be installed in a bathroom.

5 Unit installation

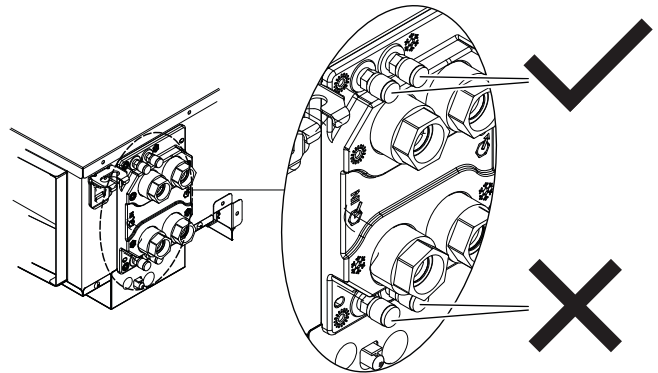
5.2 Interchangeability

The direction of the product must be changed on the ground.
Remove the cover sheet metal on the side plate of the unit.



NOTICE

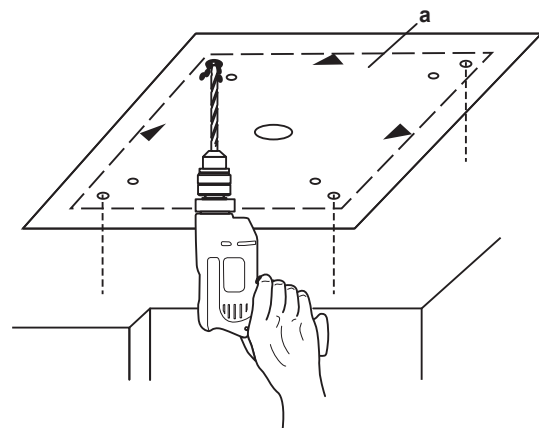
Always use upper air purges.



5.3 Mounting the unit

5.3.1 To install the suspension bolts

Use the pattern to determine the suspension bolt positions (upper part of the packing). Suspension bolt positions are indicated on the paper pattern. Holes can be drilled by putting the paper pattern on the ceiling.

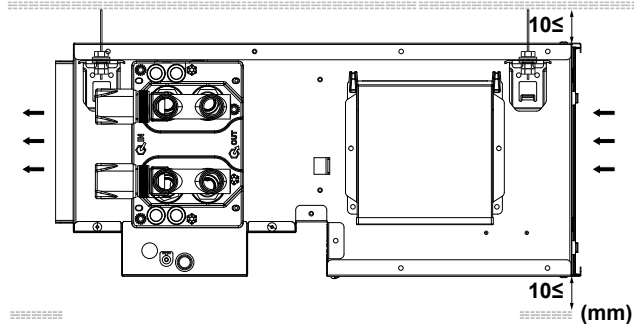


a Paper pattern for installation. (upper part of the packing)

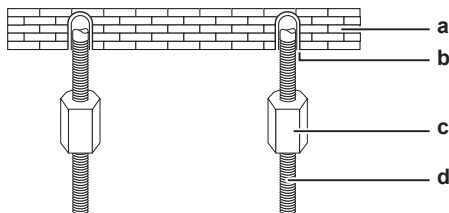
5.3.2 To mount the unit

Make the required ceiling opening for installation in an applicable place. It maybe necessary to reinforce the suspended ceiling frame to keep the ceiling level and to prevent it from vibrating.

Consult the builder for details.

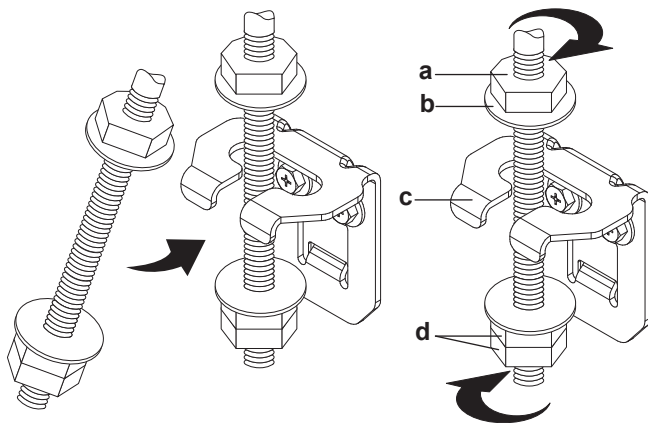


- **Ceiling strength.** Check whether the ceiling is strong enough to support the weight of the unit. If there is a risk, reinforce the ceiling before installing the unit.
 - For existing ceilings, use anchors.
 - For new ceilings, use sunken inserts, sunken anchors or other field supplied parts.



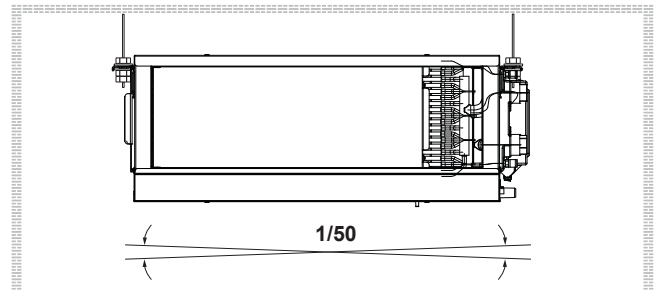
- a Ceiling slab
- b Anchor
- c Long nut or turn-buckle
- d Suspension bolt

- **Suspension bolts.** Use M8–M10 suspension bolts for installation. Attach the hanger bracket to the suspension bolt. Fix it securely using a nut and washer from the upper and lower sides of the hanger bracket.

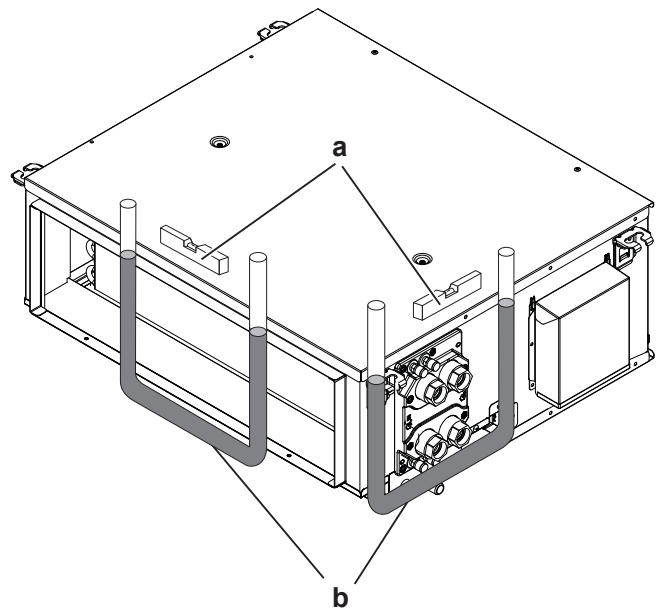


- a Nut (field supply)
- b Washer (field supply)
- c Hanger bracket
- d Double nut (field supply)

- Adjust the unit to the correct position for installation.



- Check if the unit is horizontally levelled.
- **Level.** Make sure the unit is level at all 4 corners using a level or a water-filled vinyl tube.



- a Level
- b Vinyl tube



NOTICE

Do NOT install the unit tilted. **Possible consequence:** If the unit is tilted against the direction of the condensate flow (the drain piping side is raised), water may drip.

5.4 Water piping installation

5.4.1 Preparing water piping

Before performing the water piping work, check the following points:

- The maximum water pressure is 1.6 MPa.
- The minimum water temperature is 5°C.
- The maximum water temperature is 90°C.
- Be sure to install components in the field piping that can withstand the water pressure and temperature.
- Provide adequate safeguards in the water circuit to ensure that the water pressure will never exceed the maximum allowable working pressure.

5 Unit installation

- Provide a proper drain for the pressure relief valve (if installed) to avoid any water from coming into contact with electrical parts.
- Provide shut-off valves at the unit so that normal servicing can be accomplished without draining the system.
- Provide drain taps at all low points of the system to permit complete draining of the circuit during maintenance or service to the unit.
- Provide air purge valves at all high points of the system. The valves shall be located at points which are easily accessible for servicing.
- Pipework shall be protected from physical damage.



NOTICE

Make sure water quality complies with EU directive 2020/2184.



NOTICE

Use of glycol is allowed, but the amount shall NOT exceed 40% of the volume. A higher amount of glycol may cause damage to the hydraulic components.

5.4.2 Connecting water piping



CAUTION

Always use valves to control water circulation in the unit. If the fan coil unit is off, but water keeps circulating in the unit, condensation will form on the unit and water may drip.



NOTICE

Do not use excessive force when connecting the piping. This could deform the unit piping. Deformation of the piping can cause the unit to malfunction.

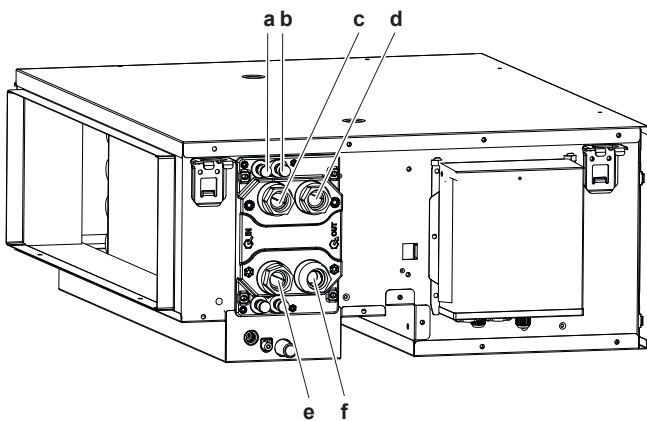


NOTICE

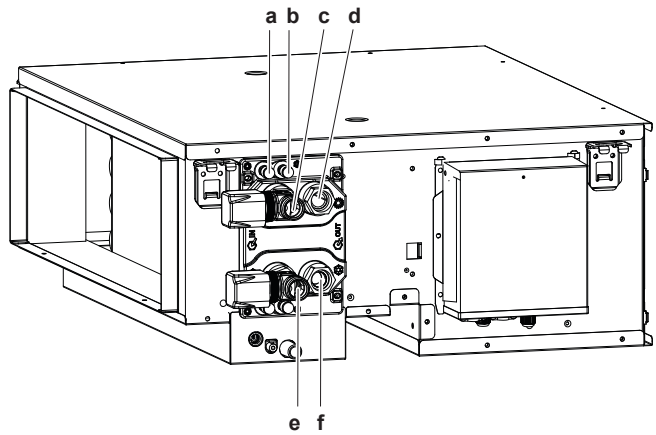
Make sure to insulate all piping. Any exposed piping might cause condensation.



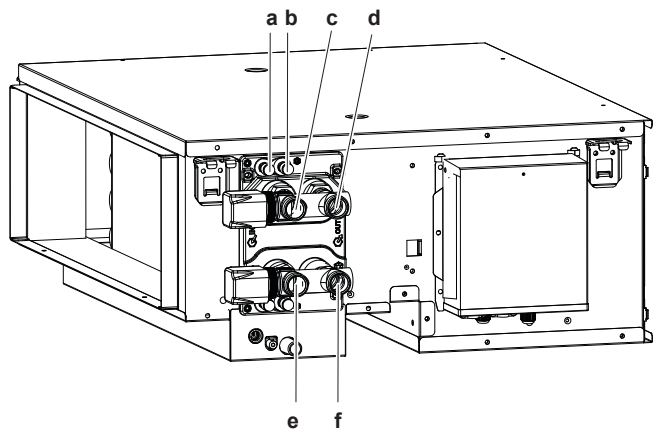
DANGER: RISK OF BURNING/SCALDING



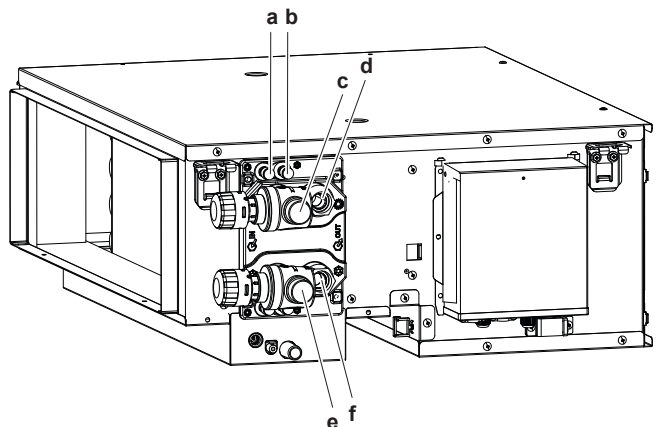
- a Heating air purge
- b Cooling air purge
- c Hot water inlet (3/4" female BSP)
- d Hot water outlet (3/4" female BSP)
- e Cooling inlet (3/4" female BSP)
- f Cooling outlet (3/4" female BSP)



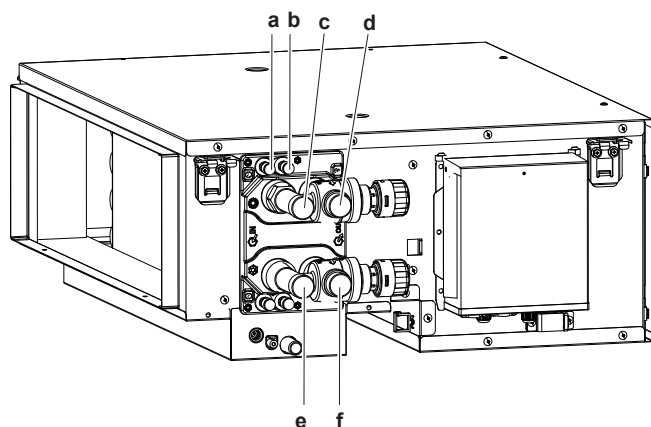
- a Heating air purge
- b Cooling air purge
- c Hot water inlet (DN3/4")
- d Hot water outlet (3/4" female BSP)
- e Cooling inlet (DN3/4")
- f Cooling outlet (3/4" female BSP)



- a Cooling air purge
- b Heating air purge
- c Hot water inlet (DN3/4")
- d Hot water outlet (DN3/4")
- e Cold water inlet (DN3/4")
- f Cold water outlet (DN3/4")

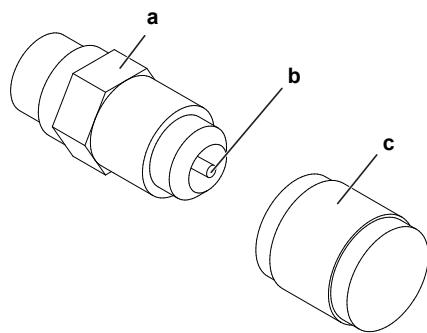


- a Heating air purge
- b Cooling air purge
- c Hot water inlet (DN3/4")
- d Hot water outlet (3/4" female BSP)
- e Cooling inlet (DN3/4")
- f Cooling outlet (3/4" female BSP)



- a Heating air purge
- b Cooling air purge
- c Hot water inlet (DN3/4")
- d Hot water outlet (DN3/4")
- e Cold water inlet (DN3/4")
- f Cold water outlet (DN3/4")

To fill the water circuit



- a Air purge
- b Pressure relief valve
- c Cap

During filling, it might not be possible to remove all air in the system. Remaining air can be removed during the first operating hours of the unit. The air can be removed from the unit through the manual air purge valve.

- 1 Open the cap.
- 2 Push the pressure relief valve to purge air from the unit water circuit(s).
- 3 Close the cap.
- 4 Additional filling with water afterwards might be required (but never through the air purge valve).



NOTICE

Air in the water circuit can cause malfunctioning. During filling, it may not be possible to remove all the air from the circuit. Remaining air will be removed through the automatic air purge valves during the initial operating hours of the system. Additional filling with water afterwards may be required.



NOTICE

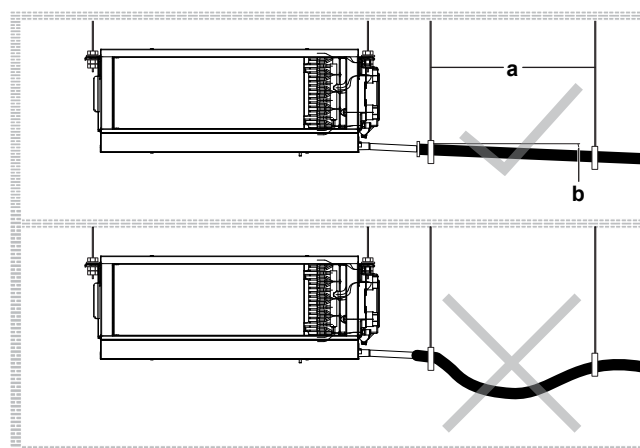
Make sure water quality complies with EU directive 2020/2184.

5.5 Drain piping installation

5.5.1 Guidelines when installing the drain piping

General guidelines

- **Pipe length.** Keep drain piping as short as possible.
- **Pipe size.** Keep the pipe size equal to or greater than that of the connecting pipe (vinyl pipe of 25 mm nominal diameter and 32 mm outer diameter).
- **Condensation.** Take measures against condensation. Insulate the complete drain piping in the building.
- **Slope.** Make sure the drain piping slopes down (at least 1/50) to prevent air from being trapped in the piping. Use hanging bars as shown.



- a Hanging bar
- ✓ Allowed
- ✗ Not allowed

5.5.2 Connecting the drain piping

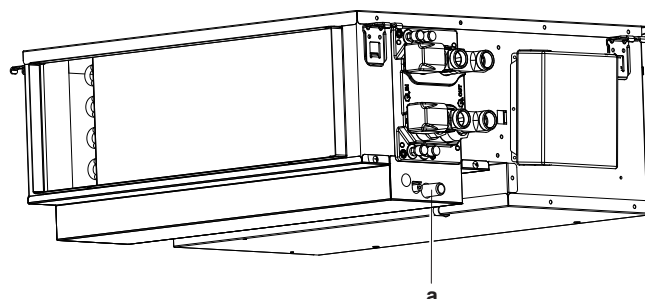
To connect the drain piping



NOTICE

Incorrect connection of the drain hose might cause leaks, and damage the installation space and surroundings.

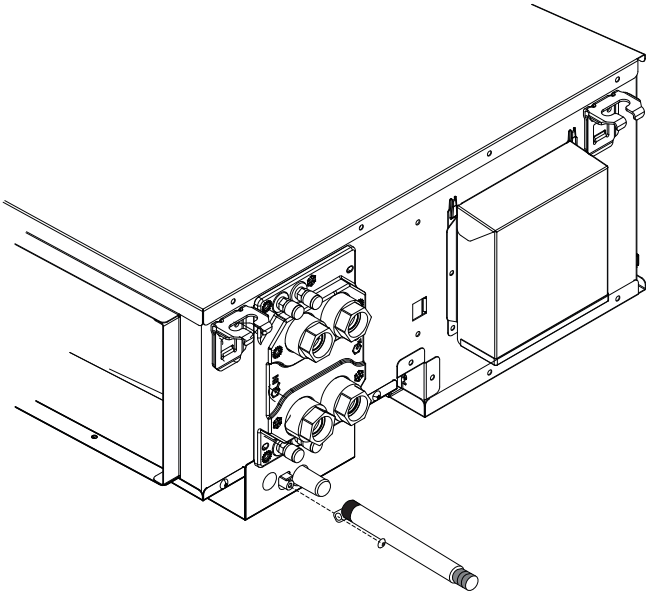
- 1 Push the drain hose as far as possible over the drain socket.
- 2 Tighten the screw from drain hose to drain pan's surface.
- 3 Check for water leaks.



- a Drain socket

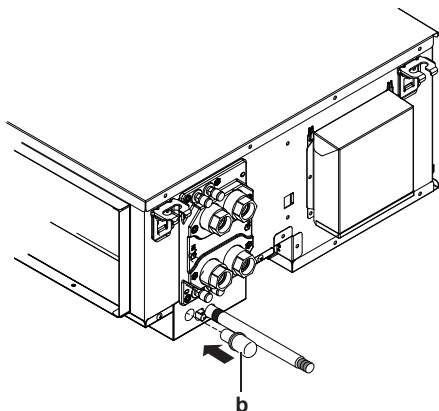
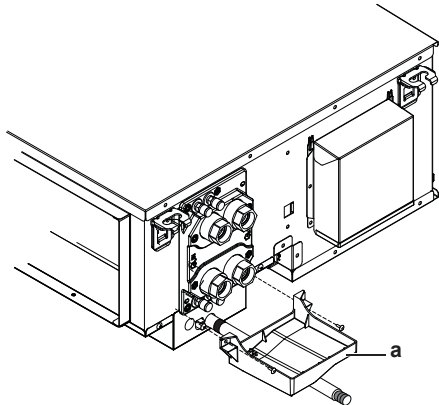
5 Unit installation

- 4 Insert the drain hose and tighten with fixing screw (accessory set).



NOTICE

The unit must be used with a drain hose. (Forgetting to tighten this may cause water leakages and vibrations.)

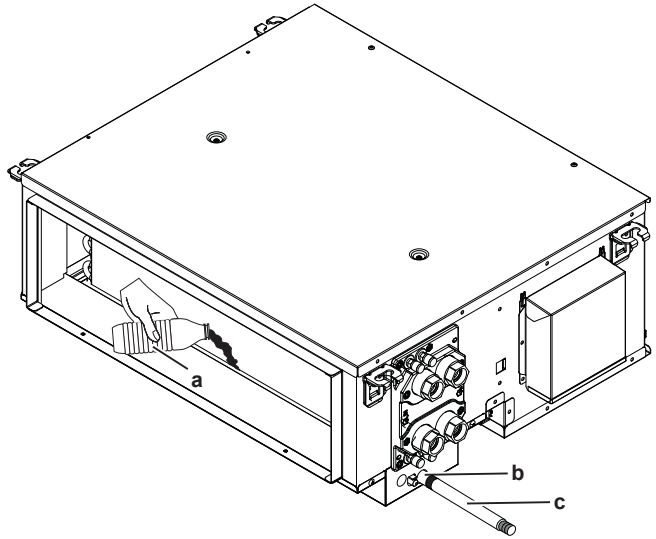


NOTICE

If the sub drain pan (a) is not used, the sub drain pan hole should be closed with a cap (b).

When electrical wiring is finished already

- 1 Start cooling operation.
- 2 Gradually pour approximately 1 l of water through the air discharge outlet, and check for leaks.



- a Plastic watering can
- b Drain outlet (use this outlet to drain water from drain pan)
- c Drain hose

5.6 Optional equipment installation

5.6.1 Preparing of optional equipment

INFORMATION

Optional equipment. When installing optional equipment, also read the installation manual of the optional equipment. Depending on the field conditions, it might be easier to install the optional equipment first.

Optional equipment	Identification code
G2 filter	EKAF02G5A
	EKAF03G5A
2-way valve- ON/OFF (AC 230 V)	EK02WV2V3W5A
	EK04WV2V3C5A
	EK06WV2V3C5A
3-way valve- ON/OFF (AC 230 V)	EK02WV3V3W5A
	EK04WV3V3C5A
	EK06WV3V3C5A
Proportional valve (AC 24 V) 3 way – 4 port valve	EK02P3V24W5A
	EK04P3V24C5A
	EK06P3V24C5A
Remote controller	FWEC3A
Remote controller (for 2 pipe)	FWEC2T
Remote controller (for 4 pipe)	FWEC4T
Remote controller (panel control board)	FWECSAP
Remote controller	FWECSAC
Remote controller	FWTOUCHW
	FWTOUCHB
	FWTOUCHG
Valve cable kit	EKER015A

5.6.2 Connecting the optional equipment

Technical specifications of the valves

Kvs value	Max. operation pressure PN (bar)	Actuator power supply
2.8	16	1 Ph, 230 V, 50-60 Hz
4		
6		

6 Electrical installation



DANGER: RISK OF ELECTROCUTION



WARNING

ALWAYS use multicore cable for power supply cables.



WARNING

Use an all-pole disconnection type breaker with at least 3 mm between the contact point gaps that provides full disconnection under overvoltage category III.



WARNING

If the supply cord is damaged, it MUST be replaced by the manufacturer, its service agent or similarly qualified persons in order to avoid a hazard.

6.1 Preparing electrical wiring



WARNING

All field wiring and components MUST be installed by a licensed electrician and MUST comply with the applicable legislation.



DANGER: RISK OF ELECTROCUTION



WARNING

A main switch or other means for disconnection, having a contact separation in all poles, MUST be incorporated in the fixed wiring in accordance with the applicable legislation.



CAUTION

- When connecting the power supply: connect the earth cable first, before making the current-carrying connections.
- When disconnecting the power supply: disconnect the current-carrying cables first, before separating the earth connection.
- The length of the conductors between the power supply stress relief and the terminal block itself MUST be as such that the current-carrying wires are tightened before the earth wire is in case the power supply is pulled loose from the stress relief.



WARNING

- After finishing the electrical work, confirm that each electrical component and terminal inside the switch box is connected securely.
- Make sure all covers are closed before starting up the unit.



WARNING

Do NOT apply any permanent inductive or capacitance loads to the circuit without ensuring that this will NOT exceed the permissible voltage and current permitted for the equipment in use.



NOTICE

The equipment described in this manual may cause electronic noise generated from radio-frequency energy. The equipment complies to specifications that are designed to provide reasonable protection against such interference. However, there is no guarantee that interference will not occur in a particular installation.

It is therefore recommended to install the equipment and electric wires in such a way that they keep a proper distance from stereo equipment, personal computers, etc.



DANGER: RISK OF ELECTROCUTION

- Turn OFF all power supply before removing the fan coil unit terminal cover when connecting electrical wiring or touching electrical parts.
- Disconnect the power supply for more than 10 minutes, and measure the voltage at the terminals of main circuit capacitors or electrical components before servicing. The voltage MUST be less than 50 V DC before you can touch electrical components. For the location of the terminals, see the wiring diagram.
- Do NOT touch electrical components with wet hands.
- Do NOT leave the unit unattended when the terminal cover is removed.



WARNING

- ONLY use copper wires.
- Make sure the field wiring complies with the applicable legislation.
- All field wiring MUST be performed in accordance with the wiring diagram supplied with the product.
- NEVER squeeze bundled cables and make sure they do NOT come into contact with the piping and sharp edges. Make sure no external pressure is applied to the terminal connections.
- Make sure to install earth wiring. Do NOT earth the unit to a utility pipe, surge absorber, or telephone earth. Incomplete earthing may cause electrical shock.
- Make sure to install the required fuses or circuit breakers.
- Make sure to install an earth leakage protector. Failure to do so may cause electrical shock or fire.

6 Electrical installation

6-1 Field wiring specifications

	2 Pipe									
	04	05	06	08	10	12	14	16	20	24
Maximum operating current (A)	0.27	0.27	0.38	0.44	0.48	0.53	0.81	0.88	0.88	1.06
Maximum operating current (A) with valvesFN	0.34	0.34	0.45	0.51	0.55	0.60	0.88	0.95	0.95	1.13
Recommended overcurrent fuse (A)	5									
Phase	1									
Frequency (Hz)	50									
Voltage (V)	220~240									
Voltage tolerance (%)	±10									
Wire size (cross section mm ²)	0.75~1.25									
Earth leakage circuit breaker	Must comply with applicable legislation									

6-2 Field wiring specifications

	4 Pipe									
	04	05	06	08	10	12	14	16	20	24
Maximum operating current (A)	0.26	0.26	0.37	0.43	0.50	0.56	0.79	0.87	0.83	1.04
Maximum operating current (A) with valvesFN	0.33	0.33	0.44	0.50	0.57	0.63	0.86	0.94	0.90	1.11
Recommended overcurrent fuse (A)	5									
Phase	1									
Frequency (Hz)	50									
Voltage (V)	220~240									
Voltage tolerance (%)	±10									
Wire size (cross section mm ²)	0.75~1.25									
Earth leakage circuit breaker	Must comply with applicable legislation									

6.2 Connecting the electrical wiring



DANGER: RISK OF ELECTROCUTION



WARNING

ALWAYS use multicore cable for power supply cables.



WARNING

Use an all-pole disconnection type breaker with at least 3 mm between the contact point gaps that provides full disconnection under overvoltage category III.



WARNING

If the supply cord is damaged, it MUST be replaced by the manufacturer, its service agent or similarly qualified persons in order to avoid a hazard.



NOTICE

Precautions when laying power wiring:



- Do NOT connect wiring of different thicknesses to the power terminal block (slack in the power wiring may cause abnormal heat).
- When connecting wiring which is the same thickness, do as shown in the figure above.
- For wiring, use the designated power wire and connect firmly, then secure to prevent outside pressure being exerted on the terminal board.
- Use an appropriate screwdriver for tightening the terminal screws. A screwdriver with a small head will damage the head and make proper tightening impossible.
- Over-tightening the terminal screws may break them.



NOTICE

- Follow the wiring diagram (delivered with the unit, located at the inside of the service cover).
- For instructions on how to connect the optional equipment, see the installation manual delivered with the optional equipment.
- Make sure the electrical wiring does NOT obstruct proper reattachment of the service cover.

It is important to keep the power supply and the transmission wiring separated from each other. In order to avoid any electrical interference the distance between both wirings should ALWAYS be at least 50 mm.

**NOTICE**

Be sure to keep the power line and transmission line apart from each other. Transmission wiring and power supply wiring may cross, but may NOT run parallel.

7 Commissioning

**NOTICE**

Do NOT interrupt the test run.

7.1 Checklist before commissioning

- 1 After the installation of the unit, check the items listed below.
- 2 Close the unit.
- 3 Power up the unit.



You read the complete installation instructions, as described in the **installer reference guide**.

<input type="checkbox"/>	The indoor units are properly mounted.
<input type="checkbox"/>	There are NO missing phases or reversed phases .
<input type="checkbox"/>	The system is properly earthed and the earth terminals are tightened.
<input type="checkbox"/>	The fuses or locally installed protection devices are installed according to this document, and have NOT been bypassed.
<input type="checkbox"/>	The power supply voltage matches the voltage on the identification label of the unit.
<input type="checkbox"/>	There are NO loose connections or damaged electrical components in the switch box.
<input type="checkbox"/>	There are NO damaged components or squeezed pipes on the inside of the indoor and outdoor units.
<input type="checkbox"/>	The correct pipe size is installed and the pipes are properly insulated.

For the user

8 User safety instructions

Always observe the following safety instructions and regulations.

8.1 Instructions for safe operation

**CAUTION**

Do NOT insert fingers, rods or other objects into the air inlet or outlet. When the fan is rotating at high speed, it will cause injury.

**CAUTION: Pay attention to the fan!**

It is dangerous to inspect the unit while the fan is running.

Make sure to turn OFF the main switch before executing any maintenance task.

**CAUTION**

After a long use, check the unit stand and fitting for damage. If damaged, the unit may fall and result in injury.

**CAUTION**

It is unhealthy to expose your body to the air flow for a long time.

**CAUTION**

NEVER touch the internal parts of the controller.

**DANGER: RISK OF ELECTROCUTION**

To clean the air conditioner or air filter, be sure to stop operation and turn all power supplies OFF. Otherwise, an electrical shock and injury may result.

**WARNING**

Keep any required ventilation openings clear of obstructions.

**WARNING**

Stop operation and shut OFF the power if anything unusual occurs (burning smells etc.).

Leaving the unit running under such circumstances may cause breakage, electrical shock or fire. Contact your dealer.

**WARNING**

NEVER touch the air outlet or the horizontal blades while the swing flap is in operation. Fingers may become caught or the unit may break down.

**WARNING**

Do NOT place a flammable spray bottle near the air conditioner and do NOT use sprays near the unit. Doing so may result in a fire.

9 About the system

WARNING

Before operating the unit, be sure the installation has been carried out correctly by an installer.

WARNING

The appliance shall be stored so as to prevent mechanical damage and in a well-ventilated room without continuously operating ignition sources (e.g. open flames, an operating gas appliance, or an operating electric heater). The room size shall be as specified in the General safety precaution.

9 About the system

WARNING

Do NOT modify, disassemble, remove, reinstall or repair the unit yourself as incorrect dismantling or installation may cause an electrical shock or fire. Contact your dealer.

NOTICE

Do NOT use the system for other purposes. In order to avoid any quality deterioration, do NOT use the unit for cooling precision instruments, food, plants, animals, or works of art.

NOTICE

For future modifications or expansions of your system:

A full overview of allowable combinations (for future system extensions) is available in technical engineering data and should be consulted. Contact your installer to receive more information and professional advice.

10 Before operation

WARNING

This unit contains electrical and hot parts.

WARNING

Before operating the unit, be sure the installation has been carried out correctly by an installer.

CAUTION

NEVER expose little children, plants or animals directly to the airflow.

This operation manual is for the following systems with standard control. Before initiating operation, contact your dealer for the operation that corresponds to your system type and mark. If your installation has a customised control system, ask your dealer for the operation that corresponds to your system.

Operation modes:

- Heating and cooling (air to air).
- Fan only operation (air to air).

This operation manual offers a non-exhaustive overview of the main functions of the system.

For more information about the user interface, see the operation manual of the installed user interface.

11 Operation

11.1 Operation range

The following conditions are standard operating limits. For different conditions, please consult the dealer.

Mode	Condition	Air temperature limit, (DB/WB)	Water temperature limit, (in/out)	Water delta T, ΔT
Cooling (°C)	Min.	15/6 (RH%20)	5/8	3 to 10
	Max.	33/26 (RH%58)	18/28	
Heating (°C)	Min.	15/**	35/30	5 to 20
	Max.	27/**	90/70	

12 Energy saving and optimum operation

Observe the following precautions to ensure the system operates properly.

- Adjust the air outlet properly and avoid direct air flow to room inhabitants.
- Adjust the room temperature properly for a comfortable environment. Avoid excessive heating or cooling.
- Prevent direct sunlight from entering a room during cooling operation by using curtains or blinds.
- Ventilate often. Extended use requires special attention to ventilation.
- Keep doors and windows closed. If the doors and windows remain open, air will flow out of your room causing a decrease in the cooling or heating effect.
- Be careful NOT to cool or heat too much. To save energy, keep the temperature setting at a moderate level.
- NEVER place objects near the air inlet or the air outlet of the unit. Doing so may cause a reduced heating/cooling effect or stop operation.
- Condensation may form if the humidity is above 80% or if the drain outlet gets blocked.

NOTICE

Do NOT use the system for other purposes. In order to avoid any quality deterioration, do NOT use the unit for cooling precision instruments, food, plants, animals, or works of art.

CAUTION

Do NOT operate the system when using a room fumigation-type insecticide. Chemicals could collect in the unit, and endanger the health of people who are hypersensitive to chemicals.

13 Maintenance and service

13.1 Maintenance safety precautions

 DANGER: RISK OF BURNING/SCALDING

 DANGER: RISK OF ELECTROCUTION

NOTICE

Keep the air filter clean and check the airflow rate periodically.

WARNING

- Before carrying out any maintenance or repair activity, ALWAYS switch off the circuit breaker on the supply panel.
- Make sure you do NOT touch a conductive section.
- Do NOT rinse the outside of the unit. This may cause electric shocks or fire.

To clean the outside of your fan coil unit:

- 1 Switch off the fan coil unit.
- 2 Clean the outside of the fan coil unit with a soft cloth.

CAUTION

- Do NOT obstruct the air outlet or inlet of the unit in any way.
- Do NOT place damp or wet clothing on the air outlet grille of the unit.
- Do NOT pour liquids inside the equipment.

Never clean your fan coil unit with:

- any aggressive chemical solvent,
- water hotter than 50°C.

For maintenance of your fan coil unit, contact your installer or service company.

13.2 Precautions for maintenance and service

NOTICE

NEVER inspect or service the unit by yourself. Ask a qualified service person to perform this work. However, as end user, you may clean the air filter, suction grille, air outlet and outside panels.

WARNING

NEVER replace a fuse with a fuse of a wrong ampere ratings or other wires when a fuse blows out. Use of wire or copper wire may cause the unit to break down or cause a fire.

CAUTION

After a long use, check the unit stand and fitting for damage. If damaged, the unit may fall and result in injury.

NOTICE

Do NOT wipe the controller operation panel with benzine, thinner, chemical dust cloth, etc. The panel may get discoloured or the coating peeled off. If it is heavily dirty, soak a cloth in water-diluted neutral detergent, squeeze it well and wipe the panel clean. Wipe it with another dry cloth.

CAUTION

Before accessing terminal devices, make sure to interrupt all power supply.

NOTICE

When cleaning the heat exchanger, make sure to remove the switch box, fan motor, drain pump and float switch. Water or detergent might deteriorate the insulation of electronic components and result in burnout of these components.

WARNING

Be careful with ladders when working in high places.

13.3 Cleaning the air filter, suction grille, air outlet and outside panels

CAUTION

Turn off the unit before cleaning the air filter, suction grille, air outlet and outside panels.

NOTICE

- Do NOT scrub firmly when washing the blade with water. **Possible consequence:** The surface sealing peels off.

Clean with a soft cloth. If it is difficult to remove stains, use water or a neutral detergent.

13.3.1 To clean the air filter

When to clean the air filter:

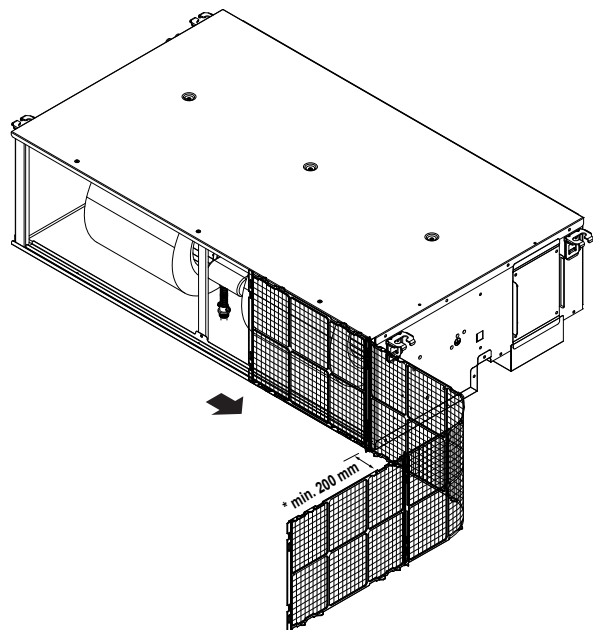
- Rule of thumb: Clean every 6 months. If the air in the room is extremely contaminated, increase the cleaning frequency.
- If the dirt becomes impossible to clean, change the air filter (= optional equipment).

How to clean the air filter:

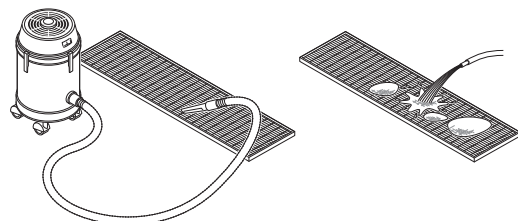
NOTICE

Do NOT use water of 50°C or higher. **Possible consequence:** Discoloration and deformation.

- 1 Switch off the power supply. The air filter can be installed right side and left side. Remove the filter by sliding as shown below.



- 2 Clean the air filter. Use a vacuum cleaner or wash with water. If the air filter is very dirty, use a soft brush and neutral detergent.



- 3 Dry the air filter in the shadow.
- 4 Reattach the air filter and close the suction grille.

14 Troubleshooting

13.4 Maintenance after a long stop period

E.g., at the beginning of the season.

- Check and remove everything that might be blocking inlet and outlet vents of indoor units and outdoor units.
- Clean air filters and casings of indoor units (see "[13.3.1 To clean the air filter](#)" ▶ 17) and To clean the air outlet and outside panels).

13.5 Maintenance before a long stop period

E.g., at the end of the season.

- Let the indoor units run in fan only operation for about half a day in order to dry the interior of the units. Refer to About cooling, heating, fan only, and automatic operation for details on fan only operation.
- Turn off the power. The user interface display disappears.
- Clean air filters and casings of indoor units (see "[13.3.1 To clean the air filter](#)" ▶ 17) and To clean the air outlet and outside panels).

13.6 After-sales service and warranty

13.6.1 Recommended maintenance and inspection

Since dust collects when using the unit for several years, performance of the unit will deteriorate to some extent. As taking apart and cleaning interiors of units requires technical expertise and in order to ensure the best possible maintenance of your units, we recommend to enter into a maintenance and inspection contract on top of normal maintenance activities. Our network of dealers has access to a permanent stock of essential components in order to keep your unit in operation as long as possible. Contact your dealer for more information.

When asking your dealer for an intervention, always state:

- The complete model name of the unit.
- The manufacturing number (stated on the nameplate of the unit).
- The installation date.
- The symptoms or malfunction, and details of the defect.

WARNING

Do NOT modify, disassemble, remove, reinstall or repair the unit yourself as incorrect dismantling or installation may cause an electrical shock or fire. Contact your dealer.

13.6.2 Shortened maintenance and replacement cycles

Shortening of "maintenance cycle" and "replacement cycle" needs to be considered in following situations:

The unit is used in locations where:

- Heat and humidity fluctuate out of the ordinary.
- Power fluctuation is high (voltage, frequency, wave distortion, etc.) (the unit cannot be used if power fluctuation is outside the allowable range).
- Bumps and vibrations are frequent.
- Dust, salt, harmful gas or oil mist such as sulphurous acid and hydrogen sulfide may be present in the air.
- The machine is started and stopped frequently or operation time is long (sites with 24 hour air-conditioning).

Recommended replacement cycle of wear parts

Component	Inspection cycle	Maintenance cycle (replacements and/or repairs)
Air filter	1 year	5 years
High efficiency filter		1 year
Fuse		10 years
Pressure containing parts		In case of corrosion, contact your local dealer.



INFORMATION

Damage due to taking apart or cleaning interiors of units by anyone other than our authorised dealers may not be included in the warranty.

14 Troubleshooting

If one of the following malfunctions occurs, take the measures shown below and contact your dealer.

The system **MUST** be repaired by a qualified service person.

Malfunction	Measure
If a safety device such as a fuse, a breaker or an earth leakage breaker frequently actuates or the ON/OFF switch does not properly work.	Turn off the main power switch.
If water leaks from the unit.	Stop the operation.
The operation switch does not work well.	Turn off the power.

If the system does NOT operate properly except for the above mentioned cases and none of the above mentioned malfunctions is evident, investigate the system in accordance with the following procedures.

Malfunction	Measure
If the system does not operate at all.	<ul style="list-style-type: none"> • Check if there is no power failure. Wait until power is restored. • Check if no fuse has blown or breaker is activated. Change the fuse or reset the breaker if necessary.
The system operates but cooling or heating is insufficient.	<ul style="list-style-type: none"> • Check if air inlet or outlet of outdoor or indoor unit is not blocked by obstacles. Remove any obstacles and make sure the air can flow freely. • Check if the air filter is not clogged (see "13.3.1 To clean the air filter" ▶ 17)). • Check the temperature setting. • Check the fan speed setting on your user interface. • Check for open doors or windows. Close doors and windows to prevent wind from coming in. • Check if there are too many occupants in the room during cooling operation. Check if the heat source of the room is excessive. • Check if direct sunlight enters the room. Use curtains or blinds. • Check if the air flow angle is proper.

If after checking all above items, it is impossible to fix the problem yourself, contact your installer and state the symptoms, the complete model name of the unit (with manufacturing number if possible) and the installation date.

14.1 To solve the problems with your fan coil unit

Your fan coil unit does not function

If your fan coil unit does not function:

Check:	If yes,
Has the fan coil unit been switched OFF ?	Switch the fan coil unit ON .
Is there a power failure?	Restore the power supply.
Has the circuit breaker (fuse) been tripped?	Contact your installer or service company.

Your fan coil unit does not cool or heat well

If your fan coil unit does not cool or heat well:

Check:	If yes,
Is there an obstacle near the air inlet or air outlet?	Remove the obstacle.
Are any doors and windows open?	Close doors and windows.
Is the fan coil unit running at low speed ?	Select medium speed or high speed .
Are the air filters dirty?	Contact your installer or service company.

Your fan coil unit leaks water

Shut down the unit and contact your installer or service company.

When your fan coil unit does not function well, you can try to solve any problem with the corrective actions in this chapter.

If the problem persists or is not addressed in this chapter, contact your installer or service company.

14.2 Relocation

Contact your dealer to remove and reinstall the entire unit. Moving units requires technical expertise.

15 Disposal

- Units are marked with the following symbol:



This means that electrical and electronic products may NOT be mixed with unsorted household waste. Do NOT try to dismantle the system yourself: dismantling the system, treatment of the refrigerant, of oil and of other parts MUST be done by an authorised installer and MUST comply with applicable legislation.

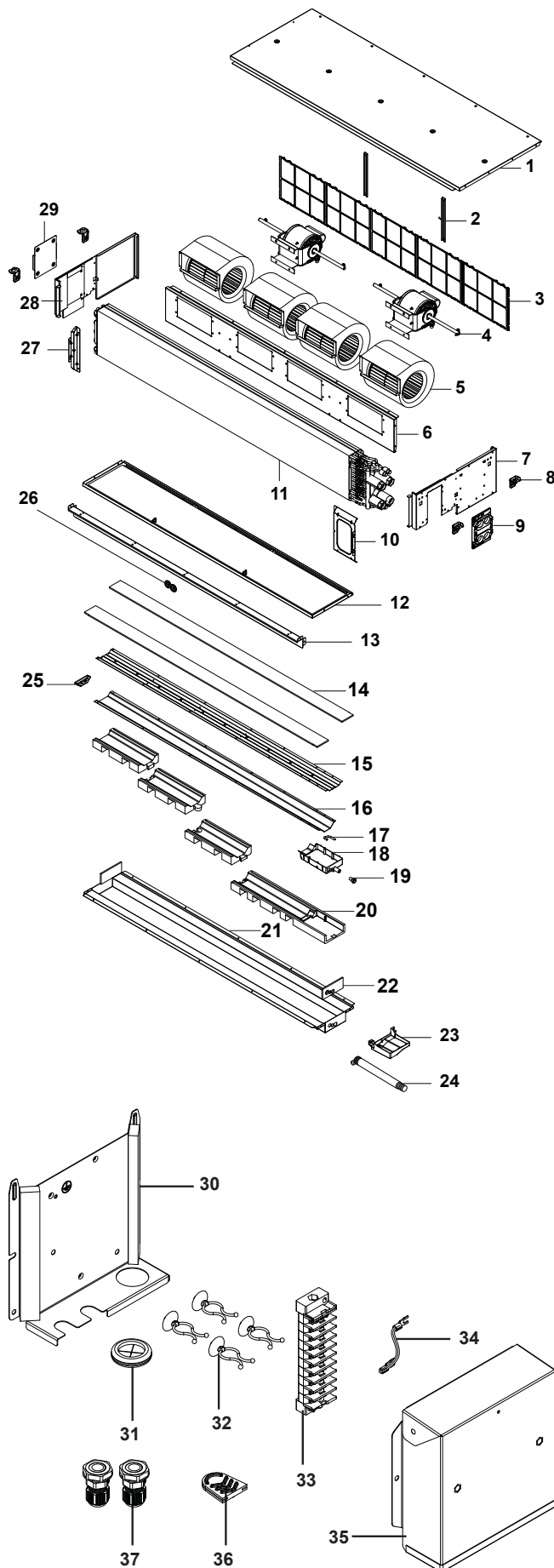
Units MUST be treated at a specialised treatment facility for reuse, recycling and recovery. By ensuring this product is disposed of correctly, you will help to prevent potential negative consequences for the environment and human health. For more information, contact your installer or local authority.

NOTICE

Do NOT try to dismantle the system yourself: dismantling of the system, treatment of the refrigerant, oil and other parts MUST comply with applicable legislation. Units MUST be treated at a specialised treatment facility for reuse, recycling and recovery.

After installation, the installer is obliged to verify correct operation. In case something is wrong with the unit and it does not operate, contact your local dealer.

Use the proper tool to remove the screws. The product can be disassembled as shown below.



16 Technical data

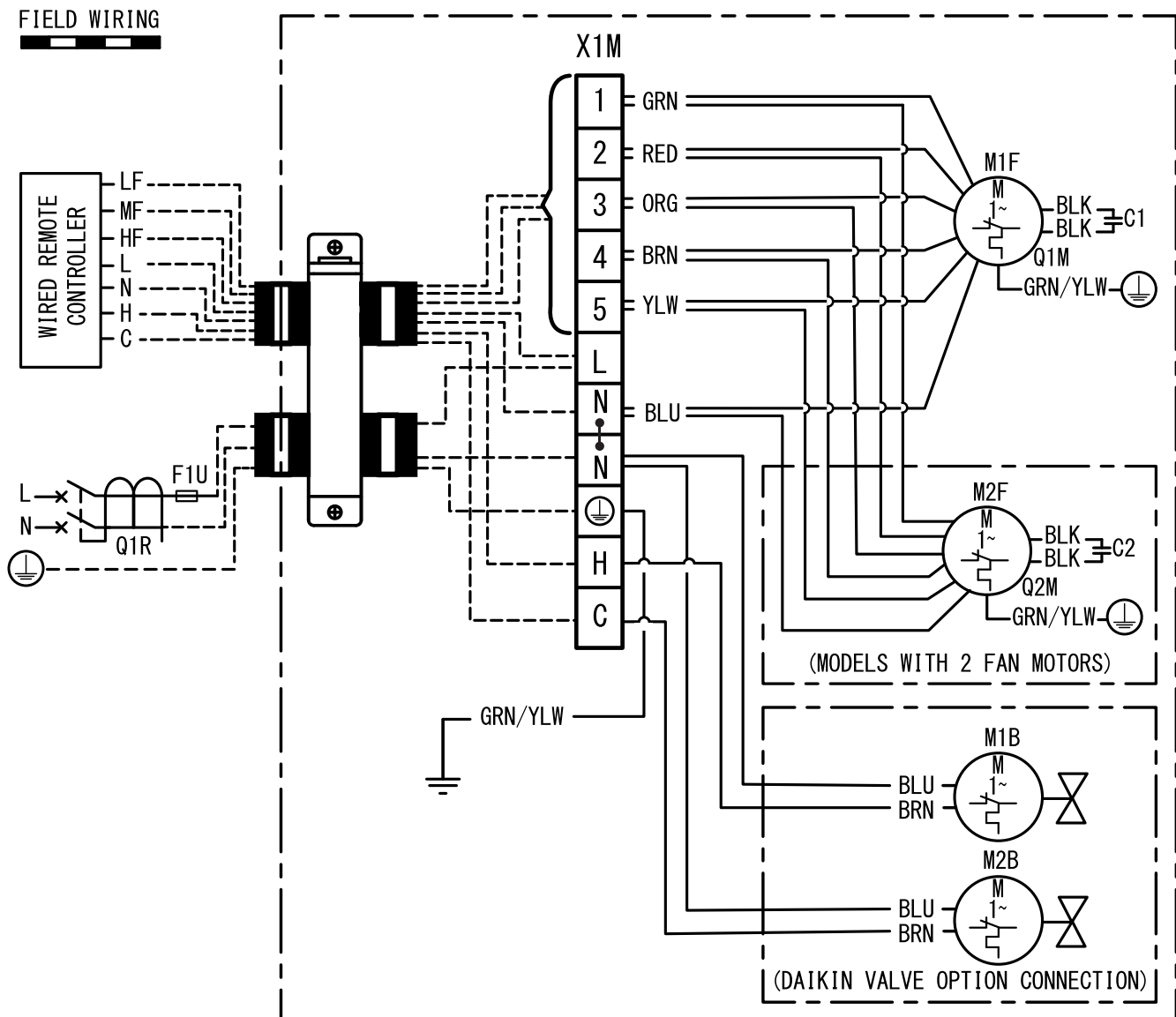
Materials	Item
Electrical part (fan motor + capacitor)	4
Aluminium (fin) + copper (tube) + galvanised steel (plate) + brass + plastic foam	11
Plastic	9, 18, 23, 24, 32, 37
Plastic foam	14, 22

Materials	Item
Plastic + metal	33, 34
Plastic (frame) + plastic (net)	3
Galvanised steel	2, 5, 6, 8, 13, 15, 16, 21, 27
Galvanised steel + plastic foam	1, 7, 10, 12, 28, 29, 30, 35
Rubber	19, 25 26 31 36
EPP	20
Copper	17

16 Technical data

A **subset** of the latest technical data is available on the regional Daikin website (publicly accessible). The **full set** of the latest technical data is available on the Daikin Business Portal (authentication required).


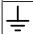
16.1 Wiring diagram



Legend for wiring diagrams:

C1, C2	Capacitor
F1U	Field fuse
M1F, M2F	Fan motor
M1B	Heating actuator
M2B	Cooling actuator

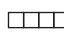

Q1M, Q2M	Thermal protector
Q1R	Earth leakage breaker
X1M	Terminal strip
L	Live
N	Neutral
1	Lowest speed

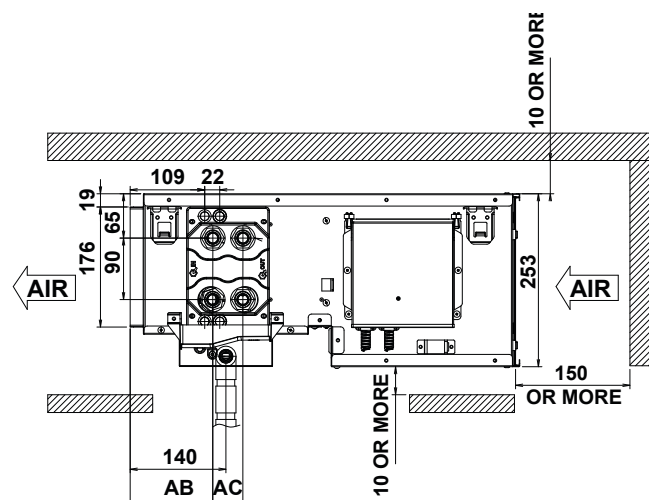
5	Highest speed
H	Heating valve
C	Cooling valve
LF	Low fan speed
MF	Medium fan speed
HF	High fan speed
	Protective earth
	Earth

Colours:

BLK	Black
BLU	Blue
BRN	Brown
GRN	Green
ORG	Orange
RED	Red
YLW	Yellow

Notes:

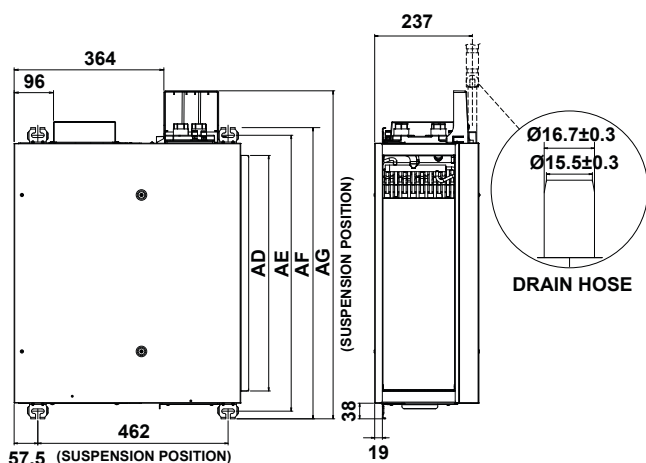
- 1 : Terminal block :: : Field wiring.
- 2 Refer to installation manual for power requirement



MODEL	AB	AC
FWE04&05&06&08&10&12F	118	50
FWE14&16&20&24F	121	44

16.2 Dimensions

Overview



MODEL	AD	AE	AF	AG
FWE04&05 &06F	572	670	707	797
FWE08&10 &12F	877	975	1012	1102
FWE14&16 F	1187	1285	1322	1412
FWE20&24 F	1487	1585	1622	1712

17 Information requirements for ecodesign

P rated,c	P rated,c	P rated,h	P elec	L wa
(GB) Cooling capacity (sensible) (D) Kühlleistung (sensibel) (F) Puissance de rafraîchissement (sensible) (NL) Koelcapaciteit (voelbaar) (E) Capacidad de refrigeración (sensible) (E) Capacitat de refrigerament (sensible) (GR) Απρόδοση ψύξης (αυτοψύξη) (P) Capacidade de arrefecimento (sensible) (TR) Soğutma kapasitesi (duyarlı) (BG) Хладнопроизводителност (сенна) (S) Kyliningskapacitet (känslig) (N) Avkjølingskapasitet (følbart) (CZ) Chladicí výkon (citelný) (HR) Kapacitet hlađenja (osjetljivo) (H) Hűtési teljesítmény (érzékeny) (RO) Capacitate de răcire (fără dezumidificare) (SD) Моќ хлађења (запаљна) (SK) Kapacita chladenia (učelná) (ES) Capacidad de refrigeración (sensible) (PL) Wydajność chłodnicza (ławna) (DK) Kølekapacitet (mørkbart) (FIN) Jäähdytyskapasiteetti (järkevä) (EST) Jahutusvõimsus (mõeldukas) (LV) Dzesāšanas kapacitāte (jūtama) (LT) Vėsinimo galia (tikroji) (AL) Kapaciteti i ftohjes (sensibël) (SRB) Kapacitet hlađenja (opipljiv)	(GB) Cooling capacity (latent) (D) Kühlleistung (latent) (F) Puissance de rafraîchissement (latente) (NL) Koelcapaciteit (latent) (E) Capacidad de refrigeración (latente) (E) Capacitat de refrigerament (latente) (GR) Απρόδοση ψύξης (αδρανομοία) (P) Capacidade de arrefecimento (latente) (TR) Soğutma kapasitesi (gizli) (BG) Хладнопроизводителност (скрыта) (S) Kyliningskapacitet (latent) (N) Avkjølingskapasitet (latent) (CZ) Chladicí výkon (latentní) (HR) Kapacitet hlađenja (latentno) (H) Hűtési teljesítmény (látens) (RO) Capacitate de răcire (cu dezumidificare) (SD) Моќ хлађења (латентна) (SK) Kapacita chladenia (latentná) (ES) Capacidad de refrigeración (latente) (PL) Wydajność chłodnicza (utajona) (DK) Kølekapacitet (skjult) (FIN) Jäähdytyskapasiteetti (latentti) (EST) Jahutusvõimsus (latentne) (LV) Dzesāšanas kapacitāte (latentā) (LT) Vėsinimo galia (latentinė) (AL) Kapaciteti i ftohjes (në gjenjje gjumi) (SRB) Kapacitet hlađenja (latentan)	(GB) Heating capacity (D) Heizleistung (F) Puissance de chauffage (NL) Verwarmingscapaciteit (E) Capacidad de calefacción (E) Capacitat de riscaldament (GR) Απρόδοση θέρμανσης (P) Capacidade de aquecimento (TR) Isıtma kapasitesi (BG) Топлопроизводителност (S) Värmekapacitet (N) Oppvarmingskapasitet (CZ) Topný výkon (HR) Kapacitet grijanja (H) Fűtési teljesítmény (RO) Capacitate de încălzire (SD) Моќ огревања (SK) Výkon ohrevu (ES) Capacidad de calefacción (latente) (PL) Wydajność grzewcza (DK) Varmekapacitet (FIN) Lämmitysvoima (EST) Küttevõimsus (LV) Apsildes kapacitāte (LT) Šildymo galia (AL) Kapaciteti i ngrohjes (SRB) Kapacitet grijanja	(GB) Total electric power input (D) Elektrische Gesamtleistungsaufnahme (F) Entrée électrique totale (NL) Totaal opgenomen vermogen (E) Potencia eléctrica de entrada total (E) Potencia eléctrica total asorbida (GR) Συνολική ηλεκτρική ισχύς εισόδου (P) Entrada de potência elétrica total (TR) Sektiren toplam elektrik gücü (BG) Общ електрообемляема электрическа мощност (S) Total effektingång (N) Total elektrisk strømeffekt (CZ) Celkový elektrický příkon (HR) Ukupna primljena snaga električne energije (H) Teljes áramforrás-bemenet (RO) Consum total de putere (SD) Skupna vhodna električna moč (SK) Celkový elektrický príkon (ES) Potencia eléctrica de entrada total (PL) Całkowita pobierana energia elektryczna (DK) Total elektrisk strømforsyning (FIN) Sähkötehon kokonaistulo (EST) Kogu elektriline sisendvõimsus (LV) Kopējā elektriskā ieejas jauda (LT) Bendroji elektros vartojamoji galia (AL) Konsumi total i energjisë elektrike (SRB) Ukupna ulazna električna snaga	(GB) Sound power level (per speed setting, if applicable) (D) Schalleistungspegel (je Geschwindigkeitsstellung, falls zutreffend) (F) Niveau de puissance sonore (par réglage de vitesse, le cas échéant) (NL) Geluidsvormogeniveau (per snelheidsinstelling, indien van toepassing) (E) Nivel de potencia acústica (según ajuste de velocidad, si corresponde) (E) Livello di potenza sonora (per velocità impostata, se applicabile) (GR) Επίπεδο ηχητικής ισχύος (ανάρθεση ταχύτητας, εφόσον διατίθεται) (P) Nivel de potencia acústica (por regulación de velocidad, se aplicável) (TR) Ses gücü seviyesi (mümkünse hız ayarına) (BG) Уroveň звукового давления (споредно настроите скорост, если применимо) (S) Ljudeffektnivå (per hastighetsinställning, om tillämpligt) (N) Nivå på lydeffekt (per hastighetsinnstilling, hvis tilgjengelig) (CZ) Hladina akustického výkonu (dle nastavení otáček pokud je to použitelné) (HR) Razina jačine zvuka (postavka prema brzini, ako je primjenljivo) (H) Hangerőszint (sebességszintenként, ha alkalmazható) (RO) Nivel presiune sonoră (în funcție de turajate, dacă este cazul) (SD) Raveen zvočne moči (glede na nastavitev hitrosti, če se uporablja) (SK) Úroveň akustického tlaku (na príslušné nastavenie rýchlosti, ak sa používa) (ES) Nivel de potencia acústica (por configuración de velocidad, si corresponde) (PL) Poziom moc dźwięku (dla ustawienia prędkości, jeśli dotyczy) (DK) Støjniveau (efter hastighedsindstilling hvis relevant) (FIN) Äänen tehotaso (nopeusasetuksen mukaan, jos sovellettavissa) (EST) Helivõimsuse tase (võimalusel olemvalt määratud kiirusest) (LV) Skanrs intensitātes līmenis (attiecīgā gadījumā – katram ātruma iestatījumam) (LT) Garso galios lygis (vienai greičio nuostatai, jei taikytina) (AL) Niveli i fuqisë së tingullit (për cilësimin shpejtësie, nëse aplikohet) (SRB) Nivo zvučne snage (po podešenoj brzini, ako je primenljivo)

P rated,c	P rated,c (latent)	P rated,h	P elec	L wa
FWE04FF				
FWE05FF		FWE04FT	1.8	52
FWE06FF		FWE05FT	2.1	53
FWE08FF		FWE06FT	2.7	61
FWE10FF		FWE08FT	3.6	55
FWE12FF		FWE10FT	3.8	57
FWE14FF		FWE12FT	4.3	60
FWE16FF		FWE14FT	5.6	61
FWE20FF		FWE16FT	6.4	64
FWE24FF		FWE20FT	8.6	60
		FWE24FT	9.9	64
			2.1	64

Inhaltsverzeichnis

1 Über die Dokumentation	23
1.1 Informationen zu diesem Dokument.....	23
1.2 Bedeutung der Warnhinweise und Symbole	24
1.3 Allgemeines.....	24
2 Besondere Sicherheitshinweise für Installateure	24
Für den Installateur 25	
3 Über das Paket	25
3.1 Ventilator-Konvektor auspacken und handhaben	25
3.2 Zubehör vom Ventilator-Konvektor entfernen	26
4 Über die Einheiten und Optionen	26
4.1 Identifikation	26
4.1.1 Typenschild: Ventilator-Konvektor	26
5 Installation der Einheit	26
5.1 Den Ort der Installation vorbereiten	26
5.2 Austauschbarkeit.....	27
5.3 Montage der Einheit	28
5.3.1 Tragbolzen installieren.....	28
5.3.2 Montagearbeiten an der Einheit.....	28
5.4 Installation der Wasserrohre	29
5.4.1 Vorbereiten der Wasserleitungen	29
5.4.2 Anschließen der Wasserleitungen	29
5.5 Installation der Abflussrohre.....	30
5.5.1 Leitlinien zur Installation des Abflussrohrs.....	30
5.5.2 Abflussrohr anschließen	31
5.6 Installation optionaler Ausstattung	32
5.6.1 Optionaler Ausstattung vorbereiten	32
5.6.2 Optionale Ausstattung anschließen	32
6 Elektroinstallation	32
6.1 Vorbereiten der Elektroinstallation	32
6.2 Anschließen der elektrischen Leitungen	33
7 Inbetriebnahme	34
7.1 Checkliste vor Inbetriebnahme.....	34
Für den Benutzer 34	
8 Sicherheitshinweise für Benutzer	34
8.1 Instruktionen für sicheren Betrieb.....	34
9 Über das System	35
10 Vor der Inbetriebnahme	35
11 Betrieb	36
11.1 Betriebsbereich	36
12 Energie sparen und optimaler Betrieb	36
13 Wartung und Service	36
13.1 Sicherheitsvorkehrungen für die Wartung	36
13.2 Sicherheitsvorkehrungen bei Wartung und Service	36
13.3 Luftfilter, Ansauggitter, Luftauslass und Außenblenden reinigen.....	37
13.3.1 Luftfilter reinigen	37
13.4 Wartung nach einer langen Ausschaltzeit.....	37
13.5 Wartung vor langer Betriebspause.....	37
13.6 Kundendienst und Garantie.....	38
13.6.1 Empfohlene Wartung und Inspektion.....	38
13.6.2 Verkürzte Wartungs- und Austauschzyklen	38

14 Fehlerdiagnose und -beseitigung	38
14.1 Probleme bei Gebläsekonvektor entfernen.....	39
14.2 Veränderung des Installationsortes.....	39
15 Entsorgung	39
16 Technische Daten	40
16.1 Elektroschaltplan	41
16.2 Abmessungen	42
17 Erforderliche Daten für Eco-Auslegung	43

1 Über die Dokumentation

1.1 Informationen zu diesem Dokument



WARNUNG

Dieses Gerät kann von folgenden Personengruppen benutzt werden: Kinder ab einem Alter von 8 Jahren, Personen mit eingeschränkten körperlichen, sensorischen oder geistigen Fähigkeiten oder Personen mit mangelhafter Erfahrung oder Wissen, wenn sie darin unterwiesen worden sind, wie das Gerät ordnungsgemäß zu verwenden und zu bedienen ist und welche Gefahren es gibt.

Kinder dürfen das Gerät NICHT als Spielzeug benutzen.

Kinder dürfen NICHT Reinigungs- oder Wartungsarbeiten durchführen, es sei denn, sie werden beaufsichtigt.

Zielgruppe

Autorisierte Installateure + Endbenutzer



INFORMATION

Dieses Gerät ist für die Verwendung in gewerblichen, industriellen oder geschäftlichen Umgebungen vorgesehen.

Dokumentationssatz

Dieses Dokument ist Teil eines Dokumentationssatzes. Der vollständige Satz besteht aus:

- **Allgemeine Sicherheitshinweise:**

- Vor der Installation zu lesende Sicherheitshinweise
- Format: Papier (in der Box der Inneneinheit)

- **Inneneinheit-Installation und Betriebsanleitung:**

- Installations- und Betriebsanleitung
- Format: Papier (in der Box der Inneneinheit)
- Format: Digitale Dateien unter <https://www.daikin.eu>. Verwenden Sie die Suchfunktion 🔍, um Ihr Modell zu finden.

Die jüngste Überarbeitung der gelieferten Dokumentation ist möglicherweise verfügbar auf der regionalen Website von Daikin oder bei Ihrem Fachhändler.

Das Original der Anleitung ist in Englisch geschrieben. Bei den Anleitungen in anderen Sprachen handelt es sich um Übersetzungen des Originals.

Technische Konstruktionsdaten

- Ein **Teil** der jüngsten technischen Daten ist verfügbar auf der regionalen Website Daikin (öffentlich zugänglich).
- Der **vollständige Satz** der jüngsten technischen Daten ist verfügbar auf dem Daikin Business Portal (Authentifizierung erforderlich).

2 Besondere Sicherheitshinweise für Installateure

1.2 Bedeutung der Warnhinweise und Symbole



GEFAHR

Weist auf eine Situation hin, die zum Tod oder schweren Verletzungen führt.



GEFAHR: STROMSCHLAGGEFAHR

Weist auf eine Situation hin, die zu einem tödlichen Stromschlag führen könnte.



GEFAHR: GEFAHR DURCH VERBRENNEN ODER VERBRÜHEN

Weist auf eine Situation hin, die aufgrund extremer Hitze oder Kälte zu Verbrennungen / Verbrühungen führen kann.



WARNUNG

Weist auf eine Situation hin, die zum Tod oder zu schweren Verletzungen führen könnte.



VORSICHT

Weist auf eine Situation hin, die zu leichten oder mittelschweren Körperverletzungen führen kann.



HINWEIS

Weist auf eine Situation hin, die zu Sachschäden führen kann.



INFORMATION

Weist auf nützliche Tipps oder zusätzliche Informationen hin.

Symbole auf der Einheit:

Symbol	Erklärung
	Lesen Sie vor der Installation erst die Installations- und Betriebsanleitung sowie die Verkabelungsinstruktionen.

1.3 Allgemeines

Wenn Sie sich bezüglich der Installation oder Bedienung des Gerätes NICHT sicher sind, wenden Sie sich an Ihren Händler.



WARNUNG

Unsachgemäßes Installieren oder Anbringen des Gerätes oder von Zubehörteilen kann zu Stromschlag, Kurzschluss, Leckagen, Brand und weiteren Schäden führen. Verwenden Sie NUR von Daikin hergestellte oder zugelassene Zubehörteile, optionale Ausrüstungen und Ersatzteile, es sei denn, etwas anderes ist angegeben.



WARNUNG

Stellen Sie sicher, dass die Installation, die Tests und die verwendeten Materialien der gültigen Gesetzgebung entsprechen (zusätzlich zu den in der Daikin Dokumentation aufgeführten Anweisungen).



VORSICHT

Bei der Installation, Wartung oder Instandhaltung des Systems angemessene persönliche Schutzausrüstung tragen (Schutzhandschuhe, Schutzbrille...).



WARNUNG

Entfernen und entsorgen Sie Kunststoffverpackungen unzugänglich für andere Personen und **INSBESONDERE** Kinder. **Mögliche Folge:** Erstickung.



WARNUNG

Treffen Sie geeignete Maßnahmen, um zu verhindern, dass das Gerät von Kleinlebewesen als Unterschlupf verwendet wird. Kleinlebewesen, die in Kontakt mit elektrischen Teilen kommen, können Funktionsstörungen, Rauchbildung oder Feuer verursachen.



VORSICHT

Berühren Sie NIEMALS den Lufteintritt oder die Aluminiumlamellen des Geräts.



VORSICHT

- KEINE Gegenstände oder Geräte oben auf der Einheit ablegen.
- NICHT auf die Einheit steigen oder auf ihr sitzen oder stehen.



GEFAHR: STROMSCHLAGGEFAHR

- Achten Sie darauf, dass das System korrekt geerdet wird.
- Schalten Sie erst die Stromzufuhr ab, bevor Sie Wartungsarbeiten vornehmen.
- Erst die Abdeckung des Schaltkastens installieren, bevor Sie die Stromversorgung einschalten.



VORSICHT

- Prüfen Sie, ob der Platz der Installation tragfähig genug ist, um das Gewicht der Einheit zu tragen. Eine mangelhafte Installation ist gefährlich. Es können auch Vibrationen dadurch verursacht werden oder ungewöhnliche Betriebsgeräusche.
- Achten Sie darauf, dass genügend Platz für Wartungsarbeiten ist.
- Die Einheit NICHT so installieren, dass sie Kontakt mit der Decke oder einer Wand hat, weil dadurch Vibrationen entstehen können.



GEFAHR: STROMSCHLAGGEFAHR

Die Ventilator-Konvektoren NICHT mit feuchten Händen berühren. Sonst besteht Stromschlaggefahr.



WARNUNG

In diesem Gerät sind Teile, die unter Strom stehen oder die heiß sein können.



WARNUNG

Bei Beschädigungen des Stromversorgungskabels MUSS dieses vom Hersteller, dessen Vertreter oder einer entsprechend qualifizierten Fachkraft ausgewechselt werden, um Gefährdungsrisiken auszuschließen.

2 Besondere Sicherheitshinweise für Installateure

Beachten Sie stets die folgenden Sicherheitshinweise und Vorschriften.



WARNUNG

Darauf achten, dass Installation, Servicearbeiten, Wartungsarbeiten und Reparaturen NUR von entsprechend autorisierten Fachleuten gemäß den Instruktionen in Daikin und gemäß den vor Ort geltenden gesetzlichen Vorschriften (z. B. den landesweit geltenden Gas-Vorschriften) ausgeführt werden.

! WARNUNG

Die Installation muss von einer Fachkraft durchgeführt werden. Die Auswahl der Materialien und die Installation müssen den gesetzlichen Vorschriften entsprechen. In Europa ist die Norm EN378 zu erfüllen.

! WARNUNG

Achten Sie darauf, dass sich Verbindungskabel nicht in unmittelbarer Nähe von nicht-thermoisolierten Kupferrohren befinden, weil solche Rohre sehr heiß werden können.

! VORSICHT

Bei Wänden, die einen Metallrahmen oder eine Metallplatte enthalten, benutzen Sie eine in die Wand eingebettete Rohrleitung mit einer Wandabdeckung bei der Wanddurchführungsöffnung, damit keine Hitze, Stromschlaggefahr oder Brandgefahr entstehen können.

! HINWEIS

- Die Rohrleitungen müssen sicher montiert und vor physischen Schäden geschützt sein.
- Rohrleitungen sollten so wenig wie möglich verlegt werden.

! WARNUNG

- Im Inneren des Produkts KEINE vor Ort gekauften elektrischen Teile verwenden.
- Die Stromversorgungsleitung für das Ventil usw. NICHT von der Klemmleiste abzweigen. Es besteht sonst Stromschlag- oder Brandgefahr.

Für den Installateur

3 Über das Paket

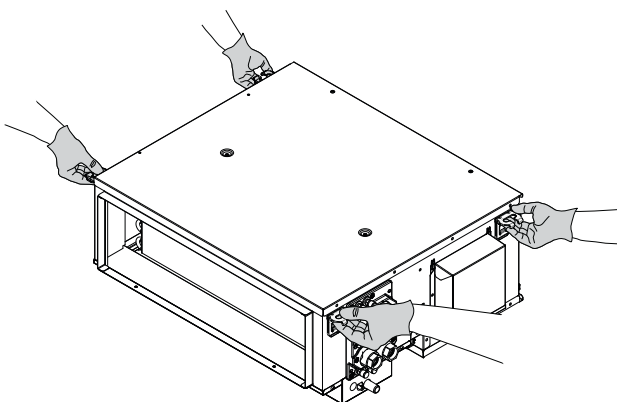
Beachten Sie Folgendes:

- Bei Auslieferung MUSS die Einheit auf Beschädigungen und Vollständigkeit überprüft werden. Beschädigungen oder fehlende Teile MÜSSEN unverzüglich dem Schadensreferenten der Spedition mitgeteilt werden.
- Bringen Sie das verpackte Gerät so nahe wie möglich an den endgültigen Aufstellungsort, um eine Beschädigung während des Transports zu vermeiden.
- Bereiten Sie im Voraus den Weg vor, auf welchem die Einheit am besten zum Installationsort gebracht werden kann.

3.1 Ventilator-Konvektor auspacken und handhaben

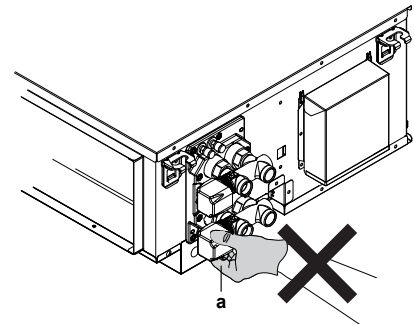
Zum Anheben der Einheit einen Hebegurt aus weichem Material verwenden, oder Sie benutzen Schutzplatten zusammen mit einem Seil. Sonst könnte die Einheit beschädigt oder außen zerkratzt werden.

- Halten Sie die Einheit zum Anheben an der Aufhängung, ohne Druck auf andere Bauteile auszuüben. Dies gilt besonders für die Ablassrohre und Wärmeisolierungen.



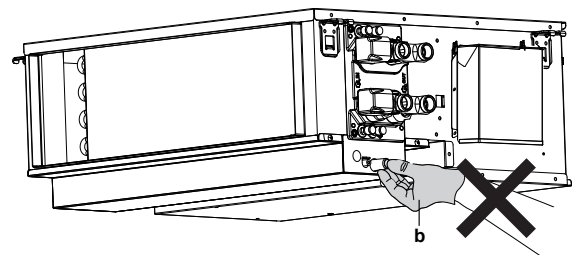
! HINWEIS

Die Einheit NICHT an den Ventilantrieben anheben (a).



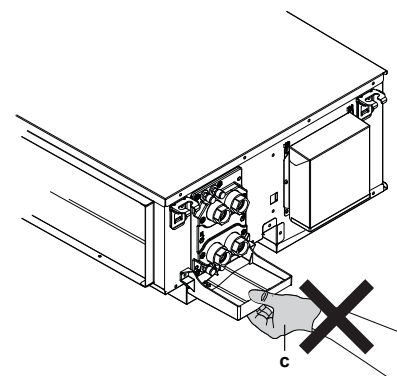
! HINWEIS

Die Einheit NICHT an den Ablaufstutzen anheben (b).



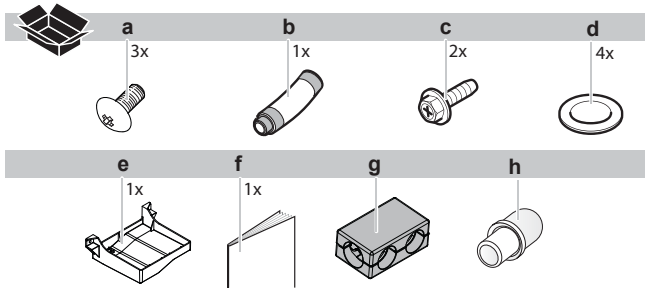
! HINWEIS

Die Einheit NICHT an Ventilantrieben anheben (c).



4 Über die Einheiten und Optionen

3.2 Zubehör vom Ventilator-Konvektor entfernen



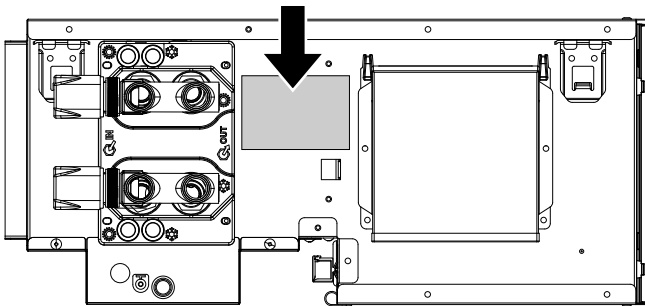
- a Schraube M4 für Bodenwanne 2x und Abflussschlauch 1x
- b Abflussschlauch 1x
- c Schraube M5 für FWECAP 2x
- d Dichtung 4x
- e Unter-Ablaufwanne 1x
- f Installations- und Betriebsanleitung 1x
- g Thermoisolierung für Ventile (2 Röhre: 1x und 4 Röhre: 2x) (*)
- h Bördelecke 1x
- * Nur Modelle mit werksseitig montiertem Ventil

4 Über die Einheiten und Optionen

4.1 Identifikation

4.1.1 Typenschild: Ventilator-Konvektor

Ort



Modellkennung

Beispiel: FW E 04 F A T N 5 V3 --

Code	Beschreibung
FW	Wasser-Gebläsekonvektor
E	Kanal niedriges ESP
F	Wichtige Modellreihen
A	Kleinere Modelländerung
T	2-Rohr
F	4-Rohr
N	Ohne Ventil
V	3Wege-Ventil (ON/OFF - 230 V)
T	2Wege-Ventil (ON/OFF - 230 V)
5	Hendek Werk
V1	1 Ph / 50 Hz / 220-240 V
-	Keine Option
-	Wasser links, elektrischer Anschluss links
R	Wasser rechts, elektrischer Anschluss rechts

5 Installation der Einheit

5.1 Den Ort der Installation vorbereiten



WARNUNG

Verwenden Sie **IMMER** nicht brennbare Kanäle, Wärmedämmungen und Kupplungen; brennbare Materialien können einen Brand verursachen.



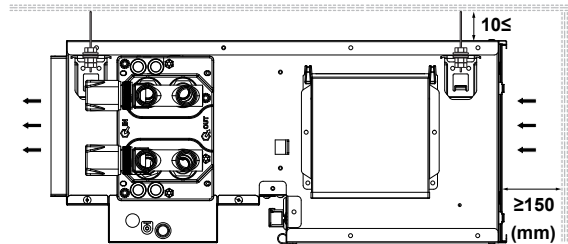
HINWEIS

Die Einheit muss mit einem Abstand von $\geq 2,5$ m vom Boden installiert werden.



HINWEIS

Der Abstand zwischen Decke und Einheit sollte ≥ 10 mm betragen, der Ansaugabstand ≥ 150 mm.



INFORMATION

Der Schalldruckpegel liegt unter 70 dBA.



VORSICHT

Das Gerät darf **NICHT** für die Allgemeinheit zugänglich sein. Installieren Sie es in einem gesicherten Bereich, wo nicht leicht darauf zugegriffen werden kann.

Diese Einheit eignet sich für die Installation in geschäftlichen und gewerblichen Umgebungen.



HINWEIS

Wenn eine Installation von unten **NICHT** möglich ist, z. B. bei sehr hohen Decken, sollte der Zugang zum Gerät für die Installation und Wartung von oben von der Decke aus möglich sein.

Wählen Sie einen Installationsort, der die folgenden Bedingungen erfüllt und der den Anforderungen des Kunden entspricht.

- Für Wartungs- und Servicearbeiten sind ausreichend Abstände um die Einheit herum vorhanden. Der Raum um die Einheit herum erlaubt eine ausreichende Luftzirkulation und Luftverteilung. Siehe Platzbedarf für die Installation.
- Stellen Sie sicher, dass der Installationsort ausreichend belüftet ist. Blockieren Sie **KEINE** Lüftungsöffnungen.
- Stellen Sie sicher, dass der Installationsort dem Gesamtgewicht und den Vibrationen des Geräts standhält.
- Treffen Sie Vorkehrungen, damit bei einer Leckage am Installationsort und der Umgebung keine Schäden durch das Wasser entstehen können.
- Wählen Sie einen Platz aus, wo die Betriebsgeräusche oder die heiße / kalte Luft, die von der Einheit abgegeben werden, nicht stören. Auch muss der Platz den gesetzlichen Bestimmungen entsprechen.
- **Abfluss.** Stellen Sie sicher, dass das Kondenswasser ordnungsgemäß ablaufen kann.

- An Orten mit schwachem Empfang sollte ein Abstand von mindestens 3 m eingehalten werden, um elektromagnetische Störungen bei anderen Geräten zu vermeiden. Zum Verlegen von Strom- und Übertragungsleitungen verwenden Sie am besten Kabelkanäle.
- **Leuchtstoffleuchten.** Wenn Sie einen drahtlosen Fernregler (Benutzerschnittstelle) in einem Raum mit Leuchtstoffleuchten installieren, denken Sie zur Vermeidung von Interferenzen an folgende Punkte:
 - Den drahtlosen Fernregler (Benutzerschnittstelle) so nahe wie möglich an der Inneneinheit installieren.
 - Die Inneneinheit so weit wie möglich von den Leuchtstoffleuchten entfernt installieren.

Die Einheit NICHT in einem Raum installieren, der oft als Arbeitsplatz oder Werkstatt benutzt wird. Finden in der Nähe der Einheit Bauarbeiten statt (z. B. Schleifarbeiten), bei denen viel Staub entsteht, MUSS die Einheit abgedeckt werden.

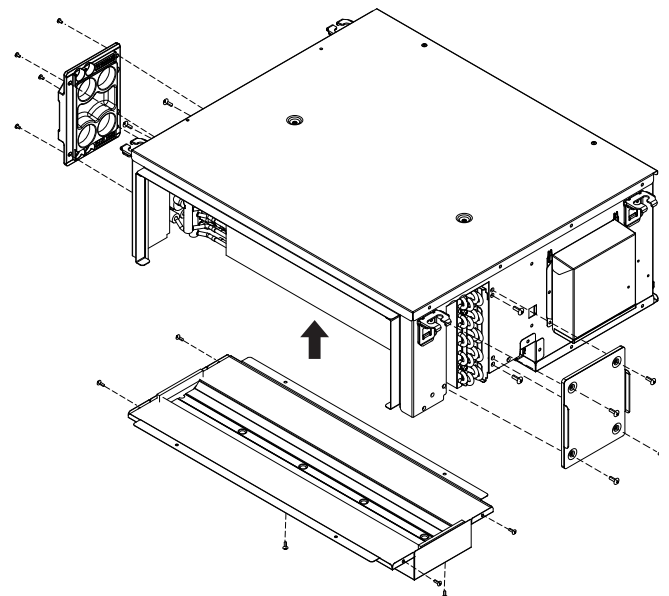
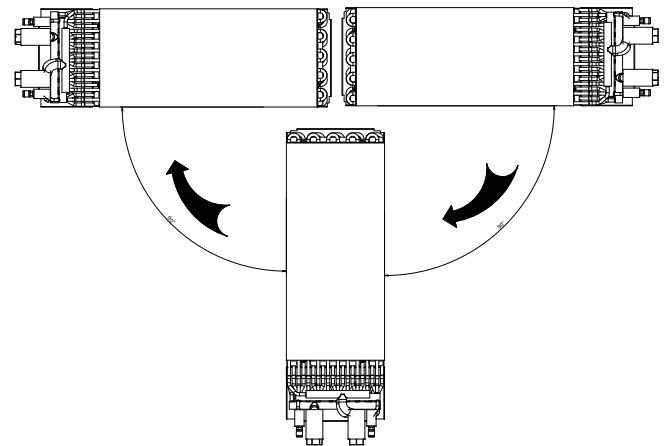
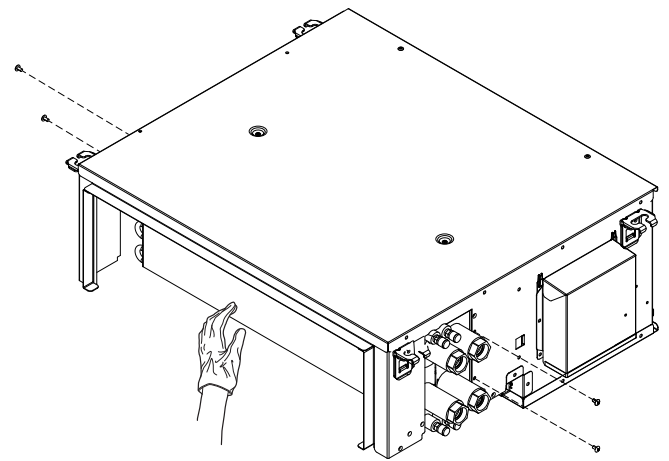
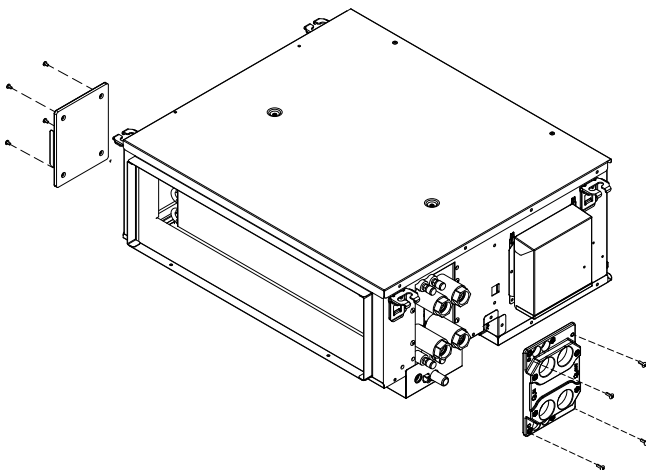
Die Einheit darf in nachfolgend aufgeführten Räumen nicht installiert oder betrieben werden.

- Räume, in denen Mineralöl gelagert wird oder in denen es Öldämpfe oder Ölspritzer gibt wie zum Beispiel in Küchen (Kunststoffteile könnten zersetzt werden).
- Räume mit ätzenden Gasen wie Schwefelgas. Kupferleitungen und gelötete Teile könnten korrodieren.
- Orte mit stark salzhaltiger Luft z. B. in Meeresnähe, sowie Standorte mit starken Spannungsschwankungen (z. B. in Fabriken). In Fahrzeugen und auf Schiffen.
- An Orten mit Geräten oder Maschinen, die elektromagnetische Wellen abstrahlen. Elektromagnetische Wellen können die Steuerung stören und zu Fehlfunktionen der Geräte führen.
- An Orten, an denen aufgrund ausströmender brennbarer Gase (Beispiel: Verdüner oder Benzin) oder in der Luft befindlicher Kohlenstofffasern oder entzündlicher Staubpartikel Brandgefahr besteht.
- Die Einheit kann NICHT in einem Badezimmer installiert werden.

5.2 Austauschbarkeit

Die Richtung des Produkts muss auf dem Boden geändert werden.

An der Seitenwand des Geräts das Abdeckblech entfernen.

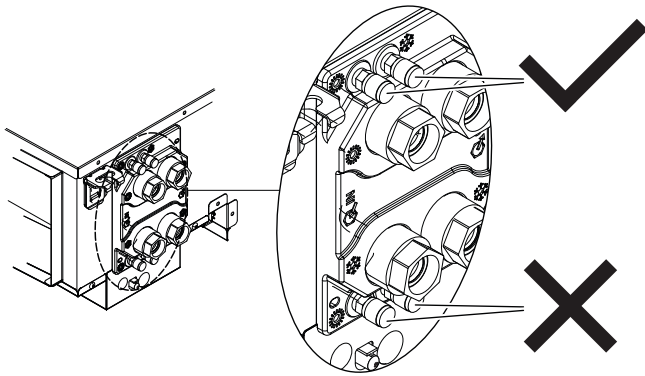


5 Installation der Einheit



HINWEIS

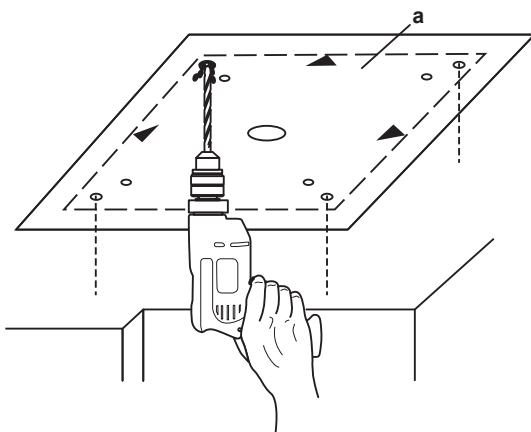
Immer obere Luftaustritte verwenden.



5.3 Montage der Einheit

5.3.1 Tragbolzen installieren

Benutzen Sie die Schablone, um die Positionen der Tragbolzen zu bestimmen (oberer Teil der Verpackung). Die Positionen der Tragbolzen sind auf der Papierschablone gekennzeichnet. Indem Sie die Papierschablone an die Decke bringen, können Sie Löcher bohren.

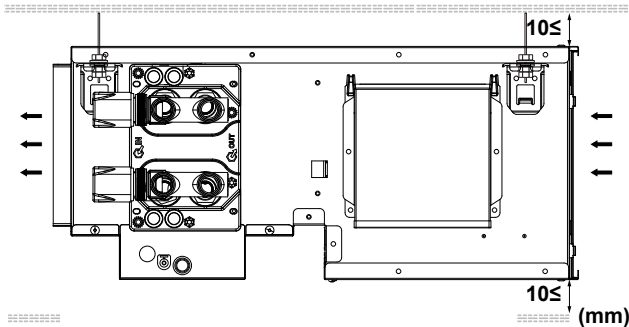


a Papierschablone für die Installation. (oberer Teil der Verpackung)

5.3.2 Montagearbeiten an der Einheit

Erstellen Sie an geeigneter Stelle eine Deckenöffnung für die Installation. Es kann notwendig sein, den Rahmen der abgehängten Decke zu verstärken, um die Decke eben zu halten und zu verhindern, dass sie schwingt.

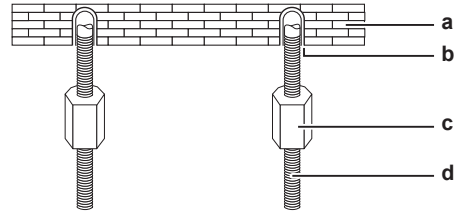
Wenden Sie sich für nähere Informationen an Ihr Bauunternehmen.



- **Deckenstärke.** Prüfen Sie, ob die Decke tragfähig genug ist, um das Gewicht der Einheit zu halten. Falls keine ausreichende Tragfähigkeit besteht, verstärken Sie die Decke vor der Installation des Geräts.

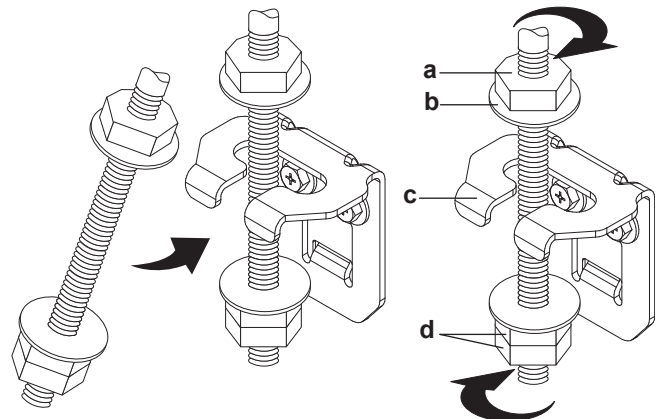
- Bei bestehenden Decken sind Anker zu verwenden.

- Bei neuen Decken sind eingelassene Gewindeinsatzbuchsen, eingelassene Anker oder andere bauseitig zu liefernde Teile zu benutzen.



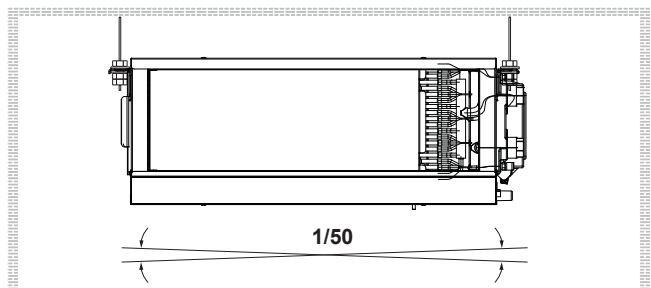
a Deckenplatte
b Anker
c Lange Mutter oder Spanschraube
d Tragbolzen

- **Tragbolzen.** Verwenden Sie M8~M10 Tragbolzen für die Installation. Befestigen Sie den Aufhängebügel am Tragbolzen. Befestigen Sie ihn sicher mit Hilfe einer Mutter und einer Unterlegscheibe an der oberen und unteren Seite des Aufhängebügels.



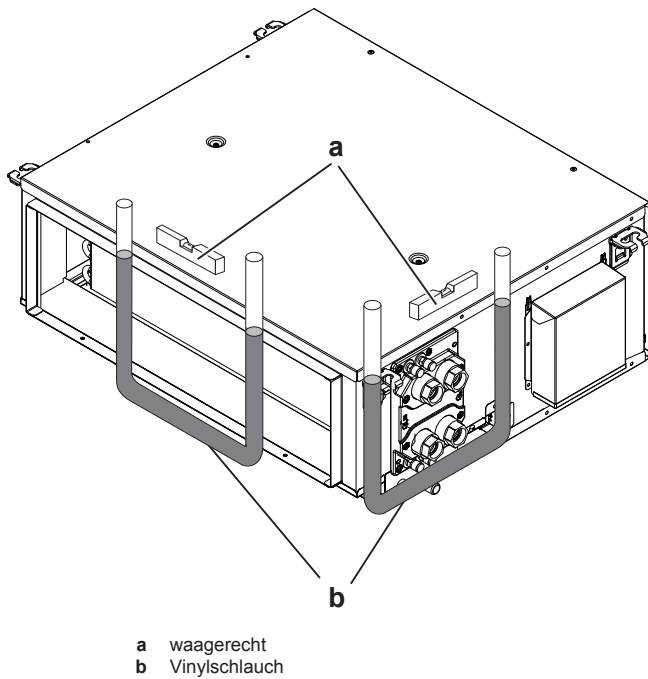
a Mutter (bauseitig zu liefern)
b Unterlegscheibe (bauseitig zu liefern)
c Aufhängebügel
d Doppelmutter (bauseitig zu liefern)

- Die Einheit so ausrichten, dass sie in der korrekten Position für die Installation ist.



- Überprüfen Sie, ob die Einheit waagrecht ausgerichtet ist.

- **Waagrecht.** Stellen Sie mit Hilfe einer Wasserwaage oder mit einem mit Wasser befüllten Vinylschlauch sicher, dass alle 4 Ecken der Einheit auf einer Ebene liegen.



HINWEIS

Die Einheit NICHT geneigt installieren. **Mögliche Folge:** Wenn die Einheit gegen die Fließrichtung des Kondenswassers geneigt ist (falls die Abflussrohrseite höher ist), kann Wasser austreten.

5.4 Installation der Wasserrohre

5.4.1 Vorbereiten der Wasserleitungen

Vor Anschließen der Wasserleitungen sind die folgenden Punkte zu überprüfen:

- Der maximale Wasserdruck beträgt 1,6 MPa.
- Die Einheit wird über ihren Wasser-Einlass und ihren Wasser-Auslass am Wasserkreislauf angeschlossen. Der Wasserkreislauf muss von einem qualifizierten Installateur angeschlossen werden und den geltenden gesetzlichen Vorschriften entsprechen.
- Die minimale Wassertemperatur beträgt 5°C.
- Die maximale Wassertemperatur beträgt 90°C.
- Achten Sie darauf, bauseitig nur Komponenten zu installieren, die dem Wasserdruck und der Temperatur standhalten.
- Sehen Sie im Wasserkreislauf die notwendigen Sicherheitsvorrichtungen vor, damit der Wasserdruck den maximal zulässigen Betriebsdruck nie übersteigt.
- Sorgen für einen ordnungsgemäßen Abfluss für das Druckentlastungsventil, damit kein Wasser zu stromführenden Teilen gelangen kann.
- Installieren Sie am Gerät Absperrventile, um die routinemäßigen Wartungsarbeiten ohne Entleeren des Systems zu ermöglichen.
- Sehen Sie an allen niedrigen Stellen des Systems Abflusshähne vor, um für Wartungszwecke eine vollständige Entleerung des Kreislaufs zu ermöglichen.
- Sehen Sie an allen hohen Stellen des Systems Entlüftungsventile vor. Diese sollten sich an leicht zugänglichen Stellen befinden.
- Rohre sind gegen physikalische Beschädigung zu schützen.



HINWEIS

Stellen Sie sicher, dass die Wasserqualität der EU-Richtlinie 2020/2184 entspricht.



HINWEIS

Die Verwendung von Glykol ist zulässig, doch die Menge sollte NICHT 40% des Volumens überschreiten. Eine im Verhältnis höhere Glykollmenge kann einige der hydraulischen Komponenten beschädigen.

5.4.2 Anschließen der Wasserleitungen



VORSICHT

Zur Regelung des Wasserkreislaufs in der Einheit sollten stets Ventile genutzt werden. Wenn der Gebläsekonvektor ausgeschaltet ist, aber weiterhin Wasser im Gerät zirkuliert, bildet sich Kondenswasser am Gerät und es kann Wasser abtropfen.



HINWEIS

Verwenden Sie beim Verbinden der Rohrleitungen KEINE übermäßige Kraft. Das könnte die Rohrleitungen verformen. Eine Verformung der Rohrleitungen kann zur Fehlfunktion der Einheit führen.

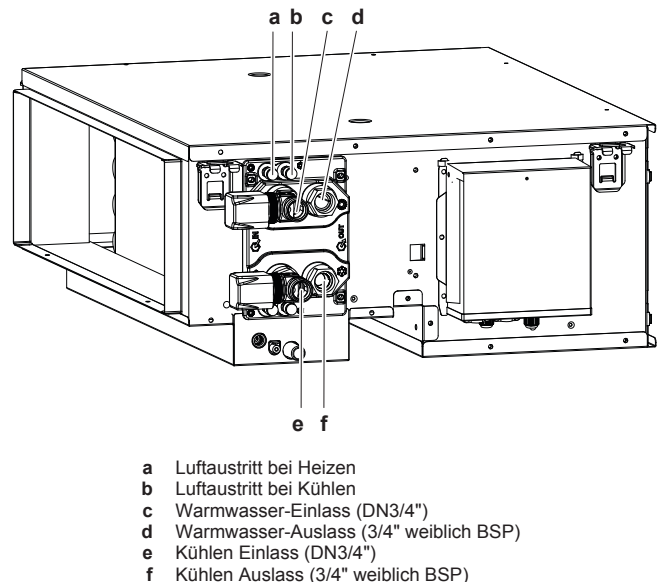
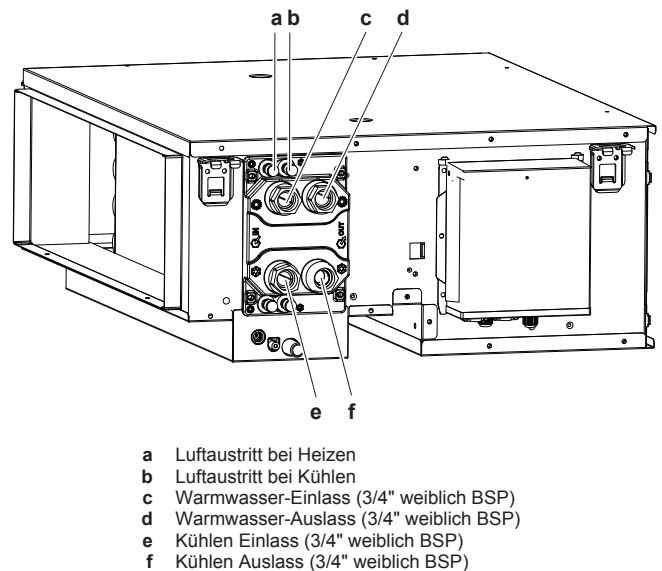


HINWEIS

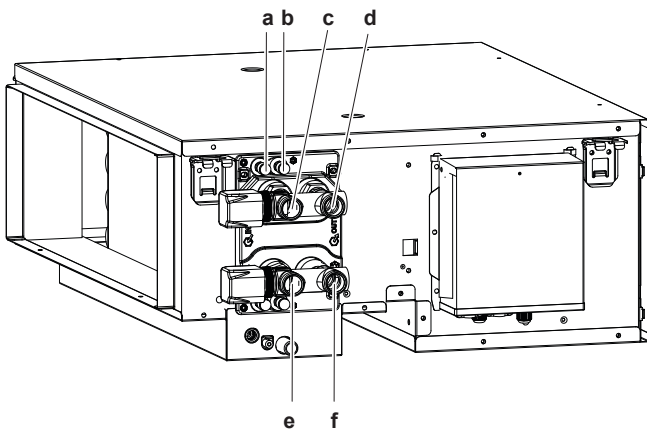
Achten Sie darauf, dass alle Rohre isoliert werden. An jeder frei liegenden Rohrleitung könnte Feuchtigkeit kondensieren.



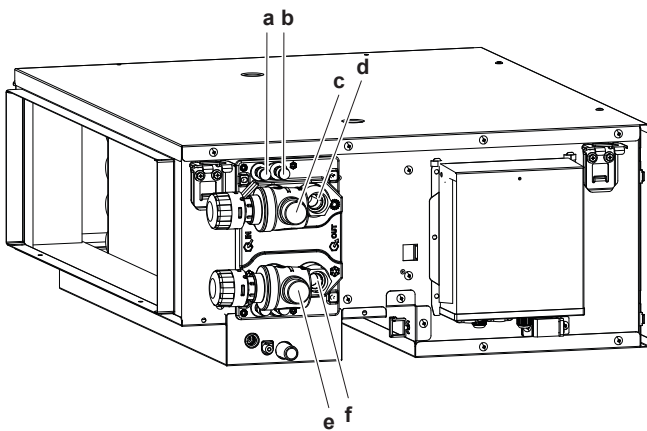
GEFAHR: GEFAHR DURCH VERBRENNEN ODER VERBRÜHEN



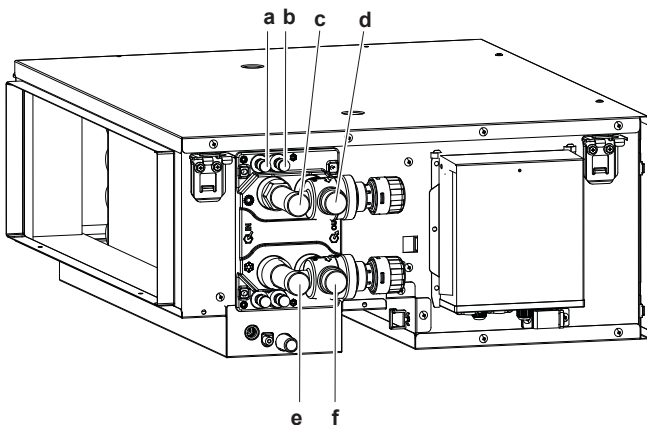
5 Installation der Einheit



- a Luftaustritt bei Kühlen
- b Luftaustritt bei Heizen
- c Warmwasser-Einlass (DN3/4")
- d Warmwasser-Auslass (DN3/4")
- e Kaltwasser-Einlass (DN3/4")
- f Kaltwasser-Auslass (DN3/4")

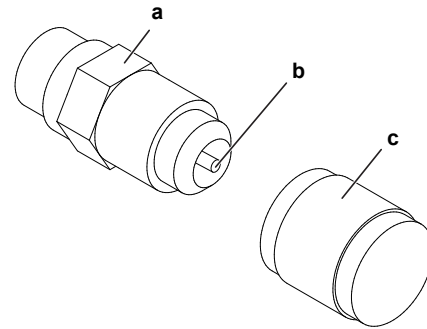


- a Luftaustritt bei Heizen
- b Luftaustritt bei Kühlen
- c Warmwasser-Einlass (DN3/4")
- d Warmwasser-Auslass (3/4" weiblich BSP)
- e Kühlen Einlass (DN3/4")
- f Kühlen Auslass (3/4" weiblich BSP)



- a Luftaustritt bei Heizen
- b Luftaustritt bei Kühlen
- c Warmwasser-Einlass (DN3/4")
- d Warmwasser-Auslass (DN3/4")
- e Kaltwasser-Einlass (DN3/4")
- f Kaltwasser-Auslass (DN3/4")

So befüllen Sie den Wasserkreislauf



- a Luftaustritt
- b Druckentlastungsventil
- c Kappe

Vielleicht ist es nicht möglich, während des Füllvorgangs die gesamte Luft aus dem System zu entfernen. Verbliebene Luft kann während der ersten Betriebsstunden der Einheit entfernt werden. Die Luft kann aus der Einheit entfernt werden über das manuell zu bedienende Entlüftungsventil.

- 1 Öffnen Sie die Abdeckkappe.
- 2 Drücken Sie das Druckentlastungsventil ein, um die Luft aus dem Wasserkreislauf (-kreisläufen) zu entfernen.
- 3 Schließen Sie die Kappe.
- 4 Anschließend muss eventuell nachträglich Wasser nachgefüllt werden (jedoch niemals über das Entlüftungsventil).



HINWEIS

Wenn sich Luft im Wasserkreislauf befindet, kann das den Betrieb beeinträchtigen. Während der Befüllung ist es evtl. nicht möglich, die gesamte Luft aus dem Kreislauf zu entfernen. Während der ersten Betriebsstunden des Systems wird die verbliebene Luft durch die automatischen Entlüftungsventile abgelassen. Dann muss eventuell nachträglich Wasser nachgefüllt werden.



HINWEIS

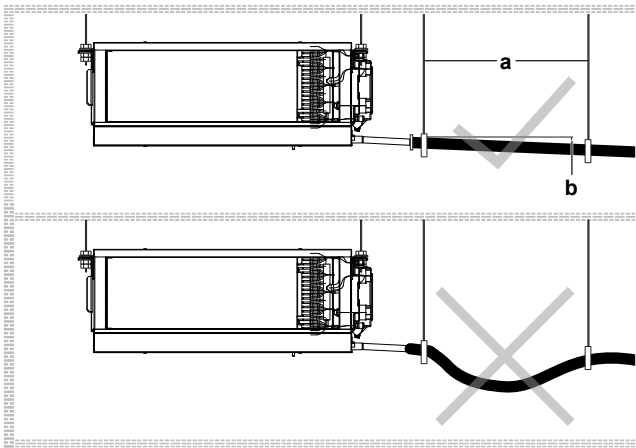
Stellen Sie sicher, dass die Wasserqualität der EU-Richtlinie 2020/2184 entspricht.

5.5 Installation der Abflussrohre

5.5.1 Leitlinien zur Installation des Abflussrohrs

Allgemeine Leitlinien

- **Rohrleitungslänge.** Die Abflussrohrleitung so kurz wie möglich halten.
- **Rohrstärke.** Die Rohrstärke muss im Vergleich mit der Stärke des Verbindungsrohres gleich oder größer sein (Vinylrohr mit 25 mm Nenndurchmesser und 32 mm Außendurchmesser).
- **Kondensierung.** Ergreifen Sie geeignete Maßnahmen, damit sich kein Kondenswasser bilden kann. Isolieren Sie die komplette Abflussleitung im Gebäude.
- **Gefälle.** Das Abflussrohr muss ein Gefälle haben (mindestens 1/50), damit sich im Rohr keine Luftblasen bilden können. Haltestangen so verwenden wie gezeigt.



- ✓ a Haltestange
Zulässig
- ✗ Nicht zulässig

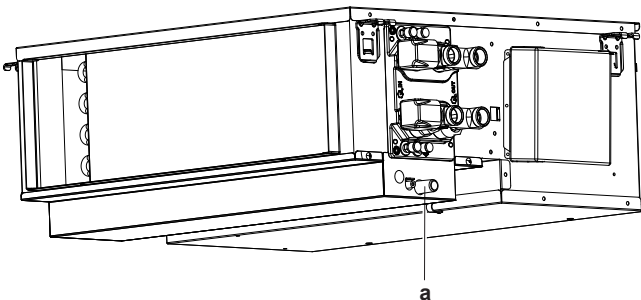
5.5.2 Abflussrohr anschließen

Abflussrohre anschließen

! HINWEIS

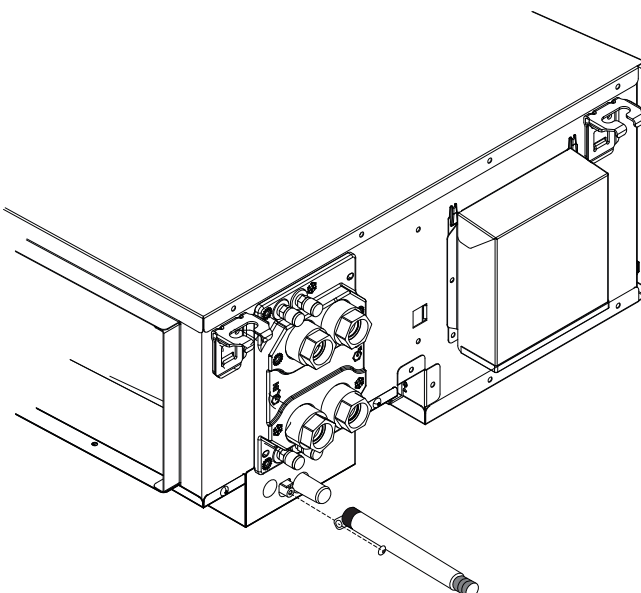
Bei falschem Anschließen des Abflussschlauches kann es zu Leckagen kommen, so dass der Bereich der Installation und die Umgebung beschädigt werden können.

- 1 Schieben Sie den Ablaufschlauch so weit wie möglich über den Ablaufstutzen.
- 2 Die Schraube vom Abflussschlauch an der Oberfläche der Auffangwanne festziehen.
- 3 Das System auf Wasserleckagen überprüfen.



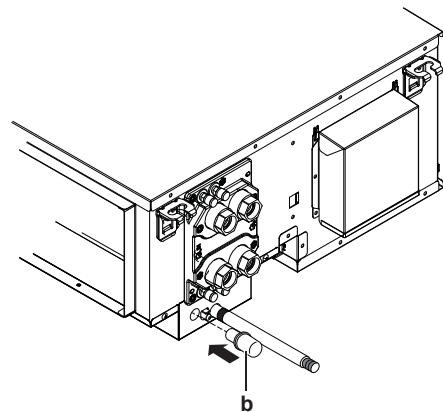
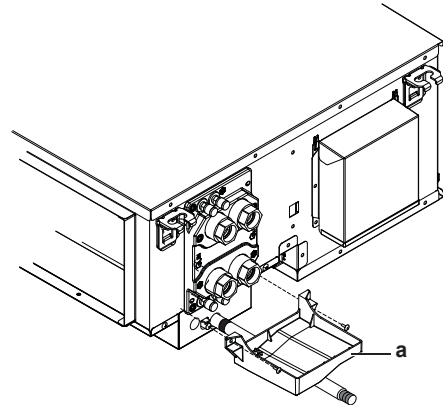
a Ablaufstutzen

- 4 Den Abflussschlauch einsetzen und mit der Befestigungsschraube (Zubehörsatz) festziehen.



! HINWEIS

Die Einheit muss mit einem Abflussschlauch verwendet werden. (Wird dieser nicht befestigt, kann es zu Wasseraustritt und Vibrationen kommen.)

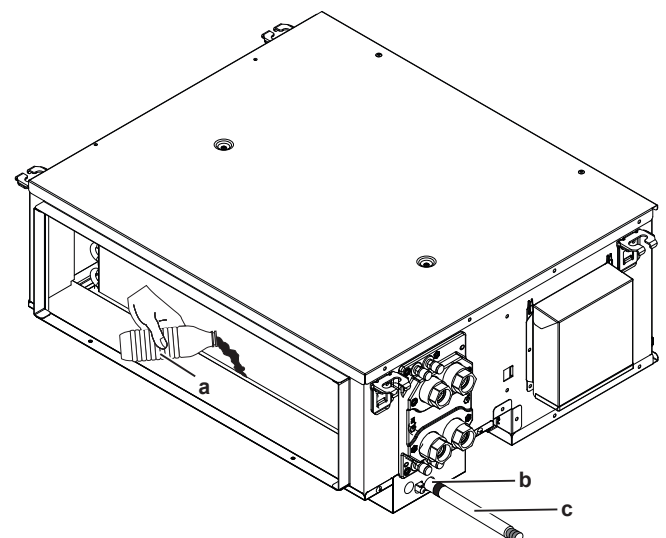


! HINWEIS

Wenn die Unter-Auffangwanne (a) nicht verwendet wird, sollte die Öffnung der Unter-Auffangwanne mit einer Kappe (b) verschlossen werden.

Wenn die Verkabelung bereits vollzogen ist

- 1 Kühlbetrieb starten.
- 2 Etwa 1 l Wasser langsam durch die Luftauslassöffnung einfüllen und auf Leckagen prüfen.



- a Kunststoff-Gießkanne
- b Abflussauslass (Verwenden Sie diesen Auslass, um Wasser aus der Ablaufwanne abzulassen)
- c Abflussschlauch

6 Elektroinstallation

5.6 Installation optionaler Ausstattung

5.6.1 Optionaler Ausstattung vorbereiten



INFORMATION

Optionale Einrichtungen. Lesen Sie vor der Installation einer optionalen Einrichtung die zugehörige Installationsanleitung. Abhängig von den Bedingungen vor Ort ist es möglicherweise einfacher, erst die optionale Einrichtung zu installieren.

Optionale Ausstattung	Identifikationscode
G2 Filter	EKAF02G5A
	EKAF03G5A
2-Wege-Ventil- ON/OFF (AC 230 V)	EK02WV2V3W5A
	EK04WV2V3C5A
	EK06WV2V3C5A
3-Wege-Ventil- ON/OFF (AC 230 V)	EK02WV3V3W5A
	EK04WV3V3C5A
	EK06WV3V3C5A
Proportional-Ventil (AC 24 V) 3-Wege – 4 Anschlüsse-Ventil	EK02P3V24W5A
	EK04P3V24C5A
	EK06P3V24C5A
Fernregler	FWEC3A
Fernregler (für 2 Rohre)	FWEC2T
Fernregler (für 4 Rohre)	FWEC4T
Fernregler (Bedienkonsole)	FWEC3AP
Fernregler	FWEC3AC
Fernregler	FWTOUCHW
	FWTOUCHB
	FWTOUCHG
Ventil-Kabelsatz	EKER015A

5.6.2 Optionale Ausstattung anschließen

Technische Daten der Ventile

Kvs Wert	Max. Betriebsdruck PN (bar)	Stromversorgung des Ventiltriebs
2,8	16	1 Ph, 230 V, 50-60 Hz
4		
6		

6 Elektroinstallation



GEFAHR: STROMSCHLAGEFAHR



WARNUNG

Für Stromversorgungskabel **IMMER** mehradrige Kabel verwenden.



WARNUNG

Verwenden Sie einen allpoligen Ausschalter mit einer Kontakttrennung von mindestens 3 mm, der bei einer Überspannungssituation der Kategorie III die komplette Trennung gewährleistet.



WARNUNG

Bei Beschädigungen des Stromversorgungskabels **MUSS** dieses vom Hersteller, dessen Vertreter oder einer entsprechend qualifizierten Fachkraft ausgewechselt werden, um Gefährdungsrisiken auszuschließen.

6.1 Vorbereiten der Elektroinstallation



WARNUNG

Alle vor Ort vorgenommenen Verkabelungen **MÜSSEN** von einem zugelassenen Elektriker durchgeführt werden und der gültigen Gesetzgebung entsprechen.



GEFAHR: STROMSCHLAGEFAHR



WARNUNG

Bei der festen Verkabelung **MUSS** ein Hauptschalter oder ein entsprechender Schaltmechanismus installiert sein, bei dem beim Ausschalten alle Pole getrennt werden. Die Installation muss den geltenden gesetzlichen Vorschriften entsprechen.



VORSICHT

- Bei Anschluss an die Stromversorgung: Erst den Erdanschluss herstellen, danach die stromführenden Verbindungen installieren.
- Und umgekehrt: Der Erdanschluss darf erst dann getrennt werden, nachdem die stromführenden Leitungsverbindungen getrennt worden sind.
- Die Länge der stromführenden Leiter zwischen der Stromversorgungskabel-Zugentlastung und der Klemmleiste selber **MUSS** so sein, dass das stromführende Kabel gestrafft sind, bevor die Straffung des Erdungskabels eintritt - für den Fall, dass sich das Stromversorgungskabel durch die Zugentlastung lockert.



WARNUNG

- Nach Durchführung der Elektroinstallationsarbeiten überzeugen Sie sich davon, dass die Anschlüsse aller elektrischen Komponenten und die Anschlüsse innerhalb des Elektroschaltkasten ordnungsgemäß und sicher hergestellt sind.
- Stellen Sie vor dem ersten Einschalten des Geräts sicher, dass alle Abdeckungen geschlossen sind.



WARNUNG

KEINE dauerhaften induktiven oder kapazitiven Lasten an den Stromkreis anlegen, ohne sicherzustellen, dass dadurch die zulässige Spannung und der zulässige Strom für das verwendete Aggregat **NICHT** überschritten werden.



HINWEIS

Das in diesem Handbuch beschriebene Gerät kann durch die Aussendung von Funkwellen elektronische Störungen verursachen. Das Gerät entspricht Spezifikationen, die für den Schutz gegen solche Art von Interferenzen für angemessen gelten. Es gibt jedoch keine Garantie, dass bei besonderen Installationsszenarien keinerlei Störung auftreten kann.

Darum wird empfohlen, bei der Installation des Gerätes und der Verlegung von Kabeln darauf zu achten, dass zu Stereoanlagen, PCs usw. ein hinreichender Abstand besteht.



GEFAHR: STROMSCHLAGGEFAHR

- Schalten Sie erst die gesamte Stromversorgung auf AUS, bevor Sie die Gebläsekonvektor-Abdeckung entfernen, um Anschlüsse herzustellen oder wenn Sie stromführende Teile berühren.
- Unterbrechen Sie die Stromversorgung für mindestens 10 Minuten und messen Sie die Spannung an den Klemmen der Kondensatoren des Hauptstromkreises oder an elektrischen Bauteilen, bevor Sie Wartungsarbeiten durchführen. Die Spannung MUSS unter 50 V DC liegen, bevor Sie elektrische Bauteile berühren können. Die Lage der Klemmen entnehmen Sie dem Schaltplan.
- Berühren Sie elektrische Bauteile NICHT mit feuchten oder nassen Händen.
- Lassen Sie die Einheit NIEMALS unbeaufsichtigt, wenn die Abdeckung entfernt worden ist.



WARNUNG

- Verwenden Sie AUSSCHLIESSLICH Kabel mit Kupferadern.
- Es ist darauf zu achten, dass die bauseitige Verkabelung den dafür gültigen Gesetzen und Vorschriften entspricht.
- Die gesamte bauseitige Verkabelung MUSS gemäß dem Elektroschaltplan durchgeführt werden, der mit dem Produkt mitgeliefert wurde.
- Kabel und Kabelbündel NIEMALS quetschen. Darauf achten, dass Kabel NIEMALS mit Rohren oder scharfen Kanten in Berührung kommen. Darauf achten, dass auf die Kabelanschlüsse kein zusätzlicher Druck von außen ausgeübt wird.
- Unbedingt auf eine korrekte Erdung achten. Erden Sie das Gerät NICHT über ein Versorgungsrohr, einen Überspannungsableiter oder einen Telefon-Erdleiter. Bei unzureichender Erdung besteht Stromschlaggefahr.
- Achten Sie darauf, dass alle erforderlichen Sicherungen und Schutzschalter installiert sind.
- Installieren Sie immer einen Fehlerstrom-Schutzschalter. Bei Missachtung dieser Regeln besteht Stromschlag- und Brandgefahr.

6-1 Spezifikationen für die bauseitige Verkabelung

	2-Rohr									
	04	05	06	08	10	12	14	16	20	24
Maximaler Betriebsstrom (A)	0,27	0,27	0,38	0,44	0,48	0,53	0,81	0,88	0,88	1,06
Maximaler Betriebsstrom (A) mit VentileFN	0,34	0,34	0,45	0,51	0,55	0,60	0,88	0,95	0,95	1,13
Empfohlene Überstrom-Sicherung (A)	5									
Phase	1									
Frequenz (Hz)	50									
Spannung (V)	220~240									
Spannungstoleranz (%)	±10									
Drahtstärke (Querschnitt mm ²)	0,75~1,25									
Fehlerstrom-Schutzschalter	Muss den geltenden gesetzlichen Vorschriften entsprechen									

6-2 Spezifikationen für die bauseitige Verkabelung

	4-Rohr									
	04	05	06	08	10	12	14	16	20	24
Maximaler Betriebsstrom (A)	0,26	0,26	0,37	0,43	0,50	0,56	0,79	0,87	0,83	1,04
Maximaler Betriebsstrom (A) mit VentileFN	0,33	0,33	0,44	0,50	0,57	0,63	0,86	0,94	0,90	1,11
Empfohlene Überstrom-Sicherung (A)	5									
Phase	1									
Frequenz (Hz)	50									
Spannung (V)	220~240									
Spannungstoleranz (%)	±10									
Drahtstärke (Querschnitt mm ²)	0,75~1,25									
Fehlerstrom-Schutzschalter	Muss den geltenden gesetzlichen Vorschriften entsprechen									

6.2 Anschließen der elektrischen Leitungen



GEFAHR: STROMSCHLAGGEFAHR



WARNUNG

Für Stromversorgungskabel IMMER mehradrige Kabel verwenden.



WARNUNG

Verwenden Sie einen allpoligen Ausschalter mit einer Kontakttrennung von mindestens 3 mm, der bei einer Überspannungssituation der Kategorie III die komplette Trennung gewährleistet.



WARNUNG

Bei Beschädigungen des Stromversorgungskabels MUSS dieses vom Hersteller, dessen Vertreter oder einer entsprechend qualifizierten Fachkraft ausgewechselt werden, um Gefährdungsrisiken auszuschließen.

7 Inbetriebnahme



HINWEIS

Vorsichtsmaßnahmen beim Verlegen der Stromversorgungsleitung:



- Schließen Sie **KEINE** Kabel verschiedener Stärken an die Stromversorgungsklemmleiste an. (Ein Kabelzuschlag in der Stromversorgungsleitung kann zu abnormaler Wärmeentwicklung führen.)
- Wenn Sie Kabel mit der gleichen Stärke anschließen, gehen Sie dabei wie in der Abbildung oben dargestellt vor.
- Verwenden Sie das dafür vorgesehene Stromkabel und schließen Sie es ordnungsgemäß an, sichern Sie es, um zu verhindern, dass Druck von außen auf die Klemmleiste ausgeübt wird.
- Verwenden Sie einen geeigneten Schraubenzieher zum Festdrehen der Klemmschrauben. Mit einem zu kleinen Schraubenzieher wird der Schraubenkopf beschädigt und die Schraube kann nicht ordnungsgemäß festgedreht werden.
- Wenn die Klemmschrauben zu stark festgedreht werden, können sie zerbrechen.



HINWEIS

- Halten Sie sich an den Elektroschaltplan (im Lieferumfang der Einheit enthalten, auf der Innenseite der Wartungsblende).
- Weitere Informationen zum Anschließen des optionalen Geräts finden Sie in der Installationsanleitung, die zum Lieferumfang des optionalen Geräts gehört.
- Achten Sie darauf, dass die ordnungsgemäße Anbringung der Wartungsblende **NICHT** durch Kabel behindert wird.

Es ist wichtig, Stromversorgungs-kabel und Übertragungs-kabel örtlich getrennt zu verlegen. Damit keine elektromagnetischen Interferenzen und Störungen auftreten, sollten die beiden Kabel STETS mindestens 50 mm entfernt voneinander sein.



HINWEIS

Stromversorgungs-kabel und Übertragungs-kabel müssen unbedingt örtlich voneinander getrennt verlegt werden. Stromversorgungs-kabel und Übertragungs-kabel dürfen sich überkreuzen, aber sie dürfen **NICHT** direkt parallel nebeneinander verlaufen.

7 Inbetriebnahme



HINWEIS

Den Probelauf **NICHT** unterbrechen.

7.1 Checkliste vor Inbetriebnahme

- 1 Überprüfen Sie die unten aufgeführten Punkte, nachdem die Einheit installiert worden ist.
- 2 Die Einheit schließen.
- 3 Die Einheit einschalten.

<input type="checkbox"/>	Sie haben die vollständigen Installationsanweisungen wie im Monteur-Referenzhandbuch aufgeführt, gelesen.
<input type="checkbox"/>	Die Inneneinheiten sind ordnungsgemäß installiert.
<input type="checkbox"/>	Es gibt keine fehlenden Phasen und keine Phasenumkehr .
<input type="checkbox"/>	Vergewissern Sie sich, dass das System ordnungsgemäß geerdet ist und die Erdungsanschlüsse festgezogen sind.
<input type="checkbox"/>	Größe und Ausführung der Sicherungen oder der vor Ort installierten Schutzvorrichtungen entsprechen den Angaben in diesem Dokument und sind bei der Prüfung NICHT ausgelassen worden.
<input type="checkbox"/>	Die Spannung der Stromversorgung muss mit der auf dem Typenschild der Einheit angegebenen Spannung übereinstimmen.
<input type="checkbox"/>	Es gibt KEINE losen Anschlüsse oder beschädigte elektrische Komponenten im Schaltkasten.
<input type="checkbox"/>	Es gibt KEINE beschädigten Komponenten oder zusammengedrückte Rohrleitungen in den Innen- und Außengeräten.
<input type="checkbox"/>	Es ist die richtige Rohrgröße installiert und die Rohre sind ordnungsgemäß isoliert.

Für den Benutzer

8 Sicherheitshinweise für Benutzer

Beachten Sie stets die folgenden Sicherheitshinweise und Vorschriften.

8.1 Instruktionen für sicheren Betrieb



VORSICHT

Halten Sie Finger, Stäbe und andere Gegenstände fern vom Lufteinlass und -auslass. Sonst könnten Verletzungen verursacht werden, da sich der Ventilator mit hoher Geschwindigkeit dreht.



VORSICHT: Achten Sie besonders auf den Ventilator!

Es ist gefährlich, die Einheit zu überprüfen, während der Ventilator in Betrieb ist.

Vor Durchführung von Wartungsarbeiten unbedingt den Hauptschalter **AUSSCHALTEN**.



VORSICHT

Nach längerem Gebrauch muss der Standplatz und die Befestigung der Einheit auf Beschädigung überprüft werden. Bei Beschädigung kann die Einheit umfallen und Verletzungen verursachen.

VORSICHT

Es ist gesundheitsschädlich, sich über längere Zeit dem Luftstrom auszusetzen.

VORSICHT

NIEMALS die Teile im Inneren des Reglers berühren.

GEFAHR: STROMSCHLAGEGEFAHR

Um das Klimagerät oder den Luftfilter zu reinigen, muss erst der Betrieb der Anlage beendet werden und die Stromversorgung muss **AUSGESCHALTET** sein. Sonst besteht Stromschlag- und Verletzungsgefahr.

WARNUNG

Alle der Ventilation dienenden Öffnungen müssen frei gehalten werden.

WARNUNG

Beenden Sie den Betrieb und schalten Sie den Strom AB, wenn etwas Ungewöhnliches auftritt (Brandgeruch usw.).

Wird unter solchen Bedingungen der Betrieb fortgesetzt, kann es zu starken Beschädigungen kommen und es besteht Stromschlag und Brandgefahr. Wenden Sie sich an Ihren Händler.

WARNUNG

Berühren Sie NIEMALS den Luftauslass oder die horizontalen Lamellen, wenn die Schwenklappe in Betrieb ist. Sie können sich die Finger einklemmen, oder das Gerät kann beschädigt werden.

WARNUNG

Stellen Sie KEINE brennbaren Sprayflaschen neben das Klimagerät. Verwenden Sie KEINE Sprays in der Nähe der Einheit. Es besteht sonst Brandgefahr.

WARNUNG

Bevor Sie die Einheit in Betrieb nehmen, muss sichergestellt sein, dass die Installation ordnungsgemäß von einem Fachinstallateur durchgeführt worden ist.

WARNUNG

Das Gerät muss in einem Raum so gelagert werden, dass es nicht mechanisch beschädigt werden kann. Der Raum muss gut belüftet sein und es darf keine kontinuierlich vorhandene Entzündungsquellen geben (Beispiel: offene Flammen, ein mit Gas betriebenes Haushaltsgerät oder ein elektrisches Heizgerät). Die Größe des Raums muss den Spezifikationen in den Allgemeinen Sicherheitshinweisen entsprechen.

9 Über das System

WARNUNG

AUF KEINEN FALL die Einheit selber ändern, zerlegen, entfernen, neu installieren oder reparieren, da bei falscher Demontage oder Installation Stromschlag- und Brandgefahr bestehen. Wenden Sie sich an Ihren Händler.

HINWEIS

Verwenden Sie das System NICHT für andere Zwecke. Um eine Verschlechterung der Qualität zu vermeiden, verwenden Sie die Einheit NICHT für das Kühlen von Präzisionsinstrumenten, Nahrung, Pflanzen, Tieren oder Kunstarbeiten.

HINWEIS

Für zukünftige Modifikationen oder Erweiterungen Ihres Systems:

Eine vollständige Übersicht über zulässige Kombinationen (bei zukünftigen Systemerweiterungen) finden Sie im technischen Datenbuch. Diese Übersicht sollte dann herangezogen werden. Weitere Informationen und professionelle Beratung erhalten Sie von Ihrem Installateur.

10 Vor der Inbetriebnahme

WARNUNG

In diesem Gerät sind Teile, die unter Strom stehen oder die heiß sein können.

WARNUNG

Bevor Sie die Einheit in Betrieb nehmen, muss sichergestellt sein, dass die Installation ordnungsgemäß von einem Fachinstallateur durchgeführt worden ist.

VORSICHT

Setzen Sie NIEMALS Kinder, Pflanzen oder Tiere direkt dem Luftstrom aus.

Diese Betriebsanleitung ist für die folgenden Systeme mit Standardregelung. Wenden Sie sich an Ihren Händler, bevor Sie die Anlage in Betrieb nehmen. Hier erfahren Sie Näheres zum Betrieb Ihres Systemtyps und der Kennzeichnung. Wenn es sich bei Ihrem System um ein System mit zugeschnittener Regelung handelt, wenden Sie sich für den korrekten Betrieb bitte an Ihren Händler.

Betriebsmodi:

- Heizen und Kühlen (Luft zu Luft).
- Betrieb nur mit Ventilator (Luft zu Luft).

11 Betrieb

Diese Betriebsanleitung gibt einen unvollständigen Überblick über die Hauptfunktionen des Systems.

Weite Informationen über die Benutzerschnittstelle finden Sie in der Betriebsanleitung der benutzen Benutzerschnittstelle.

11 Betrieb

11.1 Betriebsbereich

Die folgenden Bedingungen sind standardmäßige Betriebsgrenzen. Bei anderen Bedingungen fragen Sie bitte Ihren Händler.

Modus	Bedingung	Lufttemperatur-Limit (DB/WB)	Wassertemperatur-Limit (eingehend/ausgehend)	Wasser Delta T, ΔT
Kühlen (°C)	Min.	15/6 (RH%20)	5/8	3 bis 10
	Max.	33/26 (RH%58)	18/28	
Heizen (°C)	Min.	15/**	35/30	5 bis 20
	Max.	27/**	90/70	

12 Energie sparen und optimaler Betrieb

Treffen Sie für den ordnungsgemäßen Betrieb der Einheit die folgenden Sicherheitsvorkehrungen.

- Stellen Sie den Luftauslass korrekt ein, und vermeiden Sie, dass der Luftstrom die im Raum befindlichen Personen direkt trifft.
- Stellen Sie die Raumtemperatur so ein, dass sie als angenehm empfunden wird. Vermeiden Sie zu starkes Heizen oder Kühlen.
- Sorgen Sie dafür, dass während des Kühlbetriebs kein direktes Sonnenlicht in den Raum dringt, indem Sie Vorhänge oder Rollläden dazu benutzen.
- Lüften Sie oft. Bei ausgiebigem Gebrauch ist die Belüftung umso wichtiger.
- Halten Sie Türen und Fenster geschlossen. Sind Türen und Fenster geöffnet, strömt Luft aus dem Raum, was die Kühl- oder Heizwirkung verringert.
- Achten Sie darauf, NICHT zu viel zu kühlen oder zu heizen. Um Energie zu sparen, halten Sie die Temperatureinstellung auf einer moderaten Höhe.
- Am Lufteinlass oder Luftauslass der Einheit KEINE Gegenstände abstellen. Dies kann zur Verringerung der Wirkung beim Heizen/Kühlen führen oder sogar den Betrieb beenden.
- Wenn die Luftfeuchtigkeit über 80% beträgt, kann sich Kondenswasser bilden, das herabtröpft, wenn der Kondensat auslass blockiert ist.

HINWEIS

Verwenden Sie das System NICHT für andere Zwecke. Um eine Verschlechterung der Qualität zu vermeiden, verwenden Sie die Einheit NICHT für das Kühlen von Präzisionsinstrumenten, Nahrung, Pflanzen, Tieren oder Kunstwerken.

VORSICHT

NICHT das System betreiben, wenn gerade ein Mittel zur Raumdesinfizierung gegen Insekten benutzt wird. Sonst könnten sich die Chemikalien in der Einheit sammeln. Das kann die Gesundheit von Menschen gefährden, die überempfindlich auf Chemikalien reagieren.

13 Wartung und Service

13.1 Sicherheitsvorkehrungen für die Wartung



GEFAHR: GEFAHR DURCH VERBRENNEN ODER VERBRÜHEN



GEFAHR: STROMSCHLAGGEFAHR



HINWEIS

Halten Sie den Luftfilter sauber und prüfen Sie regelmäßig den Luftdurchsatz.



WARNUNG

- Vor der Durchführung von Wartungs- oder Reparaturarbeiten IMMER erst den Hauptschalter auf dem Schaltschrank auf Aus schalten.
- Achten Sie darauf, KEIN leitfähiges Teil zu berühren.
- Das Äußere der Einheit NICHT abspülen. Es besteht sonst Stromschlag- und Brandgefahr.

So reinigen Sie die Außenseite Ihres Ventilator-Konvektors:

- 1 Schalten Sie den Ventilator-Konvektor aus.
- 2 Reinigen Sie die Außenseite des Ventilator-Konvektors mit einem weichen Tuch.



VORSICHT

- Den Luftauslass und den Lufteinlass der Einheit AUF KEINEN FALL blockieren.
- Legen Sie KEINE feuchten oder nassen Kleider auf das Luftauslassgitter der Einheit.
- Schütten Sie KEINE Flüssigkeiten in das Gerät.

Reinigen Sie Ihren Ventilator-Konvektor niemals:

- mit jeglichen aggressiven chemischen Lösungsmitteln,
- Wasser mit einer Temperatur über 50°C.

Wenden Sie sich bezüglich der Wartung Ihres Ventilator-Konvektors an Ihren Monteur oder ein Serviceunternehmen.

13.2 Sicherheitsvorkehrungen bei Wartung und Service



HINWEIS

Führen Sie NIEMALS selber Inspektionen oder Wartungsarbeiten an der Einheit durch. Beauftragen Sie einen qualifizierten Kundendiensttechniker mit diesen Arbeiten. Als Endbenutzer können Sie jedoch den Luftfilter, das Ansauggitter, den Luftauslass und äußere Blenden reinigen.



WARNUNG

Ersetzen Sie eine durchgebrannte Sicherung NIEMALS durch eine Sicherung mit anderer Amperezahl oder durch ein Überbrückungskabel. Der Einsatz von Kabeln oder Kupferdrähten kann zu einem Ausfall der Einheit oder zu einem Brand führen.



VORSICHT

Nach längerem Gebrauch muss der Standplatz und die Befestigung der Einheit auf Beschädigung überprüft werden. Bei Beschädigung kann die Einheit umfallen und Verletzungen verursachen.



HINWEIS

Die Bedientafel des Reglers NICHT mit Benzin, Verdünnern, chemischen Staubtüchern usw. reinigen. Die Bedientafel könnte sich verfärben oder die Beschichtung könnte sich ablösen. Bei starker Verschmutzung tränken Sie ein Tuch mit wasserverdünntem neutralem Reinigungsmittel, wringen es gut aus und wischen die Bedientafel sauber ab. Wischen Sie mit einem anderen trockenen Tuch nach.



VORSICHT

Bevor Sie sich an elektrische Anschlüsse machen, unbedingt die gesamte Stromversorgung ausschalten.



HINWEIS

Entfernen Sie zum Reinigen des Wärmetauschers unbedingt den Schaltkasten, den Ventilatormotor, die Kondensatabfluss-Pumpe und den Schwimmerschalter. Wasser oder Reinigungsmittel können die Isolierung von elektrischen Komponenten angreifen und dazu führen, dass sie vorzeitig verschleifen.



WARNUNG

Seien Sie vorsichtig, wenn Sie für Arbeiten an hoch gelegenen Stellen eine Leiter benutzen.

13.3 Luftfilter, Ansauggitter, Luftauslass und Außenblenden reinigen



VORSICHT

Die Einheit ausschalten, wenn Sie Luftfilter, Ansauggitter, Luftauslass und Außenblenden reinigen wollen.



HINWEIS

- NICHT zu fest reiben, wenn Sie Luftleitflügelblätter mit Wasser abwaschen. **Mögliche Folge:** Die Oberflächenversiegelung kann sich ablösen.

Mit einem weichen Tuch reinigen. Bei schwer entfernbaren Verschmutzungen Wasser oder ein neutrales Reinigungsmittel verwenden.

13.3.1 Luftfilter reinigen

Zeitpunkt für Reinigung des Luftfilters:

- Faustregel: Alle 6 Monate reinigen. Ist die Luft im Raum extrem belastet, dann sollte der Luftfilter häufiger gereinigt werden.
- Wenn der angesammelte Schmutz nicht mehr restlos entfernt werden kann, muss der Luftfilter ersetzt werden (= optionale Ausstattung).

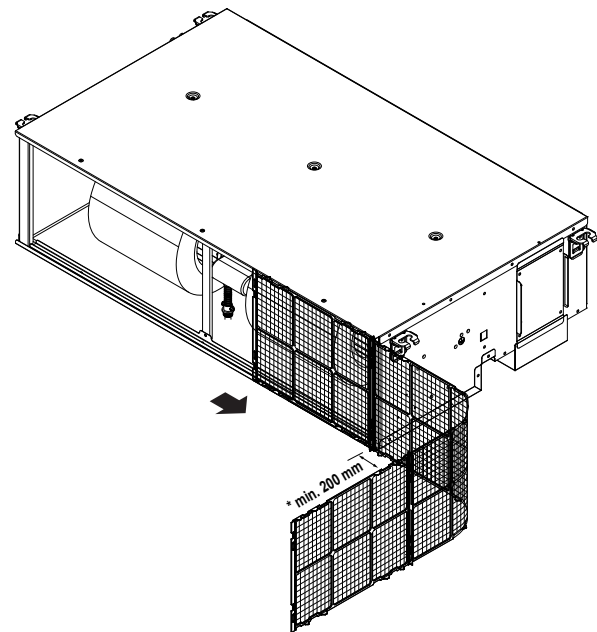
So wird der Luftfilter gereinigt:



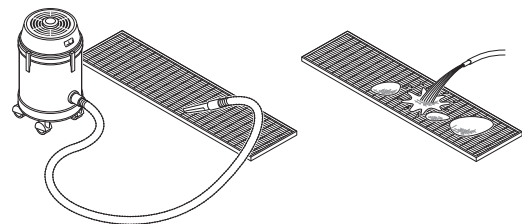
HINWEIS

Nur Wasser UNTER 50°C verwenden. **Mögliche Folge:** Verfärbungen und Verformungen.

- 1 Schalten Sie die Stromzufuhr ab. Der Luftfilter kann auf der rechten und linken Seite installiert werden. Den Filter entfernen, indem Sie ihn wie unten gezeigt herauschieben.



- 2 Den Luftfilter reinigen. Einen Staubsauger verwenden oder mit Wasser abwaschen. Wenn der Luftfilter stark verschmutzt ist, eine weiche Bürste und ein neutrales Reinigungsmittel verwenden.



- 3 Den Luftfilter im Schatten trocknen lassen.
- 4 Den Luftfilter wieder anbringen und das Ansauggitter schließen.

13.4 Wartung nach einer langen Ausschaltzeit

Z. B. zu Beginn der Saison.

- Prüfen Sie die Einlass- und Auslassöffnungen zur Belüftung der Innen- und Außeneinheiten und entfernen Sie alles, was sie blockieren könnte.
- Reinigen Sie die Luftfilter und das Gehäuse der Inneneinheiten (siehe "13.3.1 Luftfilter reinigen" ▶ 37) und Luftauslass und Außenblenden reinigen).

13.5 Wartung vor langer Betriebspause

Z. B. am Ende der Saison.

- Um die Inneneinheiten innen zu trocknen, lassen Sie sie ungefähr einen halben Tag im ausschließlichen Ventilatorbetrieb laufen. Für weitere Informationen zum ausschließlichen Ventilatorbetrieb siehe Kühlbetrieb, Heizbetrieb, reiner Ventilator-Betrieb und automatischer Betrieb.
- Den Strom abschalten. Das Display der Benutzerschnittstelle zeigt nichts mehr an.
- Reinigen Sie die Luftfilter und das Gehäuse der Inneneinheiten (siehe "13.3.1 Luftfilter reinigen" ▶ 37) und Luftauslass und Außenblenden reinigen).

14 Fehlerdiagnose und -beseitigung

13.6 Kundendienst und Garantie

13.6.1 Empfohlene Wartung und Inspektion

Da sich bei jahrelangem Gebrauch in der Einheit Staub ansammelt, wird sich dadurch die Leistung der Einheit etwas verschlechtern. Das Innere der Einheiten zu zerlegen und zu reinigen erfordert technische Expertise. Damit Ihre Einheiten optimal gewartet werden, empfehlen wir Ihnen, zusätzlich zu den normalen Wartungsmaßnahmen einen Wartungs- und Inspektionsvertrag abzuschließen. Unser Händlernetzwerk hat immer Zugriff auf einen Lagerbestand an wichtigen Komponenten, damit Ihre Einheit so lange wie möglich funktionsfähig bleibt. Wenden Sie sich an Ihren Händler, um weitere Informationen dazu zu erhalten.

Wenn Sie Ihren Händler um eine Intervention bitten, geben Sie immer Folgendes an:

- Die vollständige Modellbezeichnung der Einheit.
- Die Herstellungsnummer (zu finden auf dem Typenschild der Einheit).
- Das Datum der Installation.
- Die Symptome oder die Funktionsstörung und die Einzelheiten des Defekts.



WARNUNG

AUF KEINEN FALL die Einheit selber ändern, zerlegen, entfernen, neu installieren oder reparieren, da bei falscher Demontage oder Installation Stromschlag- und Brandgefahr bestehen. Wenden Sie sich an Ihren Händler.

13.6.2 Verkürzte Wartungs- und Austauschzyklen

Die Abstände zwischen den "Wartungs- und Austauschzyklen" müssen in folgenden Situationen gegebenenfalls verkürzt werden:

Die Einheit wird an Standorten eingesetzt, wo folgende Bedingungen herrschen:

- Überdurchschnittlich Schwankungen bei Wärme und Luftfeuchtigkeit.
- Hohe Spannungsschwankungen (Spannung, Frequenz, Wellenverzerrungen usw.) (die Einheit kann nicht verwendet werden, wenn die Schwankungen das zulässige Maß überschreiten).
- Häufiges Auftreten von Stößen und Vibrationen.
- Luft mit Staub, Salz, schädlichem Gas oder Ölnebel versetzt, zum Beispiel Schwefelsäure und Schwefelwasserstoff.
- Das Gerät wird häufig gestartet und gestoppt, oder die Betriebszeit ist sehr lang (24-Stunden-Klimatisierung).

Empfohlene Austauschzyklen bei Verschleißteilen

Komponente	Inspektion zyklus	Wartungszyklus (Austausch und/oder Reparaturen)
Luftfilter	1 Jahr	5 Jahre
Hochleistungsfilter		1 Jahr
Sicherung		10 Jahre
Unter Druck stehende Teile		Bei Korrosion wenden Sie sich an Ihren Fachhändler vor Ort.



INFORMATION

Werden Innenteile nicht von unseren autorisierten Händlern entfernt oder gereinigt sondern von anderen Personen, werden dadurch entstehende Schäden nicht durch die Garantie abgedeckt.

14 Fehlerdiagnose und -beseitigung

Wenn eine der folgenden Betriebsstörungen auftritt, treffen Sie die Maßnahmen, die nachfolgend beschrieben sind, und wenden Sie sich gegebenenfalls an Ihren Händler.

Das System darf NUR von einem qualifizierten Kundendiensttechniker repariert werden.

Störung	Maßnahme
Eine Schutzeinrichtung wie z. B. eine Sicherung, ein Schutzschalter oder ein Fehlerstrom-Schutzschalter wird häufig aktiviert, oder der EIN/AUS-Schalter arbeitet nicht korrekt.	Den Hauptschalter auf AUS schalten.
Falls Wasser aus der Einheit austritt.	Betrieb beenden.
Der Betriebsschalter funktioniert nicht richtig.	Den Strom abschalten.

Wenn abgesehen von den oben erwähnten Fällen das System NICHT korrekt arbeitet und keine der oben genannten Fehler vorliegen, untersuchen Sie das System durch folgende Verfahren.

Fehler	Maßnahme
Wenn das System überhaupt nicht funktioniert.	<ul style="list-style-type: none"> • Überprüfen Sie, ob ein Stromausfall vorliegt. Warten Sie, bis die Stromversorgung wieder funktioniert. • Überprüfen Sie, ob eine Sicherung durchgebrannt ist oder ein Schutzschalter aktiviert wurde. Wechseln Sie die Sicherung, oder stellen Sie den Schutzschalter wieder zurück.
Das System funktioniert zwar, Kühl- oder Heizbetrieb arbeiten jedoch nicht ausreichend.	<ul style="list-style-type: none"> • Überprüfen Sie, ob Lufteinlass oder Luftauslass von Außen- oder Inneneinheit durch Objekte blockiert sind. Entfernen Sie gegebenenfalls alle Objekte, und achten Sie darauf, dass die Luft frei zirkulieren kann. • Vergewissern Sie sich, dass der Luftfilter nicht verstopft ist (siehe "13.3.1 Luftfilter reinigen" ▶ 37). • Überprüfen Sie die Temperatureinstellung. • Überprüfen Sie auf Ihrer Benutzerschnittstelle die Einstellung der Ventilator Drehzahl. • Prüfen Sie, ob Türen oder Fenster geöffnet sind. Schließen Sie Türen und Fenster, sodass kein Wind hereinkommt. • Achten Sie darauf, dass sich während des Kühlbetriebs nicht zu viele Personen im Raum befinden. Prüfen Sie, ob der Raum zu stark aufgeheizt wird. • Prüfen Sie, ob direktes Sonnenlicht in den Raum gelangt. Bringen Sie Vorhänge oder Jalousien an. • Überprüfen Sie, ob der Luftflusswinkel korrekt ist.

Wenn es nach der Überprüfung aller oben genannten Punkte unmöglich ist, das Problem in Eigenregie zu lösen, wenden Sie sich an Ihren Installateur und schildern Sie ihm die Symptome. Nennen Sie den vollständigen Namen des Modells der Einheit (wenn möglich mit Fertigungsnummer) und das Datum der Installation.

14.1 Probleme bei Gebläsekonvektor entfernen

Ihr Ventilator-Konvektor funktioniert nicht

Wenn Ihr Ventilator-Konvektor nicht funktioniert:

Überprüfen Sie folgende Punkte:	Falls ja, gehen Sie wie folgt vor:
Ist der Ventilator-Konvektor ausgeschaltet ?	Schalten Sie den Ventilator-Konvektor ein .
Liegt ein Stromausfall vor?	Stellen Sie die Stromversorgung wieder her.
Wurde der Schutzscharter ausgelöst (Sicherung durchgebrannt)?	Wenden Sie sich an Ihren Monteur oder ein Serviceunternehmen.

Ihr Ventilator-Konvektor kühlt oder heizt nicht gut.

Wenn Ihr Ventilator-Konvektor nicht gut kühlt oder heizt:

Überprüfen Sie folgende Punkte:	Falls ja, gehen Sie wie folgt vor:
Befindet sich ein Hindernis in der Nähe des Luften- oder -auslasses?	Entfernen Sie das Hindernis.
Sind irgendwelche Türen oder Fenster geöffnet?	Schließen Sie Türen und Fenster.
Läuft der Ventilator-Konvektor mit niedriger Geschwindigkeit ?	Wählen Sie die mittlere Geschwindigkeit oder hohe Geschwindigkeit .
Sind die Luftfilter verschmutzt?	Wenden Sie sich an Ihren Monteur oder ein Serviceunternehmen.

Ihr Ventilator-Konvektor verliert Wasser.

Schalten Sie die Einheit aus und wenden Sie sich an Ihren Monteur oder ein Serviceunternehmen.

Wenn Ihr Ventilator-Konvektor nicht ordnungsgemäß funktioniert, versuchen Sie, das Problem anhand der in diesem Kapitel aufgeführten Maßnahmen zur Abhilfe zu beheben.

Wenn das Problem weiterhin besteht oder nicht in diesem Kapitel aufgeführt ist, wenden Sie sich an Ihren Monteur oder ein Serviceunternehmen.

14.2 Veränderung des Installationsortes

Wenn Sie die gesamte Anlage entfernen und neu installieren wollen, wenden Sie sich an Ihren Händler. Das Umsetzen von Einheiten erfordert technische Expertise.

15 Entsorgung

- Einheiten sind mit folgendem Symbol gekennzeichnet:



Das bedeutet, dass elektrische und elektronische Produkte NICHT zusammen mit unsortiertem Hausmüll entsorgt werden dürfen. Versuchen Sie auf KEINEN Fall, das System selber auseinander zu nehmen. Die Demontage des Systems sowie die Handhabung von Kältemittel, Öl und weiteren Teilen MUSS von einem autorisierten Monteur in Übereinstimmung mit den entsprechenden Vorschriften erfolgen.

Einheiten MÜSSEN bei einer Einrichtung aufbereitet werden, die auf Wiederverwendung, Recycling und Wiederverwertung spezialisiert ist. Indem Sie dieses Produkt einer korrekten

Entsorgung zuführen, tragen Sie dazu bei, dass für die Umwelt und für die Gesundheit von Menschen keine negativen Auswirkungen entstehen. Für weitere Informationen wenden Sie sich bitte an Ihren Installateur oder an die zuständige Behörde vor Ort.



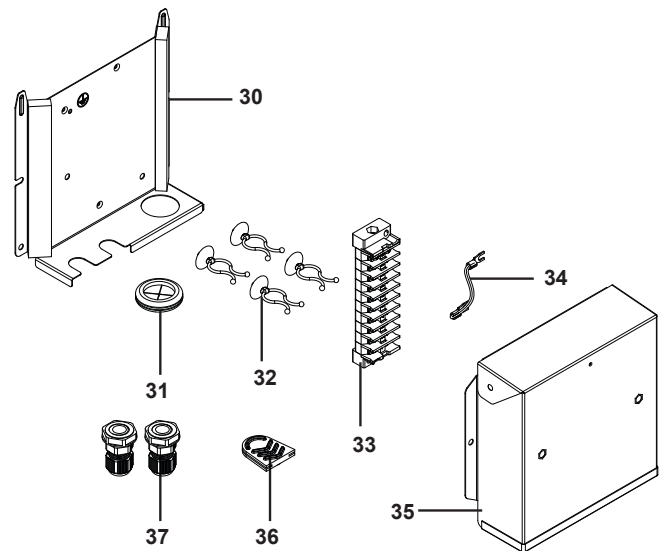
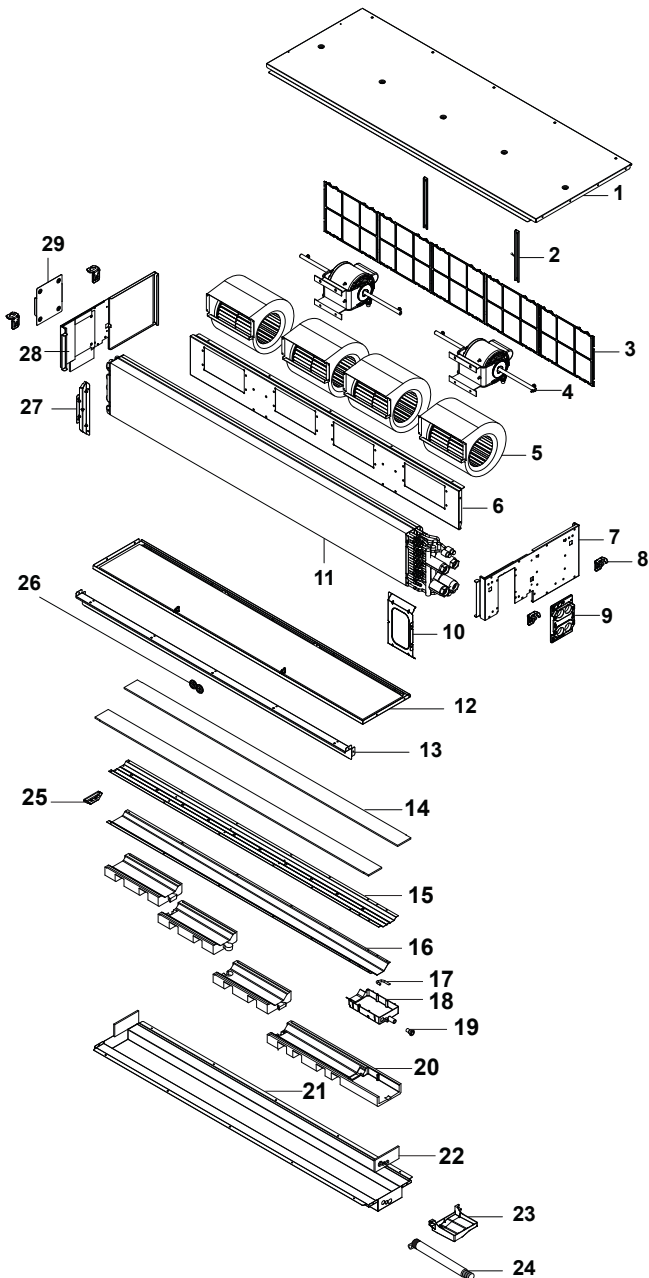
HINWEIS

Versuchen Sie auf KEINEN Fall, das System selber auseinander zu nehmen. Die Demontage des Systems sowie die Handhabung von Kältemittel, Öl und weiteren Teilen MUSS in Übereinstimmung mit den entsprechenden Vorschriften erfolgen. Einheiten MÜSSEN bei einer Einrichtung aufbereitet werden, die auf Wiederverwendung, Recycling und Wiederverwertung spezialisiert ist.

Der Techniker ist verpflichtet, nach der Installation den korrekten Betrieb zu prüfen. Wenden Sie sich bei einem Problem mit der Einheit an Ihren örtlichen Händler.

16 Technische Daten

Verwenden Sie zum Lösen der Schrauben das geeignete Werkzeug.
Das Produkt kann wie unten abgebildet zerlegt werden.

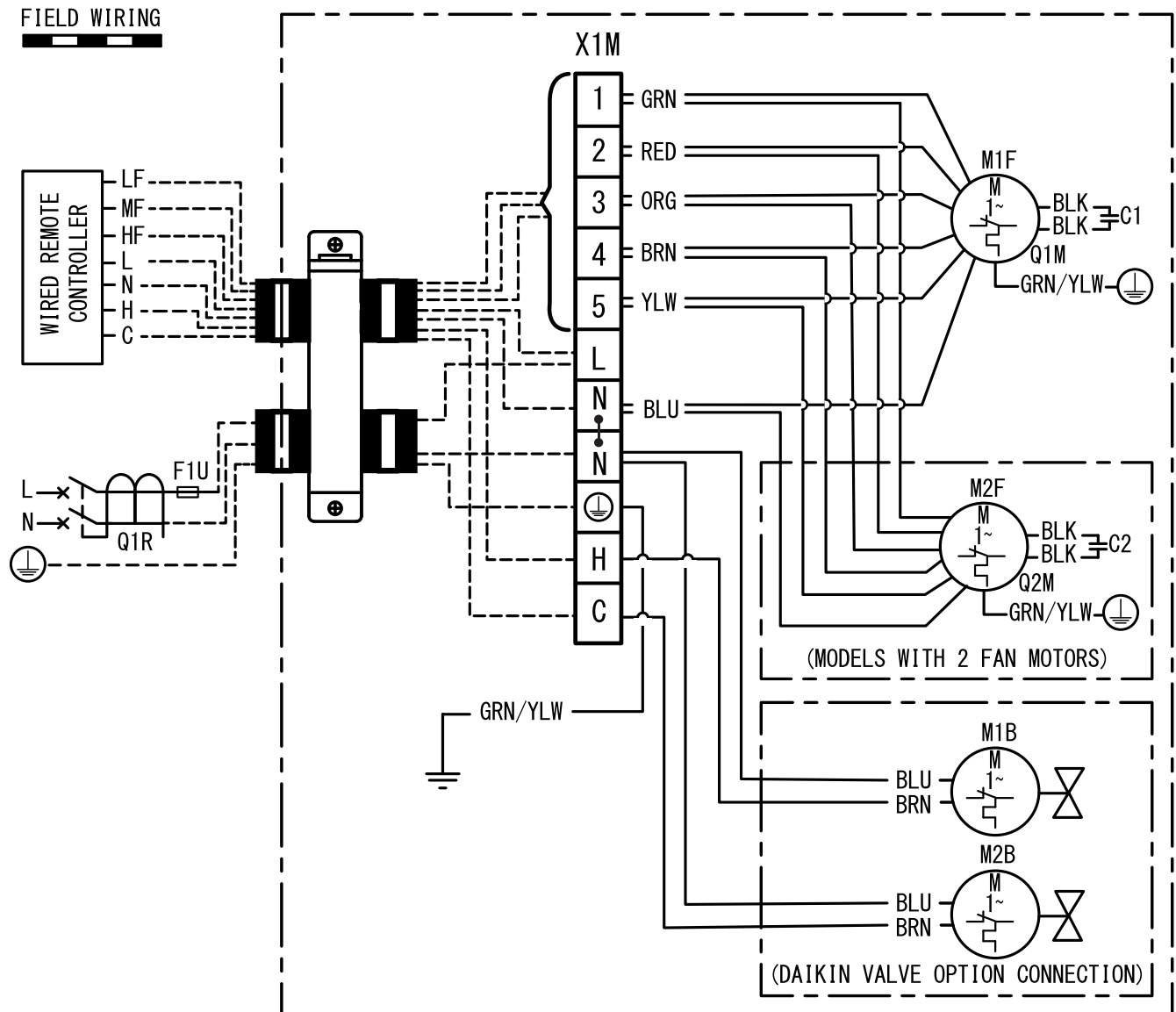


Werkstoffe	Element
Elektrische Teile (Ventilatormotor + Kondensator)	4
Aluminium (Kühlrippe) + Kupfer (Rohr) + verzinktes Stahlblech (Platte) + Messing+ Schaumstoff	11
Kunststoff	9, 18, 23, 24, 32, 37
Schaumstoff	14, 22
Kunststoff + Metall	33, 34
Kunststoff (Rahmen) + Kunststoff (Gitter)	3
Verzinktes Stahlblech	2, 5, 6, 8, 13, 15, 16, 21, 27
Verzinktes Stahlblech + Schaumstoff	1, 7, 10, 12, 28, 29, 30, 35
Gummi	19, 25, 26, 31, 36
EPP	20
Kupfer	17

16 Technische Daten

Ein Teil der jüngsten technischen Daten ist verfügbar auf der regionalen Website Daikin (öffentlich zugänglich). Der vollständige Satz der jüngsten technischen Daten ist verfügbar auf dem Daikin Business Portal (Authentifizierung erforderlich).

16.1 Elektroschaltplan



Schaltplan-Legende:

C1 , C2	Kondensator
F1U	Bauseitige Sicherung
M1F, M2F	Ventilatormotor
M1B	Ventilantrieb für Heizbetrieb
M2B	Ventilantrieb für Kühlbetrieb
Q1M , Q2M	Thermoschutz
Q1R	Fehlerstrom-Schutzschalter
X1M	Anschlussleiste
L	Stromführend
N	Neutral
1	Niedrigste Geschwindigkeit
5	Höchste Geschwindigkeit
H	Ventil Heizen
C	Ventil Kühlen
LF	Langsame Ventilatorumdrehzahl
MF	Mittlere Ventilatorumdrehzahl
HF	Hohe Ventilatorumdrehzahl

	Schutzerde
	Erde

Farben:

BLK	Schwarz
BLU	Blau
BRN	Braun
GRN	Grün
ORG	Orange
RED	Rot
YLW	Gelb

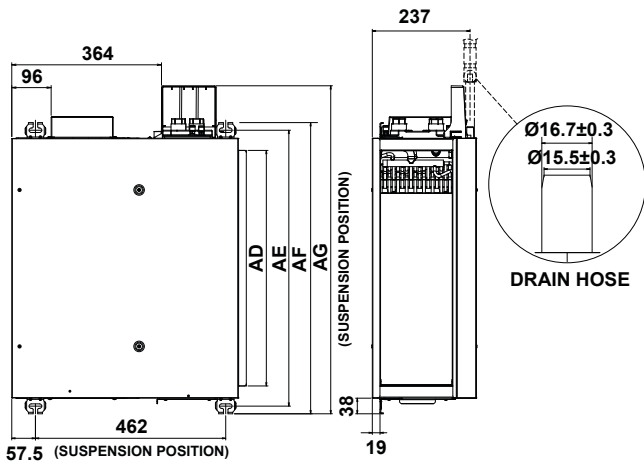
Anmerkungen:

- : Klemmleiste :: : Bauseitige Verkabelung.
- Siehe Installationsanleitung für den Strombedarf

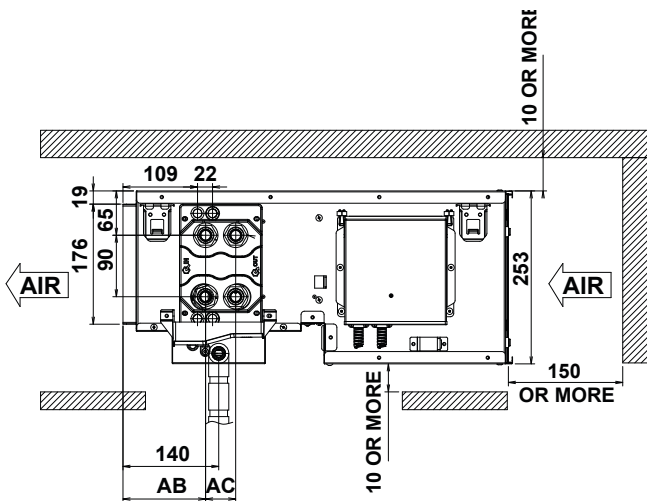
16 Technische Daten

16.2 Abmessungen

Überblick



MODELL	AD	AE	AF	AG
FWE04&05 &06F	572	670	707	797
FWE08&10 &12F	877	975	1012	1102
FWE14&16 F	1187	1285	1322	1412
FWE20&24 F	1487	1585	1622	1712



MODELL	AB	AC
FWE04&05&06&08& 10&12F	118	50
FWE14&16&20&24F	121	44

17 Erforderliche Daten für Eco-Auslegung

Prated,c	Prated,c	Prated,h	Pelec	LWA
<p>Prated,c (sensible)</p> <p>Prated,c (latent)</p> <p>Prated,h</p> <p>Pelec</p> <p>LWA</p>	<p>Cooling capacity (sensible)</p> <p>Kühlleistung (sensibel)</p> <p>Puissance de rafraîchissement (sensible)</p> <p>Koelcapaciteit (voelbaar)</p> <p>Capacidad de refrigeración (sensibilidad)</p> <p>Capacitate de răcire (sensibil)</p> <p>Capacità di raffreddamento (sensible)</p> <p>Απόδοση ψύξης (οσιδίτιο)</p> <p>Capacidade de arrefecimento (sensible)</p> <p>Soğutma kapasitesi (duyarlı)</p> <p>Хладопроизводительность (явна)</p> <p>Kylningskapacitet (känslig)</p> <p>Avkjølingskapasitet (følbart)</p> <p>Chladicí výkon (citelný)</p> <p>Kapacitet hlađenja (osjetljivo)</p> <p>Hűtési teljesítmény (érzékeny)</p> <p>Capacitate de răcire (fără dezumidificare)</p> <p>Moč hlađenja (zaznamna)</p> <p>Kapacita hlađenja (učeina)</p> <p>Капацитет на охлаждане (практически)</p> <p>Wydajność chłodnicza (jawna)</p> <p>Koelkapacitet (mænkbart)</p> <p>Jäähdytyskapasiteetti (järkevä)</p> <p>Jahutusvõimsus (mõõdukas)</p> <p>Dzieszanias kapacitate (jūtamā)</p> <p>Vásinimo galia (tikroji)</p> <p>Kapacitet i tihjes (sensibël)</p> <p>Kapacitet hlađenja (opipljiv)</p>	<p>Heating capacity</p> <p>Heizleistung</p> <p>Puissance de chauffage</p> <p>Verwarmingcapaciteit</p> <p>Capacidad de calefacción</p> <p>Capacità di riscaldamento</p> <p>Απόδοση θέρμανσης</p> <p>Capacidade de aquecimento</p> <p>Isitma kapasitesi</p> <p>Теплопроизводительность</p> <p>Värmekapacitet</p> <p>Oppvarmingskapasitet</p> <p>Topný výkon</p> <p>Kapacitet grijanja</p> <p>Fűtési teljesítmény</p> <p>Capacitate de încălzire</p> <p>Moč ogrevanja</p> <p>Укoлoт oтpеvчeн</p> <p>Отоплителна мощност</p> <p>Wydajność grzewcza</p> <p>Varmekapacitet</p> <p>Lämmitystöho</p> <p>Apsildes kapacitāte</p> <p>Šildymo galia</p> <p>Kapacitet i ngronhjes</p> <p>Kapacitet grijanja</p>	<p>Total electric power input</p> <p>Elektrische Gesamtleistungsaufnahme</p> <p>Entrée électrique totale</p> <p>Totaal opgenomen vermogen</p> <p>Potencia eléctrica de entrada total</p> <p>Potenza elettrica totale assorbita</p> <p>Συνολική ηλεκτρική ισχύς εισόδου</p> <p>Entrada de potencia eléctrica total</p> <p>Секілон топлам електрик гүці</p> <p>Общая потребляемая электрическая мощность</p> <p>Total effektingång</p> <p>Total elektrisk strømeffekt</p> <p>Салкыуы электриккы пйкoн</p> <p>Ukupna primljena snaga električne energije</p> <p>Tejles áramfórrás-bemenet</p> <p>Consum total de putere</p> <p>Skupna vhodna električna moč</p> <p>Салкыуы электриккы пйкoн</p> <p>Общая входящая электрическая мощность</p> <p>Całkowita pobierana energia elektryczna</p> <p>Total elektrisk strømforsyning</p> <p>Sähkötehon kokonaistulo</p> <p>Kogu elektriline sisendvõimsus</p> <p>Kopējā elektriskā ieejas jauda</p> <p>Бендрой електрос ватројамой галія</p> <p>Конsumи total i енергійсe електрикe</p> <p>Ukupna ulazna električna snaga</p>	<p>Sound power level (per speed setting, if applicable)</p> <p>Schalleistungspegel (je Geschwindigkeitsinstellung, falls zutreffend)</p> <p>Niveau de puissance sonore (par réglage de vitesse, le cas échéant)</p> <p>Geluidsvermogeniveau (per snelheidsinstelling, indien van toepassing)</p> <p>Nivel de potencia acústica (según ajuste de velocidad, si corresponde)</p> <p>Livello di potenza sonora (per velocità impostata, se applicabile)</p> <p>Συνολική ηχητική ισχύς (ανρβούρηση τοχύτης, εφόσον δικτιβέται)</p> <p>Nivel de potencia acústica (por regulación de velocidad, se aplicable)</p> <p>Уровень звукового давления (міумкнісе hız ayarı başına)</p> <p>Людeкeкcнвā (per hastighetsinställning, om tillämpligt)</p> <p>Nivā pā lydeffekt (per hastighetsinstilling, hvis tilgængelig)</p> <p>Hladina akustického výkonu (dle nastavení oáček pokud je to použiteiné)</p> <p>Razina jačine zvuka (postavka prema brzini, ako je primjenljivo)</p> <p>Hangerószint (sebességszintenként, ha alkalmazható)</p> <p>Nivel presiune sonorā (în funcție de turajte, dacā este cazul)</p> <p>Равен звуочне моћи (гледе на наставитев hitrosti, če se uporablja)</p> <p>Уровeñ акустичкeño лaкu (на прaстaуиe наставитeв гүчнoсти, ак са роуэива)</p> <p>Ниво на звуковата мощност (за различните настройки на оборотите, ако е приложимо)</p> <p>Poziom mocy dzwieku (dla ustawienia predkości, jeśli dotyczy)</p> <p>Stojnivau (efter hastighedsindstilling hvis relevant)</p> <p>Äänen tehotaso (nopeusasetuksen mukaan, jos sovellettävissa)</p> <p>Helvõimsuse tase (võimalusel olenevalt määratud kiirusest)</p> <p>Skaņas intensitātes līmenis (atbilstīgā gadījumā – katram ātruma iestātijumam)</p> <p>Garso galios lygis (vienai greičio nuostatai, jei taikytina)</p> <p>Niveli i fuqisē sē tingulit (për cilësím shpejtesíe, nëse aplikohet)</p> <p>Nivo zvucne snage (po podešenoj brzini, ako je primjenljivo)</p>

Prated,c (sensible)	Prated,c (latent)	Prated,h	Pelec	Lwa
1.8	0.057	52	0.058	52
2.0	0.057	53	0.058	52
2.7	0.079	61	0.082	61
3.5	0.094	55	0.096	54
3.7	0.109	57	0.103	57
4.3	0.122	60	0.115	61
5.6	0.170	61	0.175	60
6.3	0.189	64	0.190	64
8.3	0.180	60	0.191	59
9.7	0.224	64	0.230	64

Table des matières

1 A propos de la documentation	44
1.1 A propos du présent document	44
1.2 Signification des avertissements et des symboles	45
1.3 Généralités	45
2 Instructions de sécurité spécifiques de l'installateur	45
Pour l'installateur 46	
3 A propos du carton	46
3.1 Déballage et manipulation du ventilo-convecteur	46
3.2 Pour retirer les accessoires du ventilo-convecteur	47
4 À propos des unités et des options	47
4.1 Identification	47
4.1.1 Etiquette d'identification: Ventilo-convecteur	47
5 Installation de l'unité	47
5.1 Préparation du lieu d'installation	47
5.2 Interchangeabilité	48
5.3 Montage de l'unité	48
5.3.1 Pour installer les boulons de suspension	48
5.3.2 Montage de l'unité	49
5.4 Installation de la conduite d'eau	50
5.4.1 Préparation de la tuyauterie d'eau	50
5.4.2 Raccordement de la tuyauterie d'eau	50
5.5 Installation de la conduite de purge	51
5.5.1 Consignes pour l'installation de la tuyauterie de purge	51
5.5.2 Raccordement de la tuyauterie de purge	52
5.6 Installation d'équipement en option	53
5.6.1 Préparation de l'équipement en option	53
5.6.2 Raccordement de l'équipement en option	53
6 Installation électrique	53
6.1 Préparation du câblage électrique	53
6.2 Raccordement du câblage électrique	54
7 Mise en service	55
7.1 Liste de contrôle avant la mise en service	55
Pour l'utilisateur 55	
8 Instructions de sécurité de l'utilisateur	55
8.1 Instructions d'utilisation sûre	55
9 A propos du système	56
10 Avant fonctionnement	56
11 Utilisation	57
11.1 Plage de fonctionnement	57
12 Economie d'énergie et fonctionnement optimal	57
13 Maintenance et entretien	57
13.1 Consignes de sécurité pour la maintenance	57
13.2 Précautions de maintenance et d'entretien	57
13.3 Nettoyage du filtre à air, de la grille d'aspiration, de la sortie d'air et des panneaux extérieurs	58
13.3.1 Pour nettoyer le filtre à air	58
13.4 Maintenance après une longue période d'arrêt	58
13.5 Maintenance avant une longue période d'arrêt	58
13.6 Service après-vente et garantie	58

13.6.1 Inspection et maintenance recommandées	58
13.6.2 Cycles de maintenance et de remplacement raccourcis	59

14 Dépannage	59
14.1 Résolution des problèmes avec votre ventilo-convecteur	59
14.2 Relocalisation	60
15 Mise au rebut	60
16 Données techniques	61
16.1 Schéma de câblage	61
16.2 Dimensions	62
17 Exigences d'information pour l'écoconception	63

1 A propos de la documentation

1.1 A propos du présent document



AVERTISSEMENT

Cet appareil peut être utilisé par des enfants âgés de 8 ans et plus et des personnes ayant des capacités physiques, sensorielles ou mentales réduites ou un manque d'expérience et de connaissances, s'ils ont reçu un encadrement ou des instructions concernant l'utilisation de l'appareil en toute sécurité et comprennent les risques encourus.

Les enfants NE doivent PAS jouer avec l'appareil.

Le enfants ne doivent NI nettoyer l'appareil NI s'occuper de son entretien sans surveillance.

Public visé

Installateurs agréés + utilisateurs finaux



INFORMATION

Cet appareil est destiné à être utilisé dans un environnement commercial, industriel ou d'affaires.

Documentation

Le présent document fait partie d'un ensemble. L'ensemble complet comprend les documents suivants:

- **Précautions de sécurité générales:**
 - Instructions de sécurité à lire avant l'installation
 - Format: Papier (dans le carton de l'unité intérieure)
- **Manuel d'installation et d'utilisation de l'unité intérieure:**
 - Instructions d'installation et d'utilisation
 - Format: Papier (dans le carton de l'unité intérieure)
 - Format: Consultez les fichiers numériques sur <https://www.daikin.eu>. Utilisez la fonction de recherche 🔍 pour trouver votre modèle.








La dernière révision de la documentation fournie est publiée sur le site régional Daikin et est disponible auprès de votre revendeur.

Les instructions originales sont rédigées en anglais. Les autres langues sont les traductions des instructions d'origine.


Données techniques

- Un **sous-ensemble** des récentes données techniques est disponible sur le site régional Daikin (accessible au public).
- L'**ensemble complet** des dernières données techniques est disponible sur le Daikin Business Portal (authentification requise).

1.2 Signification des avertissements et des symboles




	DANGER Indique une situation qui entraîne la mort ou des blessures graves.
	DANGER: RISQUE D'ÉLECTROCUTION Indique une situation qui pourrait entraîner une électrocution.
	DANGER: RISQUE DE BRÛLURE Indique une situation qui pourrait entraîner des brûlures (sévères) en raison de températures extrêmement chaudes ou froides.
	AVERTISSEMENT Indique une situation qui pourrait entraîner la mort ou des blessures graves.
	MISE EN GARDE Indique une situation qui pourrait entraîner des blessures légères ou modérées.
	REMARQUE Indique une situation qui pourrait entraîner des dommages aux équipements ou aux biens.
	INFORMATION Indique des conseils utiles ou des informations supplémentaires.


Symboles utilisés sur l'unité:


Symbole	Explication
	Avant l'installation, lisez le manuel d'installation et d'utilisation ainsi que la fiche d'instructions de câblage.


1.3 Généralités


Si vous avez des DOUTES concernant l'installation ou le fonctionnement de l'unité, contactez votre revendeur.

	AVERTISSEMENT Une installation ou une fixation incorrecte de l'équipement ou des accessoires peut provoquer des décharges électriques, un court-circuit, des fuites, un incendie ou d'autres dommages à l'équipement. Sauf indication contraire, utiliser UNIQUEMENT les accessoires, les équipements en option et les pièces détachées fabriqués ou approuvés par Daikin.
	AVERTISSEMENT Veiller à ce que l'installation, les essais et les matériaux utilisés soient conformes à la législation en vigueur (en plus des instructions décrites dans la documentation Daikin).
	MISE EN GARDE Porter un équipement de protection individuelle adéquat (gants de protection, lunettes de sécurité,...) lors de l'installation, de la maintenance ou de l'entretien du système.


 **AVERTISSEMENT**
Déchirez et jetez les sacs d'emballage en plastique de manière à ce que personne, **NOTAMMENT** les enfants, ne puisse jouer avec. **Conséquence possible:** suffocation.

 **AVERTISSEMENT**
Fournit des mesures adéquates pour éviter que l'unité puisse être utilisée comme abri par de petits animaux. Les petits animaux qui entrent en contact avec des pièces électriques peuvent provoquer des dysfonctionnements, de la fumée ou un incendie.


 **MISE EN GARDE**
NE touchez PAS à l'entrée d'air ou aux ailettes en aluminium de l'unité.

 **MISE EN GARDE**

- Ne PAS placer d'objets ou d'équipement sur le dessus de l'unité.
- Ne PAS s'asseoir, grimper ou se tenir debout sur l'appareil.


 **DANGER: RISQUE D'ÉLECTROCUTION**


- Assurez-vous que le système est correctement mis à la terre.
- **COUPEZ** l'alimentation électrique avant de procéder à l'entretien.
- Installez le couvercle du coffret électrique avant d'allumer l'alimentation électrique.

 **MISE EN GARDE**

- Vérifiez si le lieu d'installation peut supporter le poids de l'unité. Une mauvaise installation est dangereuse. Elle peut également provoquer des vibrations ou un bruit de fonctionnement inhabituel.
- Prévoyez un espace d'entretien suffisant.
- N'installez PAS l'unité de manière à ce qu'elle soit en contact avec un plafond ou un mur, car cela pourrait provoquer des vibrations.


 **DANGER: RISQUE D'ÉLECTROCUTION**
N'actionnez PAS les ventilo-convecteurs avec des mains mouillées. Vous risquez de vous électrocuter.

 **AVERTISSEMENT**
Cette unité contient des composants électriques et des pièces chaudes.

 **AVERTISSEMENT**
Si le câble d'alimentation est endommagé, il **DOIT** être remplacé par le fabricant, son agent de service ou des personnes qualifiées afin d'éviter tout danger.

2 Instructions de sécurité spécifiques de l'installateur

Respectez toujours les consignes de sécurité et les règlements suivants.

 **AVERTISSEMENT**
Assurez-vous que l'installation, l'entretien, la maintenance et la réparation sont conformes aux instructions de Daikin et à la législation en vigueur (par exemple la réglementation nationale sur le gaz) et sont effectués **UNIQUEMENT** par des personnes autorisées.

3 A propos du carton



AVERTISSEMENT

L'installation sera effectuée par un installateur, le choix des matériaux et l'installation seront conformes à la législation en vigueur. La norme applicable en Europe est la norme EN378.



AVERTISSEMENT

Tenez le câblage d'interconnexion éloigné des tuyaux en cuivre sans isolation thermique, car ces tuyaux seront très chauds.



MISE EN GARDE

Pour les murs contenant une structure en métal ou une plaque en métal, utilisez un tuyau encastré dans le mur et un couvercle afin d'empêcher tout risque de chaleur, de décharge électrique ou d'incendie.



REMARQUE

- La tuyauterie sera montée solidement et protégée contre les dommages physiques.
- Réduisez au minimum l'installation de la tuyauterie.



AVERTISSEMENT

- N'utilisez PAS d'éléments électriques achetés localement dans le produit.
- Ne branchez PAS l'alimentation de la vanne, etc. sur le bornier. Cela pourrait provoquer une décharge électrique ou un incendie.

Pour l'installateur

3 A propos du carton

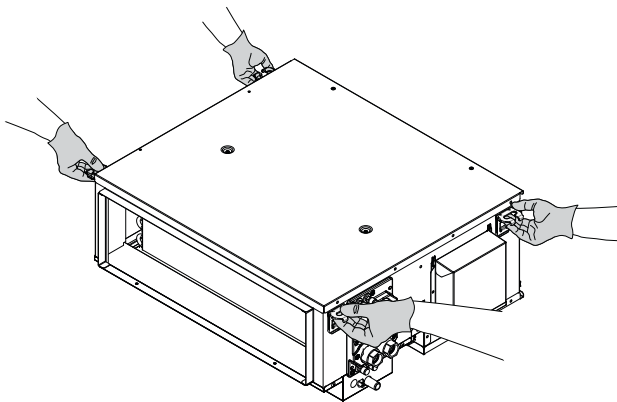
N'oubliez pas les éléments suivants:

- A la livraison, l'unité DOIT être vérifiée pour s'assurer qu'elle n'est pas endommagée et qu'elle est complète. Tout dommage ou pièce manquante DOIT être signalé immédiatement au responsable des réclamations du transporteur.
- Placez l'unité emballée le plus près possible de sa position d'installation finale afin qu'elle ne soit pas endommagée pendant le transport.
- Préparez à l'avance le chemin le long duquel vous souhaitez amener l'unité à sa position d'installation finale.

3.1 Déballage et manipulation du ventilo-convecteur

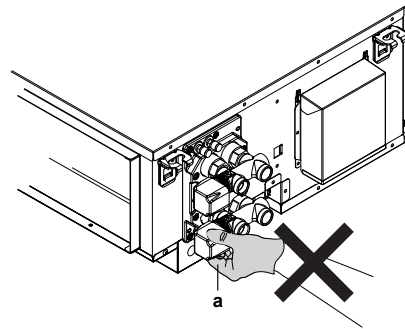
Utilisez une élingue constituée d'un matériau doux ou des plaques de protection avec une corde pour le levage de l'unité. Cela permet d'éviter d'endommager ou de rayer l'unité.

- Soulevez l'unité en la saisissant par les supports suspendus sans exercer aucune pression sur les autres pièces, en particulier sur les tuyauteries d'évacuation et l'isolation thermique.



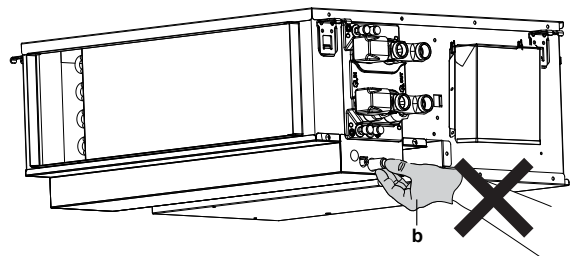
REMARQUE

Ne PAS soulever l'unité par les actionneurs de vanne (a).



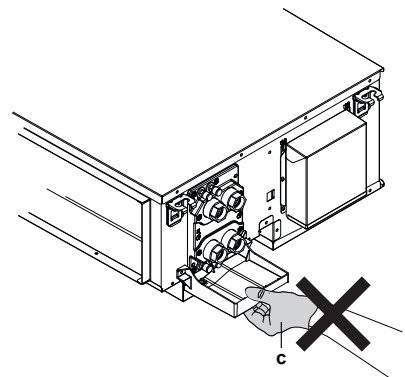
REMARQUE

Ne PAS soulever l'unité par le raccord du bac d'égouttage (b).

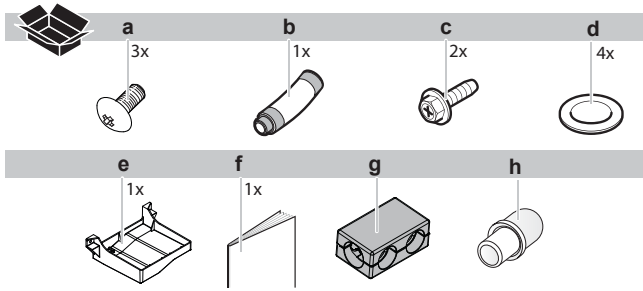


REMARQUE

Ne PAS soulever l'unité par le bac d'égouttage supplémentaire (c).



3.2 Pour retirer les accessoires du ventilo-convecteur



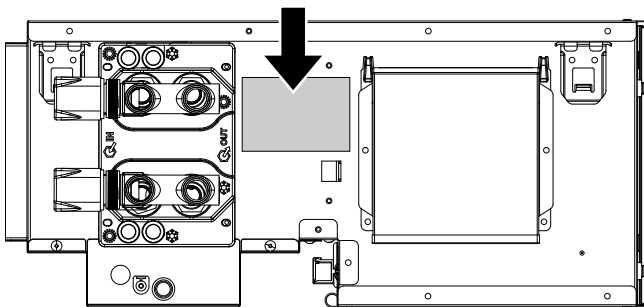
- a Vis M4 pour bac d'égouttage 2x et tuyau d'égouttage 1x
- b Tuyau de vidange
- c Vis M5 pour FWECSAP 2x
- d Joint
- e Bac d'égouttage supplémentaire
- f Manuel d'installation et d'utilisation
- g Isolation thermique des vannes (2 tuyaux: 1x et 4 tuyaux: 2x) (*)
- h Capuchon évasé
- * Uniquement les modèles avec vanne montée en usine

4 À propos des unités et des options

4.1 Identification

4.1.1 Etiquette d'identification: Ventilo-convecteur

Emplacement



Identification du modèle

Exemple: FW E 04 F A T N 5 V3 --

Code	Description
FW	Ventilo-convecteurs à eau
E	ESP à conduit bas
F	Principale série de modèles
A	Modification mineure du modèle
T	2 tuyaux
F	4 tuyaux
N	Sans vanne
V	Vanne 3 voies (ON/OFF - 230 V)
T	Vanne 2 voies (ON/OFF - 230 V)
5	Usine Hendek
V1	1 Ph / 50 Hz / 220-240 V
-	Pas d'option
-	Eau côté gauche, raccordement électrique à gauche
R	Eau côté droit, raccordement électrique à droite

5 Installation de l'unité

5.1 Préparation du lieu d'installation



AVERTISSEMENT

Utilisez TOUJOURS des conduits, des isolants thermiques et des raccords ininflammables; les matériaux inflammables peuvent provoquer un incendie.



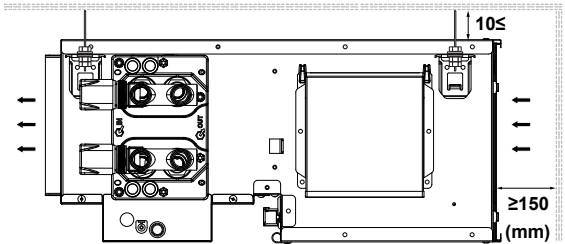
REMARQUE

L'unité doit être installée à $\geq 2,5$ m du sol.



REMARQUE

L'espacement entre le plafond et l'unité doit être de ≥ 10 mm et l'espace d'aspiration doit être ≥ 150 mm.



INFORMATION

Le niveau de pression sonore est inférieur à 70 dBA.



MISE EN GARDE

Appareil PAS accessible au grand public. Installez-le dans une zone sécurisée, à l'abri des accès faciles.

Cette unité est conçue pour l'installation dans un environnement commercial et légèrement industriel.



REMARQUE

Lorsque l'installation par le bas n'est PAS possible, comme dans le cas de plafonds très hauts, l'accès à l'unité pour l'installation et l'entretien doit être possible depuis le haut du plafond.

Sélectionnez un lieu d'installation où les conditions suivantes sont remplies et qui soit approuvé par le client.

- L'espace autour de l'unité est adapté à la maintenance et l'entretien. L'espace autour de l'unité permettra une circulation et une distribution suffisantes de l'air. Voir l'espace requis pour l'installation.
- Assurez-vous que la zone est bien aérée. Ne bloquez AUCUNE bouche de ventilation.
- Assurez-vous que le site d'installation résiste au poids et aux vibrations de l'unité.
- Veillez à ce qu'en cas de fuite d'eau, elle ne puisse pas endommager l'espace d'installation et ses environs.
- Choisissez un endroit où le bruit de fonctionnement ou l'air chaud/froid évacué par l'unité ne dérangera personne tout en respectant la législation en vigueur.
- **Vidange.** Assurez-vous que l'eau de condensation peut être évacuée correctement.
- Aux endroits où la réception est faible, maintenir une distance de 3 m ou plus pour éviter des perturbations électromagnétiques et utiliser des gaines pour les lignes électriques et de transmission.
- **Lampes fluorescentes.** Lors de l'installation d'une régulation à distance sans fil (interface utilisateur) dans une pièce avec des lampes fluorescentes, tenez compte de ce qui suit pour éviter les interférences:
 - Installez la régulation à distance sans fil (interface utilisateur) le plus près possible de l'unité intérieure.
 - Installez l'unité intérieure aussi loin que possible des lampes fluorescentes.

5 Installation de l'unité

N'installez PAS l'unité dans des endroits utilisés souvent comme atelier. S'il y a des travaux de construction (par ex. travaux de découpe) occasionnant beaucoup de poussière, l'unité DOIT être couverte.

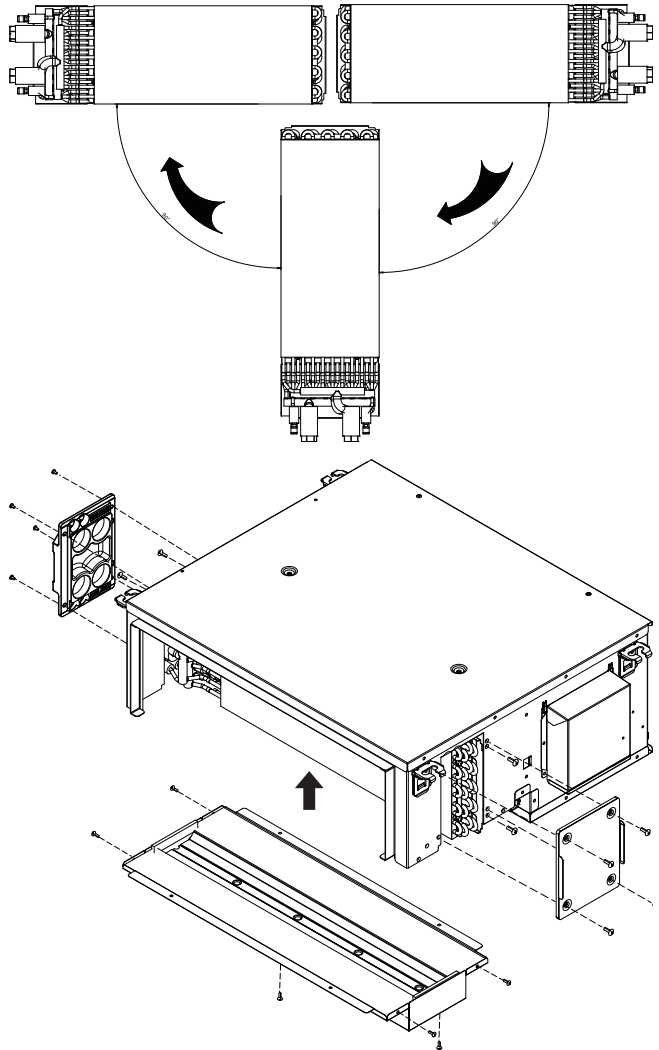
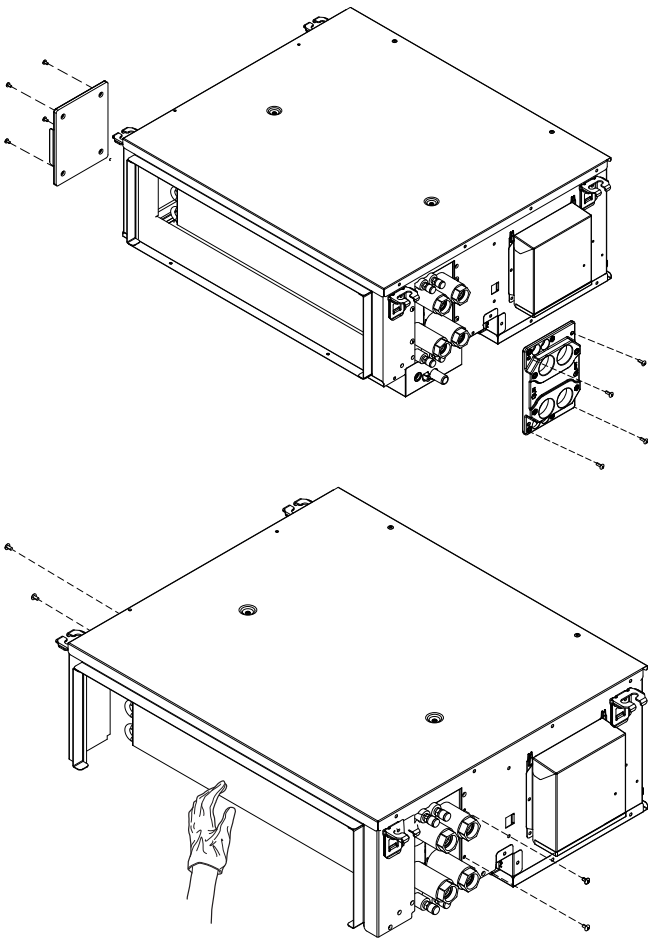
Ne pas installer ou faire fonctionner l'unité dans les pièces décrites ci-dessous.

- Lieux comportant de l'huile minérale ou des vapeurs d'huile ou des sprays comme une cuisine (les pièces en plastique pourraient être endommagées).
- Lieu dans lesquels se trouvent des gaz corrosifs comme du gaz sulfureux. Les tubes en cuivre et les points brasés pourraient se corroder.
- Lieu où l'air contient des niveaux élevés de sel, comme près de la côte et où la tension varie énormément (par exemple dans les usines). Egalement dans les véhicules ou les navires.
- Dans des lieux où une machine émet des ondes électromagnétiques. Les ondes électromagnétiques peuvent perturber le système de commande et causer l'anomalie de fonctionnement de l'équipement.
- Dans des lieux présentant un risque d'incendie lié à des fuites de gaz inflammable (diluant ou essence, par exemple) ou à la présence de fibres de carbone ou de poussières inflammables.
- L'unité ne peut PAS être installée dans une salle de bains.

5.2 Interchangeabilité

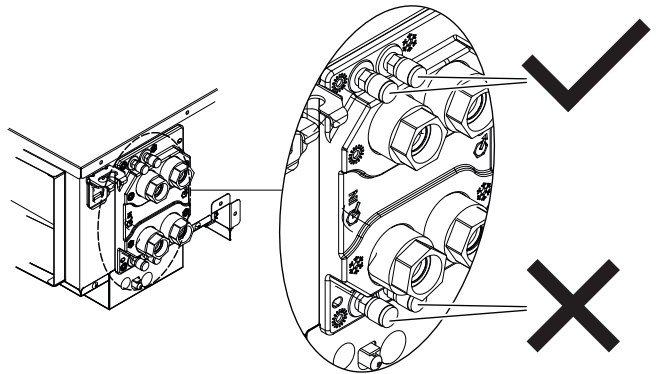
Le sens du produit doit être changé au sol.

Retirez la tôle de protection sur la plaque latérale de l'unité.



REMARQUE

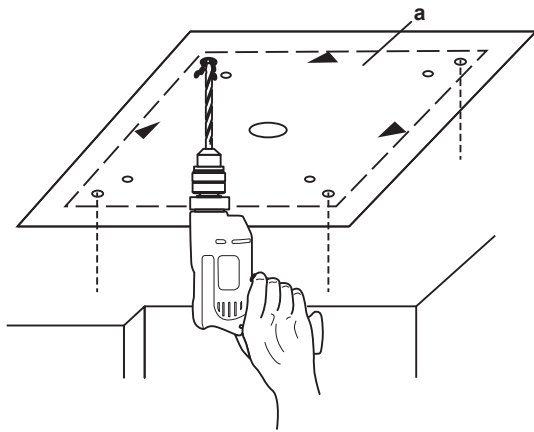
Utilisez TOUJOURS les purges d'air supérieures.



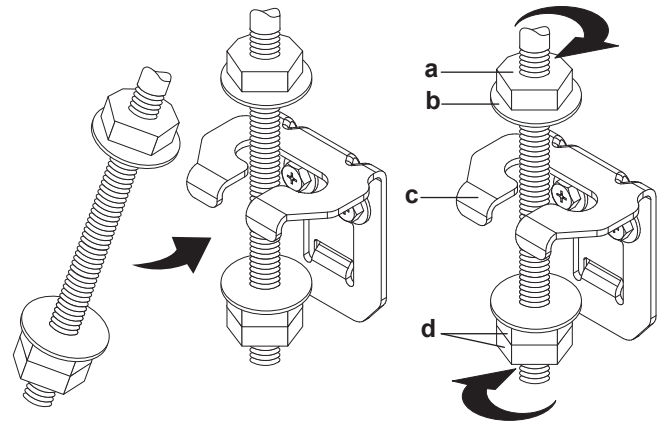
5.3 Montage de l'unité

5.3.1 Pour installer les boulons de suspension

Utilisez le gabarit pour déterminer les positions des boulons de suspension (partie supérieure de l'emballage). La position des boulons de suspension est indiquée sur le gabarit en papier. Les trous peuvent être percés en plaçant le gabarit de papier sur le plafond.



a Gabarit en papier pour l'installation. (partie supérieure de l'emballage)

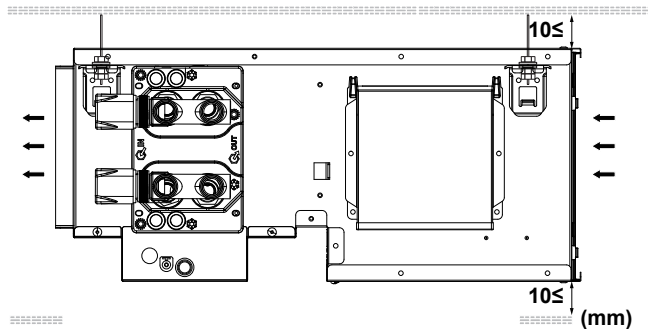


a Ecran (non fourni)
b Rondelle (non fournie)
c Support de suspension
d Double écran (non fourni)

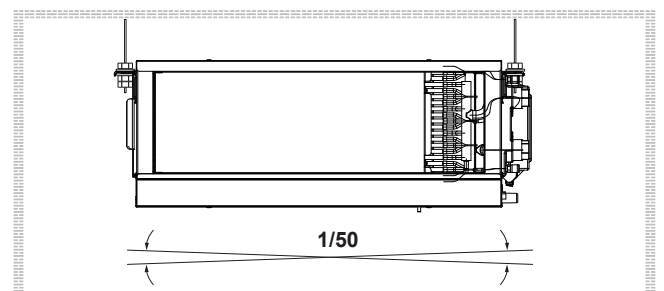
5.3.2 Montage de l'unité

Pratiquez l'ouverture d'installation requise dans le plafond à un endroit approprié. Il pourrait être nécessaire de renforcer le cadre du plafond suspendu de manière à maintenir le plafond à niveau et à l'empêcher de vibrer.

Consulter le constructeur pour plus de détails.



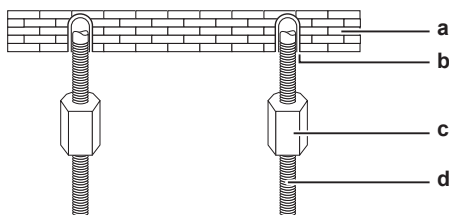
- Ajustez l'unité pour l'amener dans la position correcte d'installation.



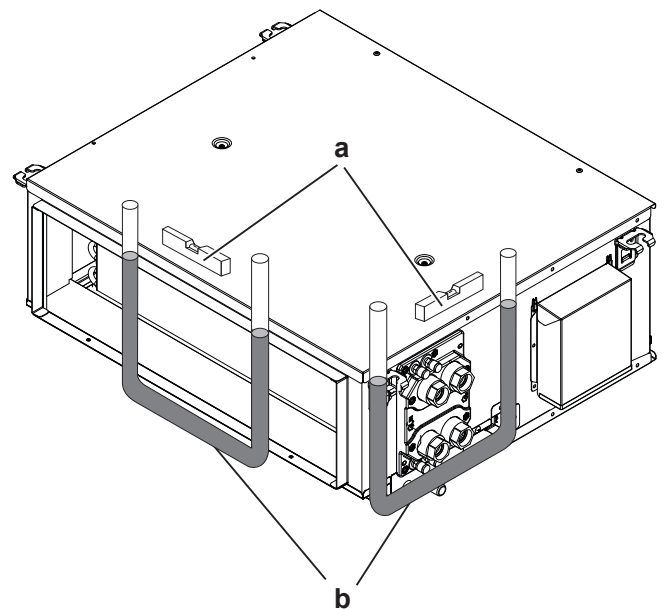
- Vérifier que l'unité est à niveau horizontalement.
- **Niveau.** Assurez-vous que l'unité est à niveau dans les 4 coins, à l'aide d'un niveau à bulle ou d'un tube en vinyle rempli d'eau.

- **Résistance du plafond.** Vérifiez si le plafond est suffisamment solide pour résister au poids de l'unité. S'il y a le moindre risque, renforcez le plafond avant d'installer l'unité.

- Pour les plafonds existants, utilisez des ancrages.
- Pour les nouveaux plafonds, utilisez des inserts noyés, des ancrages noyés ou des pièces fournies sur place.



a Dalle de plafond
b Ancrage
c Écran long ou tendeur à lanterne
d Boulon de suspension



a Niveau
b Tube en vinyle

- **Boulons de suspension.** Utilisez des boulons de suspension M8~M10 pour l'installation. Fixez le support de suspension au boulon de suspension. Veillez à la fixer fermement en utilisant un écran et une rondelle au niveau des parties supérieure et inférieure du support de suspension.



REMARQUE

L'unité ne doit PAS être installée inclinée. **Conséquence possible:** Si l'unité est inclinée dans le sens inverse du flux de condensat (le côté tuyauterie d'évacuation est surélevé), de l'eau risque de goutter.

5 Installation de l'unité

5.4 Installation de la conduite d'eau

5.4.1 Préparation de la tuyauterie d'eau

Avant de procéder aux travaux de tuyauterie d'eau, vérifiez les points suivants:

- La pression d'eau maximale est de 1,6 MPa.
- L'unité est équipée d'une entrée et d'une sortie d'eau destinées à être raccordées à un circuit d'eau. Le circuit d'eau doit être mis en place par un installateur et doit être conforme à la législation applicable.
- La température minimale de l'eau est de 5°C.
- La température d'eau maximum est de 90°C.
- Veillez à installer des composants en mesure de résister à la pression et à la température de l'eau dans la tuyauterie.
- Prévoyez des protections adaptées dans le circuit d'eau de manière à garantir que la pression de l'eau ne dépasse jamais la pression de fonctionnement maximale autorisée.
- Installez un drainage adapté pour la soupape de dégagement de la pression (le cas échéant) de manière à ce que l'eau n'entre pas en contact avec les pièces électriques.
- Installez des robinets d'arrêt au niveau de l'unité de manière à ce que les tâches d'entretien normales puissent être effectuées sans vidanger le système.
- Placez des robinets de drainage à tous les points bas du système de manière à permettre le drainage complet du circuit lors de la maintenance ou de l'entretien de l'unité.
- Placez des vannes de purge d'eau à tous les points hauts du système. Les vannes doivent être placées à des points facilement accessibles de manière à permettre l'entretien.
- Protégez la tuyauterie contre les dommages physiques.

REMARQUE

Assurez-vous que la qualité de l'eau est conforme à la directive européenne 2020/2184.

REMARQUE

L'utilisation de glycol est autorisée, mais la quantité ne devrait PAS dépasser 40% du volume. Une quantité plus importante de glycol peut provoquer des dommages aux composants hydrauliques.

5.4.2 Raccordement de la tuyauterie d'eau

MISE EN GARDE

Utilisez toujours des vannes pour contrôler la circulation de l'eau dans l'unité. Si le ventilo-convecteur est éteint, mais que l'eau continue de circuler dans l'unité, de la condensation se formera sur l'unité et de l'eau pourra couler.

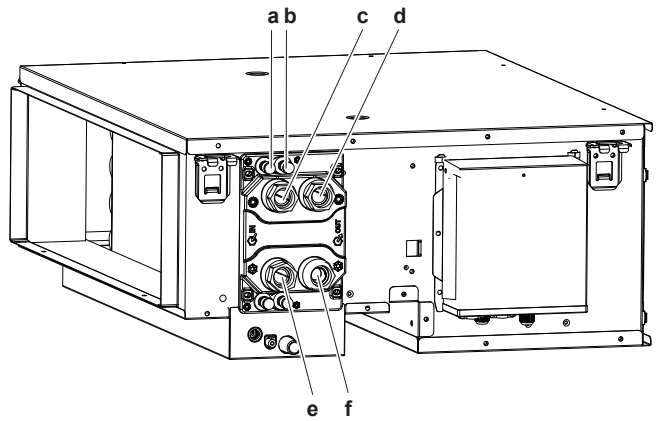
REMARQUE

Ne forcez pas lors du raccordement de la tuyauterie. Cela peut déformer la tuyauterie de l'unité. La déformation de la tuyauterie pourrait entraîner un mauvais fonctionnement de l'unité.

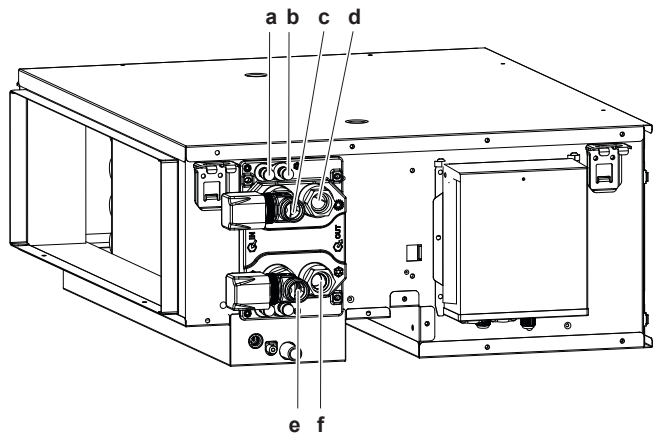
REMARQUE

Veillez à isoler toutes les conduites. Toute tuyauterie exposée est susceptible de provoquer de la condensation.

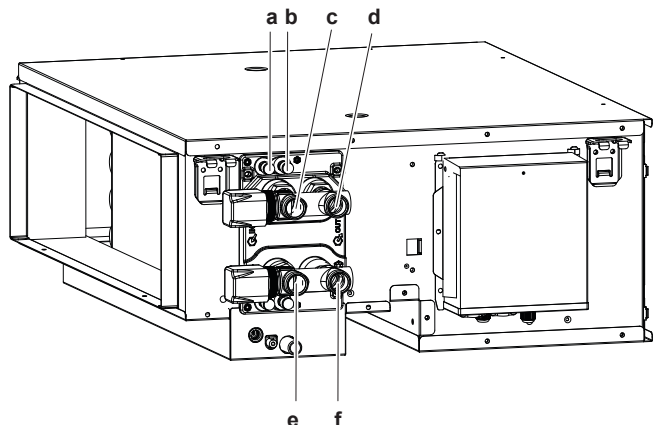
DANGER: RISQUE DE BRÛLURE



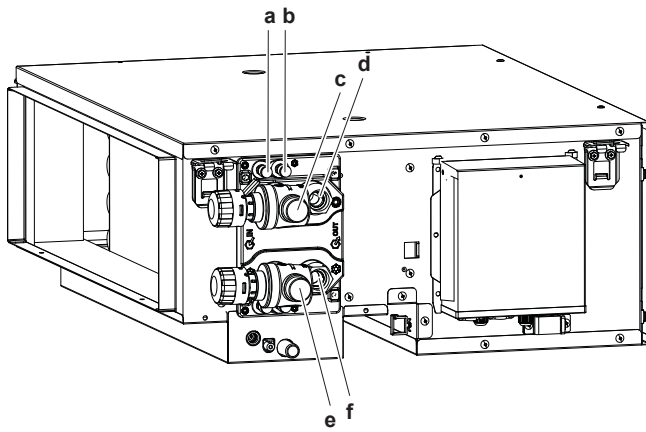
- a Purge d'air de chauffage
- b Purge d'air de refroidissement
- c Entrée d'eau chaude (femelle de 3/4" BSP)
- d Sortie d'eau chaude (femelle de 3/4" BSP)
- e Entrée de refroidissement (femelle de 3/4" BSP)
- f Sortie de refroidissement (femelle de 3/4" BSP)



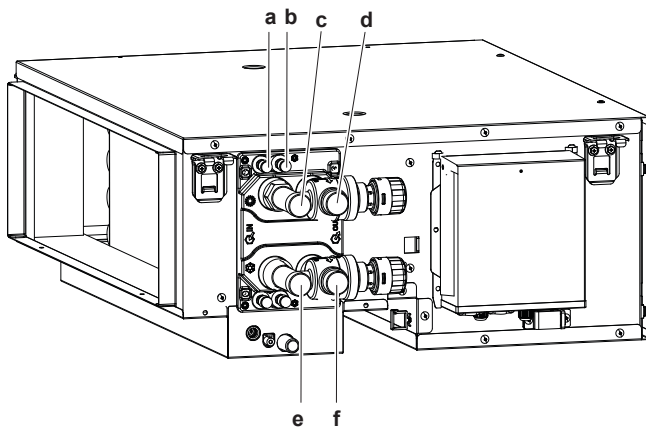
- a Purge d'air de chauffage
- b Purge d'air de refroidissement
- c Entrée d'eau chaude (DN3/4")
- d Sortie d'eau chaude (femelle de 3/4" BSP)
- e Entrée de refroidissement (DN3/4")
- f Sortie de refroidissement (femelle de 3/4" BSP)



- a Purge d'air de refroidissement
- b Purge d'air de chauffage
- c Entrée d'eau chaude (DN3/4")
- d Sortie d'eau chaude (DN3/4")
- e Entrée d'eau froide (DN3/4")
- f Sortie d'eau chaude (DN3/4")

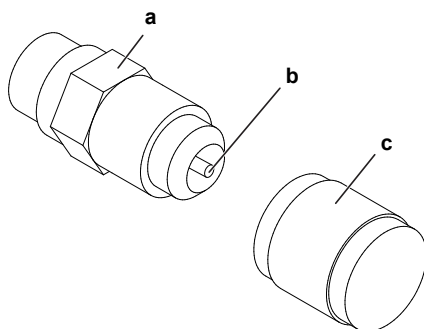


- a Purge d'air de chauffage
- b Purge d'air de refroidissement
- c Entrée d'eau chaude (DN3/4")
- d Sortie d'eau chaude (femelle de 3/4" BSP)
- e Entrée de refroidissement (DN3/4")
- f Sortie de refroidissement (femelle de 3/4" BSP)



- a Purge d'air de chauffage
- b Purge d'air de refroidissement
- c Entrée d'eau chaude (DN3/4")
- d Sortie d'eau chaude (DN3/4")
- e Entrée d'eau froide (DN3/4")
- f Sortie d'eau chaude (DN3/4")

Remplissage du circuit d'eau



- a Purge d'air
- b Soupape de décharge de pression
- c Capuchon

Pendant le remplissage, il se peut qu'il ne soit pas possible de retirer tout l'air du circuit. L'air restant peut être éliminé au cours des premières heures de fonctionnement de l'unité. L'air peut être évacué de l'unité par la vanne manuelle de purge d'air.

- 1 Ouvrez le bouchon.
- 2 Poussez la soupape de surpression pour purger l'air du ou des circuits d'eau de l'unité.
- 3 Fermez le bouchon.
- 4 Il peut être nécessaire de rajouter de l'eau par la suite (mais jamais par la soupape de purge d'air).



REMARQUE

La présence d'air dans le circuit d'eau peut provoquer un dysfonctionnement. Lors du remplissage, il peut s'avérer impossible de retirer tout l'air du circuit. L'air restant sera retiré par les vannes de purge d'air automatique pendant les premières heures de fonctionnement du système. L'ajout d'eau peut être nécessaire par la suite.



REMARQUE

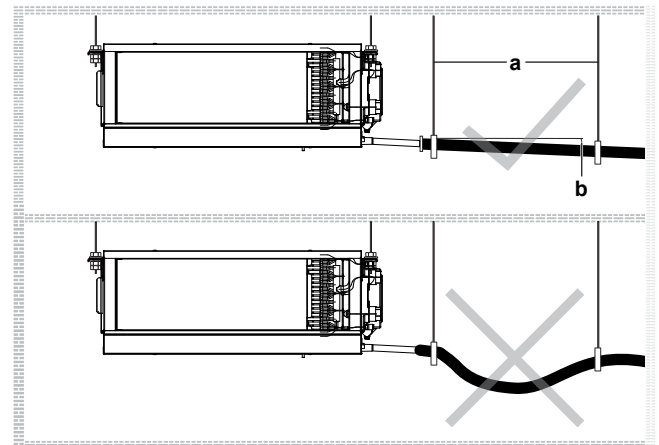
Assurez-vous que la qualité de l'eau est conforme à la directive européenne 2020/2184.

5.5 Installation de la conduite de purge

5.5.1 Consignes pour l'installation de la tuyauterie de purge

Directives générales

- **Longueur du tuyau.** Veillez à ce que la tuyauterie soit la plus courte possible.
- **Taille des tuyaux.** La taille du tuyau doit être égale ou supérieure à celle du tuyau de raccordement (tuyau en vinyle de 25 mm de diamètre nominal et de 32 mm de diamètre extérieur).
- **Condensation.** Prenez des mesures contre la condensation. Isolez la tuyauterie de purge complète dans le bâtiment.
- **Pente.** Assurez-vous que la tuyauterie de purge a une pente (d'au moins 1/50) pour éviter que l'air ne soit emprisonné dans la tuyauterie. Utilisez des barres de suspension comme illustré.



- a Barre de suspension
- ✓ Autorisé
- ✗ Non permis

5 Installation de l'unité

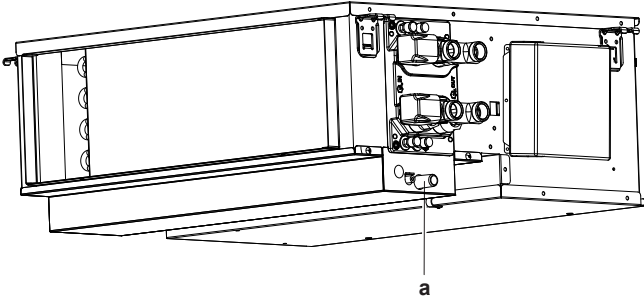
5.5.2 Raccordement de la tuyauterie de purge

Pour connecter la tuyauterie de drainage

REMARQUE

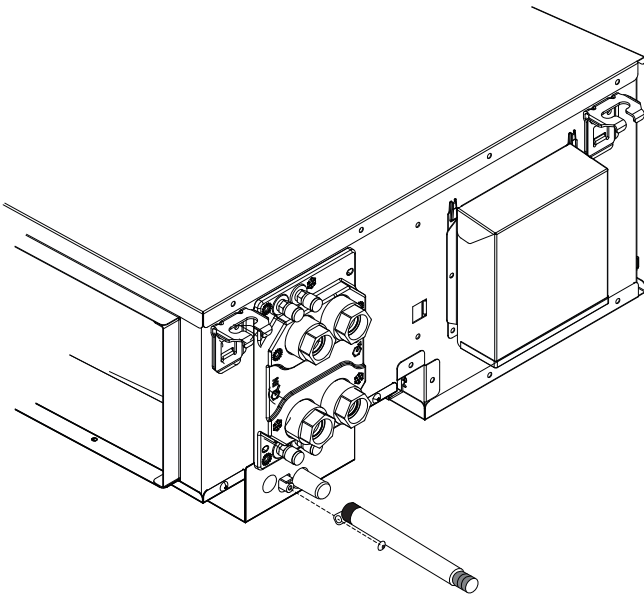
Un branchement incorrect du flexible de purge peut provoquer des fuites et endommager l'emplacement d'installation et la zone environnante.

- 1 Enfoncez le tuyau de purge fourni le plus loin possible par dessus le raccord de purge.
- 2 Serrez la vis du tuyau de vidange à la surface du bac d'égouttage.
- 3 Vérifiez s'il n'y a pas de fuite d'eau.



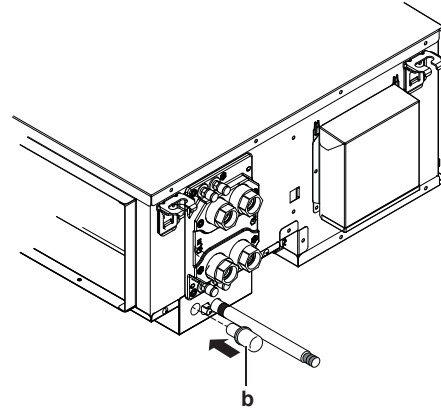
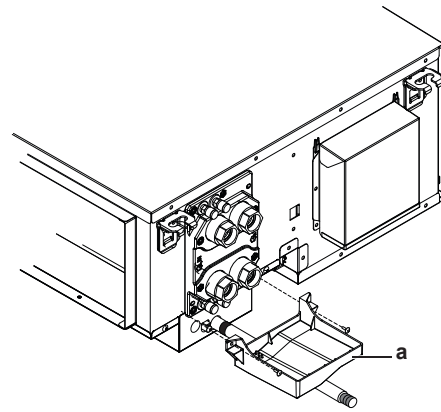
a Douille de purge

- 4 Insérez le tuyau de purge et serrez-le avec la vis de fixation (jeu d'accessoires).



REMARQUE

L'unité doit être utilisée avec un tuyau d'égouttage (le fait de ne pas le serrer peut entraîner des fuites d'eau et des vibrations).

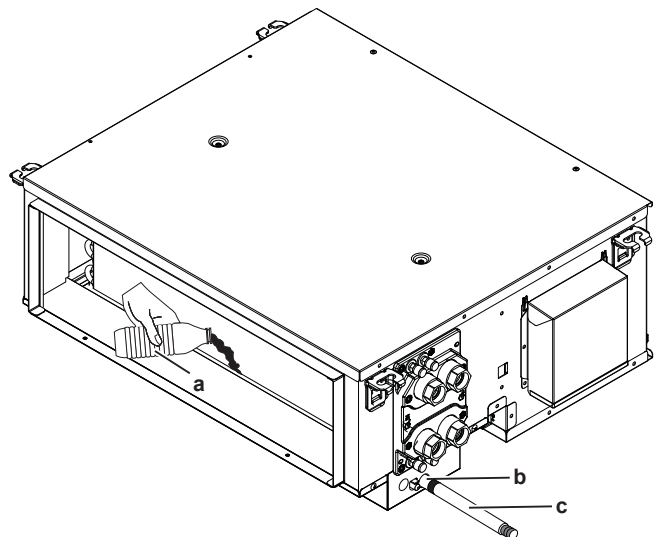


REMARQUE

Si le bac d'égouttage supplémentaire (a) n'est pas utilisé, le trou du bac d'égouttage supplémentaire doit être obturé par un bouchon (b).

Si le câblage électrique est déjà terminé

- 1 Démarrez le mode refroidissement:
- 2 Versez graduellement environ 1 l d'eau par la sortie de décharge d'air et vérifiez s'il y a des fuites.



- a Récipient en plastique
- b Sortie de purge (utilisez cette sortie pour vidanger l'eau du bac d'égouttage)
- c Tuyau de vidange

5.6 Installation d'équipement en option

5.6.1 Préparation de l'équipement en option



INFORMATION

Equipement en option. Lors de l'installation de l'équipement en option, lisez également le manuel d'installation de l'équipement en option. Selon le site, il peut être plus facile d'installer l'équipement en option avant toute chose.

Equipement en option	Code d'identification
Filtre G2	EKAF02G5A
	EKAF03G5A
Vanne à 2 voies ON/OFF (AC 230 V)	EK02WV2V3W5A
	EK04WV2V3C5A
	EK06WV2V3C5A
Vanne à 3 voies ON/OFF (AC 230 V)	EK02WV3V3W5A
	EK04WV3V3C5A
	EK06WV3V3C5A
Vanne proportionnelle (AC 24 V) à 3 voies – vanne 4 orifices	EK02P3V24W5A
	EK04P3V24C5A
	EK06P3V24C5A
Contrôleur à distance	FWEC3A
Contrôleur à distance (pour 2 tuyaux)	FWEC2T
Contrôleur à distance (pour 4 tuyaux)	FWEC4T
Contrôleur à distance (carte de commande de panneau)	FWECSAP
Contrôleur à distance	FWECSAC
Contrôleur à distance	FWTOUCHW
	FWTOUCHB
	FWTOUCHG
Kit de câble de vanne	EKER015A

5.6.2 Raccordement de l'équipement en option

Spécifications techniques des vannes

Valeur Kvs	Pression de service max. PN (bar)	Alimentation électrique de l'actionneur
2,8	16	1 Ph, 230 V, 50-60 Hz
4		
6		

6 Installation électrique



DANGER: RISQUE D'ÉLECTROCUTION



AVERTISSEMENT

Utilisez TOUJOURS des câbles multiconducteurs pour les câbles d'alimentation.



AVERTISSEMENT

Utilisez un disjoncteur de type à déconnexion omnipolaire avec séparation de contact d'au moins 3 mm assurant une déconnexion en cas de surtension de catégorie III.



AVERTISSEMENT

Si le câble d'alimentation est endommagé, il DOIT être remplacé par le fabricant, son agent de service ou des personnes qualifiées afin d'éviter tout danger.

6.1 Préparation du câblage électrique



AVERTISSEMENT

Tous les câblages et composants DOIVENT être installés par un électricien agréé et DOIVENT être conformes à la législation applicable.



DANGER: RISQUE D'ÉLECTROCUTION



AVERTISSEMENT

Un commutateur principal ou d'autres moyens de débranchement ayant une séparation de contact sur tous les pôles DOIT être intégré dans le câblage fixe en fonction de la législation correspondante.



MISE EN GARDE

- Lors du branchement de l'alimentation électrique, connectez d'abord le câble de masse avant d'effectuer les connexions sous tension.
- Lors du débranchement de l'alimentation électrique, débranchez d'abord les câbles sous tension avant de défaire la connexion de masse.
- La longueur des conducteurs entre le stabilisateur de contrainte de l'alimentation et le bloc de bornes proprement dit DOIT être telle que les fils porteurs de courant soient tendus avant que ne le soit le conducteur de terre au cas où le câble d'alimentation électrique se détacherait du stabilisateur de contrainte.



AVERTISSEMENT

- Après avoir terminé les travaux électriques, vérifiez que chaque composant électrique et chaque borne à l'intérieur du coffret électrique sont raccordés fermement.
- Assurez-vous que tous les couvercles sont fermés avant de démarrer les unités.



AVERTISSEMENT

N'appliquer AUCUNE charge permanente inductive ou capacitive au circuit sans s'assurer du non-dépassement de la tension et de l'intensité autorisées pour l'équipement utilisé.



REMARQUE

L'équipement décrit dans ce manuel peut provoquer des parasites électroniques générés par les radiofréquences. Cet équipement est conforme aux spécifications qui sont prévues pour assurer une protection raisonnable contre ces interférences. Toutefois, il n'y a aucune garantie que les interférences ne se produiront pas dans une installation en particulier.

Il est donc recommandé d'installer les équipements et les fils électriques de manière à ce qu'ils soient à une distance suffisante des équipements stéréo, des ordinateurs personnels, etc.

6 Installation électrique



DANGER: RISQUE D'ÉLECTROCUTION

- COUPEZ l'alimentation électrique avant de retirer le couvercle des bornes du ventilateur-convecteur lorsque vous connectez des câbles électriques ou touchez des pièces électriques.
- Coupez l'alimentation électrique pendant plus de 10 minutes et mesurez la tension aux bornes des condensateurs du circuit principal ou des composants électriques avant de procéder aux réparations. Vous ne pouvez pas toucher les composants électriques avant que la tension soit inférieure à 50 V CC. Reportez-vous au schéma de câblage pour connaître l'emplacement des bornes.
- NE touchez PAS les composants électriques avec les mains mouillées.
- NE laissez PAS l'unité sans surveillance lorsque le couvercle du bornier est retiré.



AVERTISSEMENT

- Utilisez UNIQUEMENT des câbles en cuivre.
- Assurez-vous que le câblage non fourni est conforme à la législation applicable.
- L'ensemble du câblage sur place DOIT être réalisé conformément au schéma de câblage fourni avec l'appareil.
- Ne serrez JAMAIS les câbles en faisceau et veillez à ce qu'ils n'entrent PAS en contact avec la tuyauterie ou des bords tranchants. Assurez-vous qu'aucune pression externe n'est appliquée sur le raccordement des bornes.
- Veillez à installer un câblage de terre. Ne mettez PAS l'unité à la terre avec une canalisation, un parasurtenseur ou une prise de terre téléphonique. Une mise à la terre incomplète peut provoquer des décharges électriques.
- Veillez à installer les fusibles ou les disjoncteurs requis.
- Veillez à installer un dispositif de sécurité contre les fuites à la terre. Le non-respect de cette consigne peut provoquer des chocs électriques ou un incendie.

6-1 Spécifications de câblage à effectuer

	2 tuyaux									
	04	05	06	08	10	12	14	16	20	24
Courant de service maximal (A)	0,27	0,27	0,38	0,44	0,48	0,53	0,81	0,88	0,88	1,06
Courant de service maximal (A) avec les vannesFN	0,34	0,34	0,45	0,51	0,55	0,60	0,88	0,95	0,95	1,13
Fusible de surcourant recommandé (A)	5									
Phase	1									
Fréquence (Hz)	50									
Tension (V)	220~240									
Tolérance de tension (%)	±10									
Taille des câbles (section transversale mm ²)	0,75~1,25									
Disjoncteur de fuite à la terre	Doit se conformer à la législation en vigueur									

6-2 Spécifications de câblage à effectuer

	4 tuyaux									
	04	05	06	08	10	12	14	16	20	24
Courant de service maximal (A)	0,26	0,26	0,37	0,43	0,50	0,56	0,79	0,87	0,83	1,04
Courant de service maximal (A) avec les vannesFN	0,33	0,33	0,44	0,50	0,57	0,63	0,86	0,94	0,90	1,11
Fusible de surcourant recommandé (A)	5									
Phase	1									
Fréquence (Hz)	50									
Tension (V)	220~240									
Tolérance de tension (%)	±10									
Taille des câbles (section transversale mm ²)	0,75~1,25									
Disjoncteur de fuite à la terre	Doit se conformer à la législation en vigueur									

6.2 Raccordement du câblage électrique



DANGER: RISQUE D'ÉLECTROCUTION



AVERTISSEMENT

Utilisez TOUJOURS des câbles multiconducteurs pour les câbles d'alimentation.



AVERTISSEMENT

Utilisez un disjoncteur de type à déconnexion omnipolaire avec séparation de contact d'au moins 3 mm assurant une déconnexion en cas de surtension de catégorie III.



AVERTISSEMENT

Si le câble d'alimentation est endommagé, il DOIT être remplacé par le fabricant, son agent de service ou des personnes qualifiées afin d'éviter tout danger.

REMARQUE

Précautions lors de la mise en place du câblage d'alimentation:



- Ne raccordez PAS des câbles de différentes épaisseurs au bornier d'alimentation (tout relâchement dans le câblage d'alimentation peut causer une surchauffe anormale).
- Lorsque vous raccordez des câbles de la même épaisseur, faites comme indiqué sur la figure ci-dessus.
- Pour le câblage, utilisez le fil électrique indiqué, raccordez-le fermement, puis fixez de manière à ce que le bornier ne puisse pas être soumis à la pression extérieure.
- Utilisez un tournevis adapté pour serrer les vis des bornes. Un tournevis avec une petite tête endommagera la tête et empêchera le serrage correct.
- Un serrage excessif des vis de bornes peut les casser.

REMARQUE

- Respectez le schéma de câblage électrique (fourni avec l'unité, situé à l'intérieur du couvercle de service).
- Pour savoir comment brancher l'équipement optionnel, consultez le manuel d'installation livré avec l'équipement optionnel.
- Assurez-vous que le câblage électrique ne gêne PAS la remise en place correcte du couvercle d'entretien.

Il est important de garder les câbles d'alimentation électrique et de transmission séparés l'un de l'autre. Afin d'éviter des interférences électriques, la distance entre les deux câbles doit TOUJOURS être d'au moins 50 mm.

REMARQUE

Veillez à maintenir le câble d'alimentation et le câble de transmission écartés. Le câblage de transmission et d'alimentation peut croiser, mais ne peut être acheminé en parallèle.

7 Mise en service**REMARQUE**

N'interrompez PAS le test.

7.1 Liste de contrôle avant la mise en service

- 1 Après l'installation de l'unité, vérifiez les points ci-dessous.
- 2 Fermez l'unité.
- 3 Mettez l'unité sous tension.

<input type="checkbox"/>	Vous avez lu toutes les consignes d'installation, comme indiqué dans le guide de référence de l'installateur .
<input type="checkbox"/>	Les unités intérieures sont correctement montées.
<input type="checkbox"/>	Il n'y a PAS de phases manquantes ni de phases inversées .
<input type="checkbox"/>	Le système est correctement relié à la masse et les bornes de terre sont serrées.
<input type="checkbox"/>	Les fusibles ou les dispositifs de protection installés localement sont conformes au présent document et n'ont PAS été contournés.
<input type="checkbox"/>	La tension d'alimentation correspond à la tension indiquée sur l'étiquette d'identification de l'unité.
<input type="checkbox"/>	Le coffret électrique ne contient PAS de raccords desserrés ou de composants électriques endommagés.
<input type="checkbox"/>	Il n'y a PAS de composants endommagés ou de tuyaux coincés à l'intérieur des unités intérieure et extérieure.
<input type="checkbox"/>	Les tuyaux installés sont de taille correcte et sont correctement isolés.

Pour l'utilisateur**8 Instructions de sécurité de l'utilisateur**

Respectez toujours les consignes de sécurité et les règlements suivants.

8.1 Instructions d'utilisation sûre**MISE EN GARDE**

NE PAS insérer les doigts, de tiges ou d'autres objets dans l'entrée ou la sortie d'air. Lorsque le ventilateur tourne à haute vitesse, il peut provoquer des blessures.

MISE EN GARDE: Attention au ventilateur!

Il est dangereux d'inspecter l'unité quand le ventilateur tourne.

Veillez à COUPER l'interrupteur principal avant d'exécuter toute tâche de maintenance.

MISE EN GARDE

Après une longue utilisation, vérifiez le support de l'unité et les fixations pour voir s'ils ne sont pas endommagés. En cas de détérioration, l'unité peut tomber et de présenter un risque de blessure.

9 A propos du système

MISE EN GARDE

Il n'est pas bon pour la santé d'exposer son corps au flux d'air pendant une période prolongée.

MISE EN GARDE

Ne touchez JAMAIS aux pièces internes du dispositif de régulation.

DANGER: RISQUE D'ÉLECTROCUTION

Pour nettoyer le climatiseur ou le filtre à air, veillez à interrompre le fonctionnement et à COUPER les alimentations électriques. Sinon, il y a un risque de choc électrique et de blessure.

AVERTISSEMENT

Veillez à ce que les ouvertures de ventilation nécessaires soient dégagées de toute obstruction.

AVERTISSEMENT

Désactivée le fonctionnement et COUPEZ l'alimentation si quelque chose d'inhabituel se produit (odeurs de brûlé, etc.).

Si l'unité continue de tourner dans ces circonstances, il y a un risque de cassure, d'électrocution ou d'incendie. Contactez votre revendeur.

AVERTISSEMENT

Ne touchez JAMAIS la sortie d'air ou les lames horizontales lorsque le volet oscillant fonctionne. Les doigts peuvent être pris ou l'unité peut se casser.

AVERTISSEMENT

Ne placez PAS une bombe inflammable près du climatiseur et n'utilisez pas de sprays près de l'unité. Cela risque de provoquer un incendie.

AVERTISSEMENT

Avant d'utiliser l'unité, assurez-vous que l'installation a été effectuée correctement par un installateur.

AVERTISSEMENT

Pour éviter des dommages mécaniques, l'appareil sera stocké dans une pièce bien ventilée sans sources d'allumage fonctionnant en permanence (par ex.: flammes nues, un appareil fonctionnant au gaz ou un chauffage électrique). Les dimensions de la pièce doivent être conformes à celles spécifiées dans les Précautions générales de sécurité.

9 A propos du système

AVERTISSEMENT

NE PAS modifier, démonter, retirer, remonter ou réparer l'unité soi-même car un démontage ou une installation incorrects peuvent provoquer une électrocution ou un incendie. Contactez votre revendeur.

REMARQUE

N'utilisez PAS le système à d'autres fins. Afin d'éviter toute détérioration de la qualité, n'utilisez PAS l'unité pour refroidir des instruments de précision, de l'alimentation, des plantes, des animaux ou des œuvres d'art.

REMARQUE

Pour des modifications ou extensions futures de votre système:

Un aperçu complet des combinaisons autorisées (pour des extensions futures du système) est disponible dans les données techniques et doit être consulté. Contactez votre installateur pour recevoir davantage d'informations et un conseil professionnel.

10 Avant fonctionnement

AVERTISSEMENT

Cette unité contient des composants électriques et des pièces chaudes.

AVERTISSEMENT

Avant d'utiliser l'unité, assurez-vous que l'installation a été effectuée correctement par un installateur.

MISE EN GARDE

N'exposez JAMAIS les petits enfants, les plantes ou les animaux directement au flux d'air.

Ce manuel d'utilisation a été rédigé pour les systèmes suivants avec commande standard. Avant la première utilisation, prendre contact avec votre revendeur pour connaître le fonctionnement qui correspond à votre type de système et à sa marque. Si votre installation possède un système de commande personnalisé, demander à votre revendeur quel est le fonctionnement qui correspond à votre système.

Modes de fonctionnement:

- Chauffage et refroidissement (air/air).
- Mode ventilateur uniquement (air/air).

Ce manuel d'utilisation donne un aperçu non exhaustif des fonctions principales du système.

Pour de plus amples informations concernant l'interface utilisateur, voir le manuel d'utilisation de l'interface utilisateur installée.

11 Utilisation

11.1 Plage de fonctionnement

Les conditions suivantes sont des limites d'utilisation standard. Pour des conditions différentes, veuillez consulter votre revendeur.

Mode	Condition	Limite de température de l'air, (BS/BH)	Limite de température de l'eau, (entrée/sortie)	Delta eau T, ΔT
Refroidissement (°C)	Min.	15/6 (HR%20)	5/8	3 à 10
	Max.	33/26 (HR%58)	18/28	
Chauffage (°C)	Min.	15/**	35/30	5 à 20
	Max.	27/**	90/70	

12 Economie d'énergie et fonctionnement optimal

Respecter les précautions suivantes pour assurer un fonctionnement correct du système.

- Régler correctement la sortie d'air et éviter un écoulement direct de l'air sur les occupants de la pièce.
- Réglez correctement la température de la pièce pour obtenir un environnement confortable. Evitez un chauffage ou un refroidissement excessif.
- Empêchez l'entrée des rayons directs du soleil dans une pièce pendant l'opération de rafraîchissement en tirant des rideaux ou des stores.
- Ventiler régulièrement. L'utilisation prolongée requiert une attention spéciale à la ventilation.
- Laissez les portes et les fenêtres fermées. Si les portes et les fenêtres restent ouvertes, de l'air s'échappe de la pièce, ce qui réduit l'effet de refroidissement ou du chauffage.
- Veillez à ne pas trop refroidir ou chauffer. Pour économiser l'énergie, gardez le réglage de température à un niveau modéré.
- Ne placez JAMAIS des objets près de l'entrée ou de la sortie d'air de l'unité. Cela pourrait réduire l'effet de chauffage/refroidissement ou interrompre le fonctionnement.
- De la condensation peut se former si l'humidité dépasse 80% ou si la sortie de l'évacuation est bouchée.



REMARQUE

N'utilisez PAS le système à d'autres fins. Afin d'éviter toute détérioration de la qualité, n'utilisez PAS l'unité pour refroidir des instruments de précision, de l'alimentation, des plantes, des animaux ou des œuvres d'art.



MISE EN GARDE

N'actionnez PAS le système lors de l'utilisation d'un insecticide à fumigation. Les produits chimiques pourraient s'accumuler dans l'unité et mettre en danger la santé de ceux qui sont hypersensibles aux produits chimiques.

13 Maintenance et entretien

13.1 Consignes de sécurité pour la maintenance



DANGER: RISQUE DE BRÛLURE



DANGER: RISQUE D'ÉLECTROCUTION



REMARQUE

Gardez le filtre à air propre et vérifiez périodiquement le débit d'air.



AVERTISSEMENT

- Avant d'effectuer la moindre maintenance ou réparation, coupez TOUJOURS le disjoncteur sur le panneau d'alimentation.
- Veillez à ne PAS toucher de partie conductrice.
- Ne rincez PAS l'extérieur de l'unité. Cela peut entraîner des décharges électriques ou des incendies.

Pour nettoyer la partie extérieure du ventilo-convecteur:

- 1 Mettez le ventilo-convecteur hors tension.
- 2 Nettoyez la partie extérieure du ventilo-convecteur à l'aide d'un chiffon doux.



MISE EN GARDE

- N'obstruez PAS les orifices d'entrée et de sortie d'air de l'unité.
- Ne placez PAS de vêtements humides ou mouillés sur la grille de sortie d'air de l'unité.
- Ne versez PAS de liquide à l'intérieur de l'équipement.

Ne nettoyez jamais le ventilo-convecteur avec:

- des produits solvants chimiques agressifs,
- de l'eau à plus de 50°C.

Contactez l'installateur ou l'entreprise en charge de l'entretien pour la maintenance du ventilo-convecteur.

13.2 Précautions de maintenance et d'entretien



REMARQUE

N'inspectez ni n'entretenez JAMAIS l'unité vous-même. Demandez à un technicien qualifié d'exécuter ce travail. Toutefois, en tant qu'utilisateur final, vous pouvez nettoyer le filtre à air, la grille d'aspiration, la sortie d'air et les panneaux extérieurs.



AVERTISSEMENT

Ne remplacez JAMAIS un fusible par un autre d'un mauvais ampérage ou par d'autres fils quand un fusible grille. L'utilisation d'un fil de fer ou de cuivre peut provoquer une panne de l'unité ou un incendie.



MISE EN GARDE

Après une longue utilisation, vérifiez le support de l'unité et les fixations pour voir s'ils ne sont pas endommagés. En cas de détérioration, l'unité peut tomber et de présenter un risque de blessure.



REMARQUE

Ne frottez pas le panneau de commande du dispositif de régulation avec du benzène, du dissolvant, un chiffon pour poussière chimique, etc. Le panneau peut se décolorer ou le revêtement peut se détacher. S'il est fortement encrassé, plongez un chiffon dans une solution détergente neutre, tordez le bien et frottez le panneau. Séchez-le avec un autre chiffon sec.



MISE EN GARDE

Avant d'accéder aux dispositifs des bornes, veillez à interrompre toute l'alimentation.

13 Maintenance et entretien

REMARQUE

Lors du nettoyage de l'échangeur thermique, veillez à retirer le coffret électrique, le moteur de ventilateur, la pompe de vidange et le contacteur à flotteur. L'eau ou un détergent pourrait détériorer l'isolation des composants électroniques et entraîner la carbonisation de ces composants.

AVERTISSEMENT

Faites attention aux échelles lorsque vous travaillez en hauteur.

13.3 Nettoyage du filtre à air, de la grille d'aspiration, de la sortie d'air et des panneaux extérieurs

MISE EN GARDE

Mettez l'unité hors tension avant de nettoyer le filtre à air, la grille d'aspiration, la sortie d'air et les panneaux extérieurs.

REMARQUE

- Ne frottez PAS énergiquement lors du lavage de la pale à l'eau. **Conséquence possible:** L'étanchéité de surface pourrait s'écailler.

Nettoyez à l'aide d'un chiffon doux. Si des taches sont difficiles à enlever, utilisez de l'eau ou un détergent neutre.

13.3.1 Pour nettoyer le filtre à air

Quand nettoyer le filtre à air:

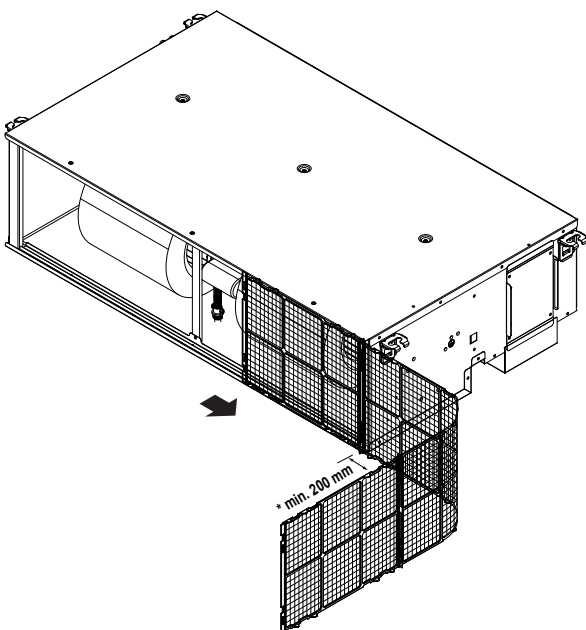
- Règle d'or: Une fois tous les 6 mois. Si l'air de la pièce est extrêmement encrassé, augmentez la fréquence de nettoyage.
- Si la saleté devient impossible à nettoyer, changer le filtre à air (= équipement en option).

Comment nettoyer le filtre à air:

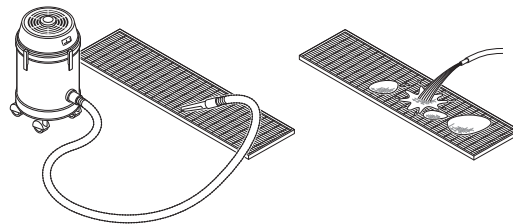
REMARQUE

N'utilisez PAS d'eau à 50°C ou plus. **Conséquence possible:** Décoloration et déformation.

- Coupez l'alimentation électrique. Le filtre à air peut être installé à droite ou à gauche. Retirez le filtre en le faisant glisser comme indiqué ci-dessous.



- Nettoyez le filtre à air. Utilisez un aspirateur ou nettoyez à l'eau. Si le filtre à air est très sale, utilisez une brosse douce et un détergent neutre.



- Séchez le filtre à air dans l'ombre.
- Refixez le filtre à air et fermez la grille d'aspiration.

13.4 Maintenance après une longue période d'arrêt

E.g., at the beginning of the season.

- Vérifiez et retirez tout ce qui pourrait bloquer les ouïes d'entrée et de sortie des unités intérieures et des unités extérieures.
- Nettoyez les filtres à air et les bâtis des unités intérieures (reportez-vous à "13.3.1 Pour nettoyer le filtre à air" [p. 58] et Nettoyage de la sortie d'air et des panneaux extérieurs).

13.5 Maintenance avant une longue période d'arrêt

E.g., at the end of the season.

- Faites fonctionner les unités intérieures en mode ventilateur uniquement pendant environ une demi-journée pour sécher l'intérieur des unités. Reportez-vous à A propos du mode refroidissement, chauffage, ventilateur uniquement et automatique pour plus de détails sur le fonctionnement du ventilateur uniquement.
- Coupez l'alimentation électrique. L'affichage de l'interface utilisateur disparaît.
- Nettoyez les filtres à air et les bâtis des unités intérieures (reportez-vous à "13.3.1 Pour nettoyer le filtre à air" [p. 58] et Nettoyage de la sortie d'air et des panneaux extérieurs).

13.6 Service après-vente et garantie

13.6.1 Inspection et maintenance recommandées

Etant donné que la poussière s'accumule lorsque l'unité est utilisée pendant plusieurs années, les performances de l'unité risquent de se détériorer dans une certaine mesure. Comme le démontage et le nettoyage de l'intérieur de l'unité nécessitent une certaine compétence technique, et afin de garantir la meilleure maintenance possible de vos unités, nous vous recommandons de conclure un contrat de maintenance et d'inspection en plus des activités de maintenance normales. Notre réseau de revendeurs a accès à un stock permanent de composants essentiels afin de maintenir votre unité en état de marche le plus longtemps possible. Contactez votre revendeur pour plus d'informations.

Lors de l'appel d'un revendeur pour une intervention, toujours mentionner:

- Le nom complet du modèle de l'unité.
- Le numéro de fabrication (mentionné sur la plaquette de l'unité).
- La date d'installation.
- Les symptômes ou le dysfonctionnement, ainsi que les détails de la défaillance.

**AVERTISSEMENT**

NE PAS modifier, démonter, retirer, remonter ou réparer l'unité soi-même car un démontage ou une installation incorrects peuvent provoquer une électrocution ou un incendie. Contactez votre revendeur.

13.6.2 Cycles de maintenance et de remplacement raccourcis

Un raccourcissement du "cycle de maintenance" et du "cycle de remplacement" doit être envisagé dans les cas suivants:

L'unité est utilisée dans des endroits où:

- la chaleur et l'humidité fluctuent de manière anormale;
- les variations de courant sont élevées (tension, fréquence, distorsion sinusoïdale, etc.) (L'unité ne peut pas être utilisée si une variation de l'alimentation électrique se trouve en dehors de la plage admise);
- des coups et des vibrations sont fréquents;
- de la poussière, du sel, des gaz nocifs tels que l'acide sulfureux et le sulfure d'hydrogène sont présents dans l'air;
- la machine démarre et s'arrête fréquemment ou si sa durée de fonctionnement est longue (sites avec climatisation de 24 heures).

Cycle de remplacement recommandé pour les pièces d'usure

Composant	Cycle d'inspection	Cycle de maintenance (remplacements et/ou réparations)
Filtre à air	1 an	5 ans
Filtre haute efficacité		1 an
Fusible		10 ans
Pièces sous pression		En cas de corrosion, prenez contact avec votre revendeur Daikin.

**INFORMATION**

Des dégâts dus au démontage ou au nettoyage de l'intérieur des unités par toute personne non habilitée (autre qu'un revendeur agréé) ne peuvent pas faire l'objet d'un recours en garantie.

14 Dépannage

Si un des mauvais fonctionnements suivants se produit, prendre les mesures ci-dessous et contacter le fournisseur.

Le système DOIT être réparé par un technicien qualifié.

Dysfonctionnement	Mesure
Si un dispositif de sécurité, comme un fusible, un disjoncteur ou un disjoncteur différentiel se déclenche fréquemment ou si l'interrupteur marche/arrêt ne fonctionne pas correctement.	Mettez l'interrupteur principal sur arrêt.
De l'eau fuit de l'unité.	Arrêtez le fonctionnement.
L'interrupteur de marche ne fonctionne pas bien.	Couper l'alimentation électrique.

Si le système ne fonctionne PAS correctement, sauf dans les cas susmentionnés, et qu'aucun des dysfonctionnement ci-dessus n'est apparent, inspectez le système conformément aux procédures suivantes.

Dysfonctionnement	Mesure
Lorsque le système ne fonctionne pas du tout.	<ul style="list-style-type: none"> Vérifiez s'il y a une panne de courant. Attendez jusqu'à ce que le courant soit rétabli. Vérifiez qu'aucun fusible n'a fondu et qu'aucun disjoncteur ne s'est déclenché. Changez le fusible ou réinitialisez le disjoncteur si nécessaire.
Le système fonctionne mais le refroidissement ou le chauffage est insuffisant.	<ul style="list-style-type: none"> Vérifiez que l'arrivée ou la sortie d'air de l'unité intérieure ou de l'unité extérieure n'est pas bouchée par des obstacles. Retirez les obstacles et assurez-vous que l'air circule librement. Vérifiez si le filtre à air n'est pas obstrué (voir "13.3.1 Pour nettoyer le filtre à air" [p 58]). Vérifiez le réglage de la température. Vérifiez le réglage de la vitesse du ventilateur sur votre interface utilisateur. Vérifiez si des portes ou des fenêtres sont ouvertes. Fermez-les pour empêcher le vent de pénétrer. Vérifiez qu'il n'y a pas trop d'occupants dans la pièce pendant l'opération de refroidissement. Vérifiez que la source de chaleur de la pièce n'est pas excessive. Vérifiez que les rayons directs du soleil ne pénètrent pas dans la pièce. Utilisez des rideaux ou des stores. Vérifiez si l'angle de débit d'air est correct.

S'il est impossible de remédier au problème soi-même après avoir vérifié tous les éléments ci-dessus, contactez votre installateur et communiquez-lui les symptômes, le nom complet du modèle de l'unité (avec le numéro de fabrication si possible) et la date d'installation.

14.1 Résolution des problèmes avec votre ventilo-convecteur

Le ventilo-convecteur ne fonctionne pas

Si le ventilo-convecteur ne fonctionne pas:

Vérification:	Si oui,
Le ventilo-convecteur est-il HORS TENSION ?	Mettez le ventilo-convecteur SOUS TENSION .
Y a-t-il une coupure d'électricité ?	Rétablissez l'alimentation.
Le disjoncteur (fusible) s'est-il déclenché ?	Contactez l'installateur ou l'entreprise en charge de l'entretien.

Le ventilo-convecteur ne refroidit ou ne chauffe pas bien

Si le ventilo-convecteur ne refroidit ou ne chauffe pas bien:

Vérification:	Si oui,
Y a-t-il un obstacle à proximité de l'entrée d'air ou de la sortie d'air ?	Retirez l'obstacle.
Les portes et les fenêtres sont-elles ouvertes ?	Fermez les portes et les fenêtres.
Le ventilo-convecteur fonctionne-t-il à faible vitesse ?	Sélectionnez la vitesse moyenne ou la vitesse élevée .

15 Mise au rebut

Vérification:	Si oui,
Les filtres à air sont-ils sales ?	Contactez l'installateur ou l'entreprise en charge de l'entretien.

Le ventilo-convecteur fuit

Arrêtez l'unité et contactez l'installateur ou l'entreprise en charge de l'entretien.

Si le ventilo-convecteur ne fonctionne pas bien, vous pouvez tenter de résoudre le problème à l'aide des mesures correctives du présent chapitre.

Si le problème persiste ou n'est pas traité dans ce chapitre, contactez l'installateur ou l'entreprise en charge de l'entretien.

14.2 Relocalisation

Contactez votre revendeur pour retirer et réinstaller l'ensemble de l'unité. Le déplacement des unités exige une compétence technique.

15 Mise au rebut

- Les unités disposent du symbole suivant:



Ce symbole signifie que les appareils électriques et électroniques NE peuvent PAS être mélangés à des ordures ménagères non triées. NE tentez PAS de démonter le système: le démontage du système et le traitement du réfrigérant, de l'huile et des autres pièces DOIVENT être assurés par un installateur agréé, conformément à la législation applicable.

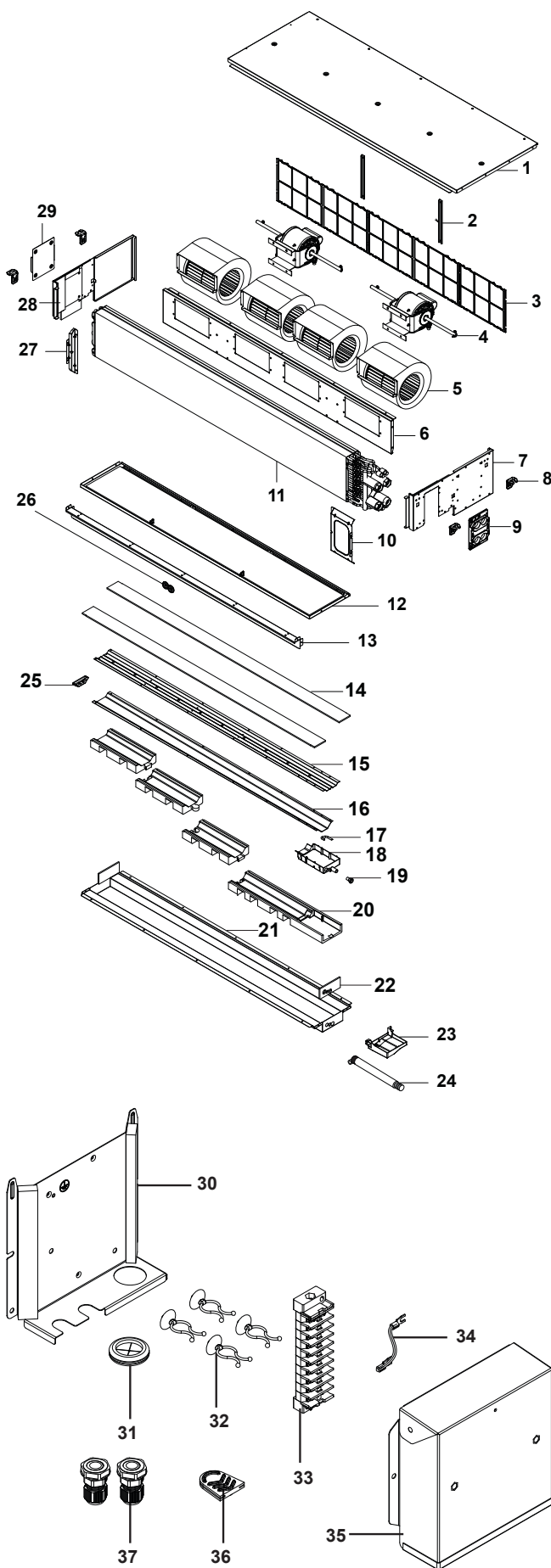
Les unités DOIVENT être traitées dans des établissements spécialisés de réutilisation, de recyclage et de remise en état. En vous assurant que cet appareil est éliminé correctement, vous contribuez à éviter les conséquences potentiellement néfastes sur l'environnement et la santé. Pour plus d'informations, contactez votre installateur ou les autorités locales.

REMARQUE

NE tentez PAS de démonter le système: le démontage du système et le traitement du réfrigérant, de l'huile et des autres pièces DOIVENT être conformes à la législation en vigueur. Les unités DOIVENT être traitées dans des établissements spécialisés de réutilisation, de recyclage et de remise en état.

Après installation, l'installateur a pour obligation de vérifier le fonctionnement. En cas de problème au niveau de l'unité et si l'unité ne fonctionne pas, contactez votre revendeur le plus proche.

Utilisez un outil approprié pour retirer les vis. Le produit peut être démonté comme indiqué ci-dessous.



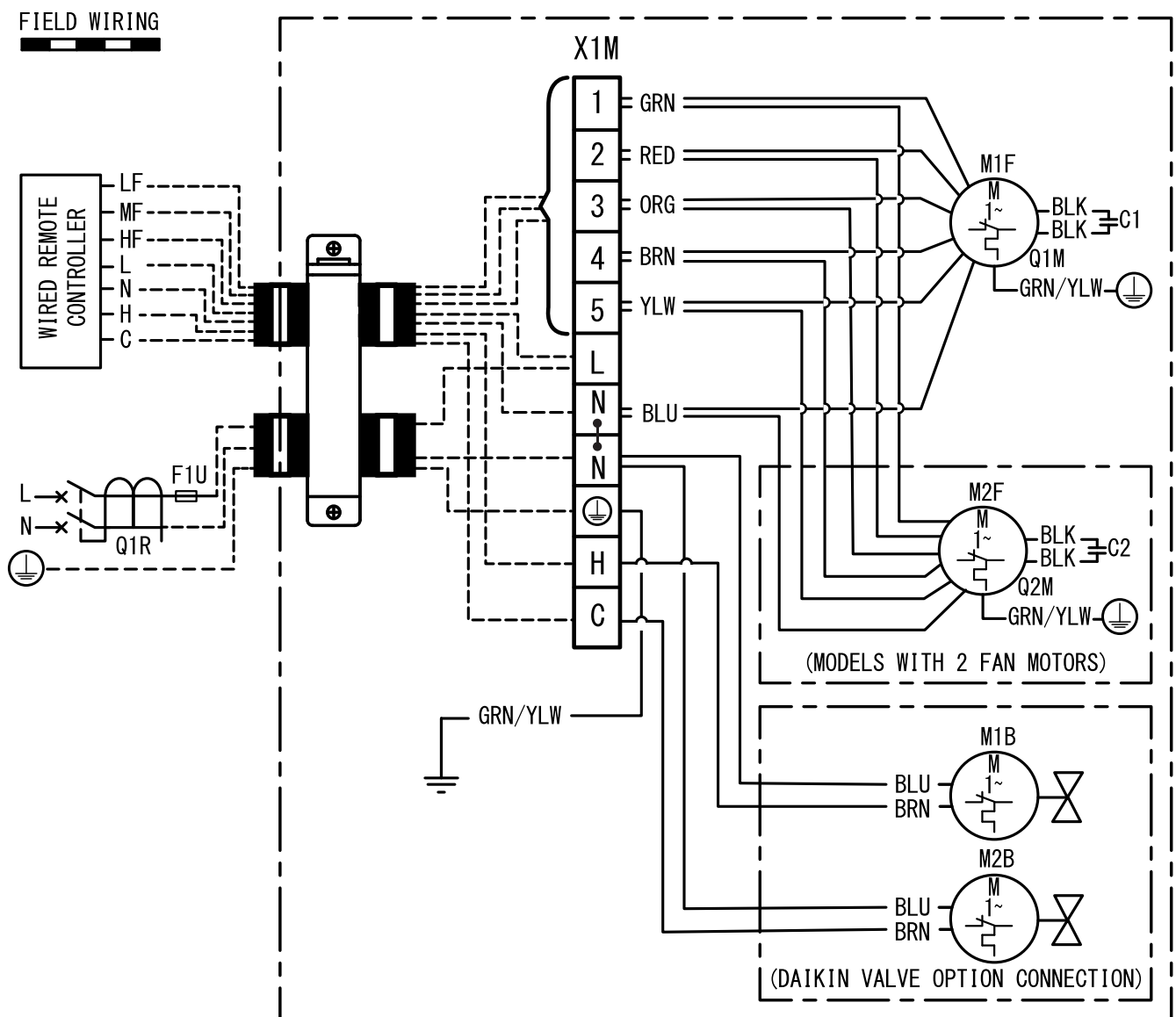
Matériaux	Elément
Partie électrique (moteur de ventilateur + condensateur)	4
Aluminium (ailette) + cuivre (tube) + acier galvanisé (plaque) + laiton + mousse plastique	11
Plastique	9, 18, 23, 24, 32, 37
Mousse plastique	14, 22
Plastique + métal	33, 34

Matériaux	Elément
Plastique (cadre) + plastique (filet)	3
Acier galvanisé	2, 5, 6, 8, 13, 15, 16, 21, 27
Acier galvanisé + mousse plastique	1, 7, 10, 12, 28, 29, 30, 35
Caoutchouc	19, 25, 26, 31, 36
EPP	20
Cuivre	17

16 Données techniques

Un **sous-ensemble** des récentes données techniques est disponible sur le site régional Daikin (accessible au public). L'**ensemble complet** des dernières données techniques est disponible sur le Daikin Business Portal (authentification requise).

16.1 Schéma de câblage


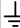


Légende pour les schémas de câblage:

C1, C2	Condensateur
F1U	Fusible à fournir
M1F, M2F	Moteur de ventilateur
M1B	Actionneur de chauffage

M2B	Actionneur de refroidissement
Q1M, Q2M	Protection thermique
Q1R	Disjoncteur de fuite à la terre
X1M	Barrette de raccordement
L	Alimenté

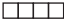

16 Données techniques

N	Neutre
1	Vitesse la plus basse
5	Vitesse la plus élevée
H	Vanne de chauffage
C	Vanne de refroidissement
LF	Faible vitesse de ventilateur
MF	Vitesse de ventilateur moyenne
HF	Vitesse élevée du ventilateur
	Terre de protection
	Terre

Couleurs:

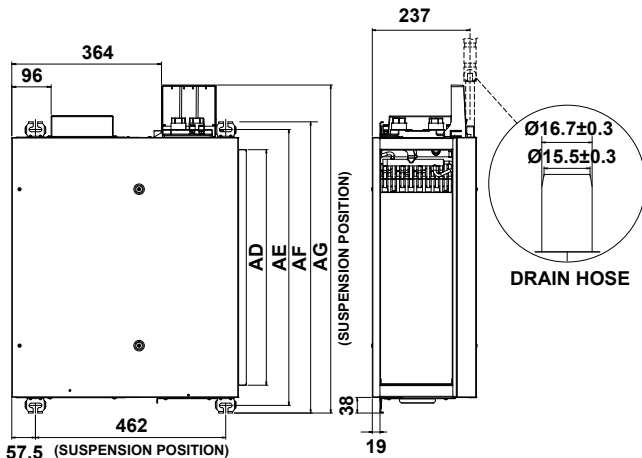
BLK	Noir
BLU	Bleu
BRN	Brun
GRN	Vert
ORG	Orange
RED	Rouge
YLW	Jaune

Remarques:

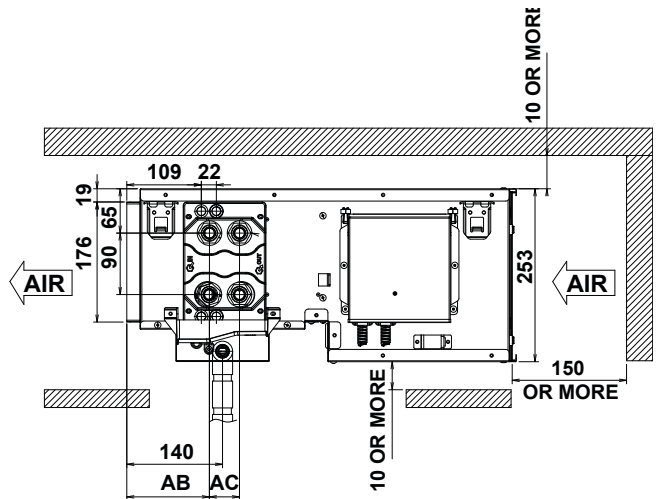
- : Bornier :: : Câblage à effectuer.
- Se référer au manuel d'installation pour les exigences de courant

16.2 Dimensions

Aperçu



MODÈLE	AD	AE	AF	AG
FWE04&05 &06F	572	670	707	797
FWE08&10 &12F	877	975	1012	1102
FWE14&16 F	1187	1285	1322	1412
FWE20&24 F	1487	1585	1622	1712



MODÈLE	AB	AC
FWE04&05&06&08& 10&12F	118	50
FWE14&16&20&24F	121	44

17 Exigences d'information pour l'écoconception

Prated,c	Prated,c	Prated,h	Pelec	LWA	
<p>Prated,c (sensible)</p> <p>Prated,c (latent)</p> <p>Prated,h</p> <p>Pelec</p>	<p>Cooling capacity (sensible)</p> <p>Kühlleistung (sensibel)</p> <p>Puissance de rafraîchissement (sensible)</p> <p>Koelcapaciteit (voelbaar)</p> <p>Capacidad de refrigeración (sensibilidad)</p> <p>Capacità di raffreddamento (sensibile)</p> <p>Απόδοσι ψύξης (οσιφέρτι)</p> <p>Capacidade de arrefecimento (sensível)</p> <p>Sogúitma kapasitesi (duyarlı)</p> <p>Хладопроизводительность (явна)</p> <p>Kylningskapacitet (känslig)</p> <p>Avkjølingskapasitet (følbart)</p> <p>Chladicí výkon (citelný)</p> <p>Kapacitet hľadania (osjetljivo)</p> <p>Hűtési teljesítmény (érzékeny)</p> <p>Capacitate de răcire (fără dezumidificare)</p> <p>Moč hľadania (zaznamna)</p> <p>Kapacita chladenia (účinná)</p> <p>Капацитет на охладжване (практически)</p> <p>Wydajność chłodnicza (jawna)</p> <p>Koelkapacitet (mænkbart)</p> <p>Jäähdytyskapasiteetti (järkevä)</p> <p>Jahutusvõimsus (mõeldukas)</p> <p>Dzieszanias kapacitate (jūtama)</p> <p>Vésinimo galia (tikroji)</p> <p>Kapacitet i tihojas (sensibeli)</p> <p>Kapacitet hľadania (opbljiv)</p>	<p>Cooling capacity (latent)</p> <p>Kühlleistung (latent)</p> <p>Puissance de rafraîchissement (latente)</p> <p>Koelcapaciteit (latent)</p> <p>Capacidad de refrigeración (latente)</p> <p>Capacità di raffreddamento (latente)</p> <p>Απόδοσι ψύξης (ακάλυπτο)</p> <p>Capacidade de arrefecimento (latente)</p> <p>Sogúitma kapasitesi (gizli)</p> <p>Хладопроизводительность (скрытая)</p> <p>Kylningskapacitet (latent)</p> <p>Avkjølingskapasitet (latent)</p> <p>Chladicí výkon (latentní)</p> <p>Kapacitet hľadania (latentno)</p> <p>Hűtési teljesítmény (latens)</p> <p>Capacitate de răcire (cu dezumidificare)</p> <p>Moč hľadania (latentna)</p> <p>Kapacita chladenia (latentná)</p> <p>Капацитет на охладжване (потенциален)</p> <p>Wydajność chłodnicza (ujajona)</p> <p>Koelkapacitet (skijutt)</p> <p>Jäähdytyskapasiteetti (latentti)</p> <p>Jahutusvõimsus (latentne)</p> <p>Dzieszanias kapacitate (latentă)</p> <p>Vésinimo galia (latentinė)</p> <p>Kapacitet i tihojas (ně gjenofje gliumi)</p> <p>Kapacitet hľadania (latentian)</p>	<p>Heating capacity</p> <p>Heizleistung</p> <p>Puissance de chauffage</p> <p>Verwarmingscapaciteit</p> <p>Capacidad de calefacción</p> <p>Capacità di riscaldamento</p> <p>Απόδοσι θέρμανσης</p> <p>Capacidade de aquecimento</p> <p>Isitma kapasitesi</p> <p>Теплопроизводительность</p> <p>Värmekapacitet</p> <p>Oppvarmingskapasitet</p> <p>Topný výkon</p> <p>Kapacitet grjania</p> <p>Fűtési teljesítmény</p> <p>Capacitate de încălzire</p> <p>Moč ogrevanja</p> <p>Укoлoн oтpевч</p> <p>Отоплителна мощност</p> <p>Wydajność grzewcza</p> <p>Varmekapacitet</p> <p>Lämmitystöho</p> <p>Küttevõimsus</p> <p>Apsildes kapacitate</p> <p>Šildymo galia</p> <p>Kapacitet i ngronhjes</p> <p>Kapacitet grjania</p>	<p>Total electric power input</p> <p>Elektrische Gesamtleistungsaufnahme</p> <p>Entrée électrique totale</p> <p>Totaal opgenomen vermogen</p> <p>Potencia eléctrica de entrada total</p> <p>Potenza elettrica totale assorbita</p> <p>Συνολική ηλεκτρική ισχύς εισόδου</p> <p>Entrada de potência eléctrica total</p> <p>Секілон топлам електрик гүці</p> <p>Общая потребляемая электрическая мощность</p> <p>Total effektingång</p> <p>Total elektrisk stromeffekt</p> <p>Салковý електрикý пpикoн</p> <p>Укупна пpимљена снага електричне енергије</p> <p>Tejles áramfórrás-bemenet</p> <p>Consum total de putere</p> <p>Скупна входна електрична моћ</p> <p>Салковý електрикý пpикoн</p> <p>Обща входяща електрическа мощност</p> <p>Салковита побирана енергија електрична</p> <p>Total elektrisk strømforsyning</p> <p>Sähkötöho kokonaistulo</p> <p>Kogu elektriline sisendvõimsus</p> <p>Kopējā elektriskā ieejas jauda</p> <p>Bendroj elektros varojamoji galia</p> <p>Konsumi total i energijsē elektrike</p> <p>Укупна улазна електрична снага</p>	<p>Sound power level (per speed setting, if applicable)</p> <p>Schalleistungspegel (je Geschwindigkeitsstellung, falls zutreffend)</p> <p>Niveau de puissance sonore (par réglage de vitesse, le cas échéant)</p> <p>Geluidsvermogeniveau (per snelheidsinstelling, indien van toepassing)</p> <p>Nivel de potencia acústica (según ajuste de velocidad, si corresponde)</p> <p>Livello di potenza sonora (per velocità impostata, se applicabile)</p> <p>Συνολική ηχητική ισχύς (αντίρροπη τοχύτης, εφόσον bistribérai)</p> <p>Nivel de potencia acústica (por regulación de velocidad, se aplicávele)</p> <p>Ses gücü seviyesi (mümkünse hız ayar başına)</p> <p>Уровень звукового давления (согласно настройке скорости, если применимо)</p> <p>Ljudeffektsnivå (per hastighetsinställning, om tillämpligt)</p> <p>Nivå på lydeffekt (per hastighetsinnstilling, hvis tilgjengelig)</p> <p>Hladina akustického výkonu (dle nastavení otáček pokud je to použitečné)</p> <p>Razina jačine zvuka (postavka prema brzini, ako je primjenljivo)</p> <p>Hangerószint (sebességszintenként, ha alkalmazható)</p> <p>Nivel presiune sonoră (în funcție de turajte, dacá este cazul)</p> <p>Raven zvočne moči (glede na nastavitev hitrosti, če se uporablja)</p> <p>Úroveň akustického tlaku (na prstlúšné nastavenie rýchlosti, ak sa použiva)</p> <p>Ниво на акустичкото лoкo (за различните настройки на оборотите, ако е приложимо)</p> <p>Poziom mocy dźwięku (dla ustawienia predkości, jeśli dotyczy)</p> <p>Stojnivau (efter hastighedsindstilling hvis relevant)</p> <p>Äänen tehoso (nopeussäetoksen mukaan, jos sovellettavissa)</p> <p>Helivõimsuse tase (võimalusel olenvalt määratud kiirusest)</p> <p>Skaņas intensitātes līmenis (atbilstīgā gadījumā – katram ātruma iestātijumam)</p> <p>Garso galios lygis (vienai greičio nuostatai, jei taikytina)</p> <p>Niveli i fuqisē sē tingulit (pēr cilēsim špējētēis, nēse aplikohet)</p> <p>Nivo zvučne snage (po podešenoj brzini, ako je primjenljivo)</p>

Prated,c (sensible)	Prated,c (latent)	Prated,h	Pelec	Lwa
1.8	0.057	52	0.058	52
2.0	0.057	53	0.058	52
2.7	0.079	61	0.082	61
3.5	0.094	55	0.096	54
3.7	0.109	57	0.103	57
4.3	0.122	60	0.115	61
5.6	0.170	61	0.175	60
6.3	0.189	64	0.190	64
8.3	0.180	60	0.191	59
9.7	0.224	64	0.230	64

Inhoudsopgave

1	Over de documentatie	64
1.1	Over dit document.....	64
1.2	Betekenis van de waarschuwingen en symbolen.....	64
1.3	Algemeen.....	65

2	Specifieke veiligheidsinstructies voor de installateur	65
----------	---	-----------

Voor de installateur 66

3	Over de doos	66
3.1	Uitpakken en omgaan met de ventilo-convector.....	66
3.2	Accessoires van de ventilo-convector verwijderen.....	66

4	Over de units en opties	67
4.1	Identificatie.....	67
4.1.1	Identificatielabel: Ventilo-convector.....	67

5	Installatie van de unit	67
5.1	Installatieplaats voorbereiden.....	67
5.2	Uitwisselbaarheid.....	68
5.3	Montage van de unit.....	68
5.3.1	Ophangbouten installeren.....	68
5.3.2	De unit monteren.....	69
5.4	Installatie waterleiding.....	69
5.4.1	De waterleidingen voorbereiden.....	69
5.4.2	De waterleidingen aansluiten.....	70
5.5	Installatie afvoerleiding.....	71
5.5.1	Richtlijnen bij de installatie van de afvoerleiding.....	71
5.5.2	Afvoerleiding aansluiten.....	71
5.6	Installatie optionele apparatuur.....	72
5.6.1	Optionele apparatuur voorbereiden.....	72
5.6.2	Optionele apparatuur aansluiten.....	73

6	Elektrische installatie	73
6.1	De elektrische bedrading voorbereiden.....	73
6.2	De elektrische bedrading aansluiten.....	74

7	Inbedrijfstelling	75
7.1	Controlelijst voor de inbedrijfstelling.....	75

Voor de gebruiker 75

8	Veiligheidsinstructies voor de gebruiker	75
8.1	Instructies voor veilig gebruik.....	75

9	Over het systeem	76
----------	-------------------------	-----------

10	Voor het gebruik	76
-----------	-------------------------	-----------

11	Werking	76
11.1	Werkingsbereik.....	76

12	Energie besparen en optimale werking	76
-----------	---	-----------

13	Onderhoud en service	77
13.1	Voorzorgsmaatregelen inzake onderhoud.....	77
13.2	Voorzorgsmaatregelen voor onderhoud en service.....	77
13.3	Luchtfilter, aanzuigrooster, luchtuitblaas en buitenpanelen reinigen.....	77
13.3.1	Luchtfilter reinigen.....	77
13.4	Onderhoud na een lange periode van stilstand.....	78
13.5	Onderhoud voor een lange periode van stilstand.....	78
13.6	Dienst-na-verkoop en garantie.....	78
13.6.1	Aanbevelingen voor onderhoud en inspectie.....	78
13.6.2	Verkorte onderhouds- en vervangingscycli.....	78

14	Opsporen en verhelpen van storingen	79
-----------	--	-----------

14.1	Problemen met uw ventilo-convector oplossen.....	79
14.2	Verplaatsen.....	79

15	Als afval verwijderen	79
-----------	------------------------------	-----------

16	Technische gegevens	80
16.1	Bedradingsschema.....	81
16.2	Afmetingen.....	82

17	Informatievereisten voor ecologisch ontwerp	83
-----------	--	-----------

1 Over de documentatie

1.1 Over dit document



WAARSCHUWING

Dit apparaat kan worden gebruikt door kinderen vanaf een leeftijd van 8 jaar en door personen met verminderde fysieke, zintuiglijke of mentale mogelijkheden of een gebrek aan ervaring en kennis als het gebruik van het apparaat op een veilige manier werd uitgelegd en als zij de gevaren hiervan begrijpen.

Kinderen mogen NIET met het apparaat spelen.

Reiniging en onderhoud door de gebruiker mag NIET worden uitgevoerd door kinderen zonder toezicht.

Doelpubliek

Erkende installateurs + eindgebruikers



INFORMATIE

Dit toestel is ontworpen voor gebruik in een commerciële, industriële of zakelijke omgeving.

Documentatieset

Dit document maakt deel uit van een documentatieset. De volledige set omvat:

- **Algemene voorzorgsmaatregelen met betrekking tot de veiligheid:**
 - Veiligheidsinstructies te lezen vóór de installatie
 - Formaat: Papier (in de doos van de binneneenheid)
- **Montagehandleiding en gebruiksaanwijzing binneneenheid:**
 - Instructies voor installatie en gebruik
 - Formaat: Papier (in de doos van de binneneenheid)
 - Formaat: Digitale bestanden op <https://www.daikin.eu>. Gebruik de zoekfunctie 🔍 om uw model te vinden.

De nieuwste revisie van de meegeleverde documentatie staat op de regionale Daikin-website en is verkrijgbaar via uw dealer.

De originele instructies zijn opgesteld in het Engels. Alle andere talen zijn vertalingen van de oorspronkelijke instructies.

Technische gegevens

- Een **deel** van de recentste technische gegevens is beschikbaar op de regionale Daikin-website (publiek toegankelijk).
- De **volledige** recentste technische gegevens zijn beschikbaar op het Daikin Business Portal (authenticatie vereist).

1.2 Betekenis van de waarschuwingen en symbolen



GEVAAR

Duidt op een situatie die de dood of ernstige verwondingen als gevolg heeft.

2 Specifieke veiligheidsinstructies voor de installateur



GEVAAR: RISICO OP ELEKTROCUTIE

Duidt op een situatie die elektrocutie kan veroorzaken.



GEVAAR: RISICO OP BRANDWONDEN

Duidt op een situatie die brandwonden kan veroorzaken als gevolg van extreem hoge of lage temperaturen.



WAARSCHUWING

Duidt op een situatie die de dood of ernstige verwondingen als gevolg zou kunnen hebben.



VOORZICHTIG

Duidt op een situatie die kleine of matige verwondingen als gevolg zou kunnen hebben.



OPMERKING

Duidt op een situatie die schade aan apparatuur of eigendom zou kunnen berokkenen.



INFORMATIE

Duidt op nuttige tips of bijkomende informatie.

Symbolen gebruikt op de unit:

Symbol	Verklaring
	Lees de montagehandleiding, de gebruiksaanwijzing en het instructievel voor de bedrading alvorens te beginnen met de installatie.

1.3 Algemeen

Indien u TWIJFELS heeft over de installatie of de bediening van de unit, neem contact op met uw verdeler.



WAARSCHUWING

Een verkeerde installatie of bevestiging van apparatuur of accessoires kan een elektrische schok, kortsluiting, lekken, brand of andere schade aan de apparatuur veroorzaken. Gebruik ALLEEN accessoires, optionele apparatuur en reserveonderdelen die door Daikin gemaakt of goedgekeurd werden, tenzij anders aangegeven.



WAARSCHUWING

Zorg ervoor dat de materialen die voor de installatie en de testen gebruikt worden, voldoen aan de geldende wetgeving (bovenop de instructies beschreven in de Daikin-documentatie).



VOORZICHTIG

Draag gepaste persoonlijke beschermende uitrusting (beschermende handschoenen, veiligheidsbril, enz.) wanneer u het systeem installeert of onderhoudt.



WAARSCHUWING

Scheur plasticverpakkingen aan stukken en gooi deze weg zodat niemand, GEEN kinderen in het bijzonder, ermee kan spelen. **Mogelijk gevolg:** verstikking.



WAARSCHUWING

Neem de gepaste maatregelen om te voorkomen dat kleine dieren kunnen gaan nestelen in de unit. Kleine dieren die in contact komen met elektrische onderdelen kunnen storingen, rook of brand veroorzaken.



VOORZICHTIG

Raak de luchtinlaat of de aluminium ribben van de unit NIET aan.



VOORZICHTIG

- Plaats GEEN voorwerpen, apparatuur of uitrustingen bovenop de unit.
- Klim, zit of sta NIET op de unit.



GEVAAR: RISICO OP ELEKTROCUTIE

- Zorg ervoor dat het systeem correct is geaard.
- Schakel de voeding UIT alvorens aan servicewerkzaamheden te beginnen.
- Installeer het deksel van de schakelkast alvorens de voeding IN te schakelen.



VOORZICHTIG

- Controleer of de installatieplaats het gewicht van de unit kan dragen. Een slechte installatie kan gevaarlijk zijn. Het kan ook trillingen of ongewone werkingsgeluiden veroorzaken.
- Voorzie voldoende ruimte voor service.
- Installeer de unit zo dat ze NIET in contact komt met een plafond of een muur; anders kan dit trillingen veroorzaken.



GEVAAR: RISICO OP ELEKTROCUTIE

Gebruik de ventilatorconvectoren NIET met natte handen. Anders kunt u een elektrische schok oplopen.



WAARSCHUWING

Deze unit bevat elektrische en hete onderdelen.



WAARSCHUWING

Als het netsnoer beschadigd is, MOET de fabrikant, zijn vertegenwoordiger, zijn servicevertegenwoordiger of gelijkaardige bevoegde personen het snoer vervangen om een gevaarlijke situatie te voorkomen.

2 Specifieke veiligheidsinstructies voor de installateur

Leef altijd de volgende veiligheidsinstructies en voorschriften na.



WAARSCHUWING

De installatie, service, onderhoud en reparaties moeten overeenstemmen met de instructies van Daikin en met de geldende wetgeving (bijvoorbeeld de nationale gasregelgeving) en mogen ALLEEN door bevoegde personen worden uitgevoerd.



WAARSCHUWING

De installatie moet worden uitgevoerd door een installateur, en de keuze van de materialen en de installatie moet voldoen aan de geldende wetgeving. In Europa is de norm EN378 van toepassing.



WAARSCHUWING

Houd de bedrading tussen de units uit de buurt van koperen leidingen die niet thermisch geïsoleerd zijn aangezien dergelijke leidingen heel warm worden.



VOORZICHTIG

Gebruik bij muren met een metalen frame of een metalen plaat een in de muur ingebedde leiding en een muurafdekplaat in de doorvoeropening om schade door hitte, elektrische schokken of brand te voorkomen.

3 Over de doos

OPMERKING

- De leidingen moeten stevig worden gemonteerd en beschermd tegen fysieke schade.
- Beperk de installatie van het leidingwerk tot een minimum.

WAARSCHUWING

- Gebruik **GEEN** lokaal aangekochte elektrische onderdelen binnenin het product.
- Tak de elektrische voeding **NIET** af voor de klep, enz. van het klemmenblok. Dit kan een elektrische schok of brand veroorzaken.

Voor de installateur

3 Over de doos

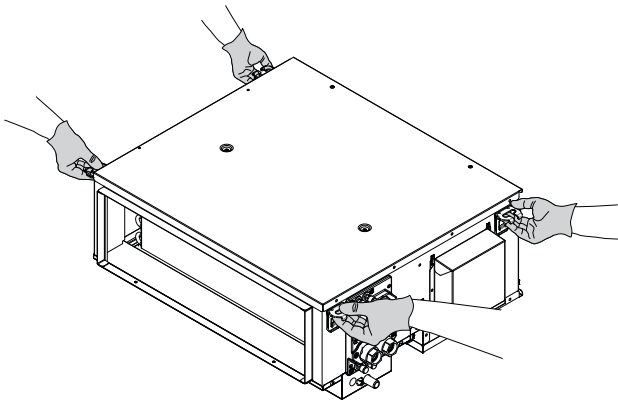
Houd rekening met de volgende zaken:

- De unit **MOET** bij de levering gecontroleerd worden op beschadiging en volledigheid. Elke vorm van beschadiging of ontbrekende onderdelen **MOET** onmiddellijk aan de schadeverantwoordelijke van de transporteur worden gemeld.
- Breng de verpakte unit zo dicht mogelijk bij de uiteindelijke installatieplaats om beschadiging tijdens het transport te voorkomen.
- Maak de weg waarlangs u de unit naar binnen zult brengen tot aan de uiteindelijke installatieplaats op voorhand klaar.

3.1 Uitpakken en omgaan met de ventilo-convector

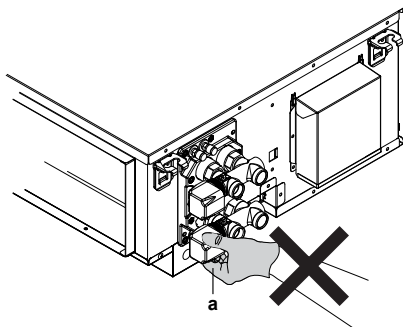
Gebruik een draagband van zacht materiaal of beschermende platen met een touw om de unit op te heffen. Zo voorkomt u dat de unit beschadigd of gekrast wordt.

- Hef de unit op aan de ophangbeugels zonder druk uit te oefenen op andere delen, met name de afvoerleiding en thermische isolatie.



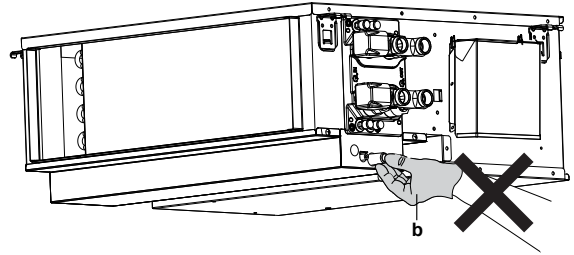
OPMERKING

Til de unit niet op aan de klepmotoren (a).



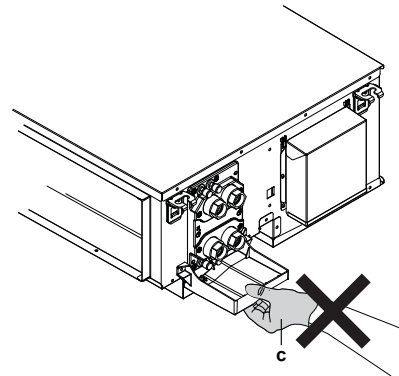
OPMERKING

Til de unit niet op aan de aansluiting van de lekbak (b).

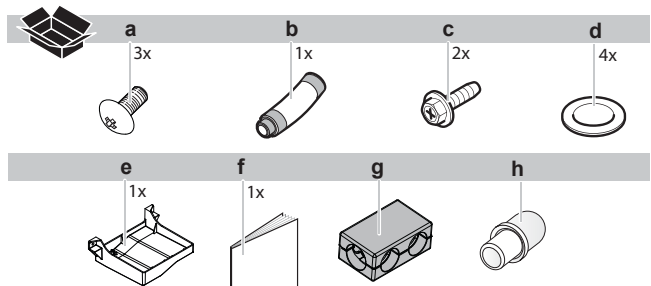


OPMERKING

Til de unit niet op met de onderlekbak (c).



3.2 Accessoires van de ventilo-convector verwijderen



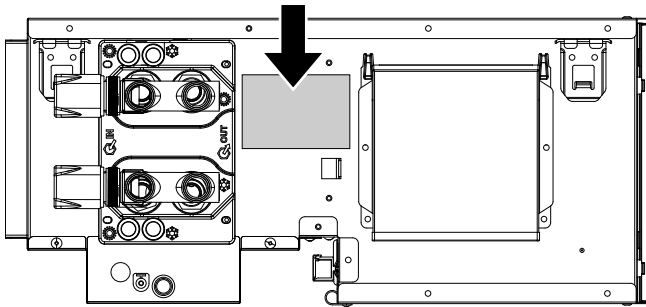
- a M4-schroef voor onderlekbak 2x en afvoerslang 1x
- b Afvoerslang
- c M5-schroef voor FWECSAP 2x
- d Pakking
- e Onderlekbak
- f Montagehandleiding en gebruiksaanwijzing
- g Thermische isolatie voor kleppen (2 leidingen: 1x en 4 leidingen: 2x) (*)
- h Flaredeksel
- * Alleen modellen met in de fabriek gemonteerde klep

4 Over de units en opties

4.1 Identificatie

4.1.1 Identificatielabel: Ventilatorconvectoren

Locatie



Modelidentificatie

Voorbeeld: FW E 04 F A T N 5 V3 --

Code	Beschrijving
FW	Ventilatorconvectoren met wateraansluiting
E	Leiding lage ESP
F	Hoofdmodelreeks
A	Kleine modelwijziging
T	2 leidingen
F	4 leidingen
N	Zonder klep
V	3-wegsklep (ON/OFF - 230 V)
T	2-wegsklep (ON/OFF - 230 V)
5	Hendek fabriek
V1	1 F / 50 Hz / 220-240 V
-	Geen optie
-	Linkerkant water, linkerkant elektrische aansluiting
R	Rechterkant water, rechterkant elektrische aansluiting

5 Installatie van de unit

5.1 Installatieplaats voorbereiden



WAARSCHUWING

Gebruik **ALTIJD** niet-brandbare kanalen, thermische isolaties en koppelingen; brandbare materialen kunnen brand veroorzaken.



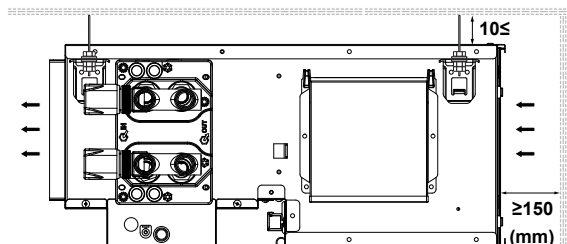
OPMERKING

De unit moet op $\geq 2,5$ meter van de grond worden geïnstalleerd.



OPMERKING

De unit moet op ≥ 10 mm van het plafond worden gemonteerd met een luchtaanvoerruimte van ≥ 150 mm.



INFORMATIE

Het geluidsrukniveau is lager dan 70 dBA.



VOORZICHTIG

Toestel **NIET** voor iedereen toegankelijk. Installeer het op een beveiligde plaats die niet voor iedereen toegankelijk is.

Deze unit is geschikt voor installatie in een commerciële en in licht industriële omgevingen.



OPMERKING

Wanneer een installatie van onderaf **NIET** mogelijk is, zoals bij zeer hoge plafonds, moet de toegang tot de unit voor installatie en onderhoud via de bovenkant van het plafond mogelijk zijn.

Kies een installatieplaats waar aan de volgende voorwaarden wordt voldaan en waar de klant het mee eens is.

- Voldoende vrije ruimte rond de unit voor onderhoud en service. De ruimte rond de unit moet voldoende luchtcirculatie en luchtverspreiding toelaten. Zie de ruimte vereist voor de installatie.
- Zorg ervoor dat de zone goed geventileerd wordt. Blokkeer **GEEN** enkele ventilatieopening.
- Controleer of de plaats waarop de installatie moet komen bestand is tegen het gewicht en de trillingen van de unit.
- Zorg ervoor dat ingeval van een waterlek, het water geen schade kan veroorzaken aan de installatieruimte en de omgeving.
- Kies een plaats waar het werkingsgeluid of de warme/koude lucht van de unit geen overlast veroorzaakt en die voldoet aan de geldende wetgeving.
- **Afvoer.** Zorg ervoor dat het condenswater goed kan worden afgevoerd.
- In plaatsen met een slechte ontvangst, moet de afstand 3 m of meer bedragen om elektromagnetische storingen van andere apparatuur te voorkomen en moeten de voedings- en transmissieleidingen in kabelbuizen liggen.
- **Fluorescentielampen.** Let op de volgende punten voor de installatie van een draadloze afstandsbediening (gebruikersinterface) in een kamer met fluorescentielampen:
 - Installeer de draadloze afstandsbediening (gebruikersinterface) zo dicht mogelijk bij de binneneenheid.
 - Installeer de binneneenheid zo ver mogelijk van de fluorescerentielampen.

Installeer de unit **NIET** op een plaats die vaak als werkplaats wordt gebruikt. In het geval van bouwwerken (bijv. slijpwerk) waar veel stof wordt geproduceerd, **MOET** de unit worden afgedekt.

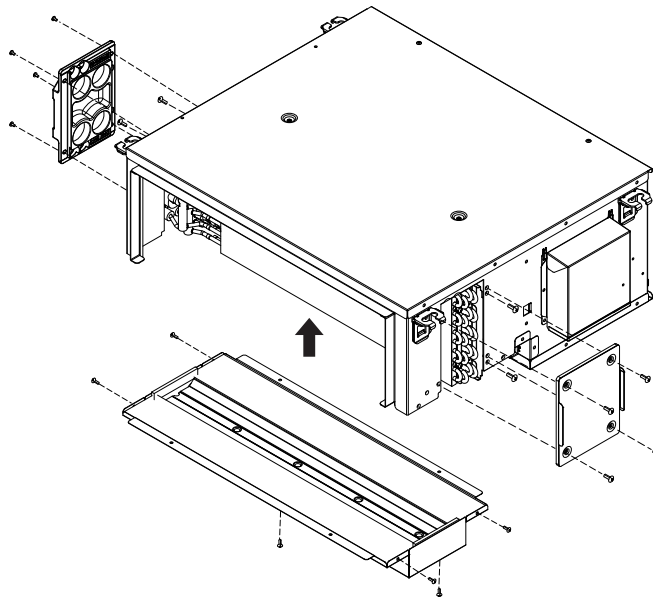
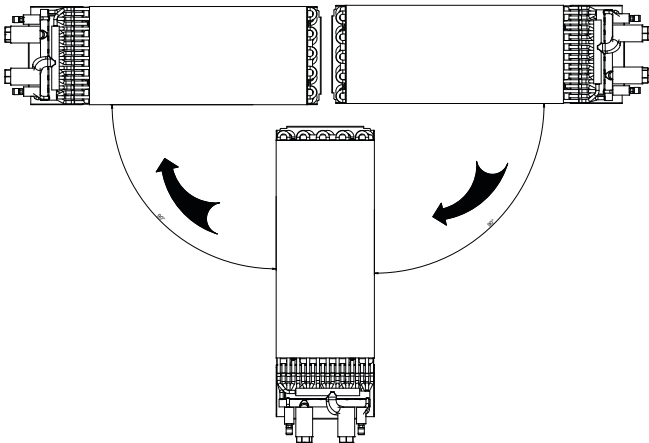
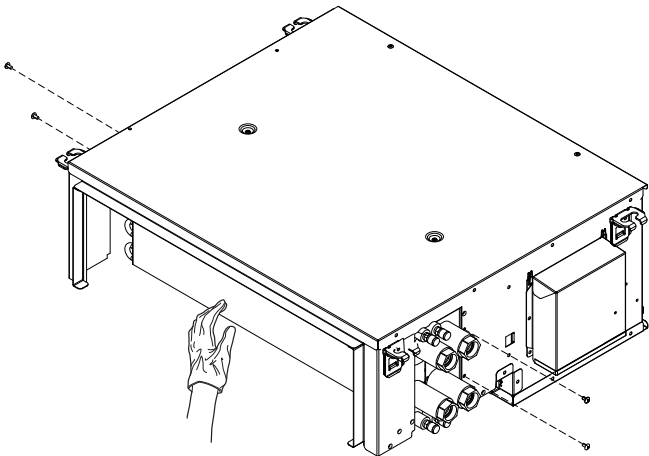
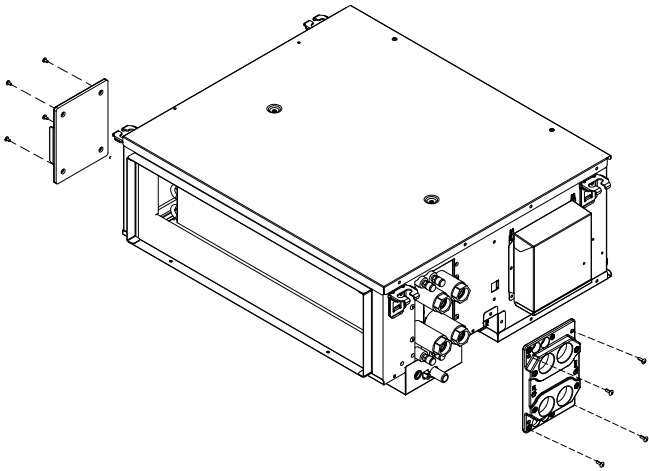
Installeer of gebruik de unit niet op onderstaande plaatsen.

- Plaatsen verzadigd met minerale olie, of vol oliedampen of olienevel zoals in een keuken (schade aan plastic onderdelen).
- Plaatsen met bijtende gassen zoals zwavelgas. Koperen leidingen en lasnaden kunnen corroderen.
- Waar de lucht een hoog zoutgehalte heeft, bijvoorbeeld aan de kust, en wanneer er grote spanningschommelingen zijn (bijv. in een fabriek). Dit geldt tevens voor voertuigen of schepen.
- In plaatsen met toestellen of machines die elektromagnetische golven uitzenden. Elektromagnetische golven kunnen het besturingssysteem ontregelen en zo storingen aan de uitrusting veroorzaken.
- In plaatsen met brandgevaar omwille van lekkende ontvlambare gassen (zoals verdunners of benzine), koolstofvezels, ontvlambaar stof.
- De unit mag **NIET** in een badkamer worden geïnstalleerd.

5 Installatie van de unit

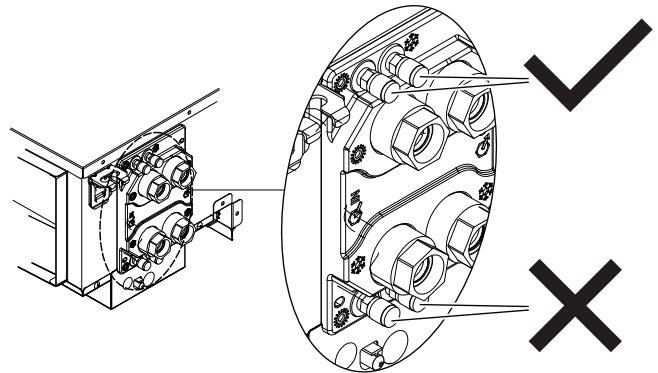
5.2 Uitwisselbaarheid

De richting van het product moet op de grond worden veranderd.
Verwijder de metalen afdekking op de zijplaat van het apparaat.



OPMERKING

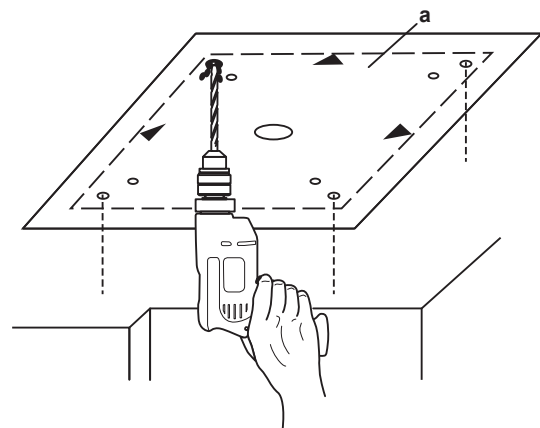
Gebruik altijd ontluचters bovenaan.



5.3 Montage van de unit

5.3.1 Ophangbouten installeren

Gebruik het schemablad om de plaatsen van de ophangbouten te bepalen (bovenste deel van verpakking). De plaatsen van de ophangbouten staan aangegeven op het schemablad. Bevestig het schemablad aan het plafond om de gaten te boren.

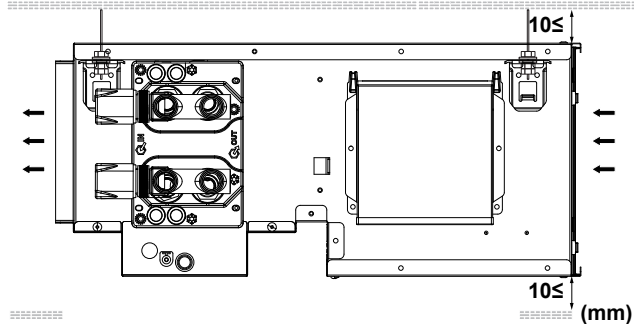


a Schemablad voor montage. (bovenste deel van verpakking)

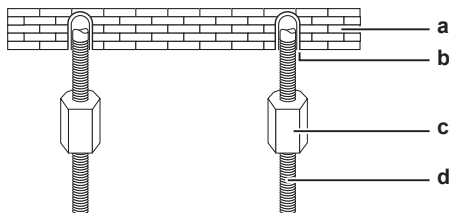
5.3.2 De unit monteren

Maak de benodigde plafondopening voor installatie op een geschikte plaats. Het kan nodig zijn om het frame van het vals plafond te versterken om het plafond waterpas te houden en trillingen te voorkomen.

Raadpleeg voor details de aannemer.

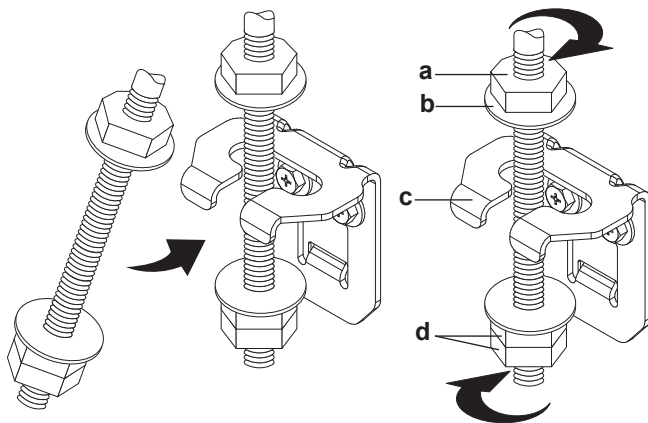


- **Sterkte van het plafond.** Controleer of het plafond sterk genoeg is om het gewicht van de unit te dragen. Als er enig risico bestaat, verstevig dan eerst het plafond en installeer dan pas de unit.
 - Gebruik bij een bestaand plafond ankers.
 - Gebruik bij een nieuw plafond verzonken inzetstukken, verzonken ankers of andere lokaal voorziene onderdelen.



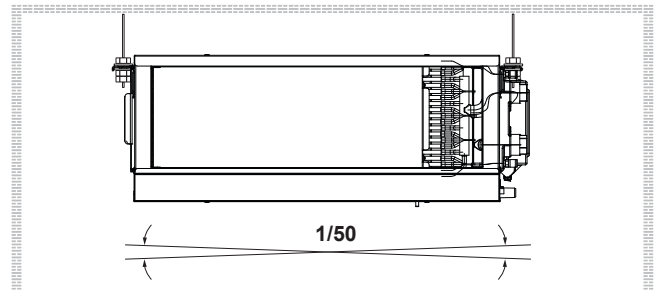
- a Plafondtegel
- b Anker
- c Lange moer of spanschroef
- d Ophangbout

- **Ophangbouten.** Gebruik M8~M10 ophangbouten voor de montage. Bevestig de ophangbeugel aan de ophangbout. Bevestig de bout goed met een moer en vulring aan de boven- en onderzijde van de ophangbeugel.

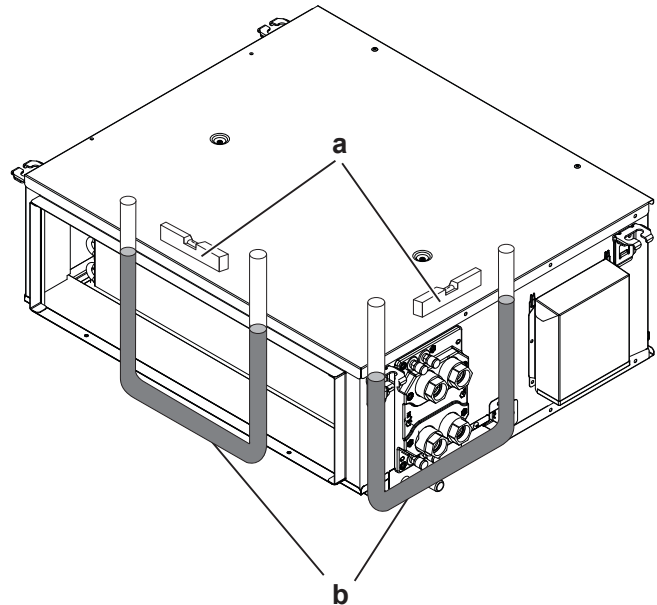


- a Moer (lokaal te voorzien)
- b Ring (lokaal te voorzien)
- c Ophangbeugel
- d Dubbele moer (niet meegeleverd)

- . Breng de unit in de juiste positie voor installatie.



- Controleer of de unit horizontaal waterpas hangt.
- **Waterpas.** Controleer met behulp van een waterpas of een plastic buis met water of de unit op alle 4 hoeken waterpas staat.



- a Niveau
- b Plastic buis



OPMERKING

Installeer de unit NIET scheef. **Mogelijk gevolg:** Als de unit tegen de richting van de condenswaterstroom in scheef hangt (de kant van de afvoerleidingen hangt hoger), kan er water gaan lekken.

5.4 Installatie waterleiding

5.4.1 De waterleidingen voorbereiden

Controleer de volgende punten vooraleer aan de waterleiding te werken:

- De maximum waterdruk is 1,6 MPa.

De unit is voorzien van een waterinlaat en -uitlaat voor aansluiting op het watercircuit. Het watercircuit moet worden uitgevoerd door een installateur en moet voldoen aan de geldende wetgeving.

- De minimum watertemperatuur is 5°C.
- De maximum watertemperatuur is 90°C.
- De componenten in de lokale leidingen moeten bestand zijn tegen de waterdruk en -temperatuur.
- Voorzie voldoende beveiligingen in het watercircuit om te voorkomen dat de waterdruk de maximaal toegestane werkdruk overschrijdt.

5 Installatie van de unit

- Voorzie een goede afvoer voor de drukveiligheidsklep (indien voorzien) om te voorkomen dat er water op elektrische onderdelen terechtkomt.
- Voorzie afsluitkranen aan de unit zodat normaal onderhoud kan worden uitgevoerd zonder het systeem te laten leeglopen.
- Voorzie aftapkranen op alle lage punten van het systeem om het circuit bij onderhoud of service aan de unit volledig te laten leeglopen.
- Voorzie ontluchtingsventielen op alle hoge punten in het systeem. De ventielen moeten zich op gemakkelijk toegankelijke punten bevinden.
- Bescherm leidingen tegen fysieke schade.



OPMERKING

Zorg ervoor dat de kwaliteit van het water voldoet aan EU-richtlijn 2020/2184.



OPMERKING

Glycol mag worden gebruikt, maar NOOIT meer dan 40% van het volume. Een groter aandeel glycol zou de hydraulische delen kunnen beschadigen.

5.4.2 De waterleidingen aansluiten



VOORZICHTIG

De watercirculatie in de unit moet altijd worden geregeld met kleppen. Als de ventilatorconvectoren uitgeschakeld is, maar water in de unit blijft rondstromen, wordt condensatie gevormd op de unit en kan er water van de unit druppelen.



OPMERKING

Forceer niet bij het aansluiten van de leidingen. Anders kunnen de leidingen van de unit vervormd worden. De unit kan slecht werken als de leidingen vervormd zijn.

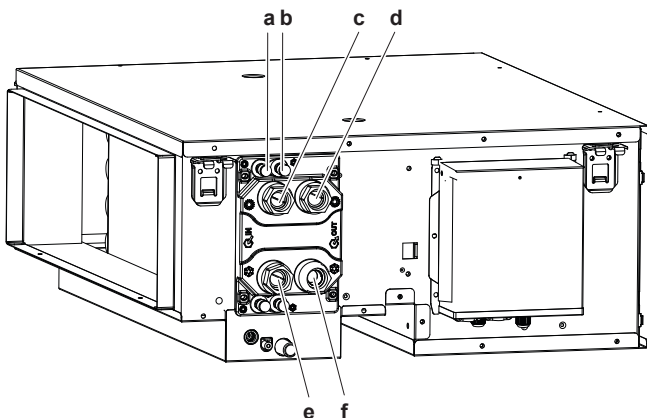


OPMERKING

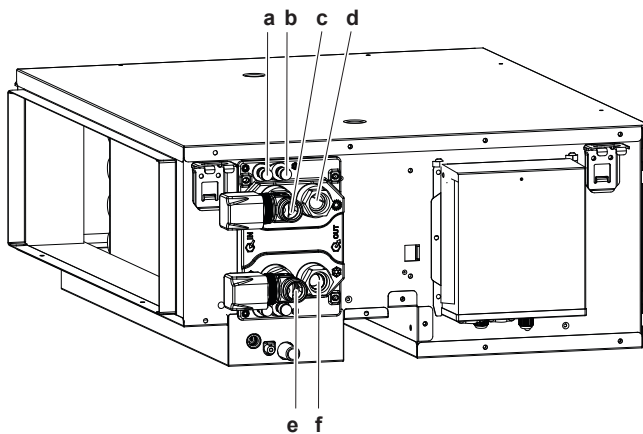
Isoleer alle leidingen. Blote leidingen kunnen condensatie veroorzaken.



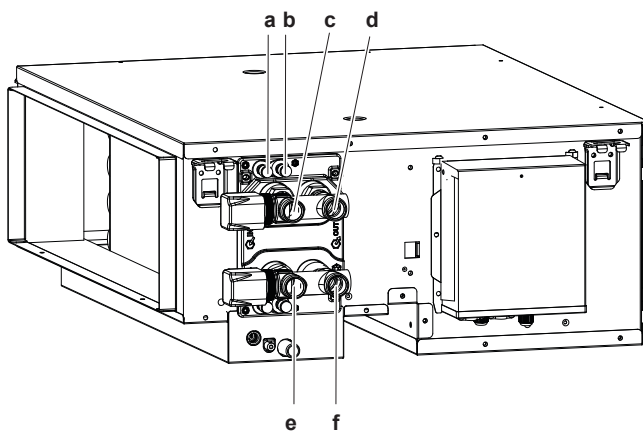
GEVAAR: RISICO OP BRANDWONDEN



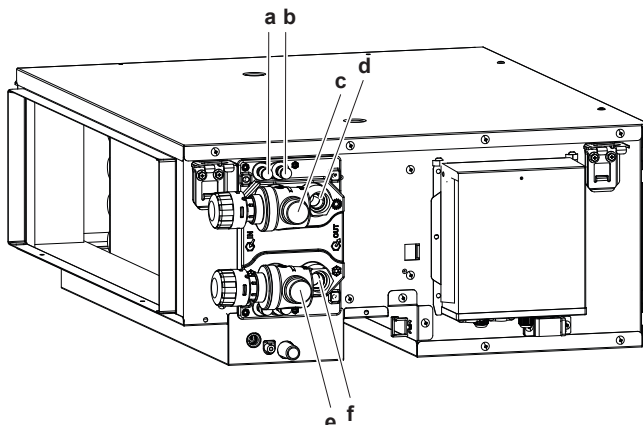
- a Ontluchting verwarmen
- b Ontluchting koelen
- c Warmwaterinlaat (3/4" binnendraad BSP)
- d Warmwateruitlaat (3/4" binnendraad BSP)
- e Koelinlaat (3/4" binnendraad BSP)
- f Koeluitlaat (3/4" binnendraad BSP)



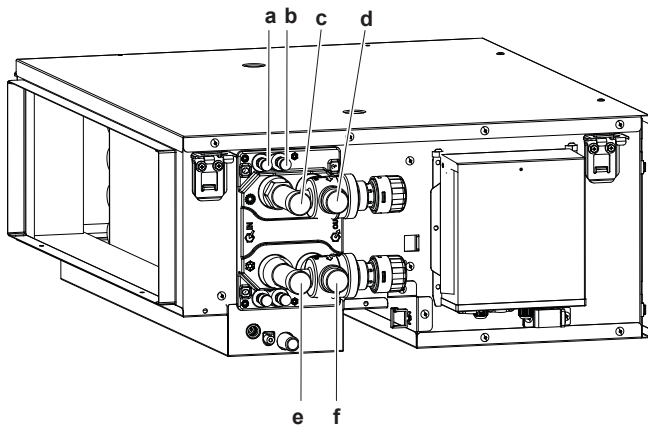
- a Ontluchting verwarmen
- b Ontluchting koelen
- c Warmwaterinlaat (DN3/4")
- d Warmwateruitlaat (3/4" binnendraad BSP)
- e Koelinlaat (DN3/4")
- f Koeluitlaat (3/4" binnendraad BSP)



- a Ontluchting koelen
- b Ontluchting verwarmen
- c Warmwaterinlaat (DN3/4")
- d Warmwateruitlaat (DN3/4")
- e Koudwaterinlaat (DN3/4")
- f Koudwateruitlaat (DN3/4")

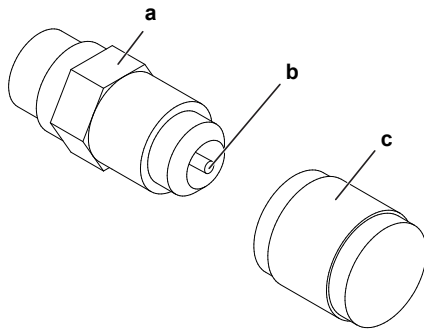


- a Ontluchting verwarmen
- b Ontluchting koelen
- c Warmwaterinlaat (DN3/4")
- d Warmwateruitlaat (3/4" binnendraad BSP)
- e Koelinlaat (DN3/4")
- f Koeluitlaat (3/4" binnendraad BSP)



- a Ontluchting verwarmen
- b Ontluchting koelen
- c Warmwateruitlaat (DN3/4")
- d Warmwaterinlaat (DN3/4")
- e Koudwaterinlaat (DN3/4")
- f Koudwateruitlaat (DN3/4")

Het watercircuit vullen



- a Ontluchtingsventiel
- b Drukveiligheidsklep
- c Deksel

Tijdens het vullen van het systeem kan wellicht niet alle lucht eruit worden verwijderd. De resterende lucht wordt verwijderd tijdens de eerste bedrijfsuren van het systeem. De lucht kan uit de unit worden verwijderd via het handmatige ontluchtingsventiel.

- 1 Open de dop.
- 2 Duw op de drukveiligheidsklep om de waterkring(en) van de unit te ontluften.
- 3 Sluit de dop.
- 4 Achteraf kan extra water moeten worden bijgevuld (maar nooit via het ontluchtingsventiel).



OPMERKING

Lucht in het watercircuit kan storingen veroorzaken. Tijdens het vullen kan wellicht niet alle lucht uit het circuit worden verwijderd. De resterende lucht zal tijdens de eerste uren in bedrijf van het systeem via de automatische ontluchtingsventielen worden verwijderd. Achteraf kan het nodig zijn extra water te bij te vullen.



OPMERKING

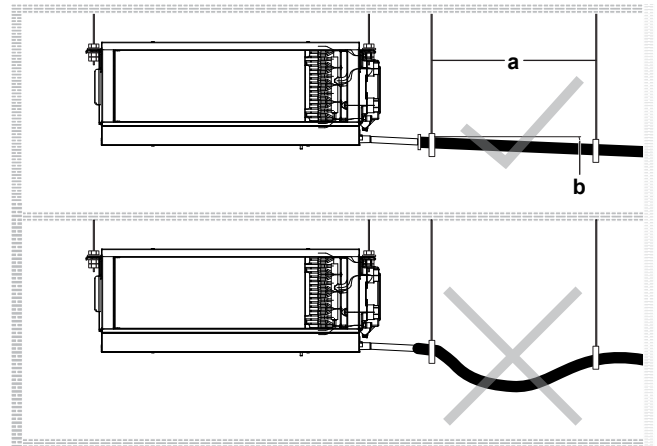
Zorg ervoor dat de kwaliteit van het water voldoet aan EU-richtlijn 2020/2184.

5.5 Installatie afvoerleiding

5.5.1 Richtlijnen bij de installatie van de afvoerleiding

Algemene richtlijnen

- **Leidingslengte.** Houd de afvoerleiding zo kort mogelijk.
- **Leidingsmaat.** De leidingsmaat moet gelijk aan of groter dan de verbindingsleiding zijn (plastic buis met een nominale diameter van 25 mm en buitendiameter van 32 mm).
- **Condensatie.** Neem maatregelen tegen condensatie. Isoleer de volledige afvoerleiding in het gebouw.
- **Helling.** De afvoerleiding moet afhellen (minstens 1/50) om te voorkomen dat er lucht in de leiding blijft zitten. Gebruik hangstaven zoals afgebeeld.



- a Ophangbeugel
✓ Toegelaten
- ✗ Niet toegelaten

5.5.2 Afvoerleiding aansluiten

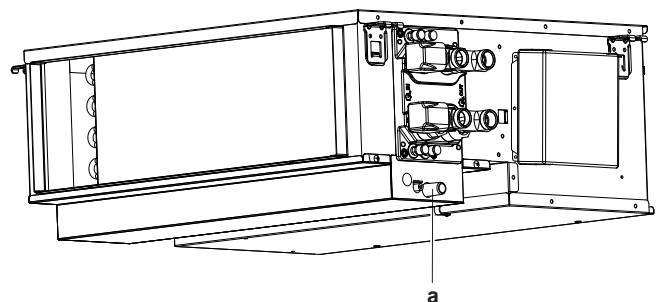
Afvoerleiding aansluiten



OPMERKING

Een slechte aansluiting van de afvoerslang kan lekken veroorzaken en schade berokkenen aan de installatieruimte en de omgeving.

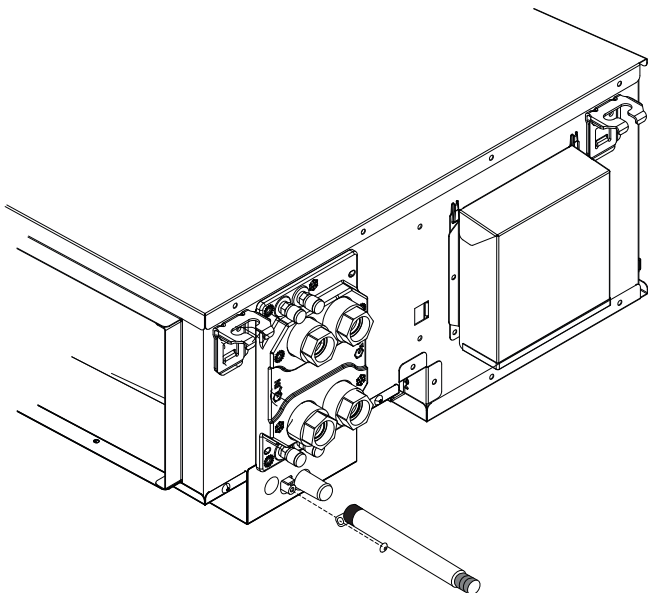
- 1 Duw de afvoerslang zo ver mogelijk over de afvoeraansluiting.
- 2 Draai de schroef van de afvoerslang vast op het oppervlak van de lekbak.
- 3 Controleer op waterlekken.



- a Afvoeraansluiting

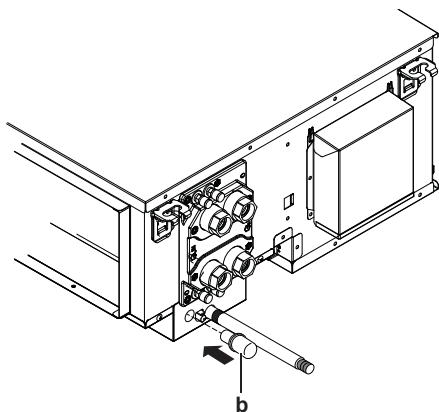
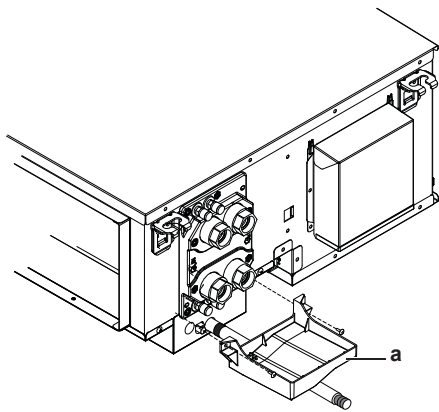
- 4 Breng de afvoerslang in en bevestig ze met de bevestigingsschroef (accessoire).

5 Installatie van de unit



OPMERKING

De unit moet worden gebruikt met een afvoerslang. (Als u deze niet vastzet, kan er water gaan lekken en kunnen trillingen ontstaan.)

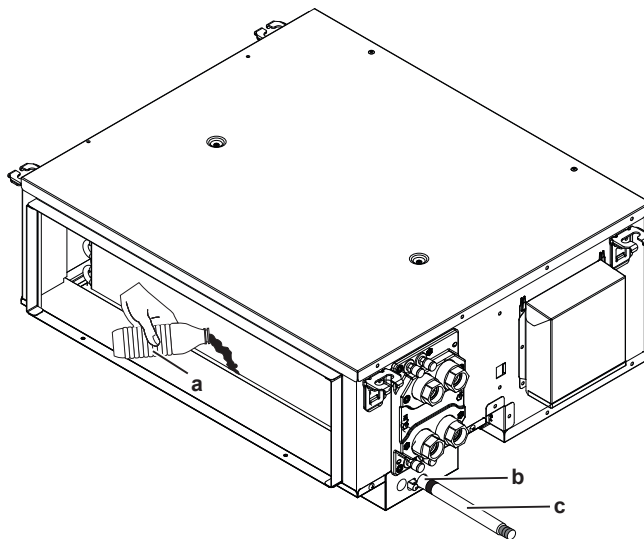


OPMERKING

Als u de onderlekbak (a) niet gebruikt, moet de opening voor deze lekbak worden afgesloten met een deksel (b).

Als de elektrische bedrading al is voltooid

- 1 Begin met koelen.
- 2 Giet ongeveer 1 l water langzaam in de uitlaat van de luchtuitblaas en controleer op lekken.



- a Plastic gieter
- b Afvoertuitlaat (gebruik deze uitlaat voor de afvoer van water uit de lekbak)
- c Afvoerslang

5.6 Installatie optionele apparatuur

5.6.1 Optionele apparatuur voorbereiden



INFORMATIE

Optionele apparatuur. Lees ook de installatiehandleiding van de optionele apparatuur bij de installatie hiervan. Afhankelijk van de omstandigheden ter plaatse, kan het gemakkelijker zijn om eerst de optionele apparatuur te installeren.

Optionele uitrusting	Identificatiecode
G2-filter	EKAF02G5A
	EKAF03G5A
2-wegsklep - ON/OFF (AC 230 V)	EK02WV2V3W5A
	EK04WV2V3C5A
	EK06WV2V3C5A
3-wegsklep - ON/OFF (AC 230 V)	EK02WV3V3W5A
	EK04WV3V3C5A
	EK06WV3V3C5A
Proportionele klep (AC 24 V) 3-wegs – 4-poort klep	EK02P3V24W5A
	EK04P3V24C5A
	EK06P3V24C5A
Afstandsbediening	FWEC3A
Afstandsbediening (voor 2 leidingen)	FWEC2T
Afstandsbediening (voor 4 leidingen)	FWEC4T
Afstandsbediening (paneelbesturingskaart)	FWEC3AP
Afstandsbediening	FWEC3AC
Afstandsbediening	FWTOUCHW
	FWTOUCHB
	FWTOUCHG
Klepkabelkit	EKER015A

5.6.2 Optionele apparatuur aansluiten

Technische specificaties van de kleppen

Kvs-waarde	Max. bedrijfsdruk PN (bar)	Actuatorvoeding
2,8	16	1 F, 230 V, 50-60 Hz
4		
6		

6 Elektrische installatie

**GEVAAR: RISICO OP ELEKTROCUTIE****WAARSCHUWING**

Gebruik voor de stroomkabels ALTIJD meeraderige kabel.

**WAARSCHUWING**

Gebruik een alpolige schakelaar met een contactscheiding van minstens 3 mm om het contact volledig te verbreken onder overspanningscategorie III.

**WAARSCHUWING**

Als het netsnoer beschadigd is, MOET de fabrikant, zijn vertegenwoordiger, zijn servicevertegenwoordiger of gelijkaardige bevoegde personen het snoer vervangen om een gevaarlijke situatie te voorkomen.

6.1 De elektrische bedrading voorbereiden

**WAARSCHUWING**

Alle ter plaatse te voorziene bedrading en componenten MOETEN worden geïnstalleerd door een erkende elektricien en MOETEN voldoen aan de geldende wetgeving.

**GEVAAR: RISICO OP ELEKTROCUTIE****WAARSCHUWING**

Een hoofdschakelaar of een andere manier om te onderbreken, met een contactscheiding in alle polen, MOET voorzien zijn in de vaste bedrading in overeenstemming met de geldende wetgeving.

**VOORZICHTIG**

- Bij het aansluiten van de voeding: sluit eerst de aardingskabel aan vóór de stroomvoerende draden worden aangesloten.
- Bij het losmaken van de voeding: maak eerst de stroomvoerende draden los vóór de aarding wordt losgemaakt.
- De lengte van de geleiders tussen de trekontlasting van de voedingskabel en de klemmenstrook MOET zodanig zijn dat de stroomvoerende geleiders strak zitten vóór de aardingsgeleider voor het geval dat de voedingskabel wordt losgetrokken van de trekontlasting.

**WAARSCHUWING**

- Controleer na het uitvoeren van de elektrische werkzaamheden of elk elektrisch onderdeel en elke klem in de schakelkast goed is aangesloten.
- Controleer of alle deksels dicht zijn vooraleer de unit in te schakelen.

**WAARSCHUWING**

Pas GEEN permanente inductieve of capaciteitslading toe op het circuit zonder te garanderen dat dit de toegestane spanning en stroom voor de apparatuur in gebruik NIET zal overschrijden.

**OPMERKING**

De in deze handleiding beschreven apparatuur kan elektronische ruis veroorzaken afkomstig van radiofrequentie-energie. De apparatuur voldoet aan specificaties die een redelijke bescherming moeten bieden tegen dergelijke interferentie. De garantie dat in een specifieke installatie geen interferentie zal optreden, kan echter niet worden gegeven.

Het is dan ook aan te raden de apparatuur en elektrische draden op een gepaste afstand van stereotoestellen, pc's, enz. te installeren.

**GEVAAR: RISICO OP ELEKTROCUTIE**

- Schakel de elektrische voeding volledig UIT vooraleer u het klemmendeksel van de ventilatorconvectoren verwijdert wanneer u elektrische bedrading aansluit of elektrische onderdelen aanraakt.
- Schakel de elektrische voeding langer dan 10 minuten uit en meet de spanning aan de aansluitklemmen van de condensatoren van de hoofdkring of elektrische onderdelen vooraleer u een onderhoud uitvoert. De spanning MOET minder dan 50 V DC zijn vooraleer u elektrische onderdelen mag aanraken. Raadpleeg het bedradingschema voor de plaats van de aansluitklemmen.
- Raak elektrische onderdelen NIET aan met natte handen.
- Laat de unit NIET onbewaakt achter wanneer het klemmendeksel verwijderd is.

**WAARSCHUWING**

- Gebruik ALLEEN koperdraden.
- Alle lokale bedrading moet voldoen aan de geldende wetgeving.
- Alle lokale bedradingen MOETEN conform met het product meegeleverd bedradingschema worden uitgevoerd.
- Knijp NOOIT gebundelde kabels samen en controleer of ze NIET in contact (kunnen) komen met leidingen of scherpe randen. Zorg dat er geen externe druk wordt uitgeoefend op de klemaansluitingen.
- Vergeet niet aarddraden te leggen. Aard de unit NIET via een nutsleiding, een piekspanningsbeveiliging of de aarding van de telefoon. Een onvolledige aarding kan elektrische schokken veroorzaken.
- Installeer zeker de vereiste zekeringen of stroomonderbrekers.
- Plaats zeker een aardlekschakelaar. Anders bestaat het gevaar dat iemand een elektrische schok krijgt of dat er brand ontstaat.

6 Elektrische installatie

6-1 Specificaties lokale bedrading

	2 leidingen									
	04	05	06	08	10	12	14	16	20	24
Maximale bedrijfsstroom (A)	0,27	0,27	0,38	0,44	0,48	0,53	0,81	0,88	0,88	1,06
Maximale bedrijfsstroom (A) met kleppenFN	0,34	0,34	0,45	0,51	0,55	0,60	0,88	0,95	0,95	1,13
Aanbevolen overstroomzekering (A)	5									
Fase	1									
Frequentie (Hz)	50									
Spanning (V)	220~240									
Spanningsafwijking (%)	±10									
Draaddikte (doorsnede mm ²)	0,75~1,25									
Aardleischakelaar	Moet voldoen aan de toepasselijke wetgeving									

6-2 Specificaties lokale bedrading

	4 leidingen									
	04	05	06	08	10	12	14	16	20	24
Maximale bedrijfsstroom (A)	0,26	0,26	0,37	0,43	0,50	0,56	0,79	0,87	0,83	1,04
Maximale bedrijfsstroom (A) met kleppenFN	0,33	0,33	0,44	0,50	0,57	0,63	0,86	0,94	0,90	1,11
Aanbevolen overstroomzekering (A)	5									
Fase	1									
Frequentie (Hz)	50									
Spanning (V)	220~240									
Spanningsafwijking (%)	±10									
Draaddikte (doorsnede mm ²)	0,75~1,25									
Aardleischakelaar	Moet voldoen aan de toepasselijke wetgeving									

6.2 De elektrische bedrading aansluiten



GEVAAR: RISICO OP ELEKTROCUTIE



WAARSCHUWING

Gebruik voor de stroomkabels ALTIJD meeraderige kabel.



WAARSCHUWING

Gebruik een alpolige schakelaar met een contactscheiding van minstens 3 mm om het contact volledig te verbreken onder overspanningscategorie III.



WAARSCHUWING

Als het netsnoer beschadigd is, MOET de fabrikant, zijn vertegenwoordiger, zijn servicevertegenwoordiger of gelijkaardige bevoegde personen het snoer vervangen om een gevaarlijke situatie te voorkomen.



OPMERKING

Voorzorgsmaatregelen bij het leggen van voedingsbedrading:



- Sluit GEEN bedrading van verschillende diktes aan op de klemmenstrook voor de voeding (speling in de voedingsbedrading kan abnormale hitte veroorzaken).
- Bij het aansluiten van bedrading met dezelfde dikte, volgt u de aanwijzingen in de bovenstaande afbeelding.
- Gebruik de aangewezen voedingsdraad en sluit deze stevig aan, borg ze vervolgens zodat er van buiten geen druk op het klemmenbord kan worden uitgeoefend.
- Gebruik een passende schroevendraaien voor het vastdraaien van de schroeven van de klemmen. Met een schroevendraaier met kleine kop beschadigt u de schroefkop waardoor u de schroef niet goed meer vast kunt draaien.
- Als u de schroeven van de klemmen te vast draait kunt u ze breken.



OPMERKING

- Volg het bedradingsschema (bij de unit geleverd, op de binnenkant van het servicedeksel).
- Voor instructies over de aansluiting van de optionele apparatuur, zie de bij optionele apparatuur geleverde montagehandleiding.
- Zorg ervoor dat de elektrische bedrading goed zit zodat het servicedeksel nadien weer goed kan worden aangebracht.

De bedrading van de voeding en van de transmissie moeten afzonderlijk worden gehouden. Beide bedradingen moeten ALTIJD op minstens 50 mm van elkaar worden gehouden om eventuele elektrische storingen te voorkomen.

**OPMERKING**

Zorg ervoor dat de voedingskabel en de transmissiekabel van elkaar gescheiden blijven. De transmissiebedrading en de voedingsbedrading mogen kruisen, maar ze mogen NIET parallel lopen.

7 Inbedrijfstelling

**OPMERKING**

Onderbreek het proefdraaien NIET.

7.1 Controlelijst voor de inbedrijfstelling

- 1 Controleer na de installatie van de unit de hierna vermelde punten.
- 2 Sluit de unit.

3 Schakel de unit in.

<input type="checkbox"/>	U leest de volledige installatie-instructies, zoals beschreven in de uitgebreide handleiding voor de installateur .
<input type="checkbox"/>	De binnenunits zijn goed geïnstalleerd.
<input type="checkbox"/>	Er zijn GEEN ontbrekende fasen of omgekeerde fasen .
<input type="checkbox"/>	Het systeem is correct geaard en de aardingsklemmen zijn vastgedraaid.
<input type="checkbox"/>	De zekeringen of lokaal geïnstalleerde beveiligingen zijn overeenkomstig dit document geïnstalleerd en zijn NIET overbrugd.
<input type="checkbox"/>	De voedingsspanning stemt overeen met de spanning op het identificatieplaatje van de unit.
<input type="checkbox"/>	Er zijn GEEN losse aansluitingen of verbindingen of beschadigde elektrische onderdelen in de schakelkast.
<input type="checkbox"/>	Er zijn GEEN beschadigde onderdelen of buizen die tegen de binnenkant van de binnen- of buitenunit gedrukt worden.
<input type="checkbox"/>	De juiste buismaten werden geplaatst en de leidingen zijn goed en op de juiste manier geïsoleerd.

Voor de gebruiker

8 Veiligheidsinstructies voor de gebruiker

Leef altijd de volgende veiligheidsinstructies en voorschriften na.

8.1 Instructies voor veilig gebruik

**VOORZICHTIG**

Steek **GEEN** vingers, stokken of andere voorwerpen in de luchtinlaat of -uitlaat. Wanneer de ventilator met hoge snelheid draait, zou dit letsels veroorzaken.

**VOORZICHTIG: Kijk uit voor de ventilator!**

De unit inspecteren met een draaiende ventilator is gevaarlijk.

Schakel de hoofdschakelaar altijd **UIT** alvorens onderhoudswerkzaamheden uit te voeren.

**VOORZICHTIG**

Controleer na langdurig gebruik of de staander en bevestiging niet beschadigd zijn. Bij beschadiging dreigt de unit te vallen en letsel te veroorzaken.

**VOORZICHTIG**

Langdurige blootstelling van uw lichaam aan de luchtstroom is ongezond.

**VOORZICHTIG**

Raak de interne delen van de controller **NOOIT** aan.

**GEVAAR: RISICO OP ELEKTROCUTIE**

Wanneer u de airconditioner of het luchtfilter wilt schoonmaken, moet u de unit eerst stilleggen en alle voedingen **UITSCHAKELEN**. Anders dreigt u elektrische schokken en letsel op te lopen.

**WAARSCHUWING**

Zorg ervoor dat alle vereiste ventilatieopeningen niet geblokkeerd worden.

9 Over het systeem

WAARSCHUWING

Stop de werking en schakel de voeding UIT als er zich iets abnormaals voordoet (brandgeur, enz.).

Als u de unit onder dergelijke omstandigheden laat werken, kan dit leiden tot een defect, elektrische schok of brand. Neem contact op met uw dealer.

WAARSCHUWING

Raak **NOOIT** de luchttuitlaat of horizontale kleppen aan terwijl de draaiklep in werking is. Uw vingers kunnen geklemd geraken of de unit kan onklaar geraken.

WAARSCHUWING

Zet **GEEN** brandbare sprays bij de airconditioner en gebruik **GEEN** sprays in de buurt van de unit. Anders kan er brand ontstaan.

WAARSCHUWING

Controleer **vóór** het gebruik van de unit of zij correct werd geïnstalleerd door een installateur.

WAARSCHUWING

Het toestel moet worden opgeslagen waar het geen mechanische schade kan oplopen in een voldoende geventileerde ruimte zonder ontstekingsbronnen die continu branden (bijvoorbeeld: open vuur, een brandend gastoestel of een werkende elektrische verwarming). De afmetingen van de ruimte moeten zijn zoals beschreven in de Algemene voorzorgsmaatregel.

9 Over het systeem

WAARSCHUWING

Wijzig, demonteer, verwijder, herinstalleer of repareer de unit **NIET** zelf aangezien een verkeerde demontage of installatie een elektrische schok of brand kan veroorzaken. Neem contact op met uw dealer.

OPMERKING

Gebruik het systeem **NIET** voor andere doeleinden. Gebruik de unit **NIET** voor het koelen van precisie-instrumenten, voedsel, planten, dieren of kunstwerken, om te voorkomen dat de kwaliteit ervan wordt aangetast.

OPMERKING

Voor latere wijzigingen of uitbreidingen van uw systeem:

Een volledig overzicht van toegelaten combinaties (voor latere systeemuitbreiding) vindt u in de technische data en moet worden geraadpleegd. Neem contact op met uw installateur voor meer informatie en professioneel advies.

10 Voor het gebruik

WAARSCHUWING

Deze unit bevat elektrische en hete onderdelen.

WAARSCHUWING

Controleer **vóór** het gebruik van de unit of zij correct werd geïnstalleerd door een installateur.

VOORZICHTIG

Stel kleine kinderen, planten of dieren **NOOIT** rechtstreeks bloot aan de luchtstroom.

Deze gebruiksaanwijzing geldt voor de volgende systemen met standaardbesturing. Neem **vóór** de ingebruikneming contact op met uw dealer voor informatie over de bediening die overeenstemt met uw systeem en versie. Dit is ook het geval als uw installatie is uitgerust met een op maat ontworpen besturingssysteem.

Bedrijfsstanden:

- Verwarmen en koelen (lucht/lucht).
- Alleen ventileren (lucht/lucht).

Deze gebruiksaanwijzing geeft een niet-bepaald overzicht van de belangrijkste functies van het systeem.

Voor meer informatie over de gebruikersinterface, zie de gebruiksaanwijzing van de geïnstalleerde gebruikersinterface.

11 Werking

11.1 Werkingsbereik

De volgende omstandigheden zijn de standaard bedrijfslimieten. Voor andere omstandigheden, gelieve de dealer te raadplegen.

Stand	Toestand	Limiet luchttemperatuur, (droge bol/natte bol)	Limiet watertemperatuur, (in/uit)	Water temperatuurverschil, ΔT
Koelen ($^{\circ}C$)	Min.	15/6 (RV%20)	5/8	3 tot 10
	Max.	33/26 (RV%58)	18/28	
Verwarmen ($^{\circ}C$)	Min.	15/**	35/30	5 tot 20
	Max.	27/**	90/70	

12 Energie besparen en optimale werking

Neem de volgende voorzorgsmaatregelen in acht om voor een optimale werking van het systeem te zorgen.

- Stel de luchttuitlaat zo in dat de lucht niet rechtstreeks op de aanwezige personen wordt geblazen.
- Pas de kamertemperatuur aan voor een aangename omgeving. Voorkom te sterk verwarmen of koelen.
- Houd bij het koelen rechtstreeks zonlicht uit de kamer met behulp van gordijnen of jaloezieën.

- Verlucht dikwijls. Zorg bij langdurig gebruik vooral voor ventilatie.
- Houd deuren en ramen dicht. Als de deuren of ramen open blijven, zal er lucht uit de kamer stromen, met een kleiner koel- of verwarmeffect tot gevolg.
- Koel of verwarm NIET te sterk. Om zuinig om te gaan met energie houdt u de temperatuurinstelling op een gematigd niveau.
- Plaats NOOIT voorwerpen in de buurt van de luchtinlaat of -uitlaat van de unit. Anders kan het verwarmings-/koeleffect afnemen of het systeem uitgeschakeld worden.
- Bij een vochtigheid van meer dan 80% of wanneer de afvoeruitlaat verstopt is, kan condensvorming optreden.

**OPMERKING**

Gebruik het systeem NIET voor andere doeleinden. Gebruik de unit NIET voor het koelen van precisie-instrumenten, voedsel, planten, dieren of kunstwerken, om te voorkomen dat de kwaliteit ervan wordt aangetast.

**VOORZICHTIG**

Gebruik het systeem NIET wanneer een rookvormig insecticide in de ruimte wordt verspreid. Anders zouden de chemische stoffen zich in de unit kunnen ophopen, met gevaar voor de gezondheid van mensen die overgevoelig zijn voor chemische stoffen.

13 Onderhoud en service

13.1 Voorzorgsmaatregelen inzake onderhoud

**GEVAAR: RISICO OP BRANDWONDEN****GEVAAR: RISICO OP ELEKTROCUTIE****OPMERKING**

Houd het luchtfilter schoon en controleer regelmatig het luchtdebiet.

**WAARSCHUWING**

- Schakel **ALTIJD** de hoofdschakelaar op het voedingspaneel uit of verwijder de zekeringen alvorens u onderhoud of reparatie uitvoert.
- Zorg dat u **GEEN** geleidend deel aanraakt.
- Spoel de buitenkant van de unit **NIET** af. Dit kan elektrische schokken of brand veroorzaken.

Om de buitenkant van uw ventilatorconvectoren te reinigen:

- 1 Schakel de ventilatorconvectoren uit.
- 2 Maak de buitenkant van de ventilatorconvectoren schoon met een zachte doek.

**VOORZICHTIG**

- Blokkeer de luchtuitlaat of -inlaat van de unit NIET.
- Leg **GEEN** vochtige of natte kleren op het luchtuitlaatrooster van de unit.
- Giet **GEEN** vloeistoffen in de unit.

Reinig uw ventilatorconvectoren nooit met:

- een agressief chemisch oplosmiddel,
- water heter dan 50°C.

Neem voor onderhoud van uw ventilatorconvectoren contact op met uw installateur of reparatiebedrijf.

13.2 Voorzorgsmaatregelen voor onderhoud en service

**OPMERKING**

Voer **NOOIT** zelf een inspectie van of servicewerkzaamheden aan de unit uit. Vraag hier een erkend servicetechnicus voor. Als eindgebruiker mag u wel het luchtfilter, het aanzuigrooster, de luchtuitblaas en de buitenpanelen reinigen.

**WAARSCHUWING**

Vervang **NOOIT** een zekering door een zekering met een andere waarde of andere draden als een zekering is doorgebrand. Het gebruik van een draad of koperdraad kan een uitval van de unit of brand veroorzaken.

**VOORZICHTIG**

Controleer na langdurig gebruik of de staander en bevestiging niet beschadigd zijn. Bij beschadiging dreigt de unit te vallen en letsel te veroorzaken.

**OPMERKING**

Veeg het bedieningspaneel van de controller **NIET** af met benzine, thinner, reinigingsdoeken met chemische producten, enz. Het paneel kan verkleuren of de coating kan afschilferen. Dompel bij een sterk vervuild bedieningspaneel een doek in met water verdund neutraal detergent, wring de doek goed uit en veeg er dan het paneel mee schoon. Veeg het daarna af met een andere droge doek.

**VOORZICHTIG**

Schakel de voeding volledig uit voordat u de klemmen aanraakt.

**OPMERKING**

Vergeet voor het schoonmaken van de warmtewisselaar niet de schakelkast, ventilatormotor, afvoerpomp en vlotterenschakelaar te verwijderen. De isolatie van de elektronische componenten kan door water of schoonmaakmiddel worden aangetast, waardoor deze componenten kunnen doorbranden.

**WAARSCHUWING**

Ga voorzichtig te werk met ladders wanneer u op een hoogte werkt.

13.3 Luchtfilter, aanzuigrooster, luchtuitblaas en buitenpanelen reinigen

**VOORZICHTIG**

Schakel de unit uit alvorens het luchtfilter, het aanzuigrooster, de luchtuitblaas en de buitenpanelen te reinigen.

**OPMERKING**

- Schrob **NIET** te hard wanneer u de lamel wast met water. **Mogelijk gevolg:** Anders kan de coating er afkomen.

Maak schoon met een zachte doek. Gebruik water of een neutraal schoonmaakmiddel voor moeilijk te verwijderen vlekken.

13.3.1 Luchtfilter reinigen

Wanneer het luchtfilter reinigen:

13 Onderhoud en service

- Vuistregel: Eens om de 6 maand reinigen. Reinig vaker als de lucht in de kamer heel sterk vervuild is.
- Als het vuil niet meer verwijderd kan worden, moet u het luchtfilter vervangen (= optionele uitrusting).

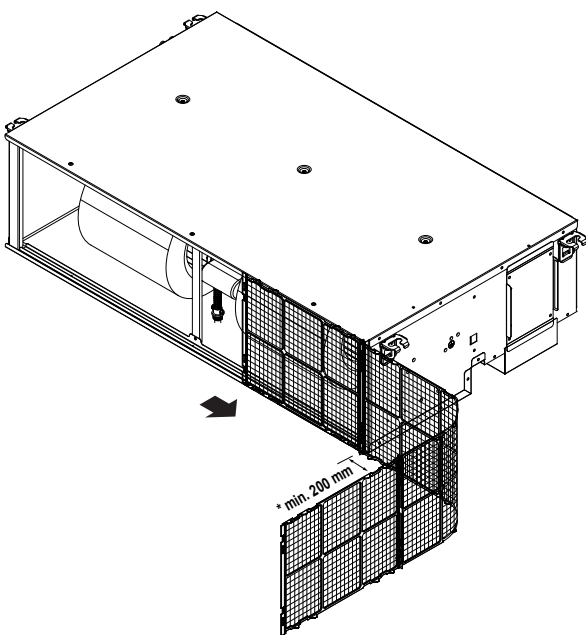
Luchtfilter reinigen:



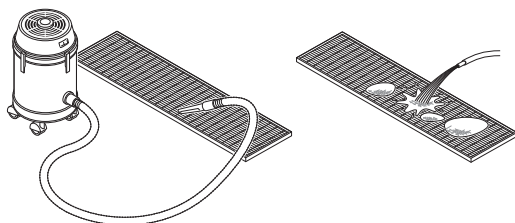
OPMERKING

Gebruik **GEEN** water van 50°C of warmer. **Mogelijk gevolg:** Verkleuring en vervorming.

- 1 Schakel de voeding uit. Het luchtfilter kan aan de linker- en de rechterkant worden geïnstalleerd. Verwijder het filter door het te verschuiven zoals hieronder afgebeeld.



- 2 Reinig het luchtfilter. Gebruik een stofzuiger of was het luchtfilter met water. Als het filter heel vuil is, gebruik dan een zachte borstel en een mild schoonmaakmiddel.



- 3 Laat het luchtfilter drogen in de schaduw.
- 4 Plaats het luchtfilter terug en sluit het aanzuigrooster.

13.4 Onderhoud na een lange periode van stilstand

Bijvoorbeeld aan het begin van het seizoen.

- Controleer en verwijder alles dat de inlaat- en uitlaatopeningen van de binnen- en buitenunits zou kunnen blokkeren.
- Reinig de luchtfilters en behuizingen van de binnenunits (zie "13.3.1 Luchtfilter reinigen" [p. 77]) en Luchtuitblaas en buitenpanelen reinigen).

13.5 Onderhoud voor een lange periode van stilstand

Bijvoorbeeld aan het eind van het seizoen.

- Laat de binnenunits ongeveer een halve dag draaien in de stand alleen ventileren om de binnenkant van de units te drogen. Zie Over koelen, verwarmen, alleen ventileren en automatische werking voor meer informatie over de stand alleen ventileren.
- Schakel de voeding uit. Het display van de gebruikersinterface gaat uit.
- Reinig de luchtfilters en behuizingen van de binnenunits (zie "13.3.1 Luchtfilter reinigen" [p. 77]) en Luchtuitblaas en buitenpanelen reinigen).

13.6 Dienst-na-verkoop en garantie

13.6.1 Aanbevelingen voor onderhoud en inspectie

Aangezien zich na verschillende jaren van gebruik stof kan ophopen in de unit, zullen de prestaties van de unit enigszins afnemen. Het demonteren en schoonmaken van de binnenkant van units vereist een zekere technische kennis. Om voor een optimaal onderhoud van uw units te zorgen, raden wij aan de normale onderhoudswerkzaamheden aan te vullen met een onderhouds- en inspectiecontract. Ons dealernetwerk heeft toegang tot een permanente voorraad essentiële onderdelen om uw unit zo lang mogelijk te laten meegaan. Neem contact op met uw dealer voor meer informatie.

Vermeld altijd de volgende informatie wanneer u uw dealer om een interventie vraagt:

- De volledige modelnaam van de unit.
- Het fabricagenummer (vermeld op het naamplaatje van de unit).
- De installatiedatum.
- De symptomen of de storing, en details van het defect.



WAARSCHUWING

Wijzig, demonteer, verwijder, herinstalleer of repareer de unit **NIET** zelf aangezien een verkeerde demontage of installatie een elektrische schok of brand kan veroorzaken. Neem contact op met uw dealer.

13.6.2 Verkorte onderhouds- en vervangingscycli

De volgende omstandigheden kunnen aanleiding geven tot een kortere "onderhoudscyclus" of "vervangingscyclus":

De unit wordt gebruikt op een plaats waar:

- Hitte en vochtigheid buiten de normale waarden schommelen.
- Grote stroomschommelingen (spanning, frequentie, golfvervorming, enz.) (de unit kan niet worden gebruikt als de stroomschommelingen buiten het toelaatbare bereik vallen).
- Er vaak schokken en trillingen zijn.
- De lucht stof, zout, schadelijke gassen of olienevel zoals zwavelzuur en waterstofsulfide bevat.
- Het toestel frequent wordt gestart en gestopt of lange tijd blijft draaien (sites met airconditioning rond de klok).

Aanbevolen vervangingscyclus voor slijtageonderdelen

Onderdeel	Inspectiecyclus	Onderhoudscyclus (vervangingen en/of reparaties)
Luchtfilter	1 jaar	5 jaar
Filter met hoog rendement		1 jaar
Zekering		10 jaar
Onderdelen onder druk		Neem ingeval van corrosie contact op met uw plaatselijke verdeler.



INFORMATIE

Het is mogelijk dat schade veroorzaakt door het demonteren of schoonmaken van de binnenkant van units door iemand anders dan onze erkende dealers niet onder de garantie valt.

14 Opsporen en verhelpen van storingen

Als zich één van de volgende problemen voordoet, neem dan onderstaande maatregelen en neem contact op met uw verdeler.

ALLEEN een erkend servicetechnicus mag het systeem repareren.

Storing	Maatregel
Als een beveiliging zoals een zekering, onderbreker of aardlekschakelaar vaak in werking treedt, of als de AAN/UIT-schakelaar niet goed werkt.	Schakel de hoofdvoeding uit.
Als water uit de unit lekt.	Stop de werking.
De bedrijfsschakelaar werkt niet goed.	Schakel de voeding uit.

Als het systeem NIET goed werkt, behalve voor de hiervoor vermelde gevallen, en geen van de vermelde storingen van toepassing is, volg dan de volgende procedures om na te gaan wat er misloopt.

Storing	Maatregel
Indien het systeem helemaal niet werkt.	<ul style="list-style-type: none"> Controleer of er geen stroomonderbreking is. Wacht tot de stroom is hersteld. Controleer of er geen zekering is doorgebrand of een onderbreker in werking is gesteld. Vervang indien nodig de zekering of reset de onderbreker.
Het systeem werkt, maar koelt of verwarmt onvoldoende.	<ul style="list-style-type: none"> Controleer of de luchtinlaat of -uitlaat van de buitenunit of de binnenunit niet geblokkeerd is. Verwijder eventuele obstakels en zorg ervoor dat de lucht vrij kan circuleren. Controleer of het luchtfilter niet verstopt is (zie "13.3.1 Luchtfilter reinigen" ▶ 77). Controleer de temperatuurstelling. Controleer de instelling van de ventilatorsnelheid op uw gebruikersinterface. Controleer of er geen deuren of ramen openstaan. Sluit alle deuren en ramen om te voorkomen dat er wind binnenkomt. Controleer of er niet te veel mensen aanwezig zijn in de kamer tijdens het koelen. Controleer of de warmtebron in de kamer niet te groot is. Controleer of er geen rechtstreeks zonlicht in de kamer schijnt. Gebruik gordijnen of jaloezieën. Controleer of de luchtstroomhoek goed is.

Neem contact op met uw installateur als u na controle van alle bovenstaande punten het probleem niet zelf kunt oplossen. Geef hem de symptomen door, de volledige modelnaam van de unit (met indien mogelijk ook het fabricagenummer) en de installatiedatum.

14.1 Problemen met uw ventilatorconvectoren oplossen

Uw ventilatorconvectoren werkt niet

Als uw ventilatorconvectoren niet werkt:

Controleer:	Indien ja,
Is de ventilatorconvectoren in de stand UIT gezet?	Zet de ventilatorconvectoren in de stand AAN .
Is er een stroompanne?	Zet de stroom opnieuw aan.
Is de stroomonderbreker (zekering) geactiveerd?	Neem contact op met uw installateur of reparatiebedrijf.

Uw ventilatorconvectoren koelt of verwarmt niet goed

Als uw ventilatorconvectoren niet goed koelt of verwarmt:

Controleer:	Indien ja,
Bevindt er zich een obstakel vlakbij de luchtinlaat of -uitlaat?	Verwijder het obstakel.
Staan er deuren en ramen open?	Sluit deuren en ramen.
Werkt de ventilatorconvectoren op lage snelheid ?	Selecteer gemiddelde snelheid of hoge snelheid .
Zijn de luchtfilters vuil?	Neem contact op met uw installateur of reparatiebedrijf.

Er lekt water uit uw ventilatorconvectoren

Schakel de unit uit en neem contact op met uw installateur of reparatiebedrijf.

Wanneer uw ventilatorconvectoren niet goed werkt, kunt u proberen het probleem op te lossen door middel van de correctieve maatregelen in dit hoofdstuk.

Als het probleem zich blijft voordoen of niet wordt besproken in dit hoofdstuk, neem dan contact op met uw installateur of reparatiebedrijf.

14.2 Verplaatsen

Neem contact op met uw dealer om de volledige unit te verwijderen en opnieuw te installeren. Het verplaatsen van units vereist een zekere technische kennis.

15 Als afval verwijderen

- Units dragen het volgende symbool:



Dit betekent dat u GEEN elektrische en elektronische producten mag mengen met ongesorteerd huishoudelijk afval. Probeer het systeem NIET zelf te ontmantelen: het ontmantelen van het systeem en het behandelen van het koelmiddel, van olie en van andere onderdelen MOET door een erkende installateur conform met de geldende wetgeving uitgevoerd worden.

De units MOETEN voor hergebruik, recycling en terugwinning bij een gespecialiseerd behandlungsbedrijf worden behandeld. Door ervoor te zorgen dat dit product op de juiste manier wordt weggeworpen, draagt u bij tot het voorkomen van mogelijke negatieve gevolgen voor milieu en menselijke gezondheid. Voor meer informatie, contacteer uw installateur of de plaatselijke overheid.

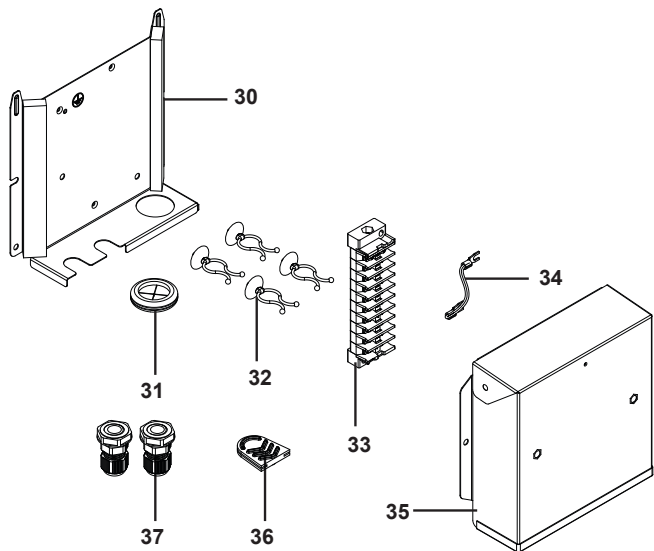
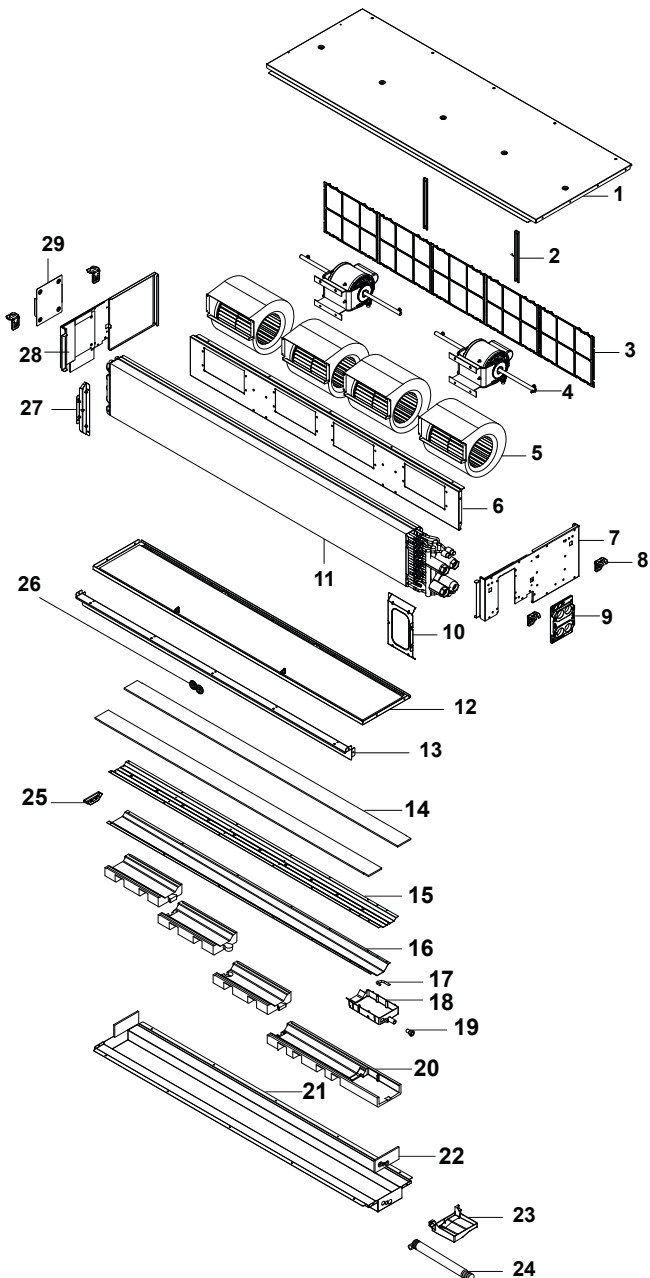
16 Technische gegevens

OPMERKING

Probeer het systeem NIET zelf te ontmantelen: het ontmantelen van het systeem en het behandelen van het koelmiddel, van olie en van andere onderdelen MOETEN conform met de geldende wetgeving uitgevoerd worden. De units MOETEN voor hergebruik, recyclage en terugwinning bij een gespecialiseerd behandelingsbedrijf worden behandeld.

De installateur is verplicht om de goede werking na de installatie te controleren. Neem contact op met uw plaatselijke dealer als er een probleem is met de unit.

Verwijder de schroeven met het gepaste gereedschap. Het product kan worden gedemonteerd zoals hierna afgebeeld.

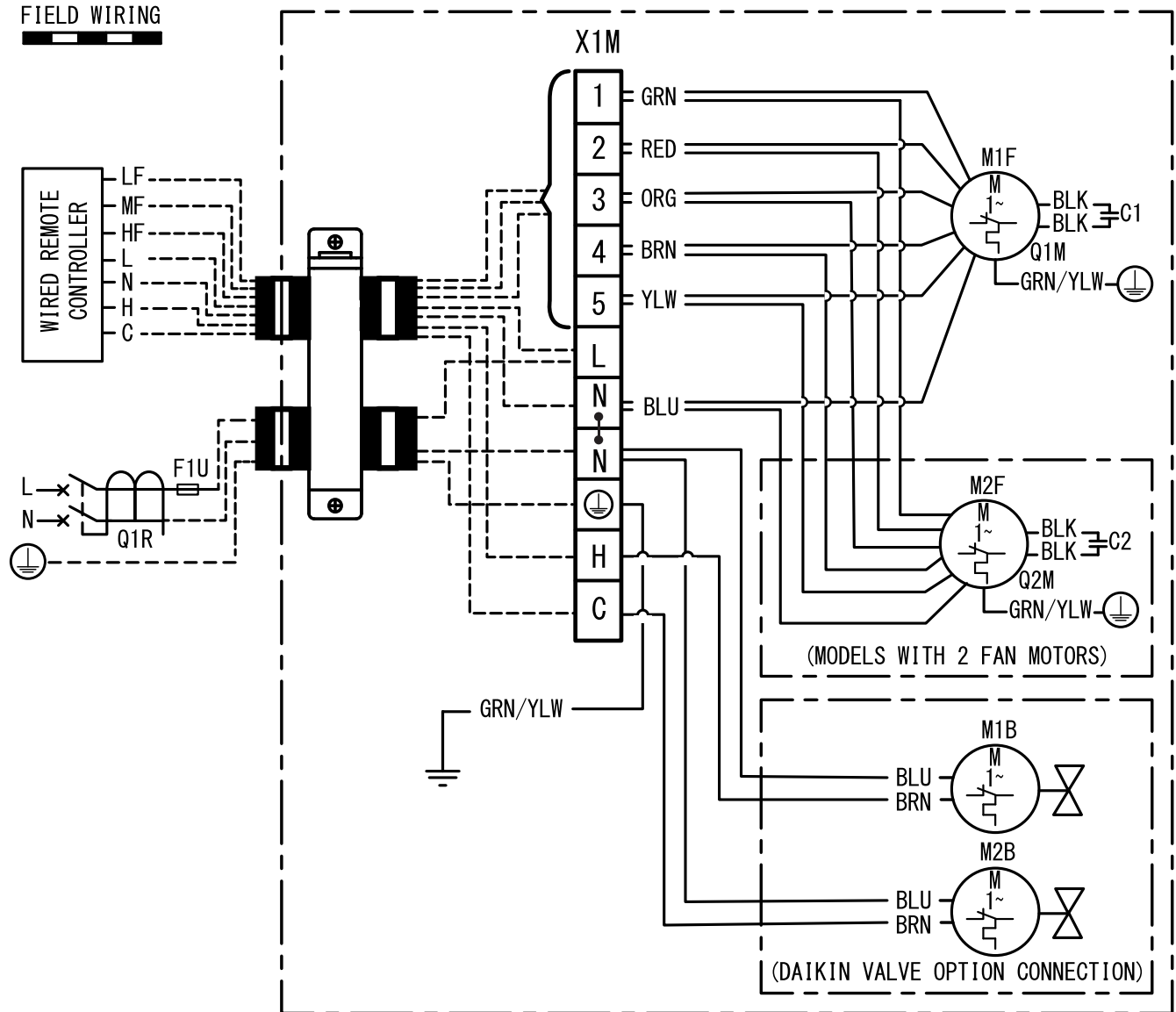


Materiaal	Item
Elektrisch onderdeel (ventilatormotor + condensator)	4
Aluminium (lamel) + koper (buis) + verzinkt staal (plaat) + messing + kunststof schuim	11
Plastic	9, 18, 23, 24, 32, 37
Plastic schuim	14, 22
Plastic + metaal	33, 34
Plastic (frame) + plastic (net)	3
Verzinkt staal	2, 5, 6, 8, 13, 15, 16, 21, 27
Verzinkt staal + plastic schuim	1, 7, 10, 12, 28, 29, 30, 35
Rubber	19, 25, 26, 31, 36
EPP	20
Koper	17

16 Technische gegevens

Een **deel** van de recentste technische gegevens is beschikbaar op de regionale Daikin-website (publiek toegankelijk). De **volledige** recentste technische gegevens zijn beschikbaar op het Daikin Business Portal (authenticatie vereist).

16.1 Bedradingsschema



Legende bedradingsschema's:

C1 , C2	Condensator
F1U	Lokale zekering
M1F, M2F	Ventilatormotor
M1B	Verwarmingsactuator
M2B	Koelingsactuator
Q1M , Q2M	Thermische beveiliging
Q1R	Aardlekschakelaar
X1M	Klemmenstrook
L	Stroomvoerend
N	Neutraal
1	Laagste snelheid
5	Hoogste snelheid
H	Klep verwarmen
C	Klep koelen
LF	Lage ventilatorsnelheid
MF	Middelmatige ventilatorsnelheid
HF	Hoge ventilatorsnelheid

	Veiligheidsaarding
	Aarding

Kleuren:

BLK	Zwart
BLU	Blauw
BRN	Bruin
GRN	Groen
ORG	Oranje
RED	Rood
YLW	Geel

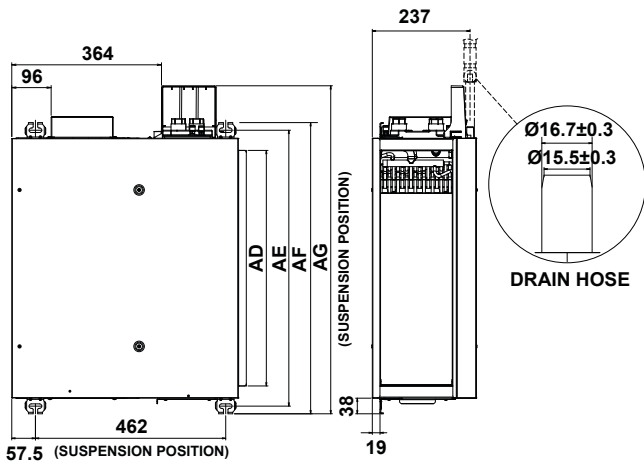
Opmerkingen:

- Klemmenstrook Lokale bedrading.
- Zie de montagehandleiding voor de stroomvereisten

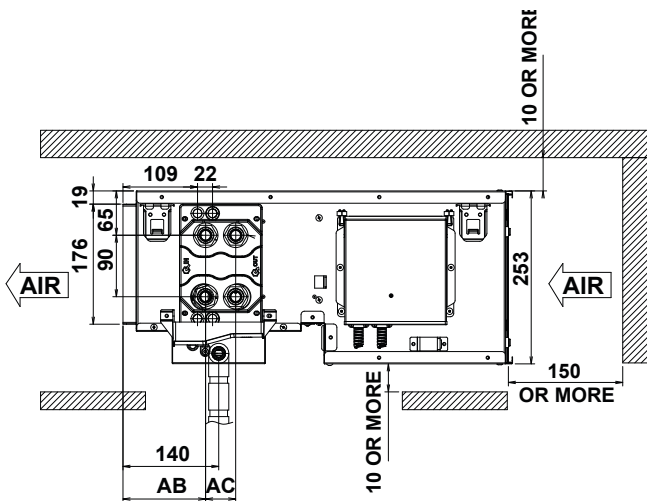
16 Technische gegevens

16.2 Afmetingen

Overzicht



MODEL	AD	AE	AF	AG
FWE04&05 &06F	572	670	707	797
FWE08&10 &12F	877	975	1012	1102
FWE14&16 F	1187	1285	1322	1412
FWE20&24 F	1487	1585	1622	1712



MODEL	AB	AC
FWE04&05&06&08& 10&12F	118	50
FWE14&16&20&24F	121	44

17 Informatievereisten voor ecologisch ontwerp

Prated,c	Prated,c	Prated,h	Pelec	LWA	
<p>Prated,c (sensible)</p> <p>Prated,c (latent)</p> <p>Prated,h</p> <p>Pelec</p>	<p>Cooling capacity (sensible)</p> <p>Kühlleistung (sensibel)</p> <p>Puissance de rafraîchissement (sensible)</p> <p>Koelcapaciteit (voelbaar)</p> <p>Capacidad de refrigeración (sensibilidad)</p> <p>Capacitat de refredament (sensible)</p> <p>Απόδοση ψύξης (οσιόητιο)</p> <p>Capacidade de arrefecimento (sensible)</p> <p>Soğutma kapasitesi (duyarlı)</p> <p>Хладопроизводительность (явная)</p> <p>Kylningskapacitet (känslig)</p> <p>Avkjølingskapasitet (følbart)</p> <p>Chladicí výkon (citelný)</p> <p>Kapacitet hlađenja (osjetljivo)</p> <p>Hűtési teljesítmény (érzékeny)</p> <p>Capacitate de răcire (fără dezumidificare)</p> <p>Moč hlađenja (zaznavna)</p> <p>Kapacita chladenia (účinná)</p> <p>Капацитет на охлаждане (практически)</p> <p>Wydajność chłodnicza (jawna)</p> <p>Koolekapacitet (mænkbart)</p> <p>Jäähdytyskapasiteetti (järkevä)</p> <p>Jahutusvõimsus (mõõdukas)</p> <p>Dzieszanias kapacitate (jūtamā)</p> <p>Vésinimo galia (tikroji)</p> <p>Kapacitet i tihjes (sensibël)</p> <p>Kapacitet hlađenja (opipljiv)</p>	<p>Cooling capacity (latent)</p> <p>Kühlleistung (latent)</p> <p>Puissance de rafraîchissement (latente)</p> <p>Koelcapaciteit (latent)</p> <p>Capacidad de refrigeración (latente)</p> <p>Capacitat de refredament (latente)</p> <p>Απόδοση ψύξης (ακίνητο)</p> <p>Capacidade de arrefecimento (latente)</p> <p>Soğutma kapasitesi (gizli)</p> <p>Хладопроизводительность (скрытая)</p> <p>Kylningskapacitet (latent)</p> <p>Avkjølingskapasitet (latent)</p> <p>Chladicí výkon (latentní)</p> <p>Kapacitet hlađenja (latentno)</p> <p>Hűtési teljesítmény (látens)</p> <p>Capacitate de răcire (cu dezumidificare)</p> <p>Moč hlađenja (latentna)</p> <p>Kapacita chladenia (latentná)</p> <p>Капацитет на охлаждане (потенциален)</p> <p>Wydajność chłodnicza (ujajona)</p> <p>Koolekapacitet (skjult)</p> <p>Jäähdytyskapasiteetti (latentti)</p> <p>Jahutusvõimsus (latentne)</p> <p>Dzieszanias kapacitate (latentā)</p> <p>Vésinimo galia (latentinė)</p> <p>Kapacitet i tihjes (nė glendje gliumi)</p> <p>Kapacitet hlađenja (latentian)</p>	<p>Heating capacity</p> <p>Heizleistung</p> <p>Puissance de chauffage</p> <p>Verwarmingcapaciteit</p> <p>Capacidad de calefacción</p> <p>Capacitat de riscaldament</p> <p>Απόδοση θέρμανσης</p> <p>Capacidade de aquecimento</p> <p>Isıtma kapasitesi</p> <p>Теплопроизводительность</p> <p>Värmekapacitet</p> <p>Oppvarmingskapasitet</p> <p>Topný výkon</p> <p>Kapacitet grijanja</p> <p>Fűtési teljesítmény</p> <p>Capacitate de încălzire</p> <p>Moč ogrevanja</p> <p>Укoлoн oтpеvчeн</p> <p>Отоплительная мощность</p> <p>Wydajność grzewcza</p> <p>Varmekapacitet</p> <p>Lämmitystöho</p> <p>Apsildes kapacitate</p> <p>Šildymo galia</p> <p>Kapacitet i ngronhjes</p> <p>Kapacitet grijanja</p>	<p>Total electric power input</p> <p>Elektrische Gesamtleistungsaufnahme</p> <p>Entrée électrique totale</p> <p>Totaal opgenomen vermogen</p> <p>Potencia eléctrica de entrada total</p> <p>Potenza elettrica totale assorbita</p> <p>Συνολική ηλεκτρική ισχύς εισόδου</p> <p>Entrada de potência eléctrica total</p> <p>Секілон топлам електрик гүці</p> <p>Общая потребляемая электрическая мощность</p> <p>Total effektingång</p> <p>Total elektrisk strømeffekt</p> <p>Čalkový elektrický příkon</p> <p>Ukupna primljena snaga električne energije</p> <p>Teļjas āramforrās-bemenēt</p> <p>Consum total de putere</p> <p>Skupna vhodna električna moč</p> <p>Сeлkовý елeктpичeскý пpикoн</p> <p>Обща входяща електрическа мощност</p> <p>Całkowita pobierana energia elektryczna</p> <p>Total elektrisk strømforsyning</p> <p>Sähkötehon kokonaistulo</p> <p>Kogu elektriline sisendvõimsus</p> <p>Kopējā elektriskā ieejas jauda</p> <p>Benrojo elektros varojamoji galia</p> <p>Konsumi total i energijsē elektrike</p> <p>Ukupna ulazna električna snaga</p>	<p>Sound power level (per speed setting, if applicable)</p> <p>Schalleistungspegel (je Geschwindigkeitsstellung, falls zutreffend)</p> <p>Niveau de puissance sonore (par réglage de vitesse, le cas échéant)</p> <p>Geluidsvermogeniveau (per snelheidsinstelling, indien van toepassing)</p> <p>Nivel de potencia acústica (según ajuste de velocidad, si corresponde)</p> <p>Livello di potenza sonora (per velocità impostata, se applicabile)</p> <p>Συνολική ηχητική ισχύς (ανρβούρηση τοχύτης, εφόσον διατίθεται)</p> <p>Nivel de potencia acústica (por regulación de velocidad, se aplicable)</p> <p>Ses gücü seviyesi (mümkünse hız ayar başına)</p> <p>Уровeнь звукового давления (согласно настройке скорости, если применимо)</p> <p>Ljudeffektsnivå (per hastighetsinställning, om tillämpligt)</p> <p>Nivå på lydeffekt (per hastighetsinstilling, hvis tilgjengelig)</p> <p>Hladina akustického výkonu (dle nastavení otáček pokud je to použitečné)</p> <p>Razina jačine zvuka (postavka prema brzini, ako je primjenljivo)</p> <p>Hangerőszint (sebességszintenként, ha alkalmazható)</p> <p>Nivel presiune sonoră (în funcție de turajie, dacă este cazul)</p> <p>Raven zvočne moči (glede na nastavitev hitrosti, če se uporablja)</p> <p>Úroveň akustického tlaku (na prstluisné nastavenie rýchlosti, ak sa používa)</p> <p>Ниво на акустичкото моцност (за различните настройки на оборотите, ако е приложимо)</p> <p>Poziom mocy dzwieku (dla ustawienia predkości, jeśli dotyczy)</p> <p>Stojnivau (efter hastighetsinställning hvis relevant)</p> <p>Äänen tehotaso (nopeussäätöksen mukaan, jos sovellettävissa)</p> <p>Helivõimsuse tase (võimalusel olenvalt määratud kiirusest)</p> <p>Skaņas intensitātes līmenis (atbilstīgā gadījumā – katram ātruma iestāījumam)</p> <p>Garso galios lygis (vienai greičio nuostatai, jei taikytina)</p> <p>Niveli i fuqisē sē tingulit (pēr cilēsim sipejētēsie, nēse aplikohet)</p> <p>Nivo zvočne snage (po podešenoj brzini, ako je primjenljivo)</p>

Prated,c (sensible)	Prated,c (latent)	Prated,h	Pelec	Lwa
1.8	0.057	52	0.058	52
2.0	0.057	53	0.058	52
2.7	0.079	61	0.082	61
3.5	0.094	55	0.096	54
3.7	0.109	57	0.103	57
4.3	0.122	60	0.115	61
5.6	0.170	61	0.175	60
6.3	0.189	64	0.190	64
8.3	0.180	60	0.191	59
9.7	0.224	64	0.230	64

Tabla de contenidos

1	Acerca de la documentación	84
1.1	Acerca de este documento.....	84
1.2	Significado de los símbolos y advertencias.....	85
1.3	Información general.....	85
2	Instrucciones de seguridad específicas para el instalador	85
Para el instalador		86
3	Acerca de la caja	86
3.1	Desembalaje y manipulación de la unidad fan coil.....	86
3.2	Extracción de los accesorios de la unidad fan coil.....	87
4	Acerca de las unidades y las opciones	87
4.1	Identificación.....	87
4.1.1	Etiqueta identificativa: Unidad fan coil.....	87
5	Instalación de la unidad	87
5.1	Preparación del lugar de instalación.....	87
5.2	Intercambiabilidad.....	88
5.3	Montaje de la unidad.....	89
5.3.1	Instalación de los pernos de suspensión.....	89
5.3.2	Cómo montar la unidad.....	89
5.4	Instalación de la tubería de agua.....	90
5.4.1	Preparación de las tuberías de agua.....	90
5.4.2	Conexión de las tuberías de agua.....	90
5.5	Instalación de la tubería de drenaje.....	91
5.5.1	Pautas al instalar la tubería de drenaje.....	91
5.5.2	Conexión de la tubería de drenaje.....	92
5.6	Instalación de equipos opcionales.....	93
5.6.1	Preparación de los equipos opcionales.....	93
5.6.2	Conexión de los equipos opcionales.....	93
6	Instalación eléctrica	93
6.1	Preparación del cableado eléctrico.....	93
6.2	Conexión del cableado eléctrico.....	94
7	Puesta en marcha	95
7.1	Lista de comprobación antes de la puesta en servicio.....	95
Para el usuario		95
8	Instrucciones de seguridad para el usuario	95
8.1	Instrucciones para un funcionamiento seguro.....	95
9	Acerca del sistema	96
10	Antes de la puesta en marcha	96
11	Funcionamiento	97
11.1	Rango de funcionamiento.....	97
12	Ahorro de energía y funcionamiento óptimo	97
13	Mantenimiento y servicio técnico	97
13.1	Precauciones de seguridad durante el mantenimiento.....	97
13.2	Precauciones de mantenimiento y servicio.....	97
13.3	Limpieza del filtro de aire, la rejilla de aspiración, la salida de aire y los paneles exteriores.....	98
13.3.1	Cómo limpiar el filtro de aire.....	98
13.4	Mantenimiento después de un largo período sin utilizar la unidad.....	98
13.5	Mantenimiento antes de un largo período sin utilizar la unidad.....	98
13.6	Servicio postventa y garantía.....	98
13.6.1	Mantenimiento e inspección.....	98

13.6.2 Ciclos de mantenimiento y sustitución acortados..... 99

14	Solución de problemas	99
14.1	Cómo solucionar los problemas de su unidad fan coil.....	99
14.2	Reubicación.....	100
15	Tratamiento de desechos	100
16	Datos técnicos	101
16.1	Diagrama de cableado.....	101
16.2	Dimensiones.....	102
17	Requisitos informativos para diseño ecológico	103

1 Acerca de la documentación

1.1 Acerca de este documento



ADVERTENCIA

Este equipo no está previsto para ser utilizado por personas con discapacidades físicas, sensoriales o psicológicas, incluyendo a los niños menores de 8 años, al igual que personas sin experiencia o conocimientos necesarios para ello, a menos que dispongan de una supervisión o instrucciones sobre el uso seguro del equipo y los riesgos que conlleva su utilización.

Los niños NO DEBEN jugar con el aparato.

Los niños NO deben realizar la limpieza ni el mantenimiento sin supervisión.

Audiencia de destino

Instaladores autorizados + usuarios finales



INFORMACIÓN

Este aparato ha sido diseñado para utilizarse en entornos comerciales, industriales o empresariales.

Conjunto de documentos

Este documento forma parte de un conjunto de documentos. El conjunto completo consiste en:

- **Precauciones generales de seguridad:**
 - Instrucciones de seguridad que debe leer antes de la instalación
 - Formato: Papel (en la caja de la unidad interior)
- **Manual de instalación y funcionamiento de la unidad interior:**
 - Instrucciones de instalación y funcionamiento
 - Formato: Papel (en la caja de la unidad interior)
 - Formato: archivos digitales en <https://www.daikin.eu> Utilice la función de búsqueda 🔍 para encontrar su modelo.








La última revisión de la documentación suministrada está publicada en el sitio web regional de Daikin y está disponible a través de su distribuidor.

Las instrucciones originales están redactadas en inglés. Las instrucciones en los demás idiomas son traducciones de las instrucciones originales.


Datos técnicos

- Hay disponible un **subconjunto** de los datos técnicos más recientes en el sitio web regional Daikin (accesible al público).
- Hay disponible un **conjunto completo** de los datos técnicos más recientes en el Daikin Business Portal (autenticación necesaria).

1.2 Significado de los símbolos y advertencias





	PELIGRO Indica una situación que podría provocar la muerte o heridas graves.
	PELIGRO: RIESGO DE ELECTROCUCIÓN Indica una situación que podría provocar la electrocución.
	PELIGRO: RIESGO DE QUEMADURAS/ ABRASAMIENTO Indica una situación que podría provocar quemaduras/ escaldadura debido a temperaturas calientes o frías extremas.
	ADVERTENCIA Indica una situación que podría provocar la muerte o heridas graves.
	PRECAUCIÓN Indica una situación que podría provocar lesiones leves o moderadas.
	AVISO Indica una situación que podría provocar daños a los equipos o a la propiedad.
	INFORMACIÓN Indica consejos útiles o información adicional.


Símbolos utilizados en la unidad:


Símbolo	Explicación
	Antes de la instalación, lea el manual de instalación y funcionamiento y la hoja de instrucciones para el cableado.


1.3 Información general


Si NO está seguro de cómo instalar o utilizar la unidad, póngase en contacto con su distribuidor.


	ADVERTENCIA La instalación o conexión incorrecta de equipos o accesorios podría provocar una descarga eléctrica, un cortocircuito, fugas, fuego u otros daños a los equipos. Utilizar SOLO accesorios, equipos opcionales y piezas de repuesto fabricadas o aprobadas por Daikin a menos que se indique lo contrario.
	ADVERTENCIA Asegurarse de que la instalación, las pruebas y los materiales aplicados cumplen la legislación pertinente (además de las instrucciones descritas en la documentación de Daikin).
	PRECAUCIÓN Llevar el equipo de protección individual adecuado (guantes de protección, gafas de seguridad...) al realizar labores de instalación y mantenimiento del sistema.
	ADVERTENCIA Rompa las bolsas de plástico del embalaje y tírelas a la basura, para que nadie, en particular los niños, jueguen con ellas. Posible consecuencia: asfixia.


	ADVERTENCIA Adoptar las medidas pertinentes para evitar que la unidad pueda utilizarse como refugio de animales pequeños. Los animales pequeños que entren en contacto con componentes eléctricos pueden provocar averías, humo o fuego.
---	--


	PRECAUCIÓN NO toque la entrada de aire ni las aletas de aluminio de la unidad.
---	--


	PRECAUCIÓN <ul style="list-style-type: none"> ▪ NO colocar objetos ni equipos encima de la unidad. ▪ NO sentarse ni subirse encima de la unidad.
---	---

	PELIGRO: RIESGO DE ELECTROCUCIÓN <ul style="list-style-type: none"> ▪ Asegúrese de que el sistema esté conectado a tierra correctamente. ▪ DESCONECTE la alimentación eléctrica antes de realizar el mantenimiento. ▪ Instale la cubierta de la caja de conexiones antes de CONECTAR la alimentación eléctrica.
---	---

	PRECAUCIÓN <ul style="list-style-type: none"> ▪ Compruebe si la ubicación donde está instalada la unidad puede soportar su peso. Una instalación deficiente es peligrosa. Puede provocar vibraciones o ruidos de funcionamiento anormales. ▪ Disponga de suficiente espacio para el mantenimiento. ▪ NO instale la unidad de forma que esté en contacto con el techo o la pared, puesto que se pueden producir vibraciones.
---	---


	PELIGRO: RIESGO DE ELECTROCUCIÓN NO maneje las unidades fan coil con las manos mojadas. Se puede producir una descarga eléctrica.
---	---


	ADVERTENCIA Esta unidad contiene componentes eléctricos y piezas calientes.
---	---

	ADVERTENCIA Si el cable de suministro resulta dañado, DEBERÁ ser sustituido por el fabricante, su agente o técnico cualificado similar para evitar peligros.
---	--

2 Instrucciones de seguridad específicas para el instalador

Respete siempre las siguientes instrucciones y normativas de seguridad.

	ADVERTENCIA Asegúrese de que las operaciones de instalación, mantenimiento y reparación cumplan con las instrucciones que aparecen en Daikin y con la normativa aplicable (por ejemplo, la normativa nacional sobre gas) y que SOLO las realice personal autorizado.
---	--

	ADVERTENCIA La instalación debe correr a cargo de un instalador y los materiales y la instalación deben ajustarse a la legislación en vigor. En Europa, la EN378 es la norma aplicable.
---	---

3 Acerca de la caja



ADVERTENCIA

Mantenga el cableado de interconexión lejos de los tubos de cobre sin aislamiento térmico, puesto que dichos tubos estarán muy calientes.



PRECAUCIÓN

En paredes que contengan una estructura metálica o una placa metálica, utilice un tubo empotrado en la pared en el orificio de paso de alimentación para evitar el posible calor o descargas eléctricas o incendios.



AVISO

- Las tuberías deben montarse y protegerse adecuadamente frente a daños físicos.
- Mantenga las tuberías de instalación al mínimo.



ADVERTENCIA

- NO utilice componentes eléctricos adquiridos localmente dentro del producto.
- NO realice ninguna derivación de suministro eléctrico para la válvula etc., desde el bloque de terminales. Esto podría producir descargas eléctricas o incendios.

Para el instalador

3 Acerca de la caja

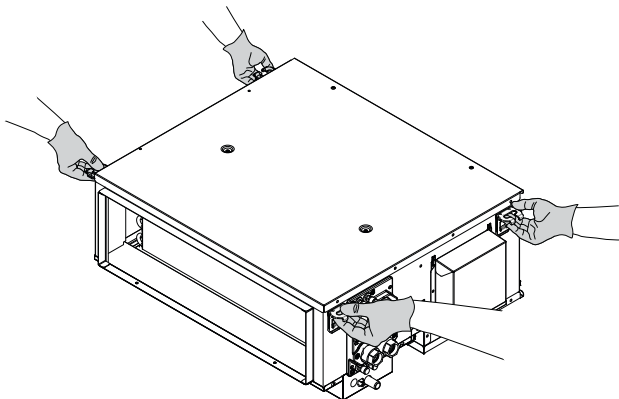
Tenga en cuenta las siguientes observaciones:

- En la entrega, la unidad DEBE revisarse por si presenta daños o no está completa. Cualquier daño o pieza faltante DEBE notificarse inmediatamente al agente de reclamaciones de la compañía de transporte.
- Para evitar daños durante el transporte, traslade la unidad lo más cerca posible de su lugar de instalación en el embalaje original.
- Prepare con antelación la ruta por donde se transportará la unidad hasta su posición final.

3.1 Desembalaje y manipulación de la unidad fan coil

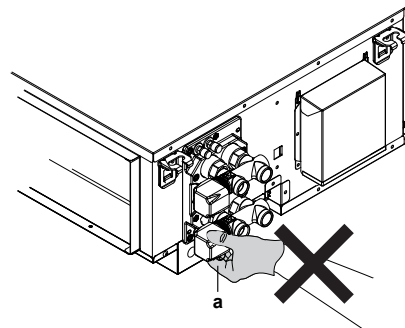
Utilice una eslinga de material blando o placas protectoras junto con una cuerda para levantar la unidad. Esto es para no dañar ni rayar la unidad.

- Levante la unidad sujetándola por los soportes de suspensión sin ejercer fuerza sobre ninguna otra parte, especialmente sobre la tubería de drenaje y el aislamiento térmico.



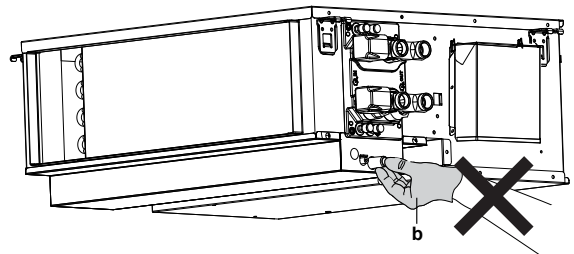
AVISO

NO levante la unidad desde los actuadores de la válvula (a).



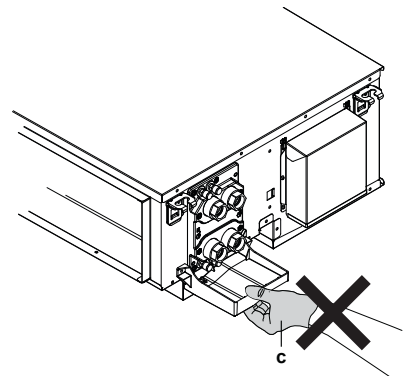
AVISO

NO levante la unidad desde la toma de la bandeja de drenaje (b).

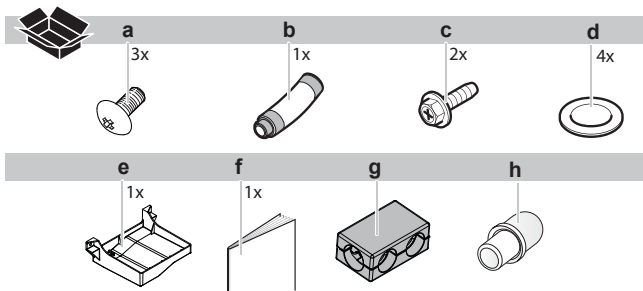


AVISO

NO levante la unidad desde los bandeja de subdrenaje (c).



3.2 Extracción de los accesorios de la unidad fan coil



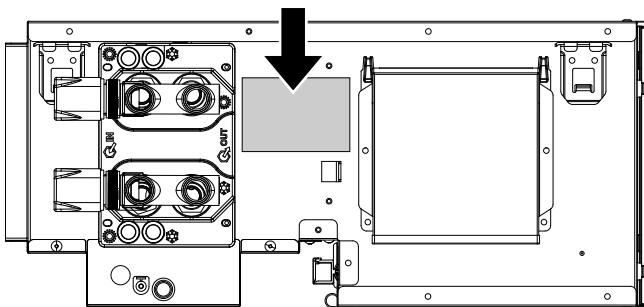
- a Tornillo M4 para bandeja de subdrenaje 2x y manguera de drenaje 1x
- b Manguera de drenaje
- c Tornillo M5 para FWECSAP 2x
- d Junta
- e Bandeja de subdrenaje
- f Manual de instalación y funcionamiento
- g Aislamiento térmico para las válvulas (2 tubos: 1x y 4 tubos: 2x) (*)
- h Tapa abocardada
- * Solo modelos con válvula de montada de fábrica

4 Acerca de las unidades y las opciones

4.1 Identificación

4.1.1 Etiqueta identificativa: Unidad fan coil

Ubicación



Identificación de modelo

Ejemplo: FW E 04 F A T N 5 V3 --

Código	Descripción
FW	Unidad fan coil de agua
E	Conducto de baja ESP
F	Series de modelo principales
A	Modificación menor en el modelo
T	2 tubos
F	4 tubos
N	Sin válvula
V	Válvula de 3 vías (ON/OFF - 230 V)
T	Válvula de 2 vías (ON/OFF - 230 V)
5	Fábrica de Hendek
V1	1 fase / 50 Hz / 220-240 V
-	Sin opción
-	Agua en el lado izquierdo, conexión eléctrica en el lado izquierdo
R	Agua en el lado derecho, conexión eléctrica en el lado derecho

5 Instalación de la unidad

5.1 Preparación del lugar de instalación



ADVERTENCIA

Utilice SIEMPRE conductos, aislamientos térmicos y empalmes no inflamables, los materiales inflamables pueden provocar un incendio.



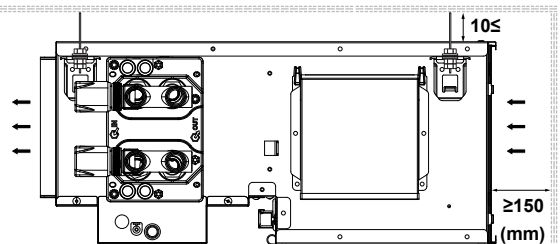
AVISO

La unidad debe instalarse a $\geq 2,5$ m del suelo.



AVISO

El espacio entre el techo y la unidad debe ser de ≥ 10 mm y el espacio de aspiración debe ser de ≥ 150 mm.



INFORMACIÓN

El nivel de presión sonora es inferior a 70 dBA.



PRECAUCIÓN

Aparato NO es accesible al público en general. Instálelo en una zona segura, a la que no se pueda acceder fácilmente.

Esta unidad es adecuada para instalarse en un entorno comercial e industrial ligero.



AVISO

Si la instalación desde abajo NO es posible, porque hay techos muy altos, se puede acceder desde la parte superior del techo para instalar la unidad.

Para la instalación, elija un lugar que cumpla las siguientes condiciones y cuente con la aprobación de su cliente.

- El espacio alrededor de la unidad debe ser adecuado para realizar el mantenimiento y el servicio de esta. El espacio alrededor de la unidad debe permitir una circulación y distribución del aire suficientes. Consulte el espacio necesario para la instalación.
- Asegúrese de que el área esté bien ventilada. NO bloquee ninguna abertura de ventilación.
- Asegúrese de que el lugar de instalación soporta el peso y las vibraciones de la unidad.
- Tenga cuidado en caso de que se produzca una fuga de agua, el agua no debe provocar daños en el espacio de instalación y alrededores.
- Elija un lugar donde el sonido de funcionamiento o el aire caliente o frío descargado por la unidad no moleste a nadie y cumpla con la normativa en vigor.
- **Drenaje.** Asegúrese de que el agua de condensación pueda evacuarse correctamente.
- En lugares con una mala recepción, mantenga unas distancias de por lo menos 3 m para evitar interferencias electromagnéticas con otros equipos y utilice tubos de cables para las líneas de alimentación y transmisión.

5 Instalación de la unidad

▪ **Lámparas fluorescentes.** Cuando instale un controlador remoto inalámbrico (interfaz de usuario) en una habitación con lámparas fluorescentes, tenga en cuenta lo siguiente para evitar interferencias:

- Instale el controlador remoto inalámbrico (interfaz de usuario) lo más cerca posible de la unidad interior.
- Instale la unidad interior lo más lejos posible de las lámparas fluorescentes.

NO instale la unidad en lugares que se utilicen normalmente para trabajar. En caso de trabajos de construcción (por ejemplo, trabajos de rectificado, donde se genera mucho polvo, la unidad DEBE cubrirse).

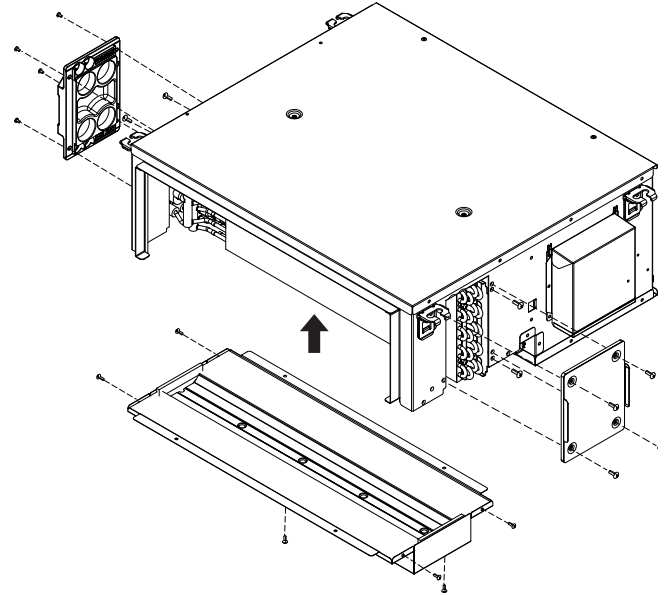
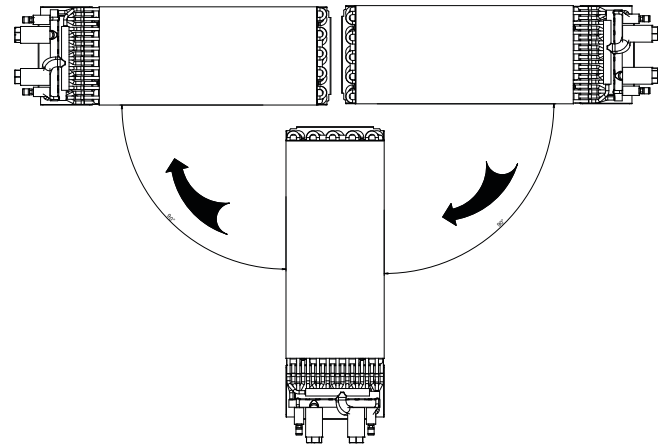
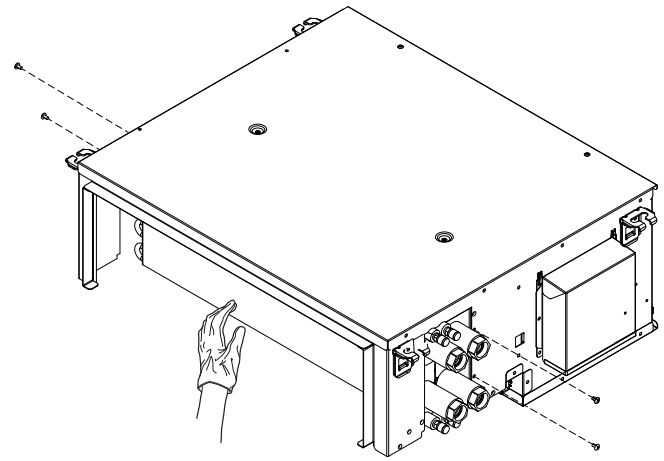
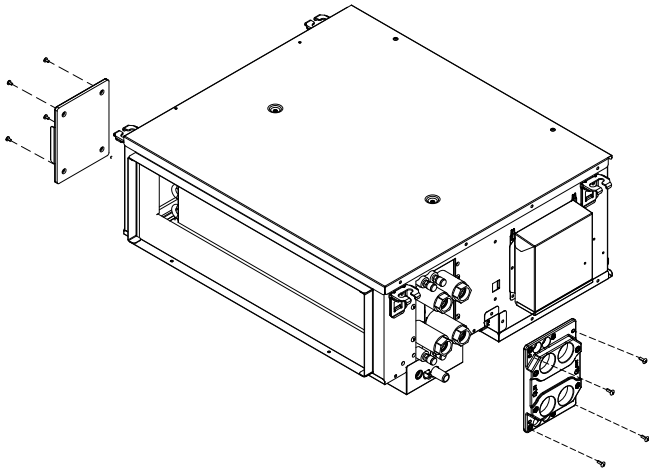
No instale ni haga funcionar la unidad en ambientes como los descritos a continuación.

- Lugares con aceite mineral, o llenos de vapores de aceite o aerosoles, como una cocina (las piezas de plástico pueden deteriorarse).
- Donde exista gas corrosivo como el gas sulfuroso. Las tuberías de cobre y los puntos de soldadura se pueden corroer.
- Donde el aire contenga niveles altos de sal, como cerca de la costa y donde la tensión fluctúe mucho (por ejemplo, en fábricas). También en vehículos y naves.
- En lugares con maquinaria que emita ondas electromagnéticas. Las ondas electromagnéticas pueden alterar el sistema de control y provocar un funcionamiento incorrecto del equipo.
- En lugares donde haya riesgo de incendio debido a escapes de gases inflamables (ejemplo: disolvente o gasolina), fibra de carbono, polvo inflamable.
- La unidad NO puede instalarse en un cuarto de baño.

5.2 Intercambiabilidad

El sentido del producto debe cambiarse en el suelo.

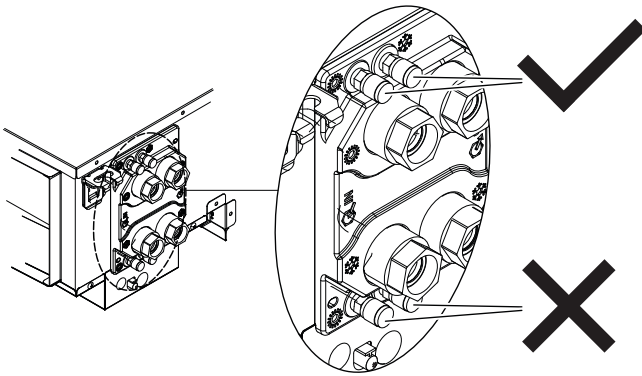
Retire la lámina metálica de cobertura en la placa lateral de la unidad.





AVISO

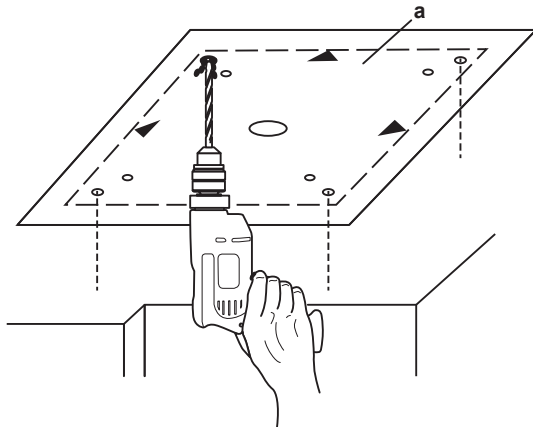
Utilice siempre las purgas de aire superiores.



5.3 Montaje de la unidad

5.3.1 Instalación de los pernos de suspensión

Utilice la plantilla para calcular las posiciones de los pernos de suspensión (parte superior del embalaje). Las posiciones de los pernos de suspensión se indican en la plantilla de papel. Se pueden perforar orificios colocando la plantilla de papel en el techo.

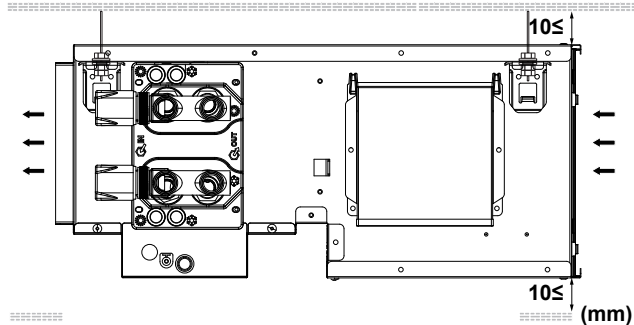


a Modelo de papel para la instalación. (parte superior del embalaje)

5.3.2 Cómo montar la unidad

Realice la abertura en el techo necesaria para la instalación allí donde sea aplicable. Puede que sea necesario reforzar la estructura del techo suspendida para mantener el nivel del techo y evitar vibraciones.

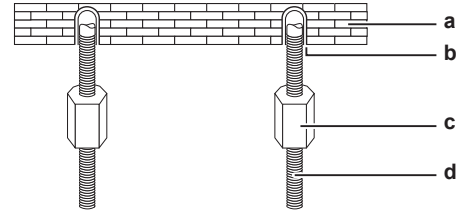
Para obtener información detallada, consulte al constructor.



▪ **Resistencia del techo.** Compruebe que el techo sea lo suficientemente resistente para soportar el peso de la unidad. En caso de que exista algún riesgo, refuerce el techo antes de instalar la unidad.

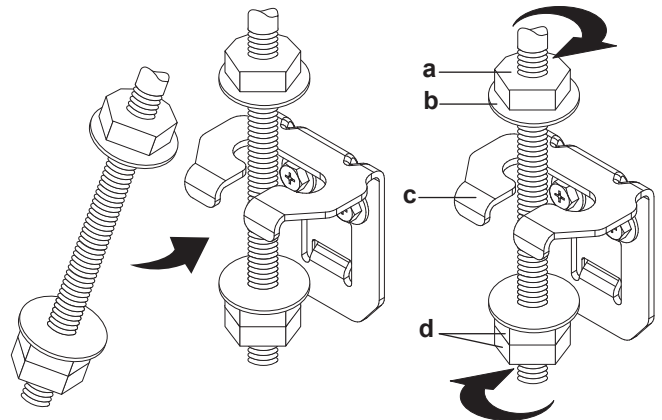
▪ Para techos ya existentes, utilice anclajes.

▪ Para techos nuevos, utilice insertos empotrados, anclajes empotrados u otras piezas de suministro independiente.



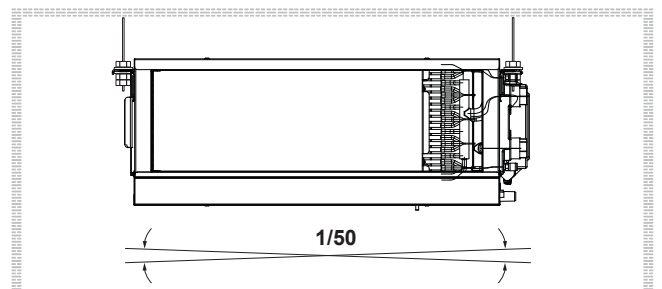
a Bloque del techo
b Anclaje
c Tuerca larga o hebilla de giro
d Perno de suspensión

▪ **Pernos de suspensión.** Utilice pernos de suspensión M8~M10 para la instalación. Fije el soporte de suspensión al perno de suspensión. Fíjelo de forma segura utilizando una tuerca y una arandela desde los extremos superior e inferior del soporte de suspensión.



a Tuerca (suministro independiente)
b Arandela (suministro independiente)
c Soporte de suspensión
d Tuerca doble (suministro independiente)

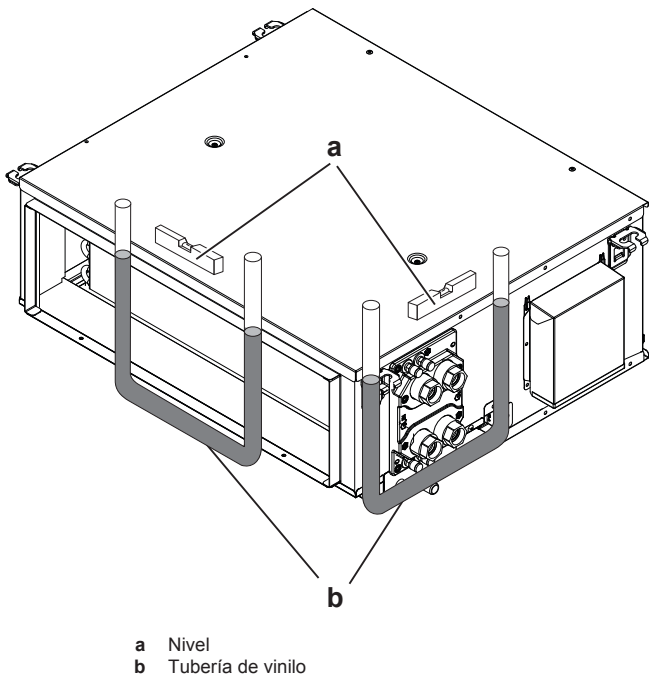
▪ Ajuste la unidad en la posición correcta para la instalación.



▪ Compruebe si la unidad está nivelada horizontalmente.

▪ **Nivelación.** Asegúrese de que la unidad esté nivelada en las 4 esquinas, por medio de un nivel de agua o de una tubería de vinilo llena de agua.

5 Instalación de la unidad



AVISO

NO instale la unidad con ninguna inclinación. **Posible consecuencia:** Si la unidad se inclina contra la dirección del flujo de condensación (es decir, si se levanta del lado de la tubería de drenaje), el agua podría gotear.

5.4 Instalación de la tubería de agua

5.4.1 Preparación de las tuberías de agua

Antes de instalar las tuberías de agua, verifique los puntos siguientes:

- La presión máxima del agua es de 1,6 MPa.
- La unidad está equipada con una entrada y una salida de agua que se conectan al circuito de agua. El circuito de agua debe instalarlo un instalador autorizado y debe cumplir las normativas vigentes aplicables.
- La temperatura máxima del agua es 5°C.
- La temperatura máxima del agua es 90°C.
- Asegúrese de que los componentes instalados en la tubería de obra puedan soportar la presión y la temperatura del agua.
- Proporcione protecciones adecuadas en el circuito de agua para garantizar que la presión de agua no exceda nunca la presión máxima de funcionamiento autorizada.
- Asegúrese de proporcionar un drenaje correcto en la válvula de alivio de presión (si está instalada), para evitar que el agua entre en contacto con los componentes eléctricos.
- La unidad debe disponer de válvulas de cierre para que puedan realizarse las tareas de mantenimiento normales sin tener que vaciar el sistema.
- Se deben proporcionar válvulas de drenaje en todos los puntos bajos del sistema para permitir un drenaje completo del circuito durante las tareas de mantenimiento.
- Disponga válvulas de purga de aire en los puntos más altos del sistema. Las válvulas deben colocarse en puntos a los que se pueda acceder fácilmente para el mantenimiento.
- Proteja las tuberías frente a daños físicos.

AVISO

Asegúrese de que la calidad del agua cumpla con la Directiva Europea 2020/2184.

AVISO

Se permite el uso de glicol, pero la cantidad NO deben exceder el 40% del volumen. Una cantidad mayor de glicol puede dañar los componentes hidráulicos.

5.4.2 Conexión de las tuberías de agua

PRECAUCIÓN

Utilice siempre válvulas para controlar la circulación del agua en la unidad. Si la unidad fan coil está desactivada, pero el agua sigue circulando en la unidad, se formará condensación y el agua puede gotear.

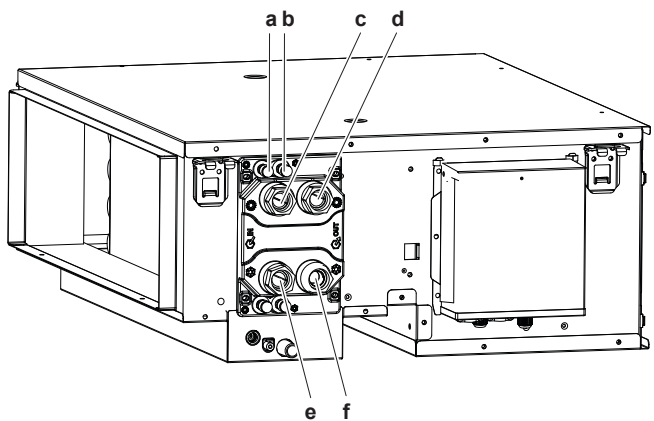
AVISO

No ejerza fuerza excesiva cuando conecte la tuberías. La tuberías de la unidad podrían deformarse. La deformación de los tubos puede causar que la unidad no funcione adecuadamente.

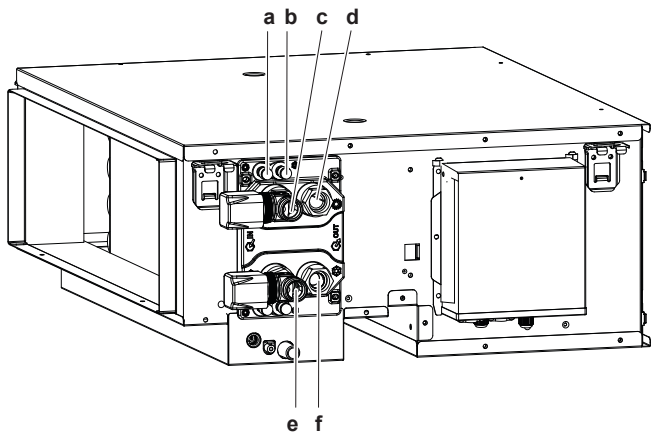
AVISO

Asegúrese de aislar todas las tuberías. En cualquier tubería que quede expuesta se puede producir condensación.

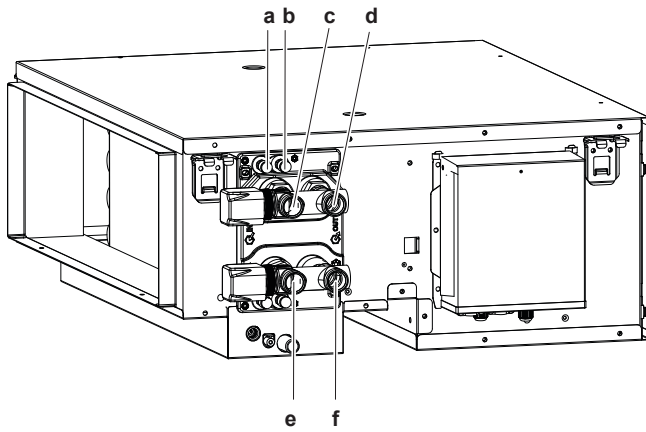
PELIGRO: RIESGO DE QUEMADURAS/ ABRASAMIENTO



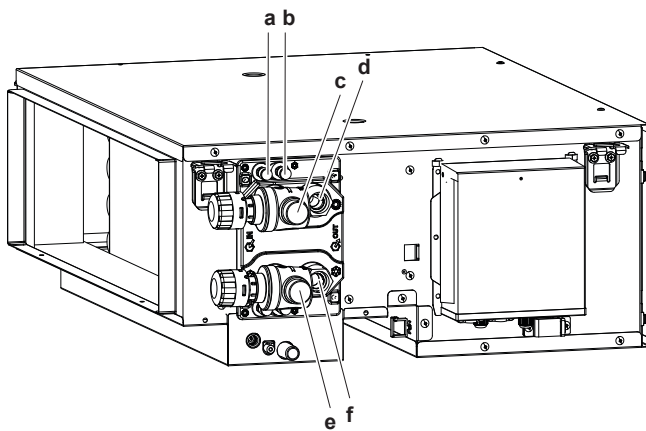
- a Purga de aire en calefacción
- b Purga de aire en refrigeración
- c Entrada de agua caliente (3/4" hembra BSP)
- d Salida de agua caliente (3/4" hembra BSP)
- e Entrada de refrigeración (3/4" hembra BSP)
- f Salida de refrigeración (3/4" hembra BSP)



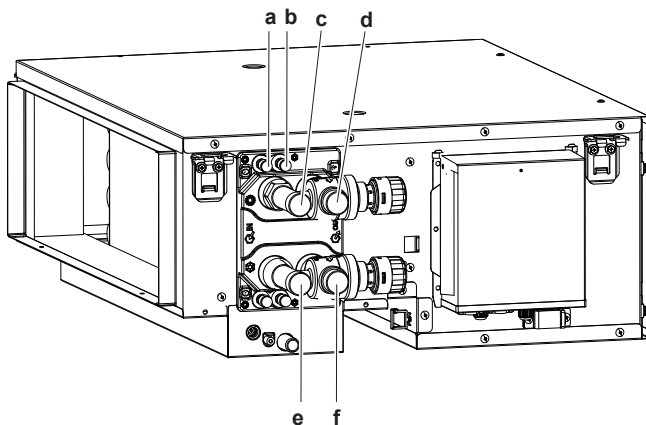
- a Purga de aire en calefacción
- b Purga de aire en refrigeración
- c Entrada de agua caliente (DN 3/4")
- d Salida de agua caliente (3/4" hembra BSP)
- e Entrada de refrigeración (DN 3/4")
- f Salida de refrigeración (3/4" hembra BSP)



- a Purga de aire en refrigeración
- b Purga de aire en calefacción
- c Entrada de agua caliente (DN 3/4")
- d Salida de agua caliente (DN 3/4")
- e Entrada de agua fría (DN 3/4")
- f Salida de agua fría (DN 3/4")

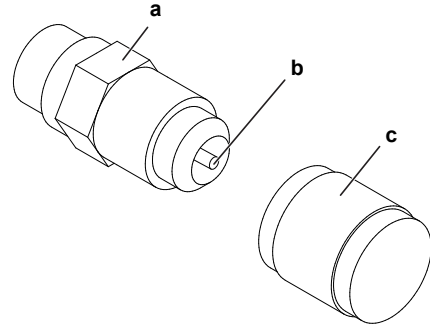


- a Purga de aire en calefacción
- b Purga de aire en refrigeración
- c Entrada de agua caliente (DN 3/4")
- d Salida de agua caliente (3/4" hembra BSP)
- e Entrada de refrigeración (DN 3/4")
- f Salida de refrigeración (3/4" hembra BSP)



- a Purga de aire en calefacción
- b Purga de aire en refrigeración
- c Entrada de agua caliente (DN 3/4")
- d Salida de agua caliente (DN 3/4")
- e Entrada de agua fría (DN 3/4")
- f Salida de agua fría (DN 3/4")

Cómo llenar el circuito de agua



- a Purga de aire
- b Válvula de alivio de presión
- c Tapa

Durante el llenado podría no ser posible eliminar todo el aire del sistema. El aire residual se eliminará durante las primeras horas de funcionamiento de la unidad. Este aire se eliminará de la unidad a través de la válvula manual de purga de aire.

- 1 Abra la tapa.
- 2 Presione la válvula de alivio de presión para purgar el aire del circuito(s) de agua de la unidad.
- 3 Cierre la tapa.
- 4 Es posible que sea necesario rellenar agua posteriormente (pero nunca a través de la válvula de purga de aire).



AVISO

El aire dentro del circuito de agua puede causar fallos de funcionamiento. Durante el llenado podría no ser posible eliminar todo el aire del circuito. El aire residual se eliminará a través de las válvulas de purga automática de aire durante las primeras horas de funcionamiento del sistema. Es posible que sea necesario rellenar agua posteriormente.



AVISO

Asegúrese de que la calidad del agua cumpla con la Directiva Europea 2020/2184.

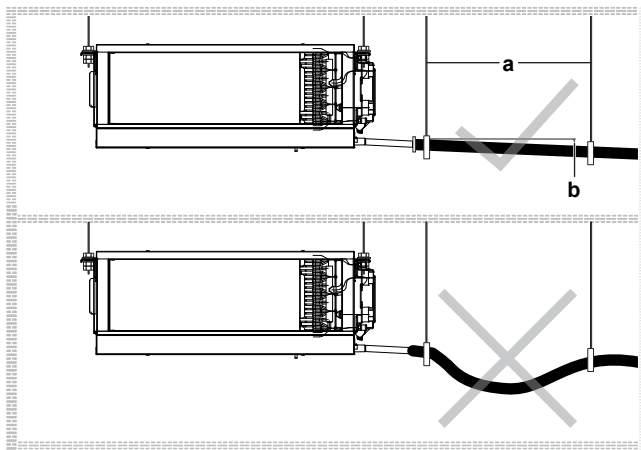
5.5 Instalación de la tubería de drenaje

5.5.1 Pautas al instalar la tubería de drenaje

Pautas generales

- **Longitud de la tubería.** Mantenga la tubería de drenaje lo más corta posible.
- **Tamaño de la tubería.** El tamaño de la tubería debe ser igual o mayor que el de la tubería de conexión (tubería de vinilo de 25 mm de diámetro nominal y 32 mm de diámetro exterior).
- **Condensación.** Tome medidas contra la condensación. Aísle toda la tubería de drenaje del edificio.
- **Pendiente.** Asegúrese de que las tuberías de drenaje estén en posición descendente (al menos 1/50) para evitar que quede aire atrapado en su interior. Utilice barras de refuerzo tal como se muestra.

5 Instalación de la unidad



- a Barra de refuerzo Permitida
- No permitido

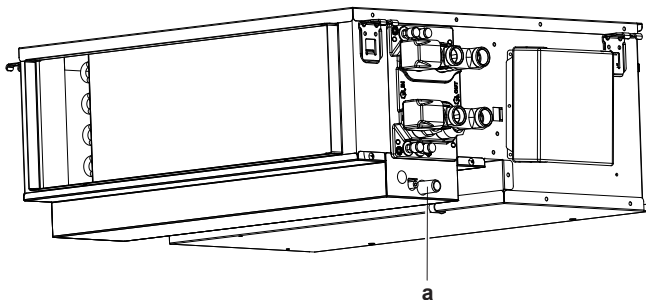
5.5.2 Conexión de la tubería de drenaje

Cómo conectar la tubería de drenaje

AVISO

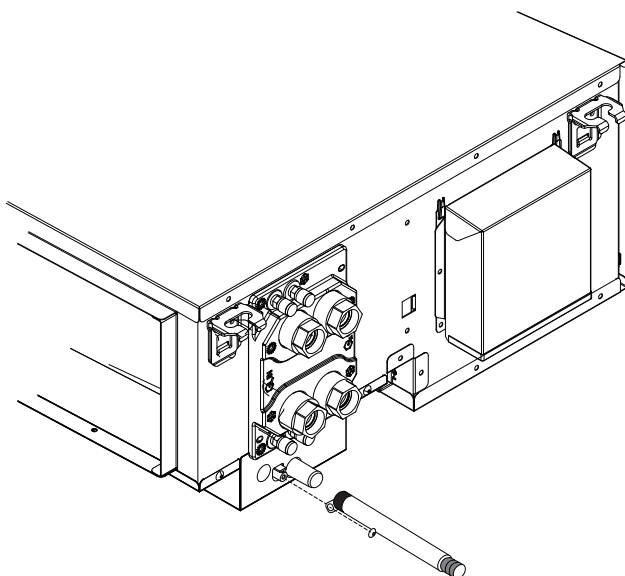
Una conexión incorrecta de la tubería de drenaje podría provocar fugas y daños en el espacio de instalación y alrededores.

- 1 Empuje la manguera de drenaje hasta el máximo posible por encima de la toma de drenaje.
- 2 Apriete el tornillo desde la manguera de drenaje hacia la superficie de la bandeja de drenaje.
- 3 Compruebe si hay fugas de agua.



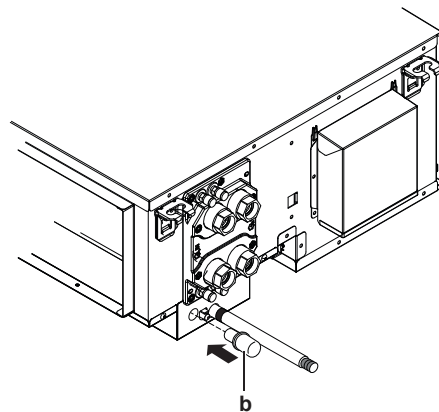
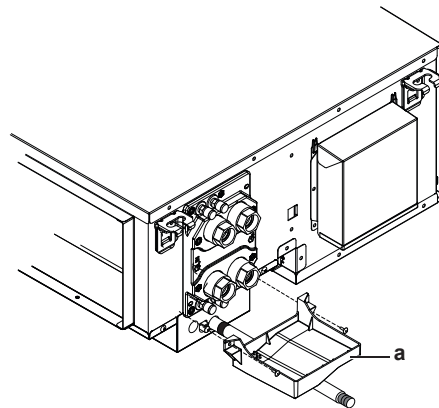
a Toma de drenaje

- 4 Inserte la manguera de drenaje y apriétela con el tornillo de fijación (conjunto de accesorios).



AVISO

La unidad debe utilizarse con una manguera de drenaje. (Olvidar apretar este tornillo puede provocar fugas de agua y vibraciones).

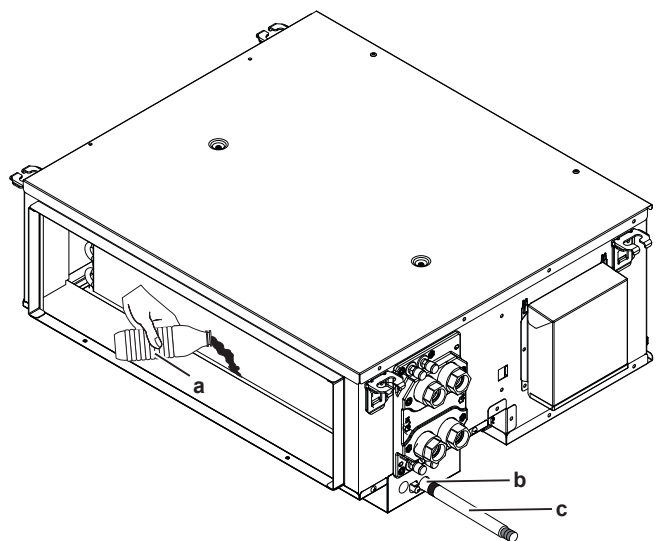


AVISO

Si no se utiliza la bandeja de subdrenaje (a), el orificio de la bandeja de subdrenaje debe cerrarse con una tapa (b).

Cuando el cableado eléctrico se haya terminado

- 1 Inicie la operación de refrigeración.
- 2 Vierta de forma gradual alrededor de 1 l de agua a través de la salida de descarga de aire y compruebe si hay fugas.



- a Regadera de plástico
- b Salida de drenaje (utilice esta salida para drenar el agua de la bandeja de drenaje)
- c Manguera de drenaje

5.6 Instalación de equipos opcionales

5.6.1 Preparación de los equipos opcionales



INFORMACIÓN

Equipamiento opcional. Cuando instale el equipamiento opcional, lea también el manual de instalación de este. Dependiendo de las condiciones de la obra, puede que sea más fácil instalar el equipamiento opcional primero.

Equipos opcionales	Código de identificación
Filtro G2	EKAF02G5A
	EKAF03G5A
Válvula de 2 vías ON/OFF (AC 230 V)	EK02WV2V3W5A
	EK04WV2V3C5A
	EK06WV2V3C5A
Válvula de 3 vías ON/OFF (AC 230 V)	EK02WV3V3W5A
	EK04WV3V3C5A
	EK06WV3V3C5A
Válvula proporcional (AC 24 V) Válvula de 3 vías – 4 puertos	EK02P3V24W5A
	EK04P3V24C5A
	EK06P3V24C5A
Controlador remoto	FWEC3A
Controlador remoto (para 2 tubos)	FWEC2T
Controlador remoto (para 4 tubos)	FWEC4T
Controlador remoto (panel de control)	FWEC3AP
Controlador remoto	FWEC3AC
Controlador remoto	FWTOUCHW
	FWTOUCHB
	FWTOUCHG
Kit de cable de válvula	EKER015A

5.6.2 Conexión de los equipos opcionales

Especificaciones técnicas de las válvulas

Valor Kvs	Presión de funcionamiento máx. PN (bar)	Suministro eléctrico del actuador
2,8	16	1 fase, 230 V, 50-60 Hz
4		
6		

6 Instalación eléctrica



PELIGRO: RIESGO DE ELECTROCUCIÓN



ADVERTENCIA

Utilice SIEMPRE un cable multifilar para los cables de alimentación.



ADVERTENCIA

Utilice un disyuntor de desconexión omnipolar con una separación de contacto de al menos 3 mm que proporcione una desconexión total en condiciones de sobretensión de categoría III.



ADVERTENCIA

Si el cable de suministro resulta dañado, DEBERÁ ser sustituido por el fabricante, su agente o técnico cualificado similar para evitar peligros.

6.1 Preparación del cableado eléctrico



ADVERTENCIA

Todo el cableado de campo y los componentes DEBEN instalarlos un electricista autorizado y DEBEN cumplirse las normativas vigentes aplicables.



PELIGRO: RIESGO DE ELECTROCUCIÓN



ADVERTENCIA

En el cableado fijo DEBE incorporarse, según la reglamentación pertinente, un interruptor principal u otro medio de desconexión que tenga una separación constante en todos los polos.



PRECAUCIÓN

- Al conectar la alimentación: la conexión a tierra debe haberse realizado antes de realizar las conexiones de los conductores con corriente.
- Al desconectar la alimentación: las conexiones con corriente deben separarse antes que la conexión a tierra.
- La longitud de los conductores entre el elemento de alivio de tensión de la fuente de alimentación y el propio bloque de terminales DEBE ser tal que los cables portadores de corriente estén tensados antes de estarlo el cable de tierra, en caso de que se tire de la fuente de alimentación de alivio de tensión.



ADVERTENCIA

- Después de terminar los trabajos eléctricos, confirme que cada componente eléctrico y cada terminal dentro de la caja de conexiones está conectado fijamente.
- Asegúrese de que todas las tapas estén cerradas antes de poner en marcha la unidad.



ADVERTENCIA

NO aplicar cargas de capacitancia o inductancia permanentes al circuito sin asegurarse de que al hacerlo NO se superará el voltaje admisible y la corriente permitida para el equipo en uso.



AVISO

Los equipos descritos en este manual pueden causar ruidos electrónicos generados por energía de radiofrecuencia. Dichos equipos cumplen las especificaciones concebidas para proporcionar una protección razonable frente a dichas interferencias. Sin embargo, no se garantiza que no vayan a aparecer interferencias en casos de instalaciones concretas.

Por tanto, recomendamos instalar el equipo y los cables eléctricos a una cierta distancia de equipos estéreo, ordenadores personales, etc.

6 Instalación eléctrica



PELIGRO: RIESGO DE ELECTROCUCIÓN

- CORTE todo el suministro eléctrico antes de retirar la cubierta del terminal de la unidad fan coil cuando conecte el cableado eléctrico o toque los componentes eléctricos.
- Desconecte el suministro eléctrico durante más de 10 minutos y mida la tensión en los terminales de los condensadores del circuito principal o en los componentes eléctricos antes de realizar las tareas de mantenimiento. La tensión DEBE ser inferior a 50 V de CC antes de que pueda tocar los componentes eléctricos. Para conocer la ubicación de los terminales, consulte el diagrama de cableado.
- NO toque los componentes eléctricos con las manos húmedas.
- NO deje la unidad desprovista de vigilancia sin la cubierta del terminal colocada.



ADVERTENCIA

- Utilice SOLO cables de cobre.
- Asegúrese de que el cableado de obra cumple con la normativa vigente.
- El cableado de obra DEBE realizarse de acuerdo con el diagrama de cableado que se suministra con el producto.
- NUNCA apriete ni presione los mazos de cables y cerciúrese de que NO entren en contacto con las tuberías ni con bordes cortantes. Asegúrese de que no se aplica presión externa a las conexiones de los terminales.
- Asegúrese de instalar cableado de conexión a tierra. NO conecte la unidad a una tubería de uso general, a un captador de sobretensiones o a líneas de tierra de teléfonos. Si la conexión a tierra no se ha realizado correctamente, pueden producirse descargas eléctricas.
- Asegúrese de que instala los fusibles o interruptores automáticos necesarios.
- Asegúrese de instalar un disyuntor de fugas a tierra correctamente. Si no obedece estas indicaciones podría sufrir una electrocución o se podría producir un incendio.

6-1 Especificaciones del cableado en obra

	2 tubos									
	04	05	06	08	10	12	14	16	20	24
Corriente máxima de funcionamiento (A)	0,27	0,27	0,38	0,44	0,48	0,53	0,81	0,88	0,88	1,06
Corriente máxima de funcionamiento (A) con válvulasFN	0,34	0,34	0,45	0,51	0,55	0,60	0,88	0,95	0,95	1,13
Fusible de sobreintensidad recomendado (A)	5									
Fase	1									
Frecuencia (Hz)	50									
Tensión (V)	220~240									
Tolerancia de tensión (%)	±10									
Tamaño del cable (sección transversal mm ²)	0,75~1,25									
Disyuntor de fugas a tierra	Debe cumplir con la normativa vigente									

6-2 Especificaciones del cableado en obra

	4 tubos									
	04	05	06	08	10	12	14	16	20	24
Corriente máxima de funcionamiento (A)	0,26	0,26	0,37	0,43	0,50	0,56	0,79	0,87	0,83	1,04
Corriente máxima de funcionamiento (A) con válvulasFN	0,33	0,33	0,44	0,50	0,57	0,63	0,86	0,94	0,90	1,11
Fusible de sobreintensidad recomendado (A)	5									
Fase	1									
Frecuencia (Hz)	50									
Tensión (V)	220~240									
Tolerancia de tensión (%)	±10									
Tamaño del cable (sección transversal mm ²)	0,75~1,25									
Disyuntor de fugas a tierra	Debe cumplir con la normativa vigente									

6.2 Conexión del cableado eléctrico



PELIGRO: RIESGO DE ELECTROCUCIÓN



ADVERTENCIA

Utilice SIEMPRE un cable multifilar para los cables de alimentación.



ADVERTENCIA

Utilice un disyuntor de desconexión omnipolar con una separación de contacto de al menos 3 mm que proporcione una desconexión total en condiciones de sobretensión de categoría III.



ADVERTENCIA

Si el cable de suministro resulta dañado, DEBERÁ ser sustituido por el fabricante, su agente o técnico cualificado similar para evitar peligros.

**AVISO**

Precauciones para el cableado de la alimentación:



- NO conecte cables de diferentes grosores al bloque de terminales de alimentación (la flacidez del cableado de alimentación puede provocar un calor anormal).
- Al conectar cables del mismo grosor, siga las instrucciones indicadas en la ilustración superior.
- Para realizar el cableado, utilice el cable de alimentación designado y conéctelo con firmeza y, posteriormente, fíjelo para evitar que la placa de la terminal quede sometida a presión externa.
- Utilice un destornillador adecuado para apretar los tornillos del terminal. Un destornillador de punta pequeña podría provocar daños e imposibilitar el apriete.
- Si aprieta en exceso los tornillos del terminal podrían romperse.

**AVISO**

- Siga el diagrama del cableado eléctrico (se adjunta con la unidad, está en el reverso de la tapa de servicio).
- Para obtener instrucciones sobre cómo conectar el equipo opcional, consulte el manual de instalación suministrado con el equipo opcional.
- Asegúrese de que el cableado eléctrico NO obstruya la correcta recolocación de la tapa de servicio.

Es importante mantener separados la alimentación y el cableado de transmisión. Para evitar interferencias eléctricas, la distancia entre los dos cableados debe ser SIEMPRE de 50 mm como mínimo.

**AVISO**

Asegúrese de mantener los cables de alimentación y de transmisión separados entre sí. El cableado de transmisión y el de alimentación pueden cruzarse, pero NO deben estar tendidos de forma paralela.

7**Puesta en marcha****AVISO**

NO interrumpa la prueba de funcionamiento.

7.1**Lista de comprobación antes de la puesta en servicio**

- 1 Tras haber instalado la unidad, debe comprobar los siguientes puntos que se enumeran a continuación.
- 2 Cierre a unidad.
- 3 Encienda la unidad.

<input type="checkbox"/>	Ha leído las instrucciones de instalación completas, que encontrará en la guía de referencia del instalador .
<input type="checkbox"/>	Las unidades interiores están correctamente montadas.
<input type="checkbox"/>	NO faltan fases ni hay fases invertidas .
<input type="checkbox"/>	El sistema está correctamente conectado a tierra y los terminales de toma de tierra están apretados.
<input type="checkbox"/>	Los fusibles o dispositivos de protección instalados localmente están instalados de acuerdo con este documento y no DEBEN derivarse.
<input type="checkbox"/>	La tensión de suministro eléctrico debe corresponderse con la tensión de la etiqueta de identificación de la unidad.
<input type="checkbox"/>	NO existen conexiones flojas ni componentes eléctricos dañados en la caja de conexiones.
<input type="checkbox"/>	NO existen componentes dañados ni tubos aplastados dentro de la unidad interior o exterior.
<input type="checkbox"/>	Se ha instalado el tamaño de tubo correcto y los tubos están correctamente aislados.

Para el usuario**8 Instrucciones de seguridad para el usuario**

Respete siempre las siguientes instrucciones y normativas de seguridad.

8.1 Instrucciones para un funcionamiento seguro**PRECAUCIÓN**

NO introduzca los dedos, varillas ni otros objetos en la entrada o la salida de aire. Si el ventilador gira a gran velocidad, puede provocar lesiones.

**PRECAUCIÓN: Tenga cuidado con el ventilador.**

Es peligroso inspeccionar la unidad con el ventilador en marcha.

Asegúrese de **DESCONECTAR** el interruptor principal antes de realizar cualquier tarea de mantenimiento.

**PRECAUCIÓN**

Después del uso continuado, compruebe el soporte de la unidad y sus montantes en busca de daños. Si están dañados, la unidad puede caer y provocar lesiones.

9 Acerca del sistema

PRECAUCIÓN

No es saludable que se exponga frente al flujo de aire durante un período prolongado de tiempo.

PRECAUCIÓN

NUNCA toque las partes internas del controlador.

PELIGRO: RIESGO DE ELECTROCUCIÓN

Antes de limpiar el aire acondicionado o el filtro de aire, asegúrese de detener el funcionamiento y **DESCONECTAR** el suministro eléctrico. De lo contrario, pueden producirse descargas eléctricas y lesiones.

ADVERTENCIA

Mantenga las aberturas para ventilación necesarias libres de obstrucciones.

ADVERTENCIA

Detenga la unidad y DESCONECTELA de la red eléctrica si ocurre algo inusual (olor a quemado, etc.).

Si no lo hace podría causar rotura de piezas, una electrocución o un incendio. Consulte a su distribuidor.

ADVERTENCIA

NUNCA toque la salida de aire ni las aspas horizontales mientras la aleta oscilante está en funcionamiento. Sus dedos pueden quedar atrapados o la unidad puede romperse.

ADVERTENCIA

NO coloque ni utilice aerosoles inflamables cerca del equipo de aire acondicionado y NO utilice aerosoles cerca de la unidad. Si lo hace, se podría producir un incendio.

ADVERTENCIA

Antes de utilizar la unidad, asegúrese que la instalación la ha realizado correctamente un instalador.

ADVERTENCIA

Para evitar daños mecánicos, el aparato debe almacenarse en una habitación bien ventilada en la que no haya fuentes de ignición funcionando continuamente (p. ej. llamas abiertas, un aparato a gas funcionando, o un calentador eléctrico en funcionamiento). El tamaño de la habitación debe ser el especificado en las Precauciones generales de seguridad.

9 Acerca del sistema

ADVERTENCIA

NO modifique, desmonte, retire, reinstale ni repare la unidad usted mismo, ya que un desmontaje o instalación incorrectos pueden ocasionar una electrocución o un incendio. Consulte a su distribuidor.

AVISO

NO utilice el sistema para otros propósitos. Para evitar pérdidas de calidad, NO utilice la unidad para refrigerar instrumentos de precisión, alimentos, plantas, animales u obras de arte.

AVISO

Para futuras modificaciones o ampliaciones de su sistema:

Hay disponible una descripción general completa (para futuras ampliaciones del sistema) en los datos técnicos que debe consultarse. Póngase en contacto con su instalador para recibir más información y consejo profesional.

10 Antes de la puesta en marcha

ADVERTENCIA

Esta unidad contiene componentes eléctricos y piezas calientes.

ADVERTENCIA

Antes de utilizar la unidad, asegúrese que la instalación la ha realizado correctamente un instalador.

PRECAUCIÓN

No exponga NUNCA a niños pequeños, plantas o animales directamente al flujo de aire.

Este manual de instrucciones es para los siguientes sistemas con control normal. Antes de ponerlos en funcionamiento, póngase en contacto con su distribuidor para consultar el funcionamiento de su tipo y marca de sistema. Si la instalación tiene un sistema de control personalizado, consulte a su distribuidor para obtener información sobre la operación de su equipo.

Modos de funcionamiento:

- Calefacción y refrigeración (aire-aire).
- Funcionamiento de solo ventilador (aire-aire).

Este manual de funcionamiento proporcionará un resumen no exhaustivo de las funciones principales del sistema.

Para obtener más información sobre la interfaz de usuario, consulte el manual de funcionamiento de la interfaz de usuario instalada.

11 Funcionamiento

11.1 Rango de funcionamiento

Las siguientes condiciones son los límites de funcionamiento estándar. Para condiciones distintas, consulte con su distribuidor.

Modo	Condición	Límite de temperatura de aire, (BS/BH)	Límite de temperatura de agua, (entrada/salida)	T delta del agua, ΔT
Refrigeración (°C)	Mín.	15/6 (HR%20)	5/8	3 a 10
	Máx.	33/26 (HR%58)	18/28	
Calefacción (°C)	Mín.	15/**	35/30	5 a 20
	Máx.	27/**	90/70	

12 Ahorro de energía y funcionamiento óptimo

Observe las precauciones que se detallan a continuación para garantizar un funcionamiento adecuado del sistema.

- Ajuste correctamente la salida de aire y evite la exposición directa al flujo de aire.
- Ajuste la temperatura ambiente para tener un entorno confortable. Evite la refrigeración o calefacción excesiva.
- Evite que la luz directa del sol entre en la habitación durante el funcionamiento de la refrigeración utilizando estores o cortinas.
- Ventile la habitación con frecuencia. Un uso prolongado requiere una atención especial de la ventilación de la habitación.
- Mantenga las ventanas y puertas cerradas. Si no lo hace, el aire saldrá de la habitación y disminuirá el efecto de refrigeración o calefacción.
- NO enfríe ni caliente demasiado la habitación. Para ahorrar energía, mantenga la temperatura a niveles moderados.
- NUNCA coloque objetos cerca de la entrada o salida del aire. Hacerlo podría reducir el efecto de calefacción/refrigeración o detener el funcionamiento de la unidad.
- Es posible que se forme condensación si la humedad es superior al 80% o si se bloquea la salida de drenaje.



AVISO

NO utilice el sistema para otros propósitos. Para evitar pérdidas de calidad, NO utilice la unidad para refrigerar instrumentos de precisión, alimentos, plantas, animales u obras de arte.



PRECAUCIÓN

NO utilice el sistema cuando utilice insecticida en una habitación. Las sustancias químicas depositadas en el interior de la unidad podrían poner en peligro la salud de las personas hipersensibles a dichas sustancias.

13 Mantenimiento y servicio técnico

13.1 Precauciones de seguridad durante el mantenimiento



PELIGRO: RIESGO DE QUEMADURAS/ABRASAMIENTO



PELIGRO: RIESGO DE ELECTROCUCIÓN



AVISO

Mantenga el filtro de aire limpio y compruebe el caudal de aire periódicamente.



ADVERTENCIA

- Antes de llevar a cabo cualquier tarea de mantenimiento o reparación, apague SIEMPRE el disyuntor de circuito en el panel de suministro.
- Asegúrese de NO tocar una parte conductora.
- NO lave el exterior de la unidad. Podría producirse una descarga eléctrica o un incendio.

Para limpiar el exterior de la unidad fancoil:

- 1 Desconecte el ventilador de la unidad fancoil.
- 2 Limpie el exterior de la unidad fancoil con un paño suave.



PRECAUCIÓN

- NO obstruya de ningún modo la salida ni la entrada de aire de la unidad.
- NO coloque ropa húmeda o mojada en la rejilla de salida de aire de la unidad.
- NO vierta líquidos dentro del equipo.

Absténgase de usar para la limpieza:

- todo tipo de disolventes químicos agresivos
- y agua caliente por encima de los 50°C.

Para el mantenimiento de la unidad fancoil, póngase en contacto con el instalador o la compañía de servicios.

13.2 Precauciones de mantenimiento y servicio



AVISO

NUNCA inspeccione ni realice tareas de mantenimiento en la unidad usted mismo. Pida a un técnico cualificado que lleve a cabo dichas tareas. Sin embargo, como usuario final, puede limpiar el filtro de aire, la rejilla de aspiración, la salida de aire y los paneles exteriores.



ADVERTENCIA

NUNCA sustituya un fusible por otro de amperaje incorrecto u otros cables cuando se funda. El uso de alambre o hilo de cobre puede hacer que se averíe la unidad o se produzca un incendio.



PRECAUCIÓN

Después del uso continuado, compruebe el soporte de la unidad y sus montantes en busca de daños. Si están dañados, la unidad puede caer y provocar lesiones.



AVISO

NO limpie el panel de funciones del control con bencina, disolvente u otros productos químicos. El panel podría descolorarse o perder la capa de protección. En caso de estar muy sucio, empape un trapo en detergente neutro diluido en agua, escúrralo bien y utilícelo para limpiar el panel. Séquelo con un trapo seco.



PRECAUCIÓN

Antes de acceder a los dispositivos del terminal, asegúrese de desconectar la alimentación eléctrica.

13 Mantenimiento y servicio técnico



AVISO

Cuando limpie el intercambiador de calor, asegúrese de retirar la caja de conexiones, el motor del ventilador, la bomba de drenaje y el interruptor de flotador. El agua y los detergentes pueden deteriorar el aislante de los componentes electrónicos y provocar que se quemen.



ADVERTENCIA

Tenga cuidado con las escaleras cuando trabaje en lugares altos.

13.3 Limpieza del filtro de aire, la rejilla de aspiración, la salida de aire y los paneles exteriores



PRECAUCIÓN

Apague la unidad antes de limpiar el filtro de aire, la rejilla de aspiración, la salida de aire y los paneles exteriores.



AVISO

- NO frote muy enérgicamente cuando lave la aleta con agua. **Posible consecuencia:** El revestimiento superficial se desprende.

Utilice un paño suave. Cuando tenga problemas para limpiar las manchas, utilice agua o un detergente neutro.

13.3.1 Cómo limpiar el filtro de aire

Cuándo limpiar el filtro de aire:

- Por norma general: Límpielo cada 6 meses. Si el aire de la habitación está muy contaminado, aumente la frecuencia de limpieza.
- Si es imposible limpiar la suciedad, cambie el filtro de aire (= equipo opcional).

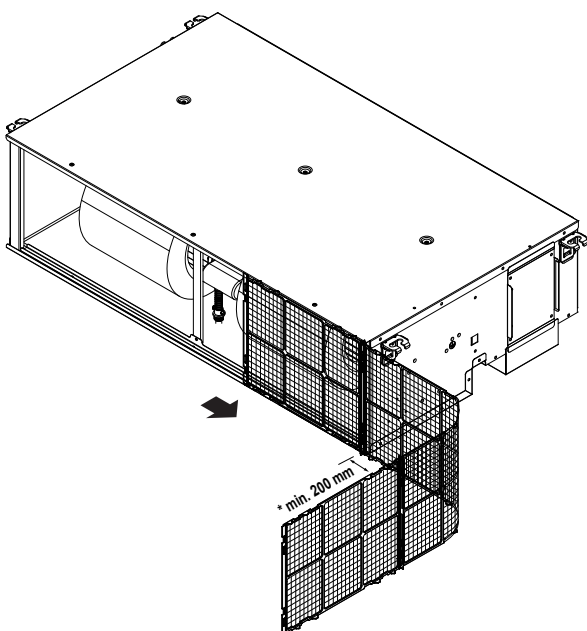
Cómo limpiar el filtro de aire:



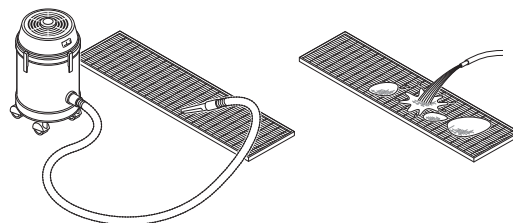
AVISO

NO utilice agua a 50°C o más. **Posible consecuencia:** Decoloración y deformación.

- Corte el suministro eléctrico. El filtro de aire se puede instalar en el lado derecho y en el lado izquierdo. Retire el filtro deslizándolo tal como se muestra a continuación.



- Limpie el filtro de aire. Utilice una aspiradora o lave con agua. Si el filtro de aire está muy sucio, use un cepillo suave y detergente neutro.



- Seque el filtro a la sombra.
- Vuelva a fijar el filtro de aire y cierre la rejilla de aspiración.

13.4 Mantenimiento después de un largo período sin utilizar la unidad

P.ej. al comienzo de la temporada.

- Retire cualquier objeto que pueda bloquear las válvulas de entrada y salida de las unidades interior y exterior.
- Limpie los filtros de aire y las carcasas de las unidades interiores (consulte "13.3.1 Cómo limpiar el filtro de aire" [p. 98] y Cómo limpiar la salida de aire y los paneles exteriores).

13.5 Mantenimiento antes de un largo período sin utilizar la unidad

P. ej. al final de la estación.

- Deje las unidades interiores en funcionamiento en el modo de solo ventilador durante aproximadamente medio día para que se sequen por dentro. Consulte Acerca del funcionamiento de refrigeración, calefacción, solo ventilador y automático para obtener información detallada sobre el modo de solo ventilador.
- Apague la unidad. La pantalla de la interfaz de usuario desaparece.
- Limpie los filtros de aire y las carcasas de las unidades interiores (consulte "13.3.1 Cómo limpiar el filtro de aire" [p. 98] y Cómo limpiar la salida de aire y los paneles exteriores).

13.6 Servicio postventa y garantía

13.6.1 Mantenimiento e inspección

Como el uso de la unidad durante años provoca la acumulación de polvo, se producirá un cierto deterioro de la unidad. Como el desmontaje y limpieza del interior de la unidad requiere poseer experiencia técnica, y con el fin de garantizar el mejor mantenimiento posible de las unidades, le recomendamos que establezca un contrato de mantenimiento e inspección de las actividades normales de mantenimiento. Nuestra red de distribuidores tiene acceso a un stock permanente de componentes principales con el fin de prolongar el funcionamiento de su unidad el máximo de tiempo posible. Póngase en contacto con su distribuidor para obtener más información.

Cada vez que se ponga en contacto con un distribuidor, comuníquelo siempre:

- El nombre completo del modelo de unidad.
- El número de fabricación (ubicado en la placa de identificación de la unidad).
- La fecha de instalación.
- Los síntomas o la avería, así como los detalles del defecto.



ADVERTENCIA

NO modifique, desmonte, retire, reinstale ni repare la unidad usted mismo, ya que un desmontaje o instalación incorrectos pueden ocasionar una electrocución o un incendio. Consulte a su distribuidor.

13.6.2 Ciclos de mantenimiento y sustitución acortados

Se deben acortar el "ciclo de mantenimiento" y el "ciclo de sustitución" en las siguientes situaciones:

La unidad se utiliza en lugares en los que:

- Hace más calor y hay más humedad de lo habitual.
- La fluctuación de energía es alta (tensión, frecuencia, distorsión de ondas, etc.) (La unidad no se puede utilizar si la fluctuación de energía está fuera del rango permitido).
- Se producen golpes y vibraciones frecuentes.
- Es posible que en el aire exista polvo, sal, gases nocivos o niebla aceitosa como ácido sulfuroso o sulfuro de hidrógeno.
- La máquina se pone en marcha y se detiene frecuentemente o el período de funcionamiento es largo (lugares con aire acondicionado durante las 24 horas del día).

Ciclo de sustitución de las piezas gastadas recomendado

Componente	Ciclo de inspección	Ciclo de mantenimiento (recambios y/o reparaciones)
Filtro de aire	1 años	5 años
Filtro de alto rendimiento		1 años
Fusible		10 años
Componentes bajo presión		En caso de corrosión, consulte al representante local.



INFORMACIÓN

Es posible que los daños producidos como consecuencia del desmontaje o la limpieza del interior de las unidades que no estén realizados por nuestros distribuidores autorizados no estén incluidos en la garantía.

14 Solución de problemas

Si se produce alguno de los fallos siguientes, tome las medidas que se detallan a continuación y póngase en contacto con su distribuidor.

El sistema DEBE ser reparado por un técnico de mantenimiento cualificado.

Fallo de funcionamiento	Medida
Si actúa con frecuencia un dispositivo de seguridad como un fusible, un disyuntor o un disyuntor de fugas a tierra, o el interruptor ENCENDIDO/APAGADO no funciona correctamente.	Desconecte el interruptor principal de alimentación.
Si hay una fuga de agua en la unidad.	Detenga el funcionamiento.
El interruptor de funcionamiento no funciona correctamente.	Apague la unidad.

Si el sistema NO funciona correctamente, excepto en el caso mencionado más arriba y no es evidente ninguno de los malos funcionamientos de más arriba, investigue el sistema de acuerdo con los procedimientos siguientes.

Fallo de funcionamiento	Medida
Si el sistema no funciona en absoluto.	<ul style="list-style-type: none"> • Compruebe que no haya un corte de suministro eléctrico. Espere a que se restablezca el suministro. • Compruebe que no se haya fundido ningún fusible o que el interruptor automático esté activado. Cambie el fusible o reinicie el interruptor automático si fuese necesario.
El sistema funciona, pero la refrigeración o calefacción es insuficiente.	<ul style="list-style-type: none"> • Compruebe que la entrada o salida de aire de la unidad exterior o interior no la esté bloqueando algún obstáculo. Retire cualquier obstáculo y asegúrese de que el aire puede fluir sin obstrucciones. • Compruebe que el filtro de aire no esté obstruido (consulte "13.3.1 Cómo limpiar el filtro de aire" [p.98]). • Compruebe el ajuste de la temperatura. • Compruebe el ajuste de la velocidad del ventilador en la interfaz de usuario. • Compruebe si hay puertas o ventanas abiertas. Cierre las puertas y ventanas para evitar que entre aire. • Compruebe si hay demasiadas personas en la habitación durante la operación de refrigeración. Compruebe si la fuente de calor de la habitación es excesiva. • Compruebe si está entrando en la habitación la luz solar directa. Utilice cortinas o persianas. • Compruebe si el ángulo del flujo de aire es el adecuado.

Si tras realizar todas las comprobaciones anteriores le resulta imposible determinar el problema, póngase en contacto con su distribuidor y expóngale los síntomas, el nombre del modelo completo de la unidad (junto con el número de fabricación si es posible) y la fecha de instalación.

14.1 Cómo solucionar los problemas de su unidad fan coil

La unidad fancoil no funciona

Si la unidad fancoil no funciona:

Compruebe:	Si la respuesta es afirmativa,
¿Se ha apagado la unidad fancoil, está en posición apagado ?	Conecte la unidad fancoil, en posición encendido .
¿Hay un fallo de la corriente eléctrica?	Recupere la toma de corriente eléctrica.
¿Se ha disparado el interruptor automático (fusible)?	Póngase en contacto con el instalador o la compañía de servicios.

La refrigeración o la calefacción de la unidad fancoil no funciona bien

Si la refrigeración o la calefacción de la unidad fancoil no funciona bien:

Compruebe:	Si la respuesta es afirmativa,
¿Hay algún obstáculo cerca de la entrada o la salida de aire?	Retire el obstáculo.
¿Está abierta alguna puerta o ventana?	Cierre puertas y ventanas.

15 Tratamiento de desechos

Compruebe:	Si la respuesta es afirmativa,
¿Está funcionando la unidad fancoil a velocidad baja ?	Seleccione velocidad medio o velocidad alta .
¿Están sucios los filtros de aire?	Póngase en contacto con el instalador o la compañía de servicios.

La unidad fancoil pierde agua

Apague la unidad y póngase en contacto con el instalador o la compañía de servicios.

Si la unidad fancoil no funciona correctamente, puede probar a resolver el problema con los métodos indicados en este capítulo.

Si el problema persiste o bien no está cubierto en este capítulo, póngase en contacto con el instalador o la compañía de servicio.

14.2 Reubicación

Póngase en contacto con su distribuidor para retirar e instalar la unidad completa. La mudanza de las unidades la debe llevar a cabo personal con experiencia.

15 Tratamiento de desechos

- Las unidades están marcadas con el siguiente símbolo:



Esto significa que los productos eléctricos y electrónicos NO deben mezclarse con el resto de residuos domésticos no clasificados. NO intente desmontar el sistema usted mismo: el desmantelamiento del sistema, así como el tratamiento del refrigerante, aceite y otros componentes, DEBE ser efectuado por un instalador autorizado con las normas vigentes.

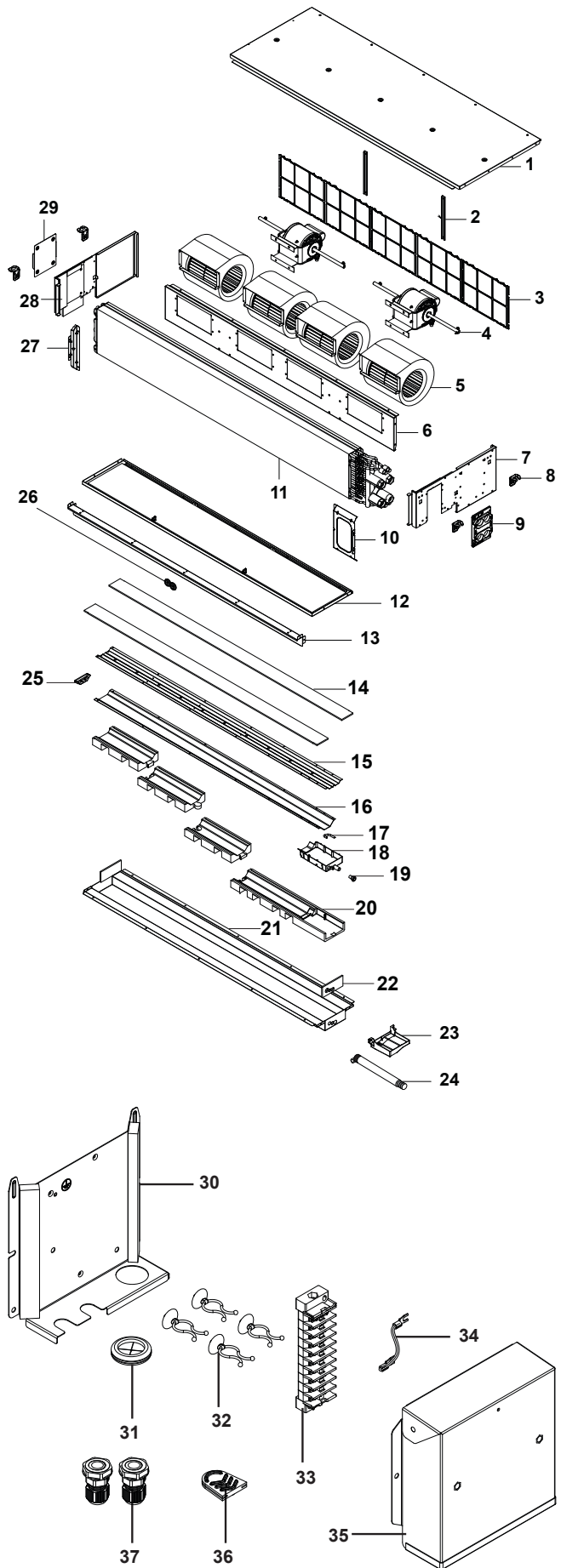
Las unidades DEBEN ser tratadas en instalaciones especializadas para su reutilización, reciclaje y recuperación. Al asegurarse de desechar este producto de la forma correcta, está contribuyendo a evitar posibles consecuencias negativas para el entorno y para la salud de las personas. Si desea más información, póngase en contacto con su instalador o con las autoridades locales.

AVISO

NO intente desmontar el sistema usted mismo: el desmantelamiento del sistema, así como el tratamiento del refrigerante, aceite y otros componentes, DEBE ser efectuado de acuerdo con las normas vigentes. Las unidades DEBEN ser tratadas en instalaciones especializadas para su reutilización, reciclaje y recuperación.

El instalador está obligado a verificar el correcto funcionamiento de la unidad después de la instalación. En caso de que vaya algo mal con la unidad y no funcione, póngase en contacto con su distribuidor.

Utilice una herramienta adecuada para extraer los tornillos. El producto se puede desmontar tal como se muestra a continuación.



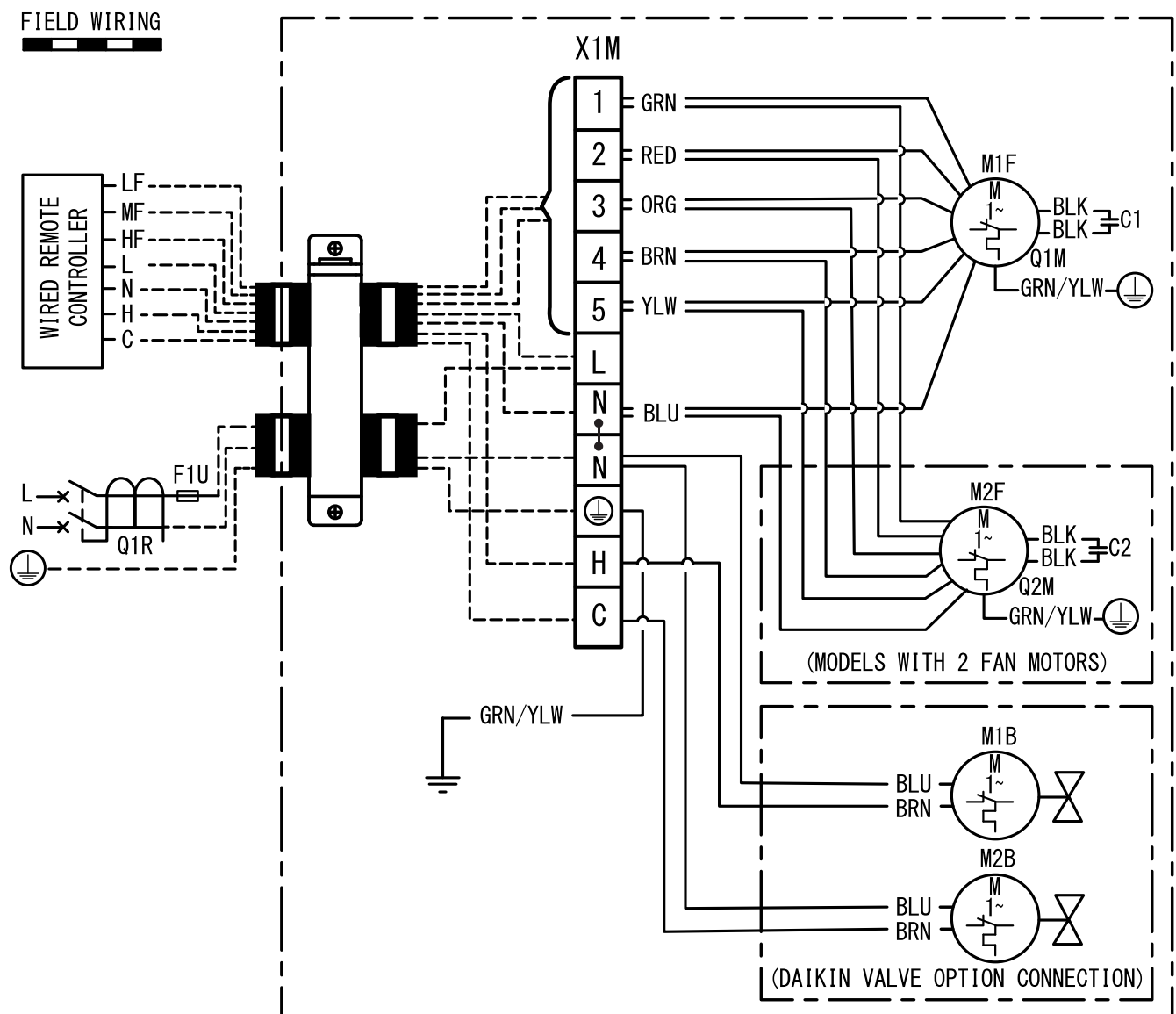
Materiales	Elemento
Componente eléctrico (motor del ventilador + condensador)	4
Aluminio (aleta) + cobre (tubo) + acero galvanizado (placa) + latón + espuma plástica	11
Plástico	9, 18, 23, 24, 32, 37
Espuma plástica	14, 22
Plástico + metal	33, 34

Materiales	Elemento
Plástico (estructura) + plástico (red)	3
Acero galvanizado	2, 5, 6, 8, 13, 15, 16, 21, 27
Acero galvanizado + espuma plástica	1, 7, 10, 12, 28, 29, 30, 35
Goma	19, 25, 26, 31, 36
EPP	20
Cobre	17

16 Datos técnicos

Hay disponible un **subconjunto** de los datos técnicos más recientes en el sitio web regional Daikin (accesible al público). Hay disponible un **conjunto completo** de los datos técnicos más recientes en el Daikin Business Portal (autenticación necesaria).

16.1 Diagrama de cableado


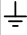


Leyenda para los diagramas de cableado:

C1 , C2	Condensador
F1U	Fusible adquirido localmente
M1F, M2F	Motor del ventilador
M1B	Actuador de calefacción

M2B	Actuador de refrigeración
Q1M , Q2M	Protector térmico
Q1R	Disyuntor de fugas a tierra
X1M	Regleta de terminales
L	Energizado



16 Datos técnicos

N	Neutro
1	Velocidad más baja
5	Velocidad más alta
H	Válvula de calefacción
C	Válvula de refrigeración
LF	Velocidad del ventilador baja
MF	Velocidad del ventilador media
HF	Velocidad del ventilador alta
	Protector de tierra
	Tierra

Colores:

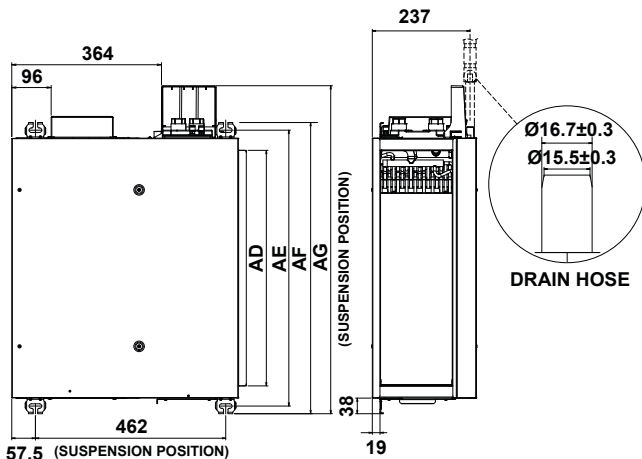
BLK	Negro
BLU	Azul
BRN	Marrón
GRN	Verde
ORG	Naranja
RED	Rojo
YLW	Amarillo

Notas:

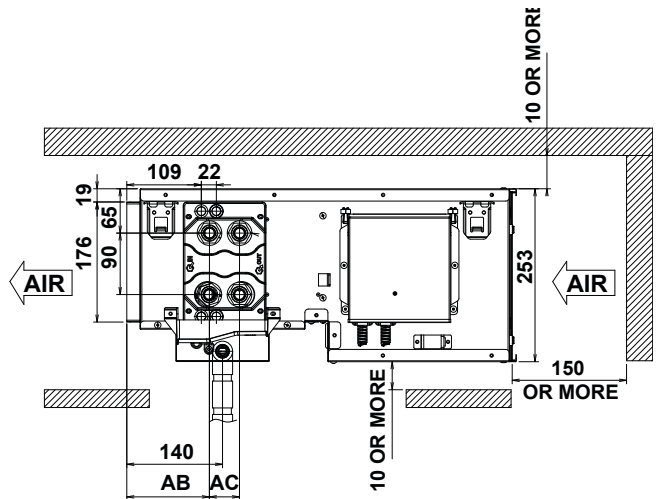
- : Bloque de terminales : Cableado en la obra.
- Consulte manual de instalación para conocer los requisitos de alimentación

16.2 Dimensiones

Descripción general



MODELO	AD	AE	AF	AG
FWE04&05 &06F	572	670	707	797
FWE08&10 &12F	877	975	1012	1102
FWE14&16 F	1187	1285	1322	1412
FWE20&24 F	1487	1585	1622	1712



MODELO	AB	AC
FWE04&05&06&08& 10&12F	118	50
FWE14&16&20&24F	121	44

Sommario

1	Informazioni sulla documentazione	104
1.1	Informazioni su questo documento	104
1.2	Significato delle avvertenze e dei simboli	105
1.3	Generali	105
2	Istruzioni di sicurezza specifiche per l'installatore	105
Per l'installatore		
3	Informazioni relative all'involucro	106
3.1	Disimballaggio e movimentazione del ventilconvettore	106
3.2	Rimozione degli accessori dal ventilconvettore	107
4	Informazioni sulle unità e sulle opzioni	107
4.1	Identificazione	107
4.1.1	Etichetta di identificazione: Unità ventilconvettore	107
5	Installazione dell'unità	107
5.1	Preparazione del luogo di installazione	107
5.2	Interscambiabilità	108
5.3	Montaggio dell'unità	108
5.3.1	Installazione dei bulloni di sospensione	108
5.3.2	Per montare l'unità	109
5.4	Installazione delle tubazioni dell'acqua	110
5.4.1	Preparazione delle tubazioni idrauliche	110
5.4.2	Collegamento delle tubazioni dell'acqua	110
5.5	Installazione delle tubazioni di drenaggio	111
5.5.1	Linee guida per l'installazione delle tubazioni di scarico	111
5.5.2	Collegamento delle tubazioni di scarico	112
5.6	Installazione delle apparecchiature opzionali	113
5.6.1	Preparazione delle apparecchiature opzionali	113
5.6.2	Collegamento delle apparecchiature opzionali	113
6	Installazione dei componenti elettrici	113
6.1	Preparazione del cablaggio elettrico	113
6.2	Collegamento del cablaggio elettrico	114
7	Messa in esercizio	115
7.1	Elenco di controllo prima della messa in esercizio	115
Per l'utente		
8	Istruzioni di sicurezza per l'utente	115
8.1	Istruzioni per un utilizzo sicuro	115
9	Informazioni sul sistema	116
10	Prima dell'uso	116
11	Funzionamento	117
11.1	Intervallo di funzionamento	117
12	Risparmio energetico e funzionamento ottimale	117
13	Manutenzione e assistenza	117
13.1	Precauzioni generali di sicurezza	117
13.2	Precauzioni per la manutenzione e l'assistenza	117
13.3	Pulizia del filtro dell'aria, della griglia di aspirazione, dell'uscita dell'aria e dei pannelli esterni	118
13.3.1	Pulizia del filtro dell'aria	118
13.4	Manutenzione dopo un lungo periodo di arresto	118
13.5	Manutenzione prima di un lungo periodo di arresto	118
13.6	Servizio di assistenza e garanzia post-vendita	118

13.6.1	Manutenzione e ispezione consigliate	118
13.6.2	Cicli di manutenzione e sostituzione ridotti	119

14	Risoluzione dei problemi	119
14.1	Risoluzione dei problemi al ventilconvettore	119
14.2	Riposizionamento	120
15	Smaltimento	120
16	Dati tecnici	121
16.1	Schema elettrico	121
16.2	Dimensioni	122
17	Requisiti di informazione per la progettazione ecocompatibile	123

1 Informazioni sulla documentazione

1.1 Informazioni su questo documento



AVVERTENZA

L'apparecchiatura può essere utilizzata da bambini a partire dagli 8 anni di età e da persone con capacità fisiche, sensoriali o mentali ridotte, ovvero senza la necessaria esperienza e le necessarie conoscenze, purché siano supervisionate da una persona responsabile della loro sicurezza, ricevano istruzioni riguardanti l'uso sicuro dell'apparecchio e comprendano i pericoli insiti nell'apparecchiatura.

I bambini NON DEVONO giocare con l'apparecchiatura.

La pulizia e la manutenzione NON devono essere effettuate dai bambini senza adeguata supervisione.

Destinatari

Installatori autorizzati + utenti finali



INFORMAZIONE

Questo apparecchio è destinato ad essere utilizzato in ambienti commerciali, industriali o aziendali.

Serie di documenti

Questo documento fa parte di una serie di documenti. La serie completa è composta da:

- **Precauzioni generali per la sicurezza:**
 - Istruzioni per la sicurezza da leggere prima dell'installazione
 - Formato: cartaceo (nella confezione dell'unità esterna)
- **Manuale d'installazione e d'uso dell'unità interna:**
 - Istruzioni di installazione e d'uso
 - Formato: cartaceo (nella confezione dell'unità esterna)
 - Formato: file digitali disponibili su <https://www.daikin.eu>. Utilizzare la funzione di ricerca 🔍 per trovare il proprio modello.

L'ultima revisione della documentazione fornita è pubblicata sul sito web regionale di Daikin ed è disponibile presso il proprio rivenditore.

Le istruzioni originali sono scritte in inglese. I manuali in tutte le altre lingue rappresentano traduzioni delle istruzioni originali.


Dati tecnici

- Un **sottoinsieme** dei dati tecnici più recenti è disponibile sul sito web regionale Daikin (accessibile al pubblico).
- L'**insieme completo** dei dati tecnici più recenti è disponibile in Daikin Business Portal (è richiesta l'autenticazione).

1.2 Significato delle avvertenze e dei simboli





	PERICOLO Indica una situazione che provoca lesioni fatali o gravi.
	PERICOLO: RISCHIO DI ELETTROCUZIONE Indica una situazione che può causare folgorazione.
	PERICOLO: RISCHIO DI USTIONI/SCOTTATURE Indica una situazione che può causare ustioni/bruciature a causa di temperature estremamente alte o estremamente basse.
	AVVERTENZA Indica una situazione che può causare decessi o lesioni gravi.
	ATTENZIONE Indica una situazione che può causare lesioni non gravi o moderate.
	AVVISO Indica una situazione che può causare danni ad apparecchiature o proprietà.
	INFORMAZIONE Indica suggerimenti utili o informazioni aggiuntive.


Simboli utilizzati sull'unità:

Simbolo	Spiegazione
	Prima dell'installazione, leggere il manuale di installazione e d'uso e il foglio illustrativo del cablaggio.


1.3 Generali


In caso di DUBBI su come installare o usare l'unità, contattare il proprio rivenditore.


	AVVERTENZA L'incorretta installazione o connessione del dispositivo o degli accessori può causare scosse elettriche, cortocircuiti, perdite, incendi o altri danni all'apparecchiatura. Utilizzare SOLO accessori, dispositivi opzionali e ricambi prodotti o approvati da Daikin se non specificato diversamente.
	AVVERTENZA Accertarsi che l'installazione, le prove e i materiali applicati siano conformi con la legislazione pertinente (oltre alle istruzioni riportate nella documentazione Daikin).
	ATTENZIONE Indossare attrezzatura protettiva personale adeguata (guanti protettivi, occhiali di sicurezza e così via) durante l'installazione, la manutenzione o la riparazione del sistema.
	AVVERTENZA Lacerare e gettare via i sacchetti degli imballaggi di plastica, in modo che nessuno, IN PARTICOLARE i bambini, li possa utilizzare per giocare. Conseguenza possibile: soffocamento.


	AVVERTENZA Prendere misure adeguate affinché l'unità non sia utilizzata come rifugio da parte di piccoli animali. Piccoli animali che entrino in contatto con parti elettriche possono causare malfunzionamenti, fumo o incendi.
---	--


	ATTENZIONE NON toccare la presa d'aria o le alette di alluminio dell'unità.
---	---


	ATTENZIONE <ul style="list-style-type: none"> NON appoggiare oggetti o attrezzature sull'unità. NON sedersi, arrampicarsi o stare in piedi sull'unità.
---	---

	PERICOLO: RISCHIO DI ELETTROCUZIONE <ul style="list-style-type: none"> Assicurarsi che il sistema sia messo a terra correttamente. DISATTIVARE l'alimentazione prima di effettuare le operazioni di manutenzione. Installare il coperchio del quadro elettrico e prima di ATTIVARE l'alimentazione.
---	---

	ATTENZIONE <ul style="list-style-type: none"> Controllare che il luogo di installazione possa sostenere il peso dell'unità. Un'installazione scadente è pericolosa. Può causare anche vibrazioni o rumore insolito durante il funzionamento. Fornire spazio di servizio sufficiente. NON installare l'unità a contatto con il soffitto o con una parete, n quanto ciò potrebbe causare vibrazioni.
---	--


	PERICOLO: RISCHIO DI ELETTROCUZIONE NON utilizzare i ventilconvettori con le mani bagnate. Potrebbero verificarsi scosse elettriche.
---	--


	AVVERTENZA L'unità contiene componenti elettrici e caldi.
---	---

	AVVERTENZA Se il cavo di alimentazione è danneggiato, DEVE essere sostituito dal costruttore, dal suo rappresentante o da persone in possesso di una qualifica simile, per evitare ogni rischio.
---	--

2 Istruzioni di sicurezza specifiche per l'installatore

Rispettare sempre le seguenti istruzioni e norme di sicurezza.

	AVVERTENZA Assicurarsi che l'installazione, la manutenzione e la riparazione siano eseguite in conformità alle istruzioni di Daikin e alle legge vigente (ad esempio la normativa nazionale sul gas) e che siano svolte ESCLUSIVAMENTE da personale autorizzato.
---	--

	AVVERTENZA L'installazione va eseguita da un installatore, la scelta dei materiali e l'installazione devono rispettare la legislazione applicabile. In Europa, la normativa applicabile è la EN378.
---	---

3 Informazioni relative all'involucro



AVVERTENZA

Tenere il cablaggio di interconnessione lontano dai tubi di rame senza isolamento termico in quanto tali tubi si surriscaldano.



ATTENZIONE

Per le pareti contenenti un telaio metallico o una tavola metallica, usare un tubo incassato nella parete e una copertura per il foro passante al fine di impedire il rischio di surriscaldamento, scosse elettriche o incendi.



AVVISO

- Le tubature devono essere montate saldamente e protette dai danni fisici.
- Mantenere al minimo l'installazione delle tubature.



AVVERTENZA

- NON usare componenti elettrici acquistati localmente all'interno del prodotto.
- NON prelevare l'alimentazione elettrica per la valvola ecc. dalla morsettiera. Ciò potrebbe provocare scosse elettriche o incendi.

Per l'installatore

3 Informazioni relative all'involucro

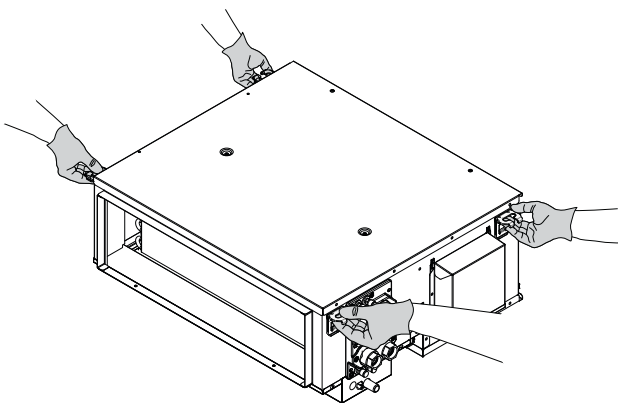
Tenere presente quanto segue:

- Alla consegna, l'unità DEVE essere controllata per verificare l'eventuale presenza di danni e la completezza. Eventuali danni o parti mancanti DEVONO essere segnalati immediatamente all'agente addetto ai reclami del trasportatore.
- Per evitare danni durante il trasporto, portare l'unità ancora imballata il più vicino possibile al luogo d'installazione definitivo.
- Preparare anticipatamente il percorso lungo il quale si intende trasportare l'unità nella posizione di installazione finale.

3.1 Disimballaggio e movimentazione del ventilconvettore

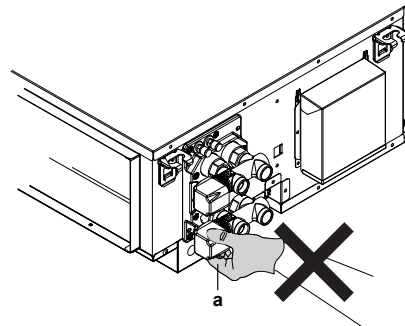
Sollevare l'unità utilizzando un'imbracatura di materiale morbido o piastre di protezione insieme a una corda. Serve a evitare danni o graffi all'unità.

- Sollevare l'unità agganciandola alle apposite staffe, senza esercitare alcuna pressione su altre parti, in particolare sulle tubazioni di scarico e sull'isolamento termico.



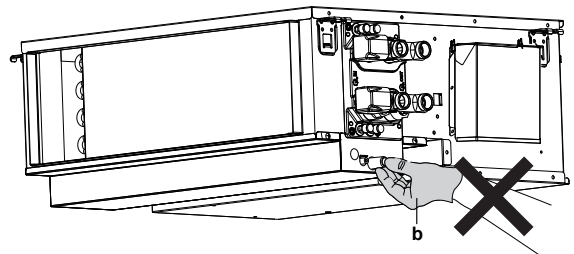
AVVISO

NON sollevare l'unità dagli attuatori delle valvole (a).



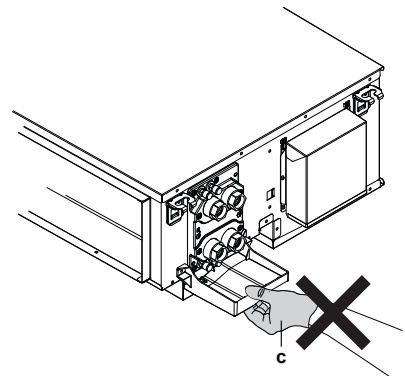
AVVISO

NON sollevare l'unità dalla presa della vaschetta di drenaggio (b).

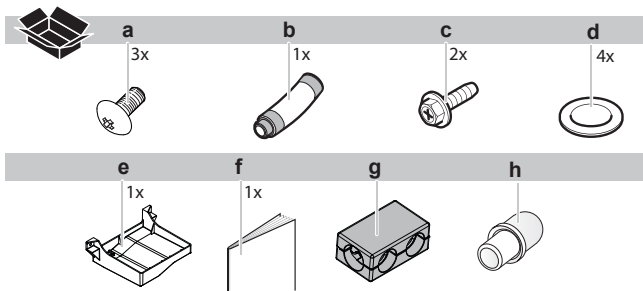


AVVISO

NON sollevare l'unità dalla vaschetta di drenaggio secondaria (c).



3.2 Rimozione degli accessori dal ventilconvettore



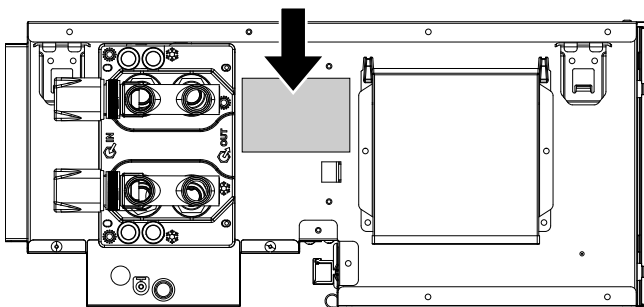
- a 2 viti M4 per vaschetta di drenaggio secondaria e 1 per tubo flessibile di drenaggio
- b Tubo flessibile di drenaggio
- c 2 viti M5 per FWECSAP
- d Guarnizione
- e Vaschetta di drenaggio secondaria
- f Manuale di installazione e d'uso
- g Isolamento termico per le valvole (1 per 2 tubi e 2 per 4 tubi) (*)
- h Tappo svasato
- * Solo modelli con valvola montata in fabbrica

4 Informazioni sulle unità e sulle opzioni

4.1 Identificazione

4.1.1 Etichetta di identificazione: Unità ventilconvettore

Ubicazione



Identificazione del modello

Esempio: FW E 04 F A T N 5 V3 --

Codice	Descrizione
FW	Ventilconvettore ad acqua
E	Condotto ESP bassa
F	Serie primaria del modello
A	Modifica secondaria al modello
T	2 tubi
F	4 tubi
N	Senza valvola
V	Valvola a 3 vie (ON/OFF - 230 V)
T	Valvola a 2 vie (ON/OFF - 230 V)
5	Fabbrica Hendek
V1	1 fase / 50 Hz / 220-240 V
-	Nessuna opzione
-	Collegamento idraulico sul lato sinistro, collegamento elettrico sul lato sinistro
R	Collegamento idraulico sul lato destro, collegamento elettrico sul lato destro

5 Installazione dell'unità

5.1 Preparazione del luogo di installazione



AVVERTENZA

Utilizzare SEMPRE condotti, isolamenti termici e raccordi non infiammabili; i materiali infiammabili possono causare incendi.



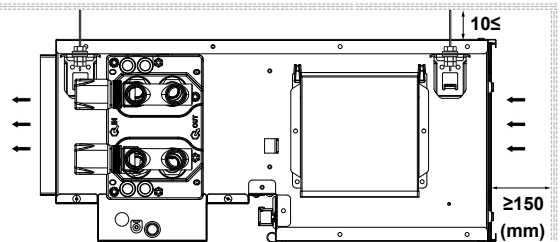
AVVISO

L'unità deve essere installata ad almeno 2,5 metri dal pavimento.



AVVISO

Lo spazio tra il soffitto e l'unità deve essere ≥ 10 mm e lo spazio di aspirazione deve essere ≥ 150 mm.



INFORMAZIONE

Il livello di pressione sonora è inferiore a 70 dBA.



ATTENZIONE

Apparecchio NON accessibile al pubblico generico. Montarlo in un'area protetta dal facile accesso.

Quest'unità è adatta all'installazione in ambienti commerciali e dell'industria leggera.



AVVISO

Qualora l'installazione dalla parte inferiore NON sia possibile, come ad esempio nel caso di soffitti molto alti, l'accesso all'unità per l'installazione e la manutenzione deve essere possibile dalla parte superiore del soffitto.

Scegliere una sede di installazione approvata dal cliente e che soddisfi le condizioni indicate di seguito.

- Lo spazio attorno all'unità deve essere adeguato per la manutenzione e l'assistenza. Lo spazio attorno all'unità deve consentire una circolazione e una distribuzione sufficiente dell'aria. Vedere la sezione Spazio richiesto per l'installazione.
- Assicurarsi che l'area sia ben ventilata. NON ostruire nessuna apertura di ventilazione.
- Assicurarsi che il sito di installazione possa sopportare il peso e le vibrazioni dell'unità.
- In caso di perdite di acqua, assicurarsi che l'acqua non possa danneggiare l'installazione e lo spazio circostante.
- Scegliere una posizione dove i rumori di funzionamento e l'aria calda/fredda scaricata dall'unità non possano creare disturbi alle persone e la posizione venga scelta in conformità alle normative vigenti.
- **Drenaggio.** Assicurarsi che l'acqua della condensa possa essere evacuata adeguatamente.
- Nei luoghi in cui la ricezione è debole, mantenere una distanza di almeno 3 m per evitare le interferenze elettromagnetiche di altri apparecchi e utilizzare tubi protettivi per le linee di alimentazione e trasmissione.

5 Installazione dell'unità

▪ **Luci a fluorescenza.** Durante l'installazione di un comando a distanza wireless (interfaccia utente) in una stanza con luci a fluorescenza, tenere presente quanto indicato di seguito per evitare interferenze:

- Installare il comando a distanza wireless (interfaccia utente) più vicino possibile all'unità interna.
- Installare l'unità interna il più lontano possibile dalle luci a fluorescenza.

NON installare l'unità in luoghi che vengono utilizzati spesso come luoghi di lavoro. In caso di lavori di costruzione (es. molatura) in cui si genera una grande quantità di polvere, l'unità DEVE essere coperta.

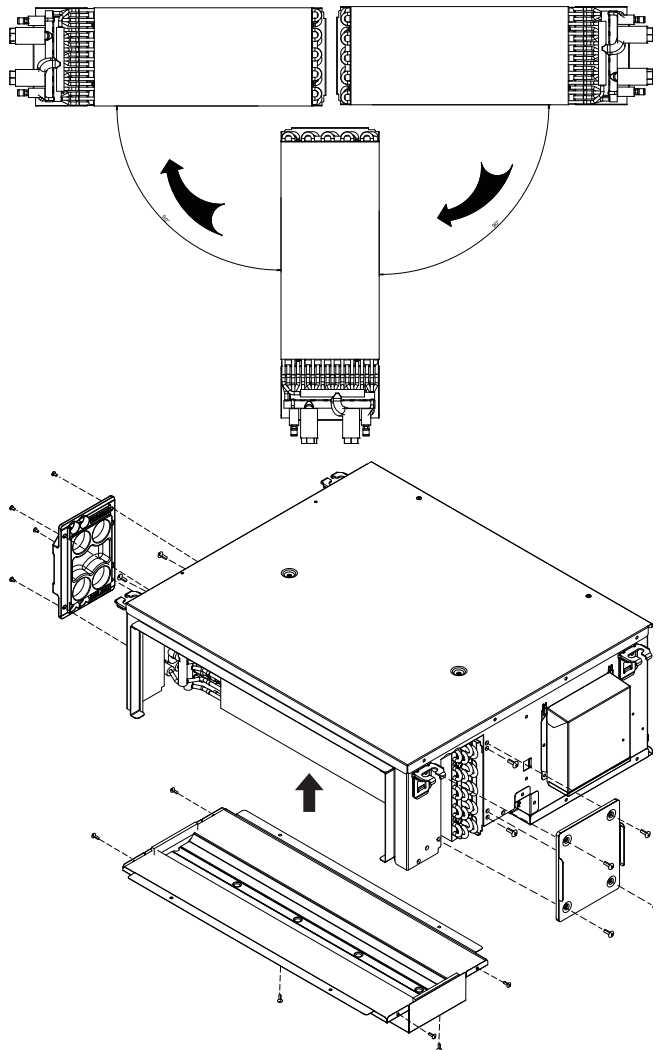
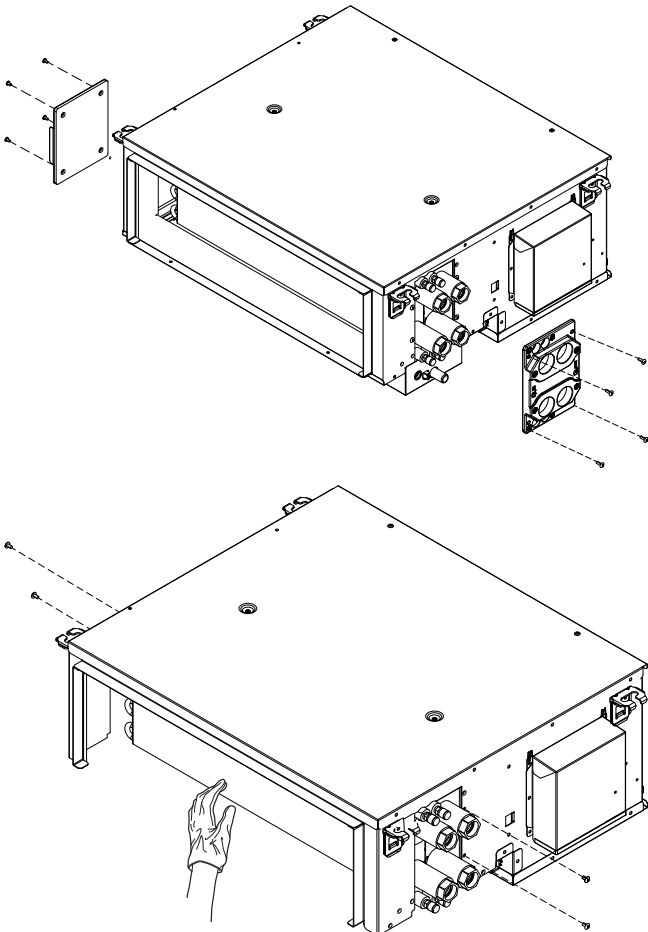
Non installare o utilizzare l'unità nei locali indicati di seguito.

- Luoghi in cui siano presenti olio minerale o saturi di aerosol o vapori d'olio, ad esempio nelle cucine (le parti in plastica potrebbero deteriorarsi).
- Luoghi in cui sono presenti gas corrosivi, ad esempio gas sulfurei. Le tubazioni in rame e i punti ottonati potrebbero corrodere.
- Luoghi in cui l'aria contiene elevate quantità di sale, ad esempio in prossimità delle coste, e luoghi in cui la tensione di linea è soggetta a grandi fluttuazioni (es. nelle fabbriche o su veicoli e natanti).
- In presenza di macchine che emettono onde elettromagnetiche. Le onde elettromagnetiche potrebbero interferire con il sistema di controllo, causando malfunzionamenti delle apparecchiature.
- In luoghi in cui esiste il rischio d'incendio dovuto alla perdita di gas infiammabili (esempio: diluenti o benzina), fibre di carbonio, polvere incendiabile.
- L'unità NON può essere installata in bagno.

5.2 Interscambiabilità

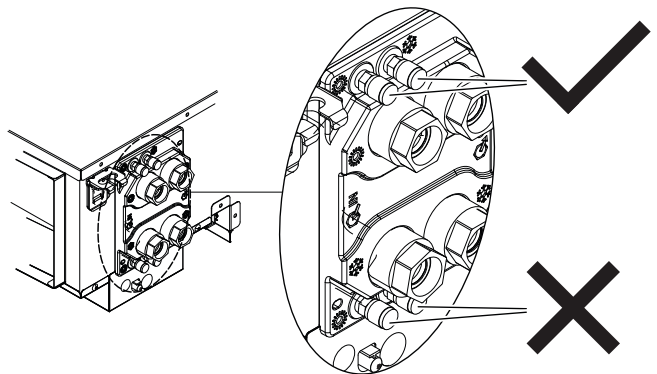
La posizione del prodotto deve essere modificata a terra.

Smontare la lamiera di copertura sulla piastra laterale dell'unità.



AVVISO

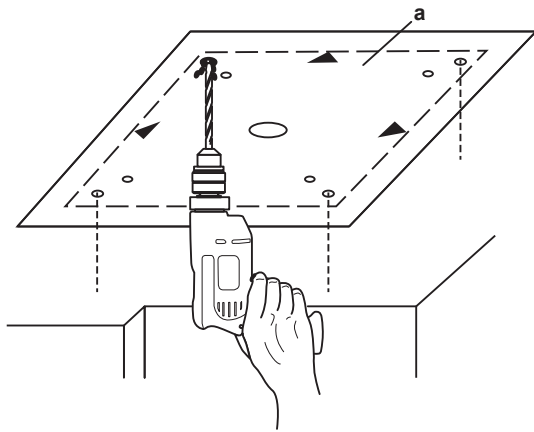
Utilizzare sempre le valvole superiori di spurgo dell'aria.



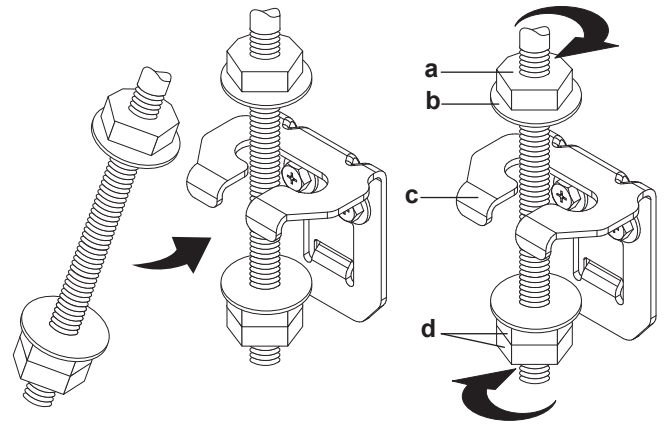
5.3 Montaggio dell'unità

5.3.1 Installazione dei bulloni di sospensione

Utilizzare il modello per determinare le posizioni dei bulloni di sospensione (parte superiore dell'imballaggio). Le posizioni dei bulloni di sospensione sono indicate sul modello in carta. È possibile effettuare i fori mettendo il modello in carta sul soffitto.



a Sagoma di cartone per l'installazione. (parte superiore dell'imballaggio)

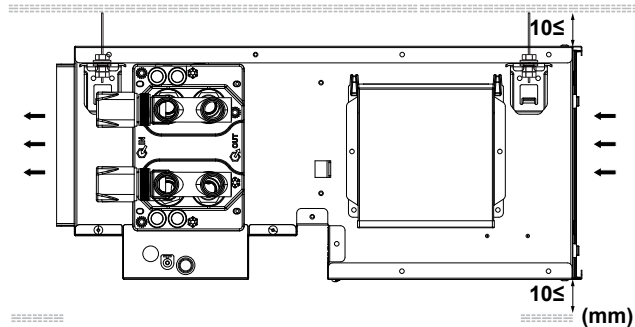


a Dado (da reperire in loco)
b Rondella (da reperire in loco)
c Staffa di sostegno
d Dado doppio (da reperire in loco)

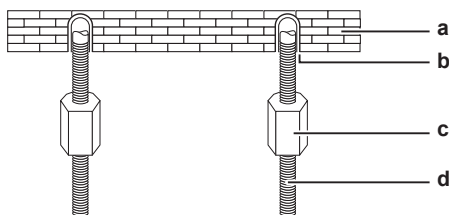
5.3.2 Per montare l'unità

Realizzare in una posizione idonea sul soffitto l'apertura necessaria per l'installazione. Potrebbe essere necessario rinforzare l'intelaiatura del controsoffitto per mantenere il soffitto in piano ed evitare vibrazioni.

Per i dettagli, rivolgersi al costruttore.



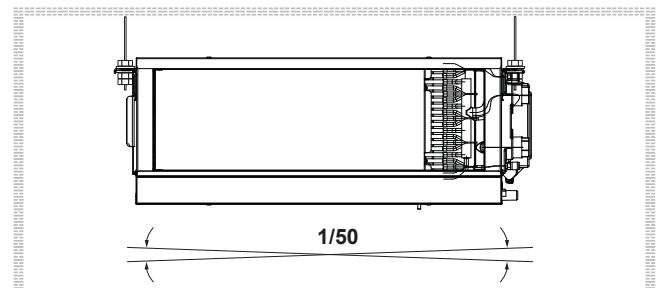
- **Resistenza del soffitto.** Verificare che il soffitto sia sufficientemente robusto per sopportare il peso dell'unità. In caso di dubbi, rinforzare il soffitto prima di installare l'unità.
 - Per i soffitti esistenti, utilizzare dispositivi di ancoraggio.
 - Per i soffitti nuovi, utilizzare tasselli incassati, dispositivi di ancoraggio incassati o altri componenti da reperire in loco.



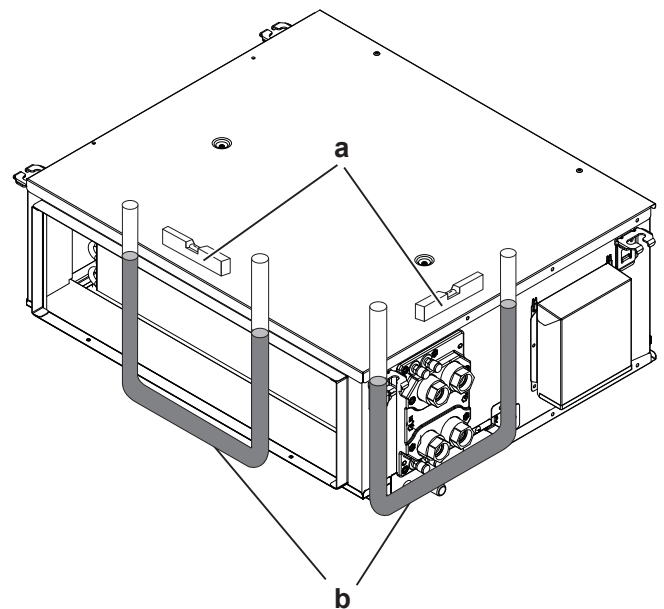
a Soletta del soffitto
b Dispositivo di ancoraggio
c Dado lungo o tenditore girevole
d Bullone di sospensione

- **Bulloni di sospensione.** Utilizzare bulloni di sospensione M8~M10 per l'installazione. Montare la staffa di sostegno sul bullone di sospensione. Fissarla saldamente con un dado e una rondella sia dal lato superiore sia dal lato inferiore della staffa di sostegno.

- Collocare l'unità nella posizione corretta per l'installazione.



- Verificare che l'unità sia perfettamente in piano.
- **Messa in piano.** Assicurarsi che l'unità sia in piano a tutti e 4 gli angoli utilizzando una bolla o un tubo di vinile trasparente pieno d'acqua.



a Livello
b Tubo di vinile

5 Installazione dell'unità

! AVVISO

NON installare l'unità in posizione inclinata. **Conseguenza possibile:** Se l'unità fosse inclinata in senso contrario rispetto alla direzione del flusso della condensa (con il lato della tubazione di scarico sollevato), l'acqua potrebbe gocciolare.

5.4 Installazione delle tubazioni dell'acqua

5.4.1 Preparazione delle tubazioni idrauliche

Prima di realizzare le tubazioni dell'acqua, controllare quanto segue:

- La pressione massima dell'acqua è 1,6 MPa.

L'unità è dotata di un'entrata e un'uscita per l'acqua, per il collegamento al circuito idraulico. Il circuito idraulico deve essere realizzato da un installatore e deve essere conforme alla legislazione applicabile.

- La temperatura minima dell'acqua è 5°C.
- La temperatura massima dell'acqua è 90°C.
- Assicurarsi di installare nella tubazione realizzata in loco dei componenti in grado di sopportare la pressione e la temperatura dell'acqua.
- Prevedere dispositivi di sicurezza adeguati nel circuito idraulico, per garantire che la pressione dell'acqua non superi mai la pressione di esercizio massima consentita.
- Predisporre un drenaggio adeguato per la valvola di sicurezza (se installata), per evitare che l'acqua possa entrare in contatto con le parti elettriche.
- Dotare l'unità di valvole di intercettazione per poter eseguire i normali interventi di riparazione senza dover svuotare il sistema.
- Installare dei rubinetti di scarico nei punti più bassi del sistema, per consentire lo svuotamento completo del circuito durante la manutenzione o la riparazione dell'unità.
- Installare valvole di spurgo dell'aria in tutti i punti più alti del sistema. Le valvole devono essere situate in punti facilmente accessibili per la riparazione.
- Proteggere le tubazioni dai danni fisici.

! AVVISO

Assicurarsi che la qualità dell'acqua sia conforme alla direttiva UE 2020/2184.

! AVVISO

È consentito utilizzare glicole, ma in quantità NON superiori al 40% del volume. Una quantità maggiore di glicole potrebbe danneggiare i componenti idraulici.

5.4.2 Collegamento delle tubazioni dell'acqua

! ATTENZIONE

Utilizzare sempre le valvole per controllare la circolazione dell'acqua all'interno dell'unità. Se il ventilconvettore è spento, ma l'acqua continua a circolare nell'unità, si formerà della condensa sull'unità e l'acqua potrebbe gocciolare.

! AVVISO

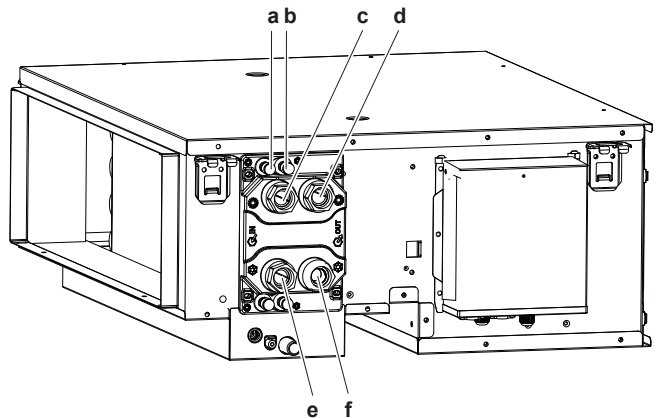
Non esercitare una forza eccessiva per collegare la tubazione. In caso contrario, la tubazione dell'unità si potrebbe deformare. La deformazione delle tubazioni può causare il malfunzionamento dell'unità.

! AVVISO

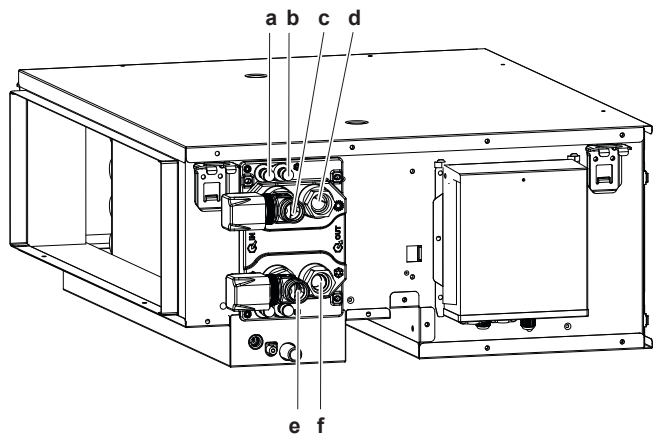
Accertarsi di isolare tutte le tubazioni. Le tubazioni esposte possono causare la formazione di condensa.



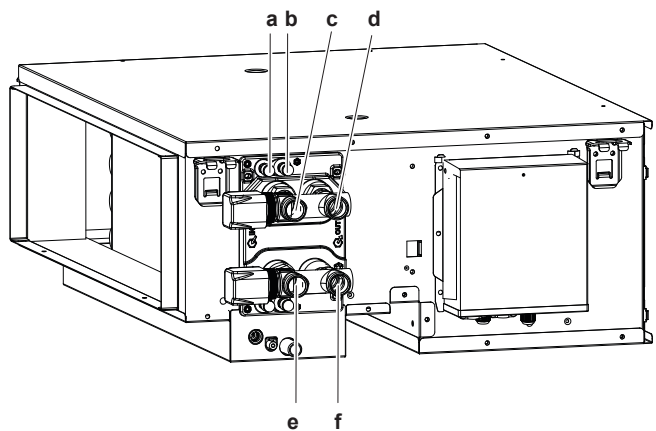
PERICOLO: RISCHIO DI USTIONI/SCOTTATURE



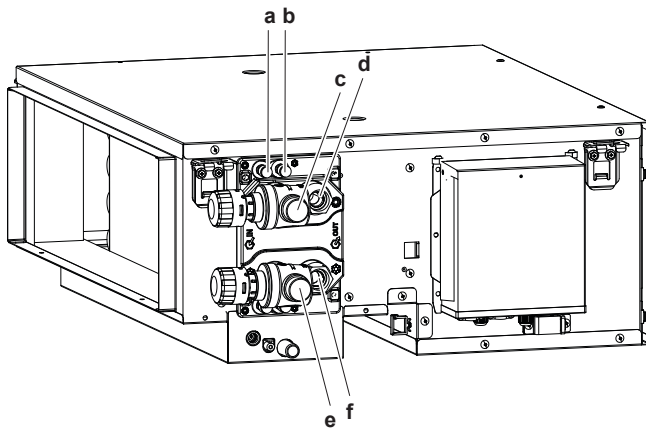
- a Spurgo dell'aria di riscaldamento
- b Spurgo dell'aria di raffreddamento
- c Entrata dell'acqua calda (BSP femmina da 3/4")
- d Uscita dell'acqua calda (BSP femmina da 3/4")
- e Entrata del raffreddamento (BSP femmina da 3/4")
- f Uscita del raffreddamento (BSP femmina da 3/4")



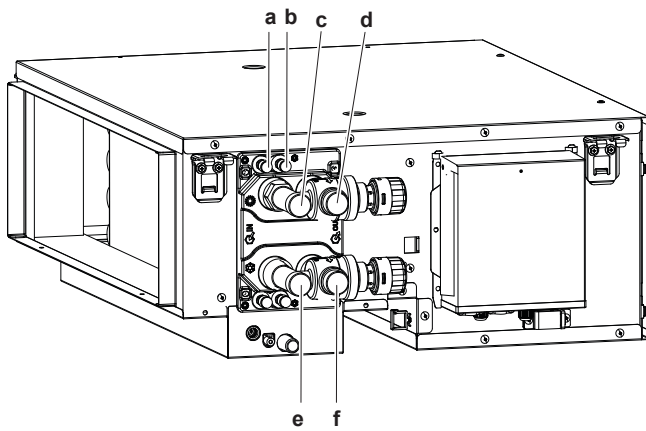
- a Spurgo dell'aria di riscaldamento
- b Spurgo dell'aria di raffreddamento
- c Entrata dell'acqua calda (DN 3/4")
- d Uscita dell'acqua calda (BSP femmina da 3/4")
- e Entrata del raffreddamento (DN 3/4")
- f Uscita del raffreddamento (BSP femmina da 3/4")



- a Spurgo dell'aria di raffreddamento
- b Spurgo dell'aria di riscaldamento
- c Entrata dell'acqua calda (DN 3/4")
- d Uscita dell'acqua calda (DN 3/4")
- e Entrata dell'acqua fredda (DN 3/4")
- f Uscita dell'acqua fredda (DN 3/4")

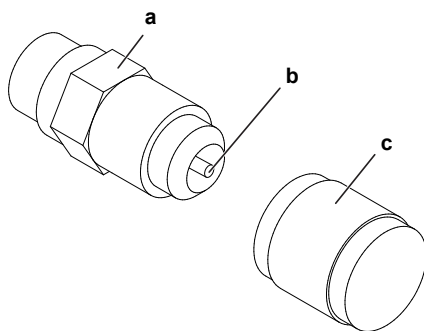


- a Spurgo dell'aria di riscaldamento
- b Spurgo dell'aria di raffreddamento
- c Entrata dell'acqua calda (DN 3/4")
- d Uscita dell'acqua calda (BSP femmina da 3/4")
- e Entrata del raffreddamento (DN 3/4")
- f Uscita del raffreddamento (BSP femmina da 3/4")



- a Spurgo dell'aria di riscaldamento
- b Spurgo dell'aria di raffreddamento
- c Entrata dell'acqua calda (DN 3/4")
- d Uscita dell'acqua calda (DN 3/4")
- e Entrata dell'acqua fredda (DN 3/4")
- f Uscita dell'acqua fredda (DN 3/4")

Riempimento del circuito idraulico



- a Spurgo dell'aria
- b Valvola di sfogo della pressione
- c Tappo

Durante il riempimento potrebbe non essere possibile eliminare tutta l'aria dal sistema. L'aria rimasta può essere rimossa durante le prime ore di funzionamento dell'unità. Per rimuovere l'aria dall'unità, si utilizza la valvola di spurgo aria manuale.

- 1 Aprire il tappo.
- 2 Premere la valvola di sicurezza per fare uscire l'aria dai circuiti idraulici dell'unità.
- 3 Chiudere il tappo.
- 4 Successivamente, potrebbe essere necessario eseguire un rabbocco (ma mai attraverso la valvola di spurgo aria).



AVVISO

La presenza di aria all'interno del circuito idraulico può causare un malfunzionamento. Durante il riempimento, potrebbe non essere possibile rimuovere tutta l'aria dal circuito. L'aria rimanente fuoriuscirà dalle valvole di spurgo aria automatiche durante le prime ore di funzionamento del sistema. In seguito potrebbe essere necessario rabboccare l'acqua.



AVVISO

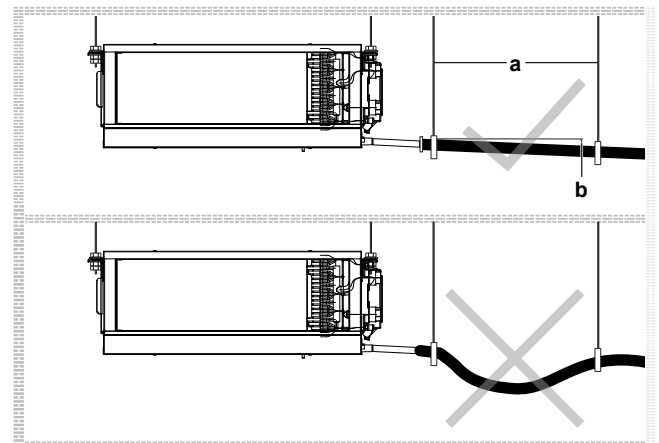
Assicurarsi che la qualità dell'acqua sia conforme alla direttiva UE 2020/2184.

5.5 Installazione delle tubazioni di drenaggio

5.5.1 Linee guida per l'installazione delle tubazioni di scarico

Linee guida generali

- **Lunghezza dei tubi.** Mantenere la tubazione di scarico il più corta possibile.
- **Dimensione del tubo.** La dimensione del tubo deve essere uguale o maggiore a quella del tubo di collegamento (tubo in vinile con diametro nominale di 25 mm e diametro esterno di 32 mm).
- **Condensa.** Adottare misure contro la formazione di condensa. Isolare l'intera tubazione di scarico nell'edificio.
- **Pendenza.** Assicurarsi che le tubazioni di scarico siano in discesa (pendenza minima 1/50) per evitare che l'aria resti intrappolata nelle tubazioni. Utilizzare le barre di sostegno come mostrato.



- a Barra di sostegno
- ✓ Consentito
- ✗ Non consentito

5 Installazione dell'unità

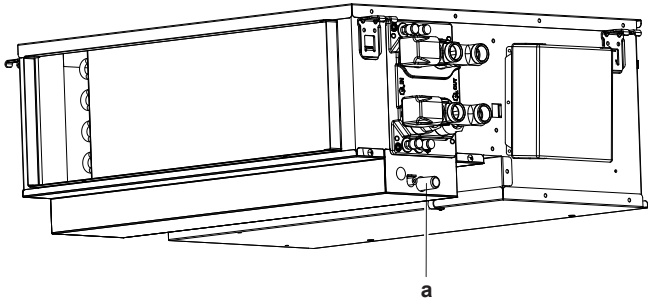
5.5.2 Collegamento delle tubazioni di scarico

Per collegare le tubazioni di drenaggio

! AVVISO

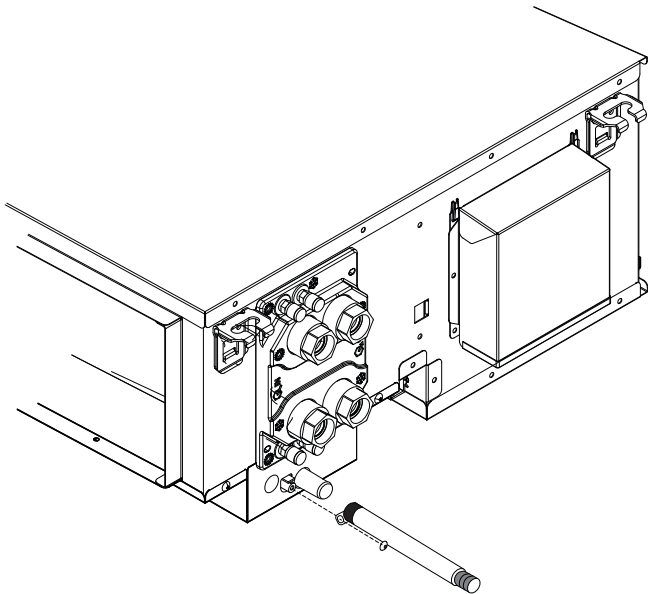
L'errato collegamento del tubo flessibile di scolo può causare perdite e danni allo spazio d'installazione e all'area circostante.

- 1 Spingere il flessibile di drenaggio il più possibile nell'apertura di drenaggio.
- 2 Stringere la vite dal tubo flessibile di drenaggio alla superficie della vaschetta di drenaggio.
- 3 Verificare se ci sono perdite d'acqua.



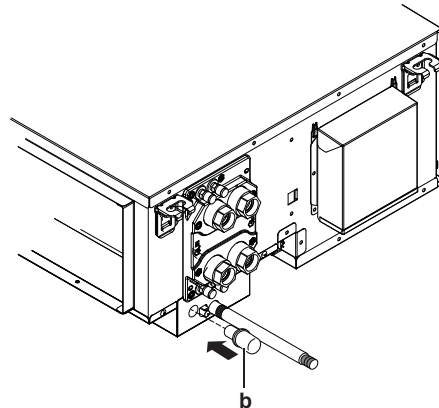
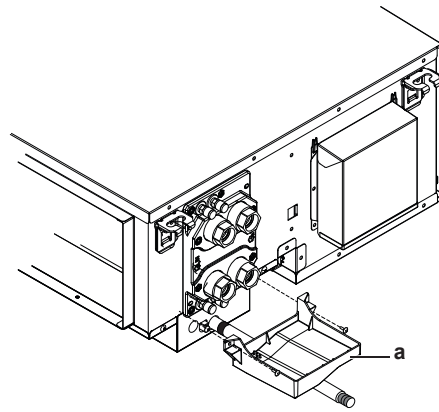
a Apertura di drenaggio

- 4 Inserire il tubo flessibile di scarico e serrarlo con la vite di fissaggio (set degli accessori).



! AVVISO

L'unità deve essere utilizzata con un tubo flessibile di drenaggio. Il mancato serraggio del tubo potrebbe causare perdite d'acqua e vibrazioni.

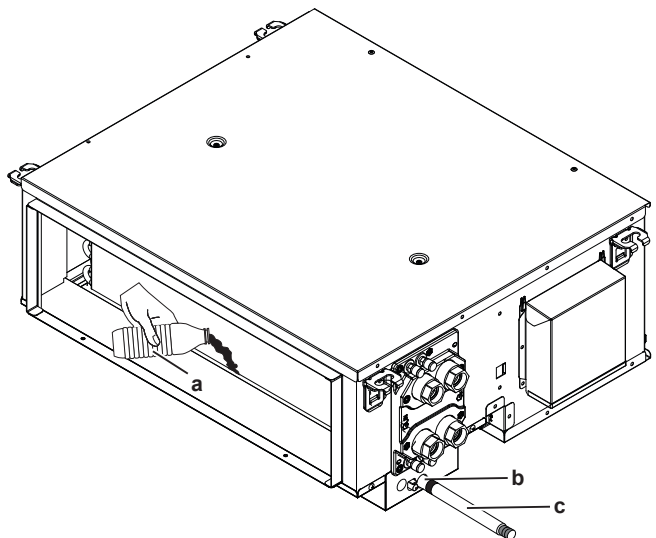


! AVVISO

Se non si utilizza la vaschetta di drenaggio secondaria (a), il relativo foro deve essere chiuso con un tappo (b).

Cablaggio elettrico già completato

- 1 Avviare il funzionamento in raffreddamento.
- 2 Versare gradualmente circa 1 l d'acqua nell'uscita di scarico dell'aria, quindi verificare che non vi siano perdite.



- a Recipiente per l'inserimento dell'acqua
b Uscita dello scarico (utilizzare questa uscita per scaricare l'acqua dalla vaschetta di raccolta)
c Tubo flessibile di drenaggio

5.6 Installazione delle apparecchiature opzionali

5.6.1 Preparazione delle apparecchiature opzionali



INFORMAZIONE

Apparecchiature opzionali. Per installare le apparecchiature opzionali, leggere anche il relativo manuale d'installazione. A seconda delle condizioni riscontrate in loco, potrebbe risultare più agevole installare prima le apparecchiature opzionali.

Apparecchiature opzionali	Codice d'identificazione
Filtro G2	EKAF02G5A
	EKAF03G5A
Valvola a 2 vie - ON/OFF (AC 230 V)	EK02WV2V3W5A
	EK04WV2V3C5A
	EK06WV2V3C5A
Valvola a 3 vie - ON/OFF (AC 230 V)	EK02WV3V3W5A
	EK04WV3V3C5A
	EK06WV3V3C5A
Valvola proporzionale (AC 24 V) a 3 vie - valvola a 4 porte	EK02P3V24W5A
	EK04P3V24C5A
	EK06P3V24C5A
Sistema di comando a distanza	FWEC3A
Comando a distanza (modello a 2 tubi)	FWEC2T
Comando a distanza (modello a 4 tubi)	FWEC4T
Sistema di comando a distanza (scheda di controllo del pannello)	FWECSAP
Sistema di comando a distanza	FWECSAC
Sistema di comando a distanza	FWTOUCHW
	FWTOUCHB
	FWTOUCHG
Kit di cavi delle valvole	EKER015A

5.6.2 Collegamento delle apparecchiature opzionali

Specifiche tecniche delle valvole

Valore Kvs	Pressione di esercizio massima PN (bar)	Alimentazione dell'attuatore
2,8	16	1 fase, 230 V, 50-60 Hz
4		
6		

6 Installazione dei componenti elettrici



PERICOLO: RISCHIO DI ELETTROCUZIONE



AVVERTENZA

Per i cavi di alimentazione utilizzare SEMPRE cavi a più trefoli.



AVVERTENZA

Utilizzare un interruttore che scollega tutti i poli con una distanza dei contatti di almeno 3 mm che provveda alla completa disconnessione nella condizione di sovratensione di categoria III.



AVVERTENZA

Se il cavo di alimentazione è danneggiato, DEVE essere sostituito dal costruttore, dal suo rappresentante o da persone in possesso di una qualifica simile, per evitare ogni rischio.

6.1 Preparazione del cablaggio elettrico



AVVERTENZA

Tutti i collegamenti elettrici in loco e i componenti DEVONO essere installati da un installatore qualificato e DEVONO essere conformi alla legislazione applicabile.



PERICOLO: RISCHIO DI ELETTROCUZIONE



AVVERTENZA

In conformità alla legislazione applicabile, i cavi fissi DEVONO essere dotati di un interruttore generale o comunque di altri dispositivi per lo scollegamento che dispongano della separazione dei contatti in tutti i poli.



ATTENZIONE

- Quando si collega il cavo di alimentazione: effettuare il collegamento a terra prima di stabilire i collegamenti della corrente.
- Quando si scollega il cavo di alimentazione: scollegare i collegamenti della corrente prima di separare il collegamento di messa a terra.
- La lunghezza dei conduttori tra la distensione dell'alimentazione e la morsettiera DEVE essere tale da consentire la tesatura dei cavi della corrente prima del cavo di messa a terra, nel caso in cui l'alimentazione venga staccata dalla distensione.



AVVERTENZA

- Dopo aver completato i collegamenti elettrici, accertarsi che tutti i componenti elettrici e i terminali all'interno del quadro elettrico siano collegati saldamente.
- Assicurarsi che tutti i coperchi siano stati chiusi prima di avviare l'unità.



AVVERTENZA

NON applicare carichi capacitivi o induttivi permanenti al circuito senza assicurarsi che NON si superino i valori di corrente e tensione consentiti per l'apparecchiatura in uso.



AVVISO

L'apparecchiatura descritta nel presente manuale potrebbe causare disturbi elettromagnetici generati dall'energia a radio frequenza. L'apparecchiatura è conforme alle specifiche redatte per offrire una protezione ragionevole contro tali interferenze. Ciononostante, non esistono garanzie che escludano tale interferenza in una particolare installazione.

Si consiglia pertanto di installare l'apparecchiatura e i cavi elettrici assicurando una distanza adeguata dalle apparecchiature stereo, dai personal computer, ecc.

6 Installazione dei componenti elettrici



PERICOLO: RISCHIO DI ELETTROCUZIONE

- DISATTIVARE tutte le sorgenti di alimentazione prima di rimuovere il coperchio della morsettiera del ventilconvettore quando si collegano cavi elettrici o si tocca qualsiasi componente elettrico.
- Scollegare la sorgente di alimentazione per più di 10 minuti e misurare la tensione ai terminali dei condensatori del circuito principale o dei componenti elettrici prima di intervenire. La tensione DEVE essere minore di 50 V CC prima che sia possibile toccare i componenti elettrici. Per quanto riguarda la posizione dei terminali, consultare lo schema dell'impianto elettrico.
- NON toccare i componenti elettrici con le mani bagnate.
- NON lasciare l'unità incustodita se è stato rimosso il coperchio della morsettiera.



AVVERTENZA

- Utilizzare SOLO fili di rame.
- Verificare che i collegamenti in loco siano conformi alla legislazione vigente.
- Tutti i collegamenti in loco DEVONO essere eseguiti in conformità allo schema elettrico fornito con il prodotto.
- Non stringere MAI i fasci di cavi e assicurarsi che NON entrino a contatto con tubazioni e bordi taglienti. Verificare che sui collegamenti dei morsetti non gravi alcuna pressione esterna.
- Assicurarsi di installare il cablaggio di messa a terra. NON effettuare la messa a terra dell'unità tramite tubi accessori, assorbitori di sovratensione o la messa a terra del telefono. Una messa a terra incompleta può provocare scosse elettriche.
- Accertarsi di installare i fusibili o gli interruttori di circuito richiesti.
- Accertarsi di installare un interruttore di dispersione a terra. La mancata osservanza di tale prescrizione può provocare scosse elettriche o incendi.

6-1 Specifiche per i collegamenti elettrici in loco

	2 tubi									
	04	05	06	08	10	12	14	16	20	24
Corrente massima di funzionamento (A)	0,27	0,27	0,38	0,44	0,48	0,53	0,81	0,88	0,88	1,06
Corrente massima di funzionamento (A) con valvoleFN	0,34	0,34	0,45	0,51	0,55	0,60	0,88	0,95	0,95	1,13
Fusibile di sovracorrente consigliato (A)	5									
Fase	1									
Frequenza (Hz)	50									
Tensione (V)	220~240									
Tolleranza della tensione (%)	±10									
Dimensioni dei fili (sezione trasversale in mm ²)	0,75~1,25									
Interruttore di dispersione a massa	Deve essere conforme alle norme vigenti									

6-2 Specifiche per i collegamenti elettrici in loco

	4 tubi									
	04	05	06	08	10	12	14	16	20	24
Corrente massima di funzionamento (A)	0,26	0,26	0,37	0,43	0,50	0,56	0,79	0,87	0,83	1,04
Corrente massima di funzionamento (A) con valvoleFN	0,33	0,33	0,44	0,50	0,57	0,63	0,86	0,94	0,90	1,11
Fusibile di sovracorrente consigliato (A)	5									
Fase	1									
Frequenza (Hz)	50									
Tensione (V)	220~240									
Tolleranza della tensione (%)	±10									
Dimensioni dei fili (sezione trasversale in mm ²)	0,75~1,25									
Interruttore di dispersione a massa	Deve essere conforme alle norme vigenti									

6.2 Collegamento del cablaggio elettrico



PERICOLO: RISCHIO DI ELETTROCUZIONE



AVVERTENZA

Per i cavi di alimentazione utilizzare SEMPRE cavi a più trefoli.



AVVERTENZA

Utilizzare un interruttore che scollega tutti i poli con una distanza dei contatti di almeno 3 mm che provveda alla completa disconnessione nella condizione di sovratensione di categoria III.



AVVERTENZA

Se il cavo di alimentazione è danneggiato, DEVE essere sostituito dal costruttore, dal suo rappresentante o da persone in possesso di una qualifica simile, per evitare ogni rischio.

**AVVISO**

Precauzioni per la posa del cablaggio di alimentazione:



- NON collegare cablaggi di spessori differenti alla morsettiera di alimentazione (un allentamento del cablaggio di alimentazione potrebbe causare un calore anormale).
- Se si collegano cablaggi aventi lo stesso spessore, procedere come illustrato nella figura sopra.
- Per il cablaggio, utilizzare il filo di alimentazione designato e collegarlo saldamente, quindi fissarlo per evitare che sulla morsettiera venga esercitata una pressione esterna.
- Utilizzare un cacciavite appropriato per serrare le viti dei terminali. Se la lama del cacciavite è troppo piccola, si danneggerà la testa delle viti e diventerà impossibile serrarle correttamente.
- Serrando eccessivamente le viti, si possono rompere i terminali.

**AVVISO**

- Attenersi allo schema dell'impianto elettrico (fornito con l'unità e posto all'interno del coperchio di servizio).
- Per istruzioni su come collegare le apparecchiature opzionali, consultare il manuale di installazione fornito con le apparecchiature opzionali.
- Assicurarsi che i collegamenti elettrici NON ostacolino la corretta riapplicazione del coperchio di servizio.

È importante che i cavi di alimentazione e i cavi di trasmissione siano separati. Per evitare interferenze elettriche, la distanza tra i due tipi di cavi deve essere SEMPRE pari ad almeno 50 mm.

**AVVISO**

Assicurarsi di tenere la linea di alimentazione separata dalla linea di trasmissione. I cavi di trasmissione e i cavi di alimentazione possono incrociarsi, ma NON correre paralleli.

7 Messa in esercizio

**AVVISO**

NON interrompere la prova di funzionamento.

7.1 Elenco di controllo prima della messa in esercizio

- 1 Dopo l'installazione dell'unità, controllare le voci riportate di seguito.
- 2 Chiudere l'unità.
- 3 Accendere l'unità.

<input type="checkbox"/>	Dovete aver letto tutte le istruzioni d'installazione, come descritto nella guida di consultazione per l'installatore .
<input type="checkbox"/>	Le unità interne sono montate correttamente.
<input type="checkbox"/>	NON vi sono fasi mancanti o fasi invertite .
<input type="checkbox"/>	Il sistema è correttamente nesso a terra e i terminali di massa sono serrati.
<input type="checkbox"/>	I fusibili o i dispositivi di protezione installati localmente sono stati installati conformemente al presente documento e NON sono stati bypassati.
<input type="checkbox"/>	La tensione di alimentazione corrisponde alla tensione indicata sulla targhetta di identificazione dell'unità.
<input type="checkbox"/>	Non è presente NESSUN collegamento allentato o componente elettrico danneggiato nel quadro elettrico.
<input type="checkbox"/>	Non c'è NESSUN componente danneggiato o tubo schiacciato all'interno delle unità interne ed esterne.
<input type="checkbox"/>	È installata la dimensione dei tubi corretta e i tubi sono correttamente isolati.

Per l'utente

8 Istruzioni di sicurezza per l'utente

Rispettare sempre le seguenti istruzioni e norme di sicurezza.

8.1 Istruzioni per un utilizzo sicuro

**ATTENZIONE**

NON inserire mani, corde o altri oggetti nell'ingresso o nell'uscita dell'aria. La rotazione del ventilatore ad alta velocità può causare lesioni.

**ATTENZIONE: Prestare attenzione al ventilatore!**

È pericoloso ispezionare l'unità mentre il ventilatore è in funzione.

SPEGNERE l'interruttore principale prima di eseguire qualunque attività di manutenzione.

**ATTENZIONE**

Dopo un uso prolungato, verificare le condizioni dei raccordi e del supporto dell'unità. Se sono danneggiati, l'unità potrebbe cadere e provocare danni alle persone.

9 Informazioni sul sistema

ATTENZIONE

Un'esposizione prolungata al flusso d'aria proveniente dall'apparecchio non è salutare.

ATTENZIONE

Non toccare MAI le parti interne del telecomando.

PERICOLO: RISCHIO DI ELETTRUCUZIONE

Prima di pulire il climatizzatore o il filtro dell'aria, interromperne il funzionamento e **SPEGNERE** tutte le fonti di alimentazione. In caso contrario, potrebbero verificarsi scosse elettriche e lesioni.

AVVERTENZA

Mantenere libere da ostruzioni le aperture di ventilazione richieste.

AVVERTENZA

Interrompere il funzionamento e DISATTIVARE l'alimentazione se si verificano anomalie (puzza di bruciato, ecc.).

Se l'unità continua a funzionare in tali circostanze, possono verificarsi guasti, scosse elettriche o incendi. Contattare il rivenditore.

AVVERTENZA

MAI toccare l'uscita dell'aria o le pale orizzontali mentre il deflettore oscillante è in funzione. In caso contrario le dita potrebbero rimanervi intrappolate e l'unità potrebbe danneggiarsi.

AVVERTENZA

NON collocare contenitori di spray infiammabili accanto al climatizzatore; NON utilizzare spray vicino all'unità. Ciò potrebbe causare incendi.

AVVERTENZA

Prima di metterla in funzione, assicurarsi che l'installazione sia stata effettuata a regola d'arte da parte di un installatore.

AVVERTENZA

L'apparecchiatura deve essere conservata in maniera tale da evitare danni meccanici e in una stanza ben aerata, senza fonti di accensione in funzionamento continuo (ad esempio fiamme libere, apparecchiature a gas in funzione o riscaldatori elettrici in funzione). Le dimensioni del locale devono corrispondere a quelle specificate nella sezione Precauzioni generali per la sicurezza.

9 Informazioni sul sistema

AVVERTENZA

NON modificare, smontare, rimuovere, reinstallare o riparare l'unità da soli. Uno smontaggio o un'installazione errati potrebbero favorire il rischio di folgorazione o incendio. Contattare il rivenditore.

AVVISO

NON utilizzare il sistema per scopi diversi. NON utilizzare l'unità per raffreddare strumenti di precisione, cibo, piante, animali e opere d'arte. Ne potrebbe conseguire un deterioramento della qualità.

AVVISO

Per modifiche o espansioni future del sistema:

Nei dati tecnici è disponibile una panoramica completa delle combinazioni consentite (per le future estensioni del sistema), a cui è opportuno fare riferimento. Rivolgersi all'installatore per ottenere ulteriori informazioni e una consulenza professionale.

10 Prima dell'uso

AVVERTENZA

L'unità contiene componenti elettrici e caldi.

AVVERTENZA

Prima di metterla in funzione, assicurarsi che l'installazione sia stata effettuata a regola d'arte da parte di un installatore.

ATTENZIONE

Non esporre MAI bambini piccoli, piante o animali direttamente al flusso d'aria.

Questo manuale è riferito agli apparecchi sotto indicati e dotati di sistema di controllo standard. Prima dell'uso, contattare il rivenditore per informazioni sulla modalità di funzionamento corrispondente al tipo e alla versione del sistema. Se il vostro impianto è dotato di un sistema di controllo particolare, l'installatore dovrà fornirvi le relative indicazioni per la gestione dello stesso.

Modalità di funzionamento:

- Riscaldamento e raffreddamento (aria-aria).
- Sola ventilazione (aria-aria).

Questo manuale d'uso contiene una panoramica non esaustiva delle principali funzioni del sistema.

Per ulteriori informazioni sull'interfaccia utente, consultare il manuale d'installazione dell'interfaccia utente installata.

11 Funzionamento

11.1 Intervallo di funzionamento

Le seguenti condizioni sono limiti di funzionamento standard. Per condizioni diverse, consultare il rivenditore.

Modalità	Condizione	Limite di temperatura dell'aria (DB/WB)	Limite di temperatura dell'acqua (ingresso/uscita)	Delta acqua T, ΔT
Raffreddamento (°C)	Min.	15/6 (RH 20%)	5/8	3-10
	Max.	33/26 (RH 58%)	18/28	
Riscaldamento (°C)	Min.	15/**	35/30	5-20
	Max.	27/**	90/70	

12 Risparmio energetico e funzionamento ottimale

Per un corretto funzionamento del sistema, attenersi alle seguenti precauzioni.

- Regolare correttamente l'uscita d'aria ed evitare di rivolgere il flusso dell'aria verso gli occupanti della stanza.
- Regolare la temperatura della stanza in modo da creare un ambiente confortevole. Evitare un riscaldamento o un raffreddamento eccessivi.
- Proteggere la stanza dalla luce diretta del sole durante il raffreddamento mediante tende o dispositivi oscuranti.
- Aerare spesso. Un utilizzo prolungato implica un'attenzione particolare per l'aerazione.
- Tenere chiuse le porte e le finestre. Se porte e finestre rimangono aperte, l'aria uscirà dalla stanza riducendo l'effetto di raffreddamento o riscaldamento.
- EVITARE un raffreddamento o un riscaldamento eccessivo. Per risparmiare energia, mantenere l'impostazione della temperatura ad un livello medio.
- Non appoggiare MAI oggetti accanto all'ingresso o all'uscita dell'aria dell'unità. In quanto l'effetto di riscaldamento/raffreddamento potrebbe ridursi oppure l'unità potrebbe arrestarsi.
- Potrebbe formarsi della condensa se l'umidità supera l'80% o se l'uscita di drenaggio è ostruita.



AVVISO

NON utilizzare il sistema per scopi diversi. NON utilizzare l'unità per raffreddare strumenti di precisione, cibo, piante, animali e opere d'arte. Ne potrebbe conseguire un deterioramento della qualità.



ATTENZIONE

NON azionare il sistema se nel locale è stato utilizzato un insetticida a fumigazione. Le sostanze chimiche potrebbero depositarsi nell'unità e mettere in pericolo la salute delle persone particolarmente sensibili alle sostanze chimiche.

13 Manutenzione e assistenza

13.1 Precauzioni generali di sicurezza



PERICOLO: RISCHIO DI USTIONI/SCOTTATURE



PERICOLO: RISCHIO DI ELETTROCUZIONE



AVVISO

Mantenere pulito il filtro dell'aria e controllare periodicamente il tasso del flusso d'aria.



AVVERTENZA

- Prima di eseguire qualsiasi intervento di manutenzione o di riparazione, spegnere SEMPRE l'interruttore di circuito sul pannello di alimentazione.
- NON toccare le sezioni conduttive.
- NON pulire con acqua la parte esterna dell'unità. Si potrebbero provocare scosse elettriche o incendi.

Per pulire l'esterno del ventilconvettore:

- Spegnere il ventilconvettore.
- Pulire l'esterno del ventilconvettore con un panno morbido.



ATTENZIONE

- NON ostruire in alcun modo l'ingresso o l'uscita dell'aria dell'unità.
- NON appoggiare indumenti bagnati o umidi sulla griglia di uscita dell'aria dell'unità.
- NON versare liquidi all'interno dell'apparecchio.

Non pulire mai il ventilconvettore utilizzando:

- solventi chimici aggressivi,
- acqua a temperature superiori a 50°C.

Per la manutenzione del ventilconvettore, contattare l'installatore o la società di assistenza.

13.2 Precauzioni per la manutenzione e l'assistenza



AVVISO

MAI ispezionare né effettuare la manutenzione dell'unità da soli. Incaricare un tecnico specializzato dell'esecuzione di questi interventi. L'utente finale può comunque occuparsi della pulizia del filtro dell'aria, della griglia di aspirazione, dell'uscita dell'aria e dei pannelli esterni.



AVVERTENZA

Se un fusibile si brucia, NON sostituirlo MAI con fusibili di amperaggio diverso o con altri cavi. La sostituzione di un fusibile con un cavo o un cavo di rame può provocare guasti o incendi.



ATTENZIONE

Dopo un uso prolungato, verificare le condizioni dei raccordi e del supporto dell'unità. Se sono danneggiati, l'unità potrebbe cadere e provocare danni alle persone.



AVVISO

NON pulire il pannello del telecomando con benzina, diluente, panno pulente trattato chimicamente, ecc. Il pannello potrebbe sbiadirsi o il rivestimento potrebbe staccarsi. Se il pannello è molto sporco, utilizzare un panno imbevuto di detergente neutro diluito in acqua e strizzato bene. Passare con un panno asciutto.



ATTENZIONE

Scollegare completamente l'alimentazione prima di accedere ai dispositivi terminali.

13 Manutenzione e assistenza

AVVISO

Per la pulizia dello scambiatore di calore, assicurarsi di rimuovere il quadro elettrico, il motore della ventola, la pompa di scarico e l'interruttore a galleggiante. Acqua e detersivi possono deteriorare l'isolante dei componenti elettronici e provocare la loro bruciatura.

AVVERTENZA

Quando si lavora ad altezze elevate occorre fare molta attenzione con le scale a pioli.

13.3 Pulizia del filtro dell'aria, della griglia di aspirazione, dell'uscita dell'aria e dei pannelli esterni

ATTENZIONE

Spegnere l'unità prima di pulire il filtro dell'aria, la griglia di aspirazione, l'uscita dell'aria e i pannelli esterni.

AVVISO

- NON sfregare energicamente durante il lavaggio della pala con acqua. **Conseguenza possibile:** Il rivestimento della superficie potrebbe staccarsi.

Pulire con un panno morbido. Se risulta difficile rimuovere le macchie, utilizzare acqua o un detersivo neutro.

13.3.1 Pulizia del filtro dell'aria

Frequenza di pulizia del filtro dell'aria:

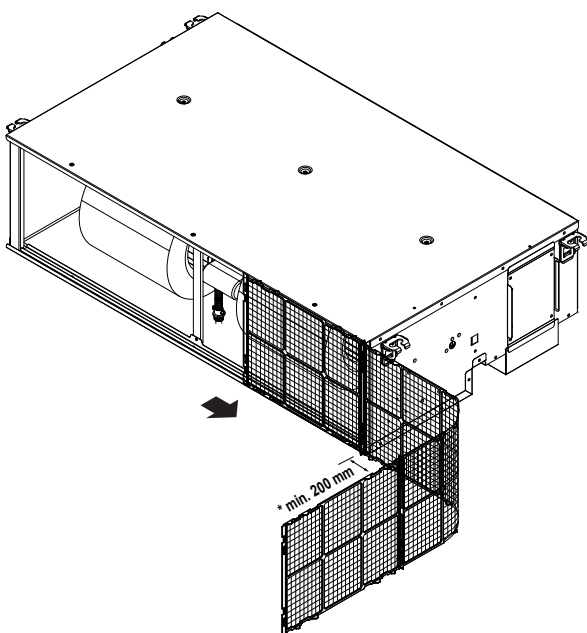
- Regola generale: Effettuare la pulizia ogni 6 mesi. Se l'aria nel locale è particolarmente contaminata, aumentare la frequenza della pulizia.
- Se la sporcizia divenisse tale da rendere impossibile la pulizia, sostituire il filtro dell'aria (= apparecchiatura opzionale).

Come pulire il filtro dell'aria:

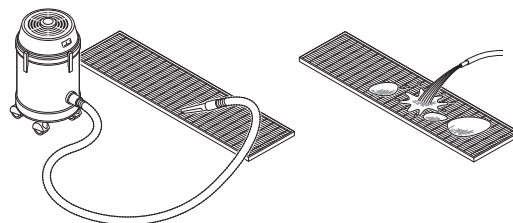
AVVISO

NON utilizzare acqua a temperatura superiore a 50°C. **Conseguenza possibile:** Scolorimento e deformazione.

- 1 Disattivare l'alimentazione. Il filtro dell'aria può trovarsi sul lato destro o sinistro. Rimuovere il filtro facendolo scorrere come mostrato sotto.



- 2 Pulire il filtro dell'aria. Utilizzare un aspirapolvere oppure lavare con acqua. Se il filtro dell'aria è particolarmente sporco, usare una spazzola morbida e un detersivo neutro.



- 3 Lasciare asciugare il filtro dell'aria all'ombra.
- 4 Rimontare il filtro dell'aria e chiudere la griglia di aspirazione.

13.4 Manutenzione dopo un lungo periodo di arresto

Ad esempio all'inizio della stagione.

- Controllare e rimuovere tutto quello che potrebbe bloccare le aperture di ingresso e di uscita delle unità interne ed esterne.
- Pulire i filtri dell'aria e i telai delle unità interne (vedere "13.3.1 Pulizia del filtro dell'aria" ▶ 118] e Pulizia dell'uscita dell'aria e dei pannelli esterni).

13.5 Manutenzione prima di un lungo periodo di arresto

Ad esempio alla fine della stagione.

- Azionare le unità interne nella modalità di sola ventilazione per circa mezza giornata in modo da asciugare l'interno delle unità. Fare riferimento al capitolo Informazioni su raffreddamento, riscaldamento, solo ventola e funzionamento automatico per maggiori informazioni sulla modalità di sola ventilazione.
- Togliere l'alimentazione. La schermata dell'interfaccia utente scompare.
- Pulire i filtri dell'aria e i telai delle unità interne (vedere "13.3.1 Pulizia del filtro dell'aria" ▶ 118] e Pulizia dell'uscita dell'aria e dei pannelli esterni).

13.6 Servizio di assistenza e garanzia post-vendita

13.6.1 Manutenzione e ispezione consigliate

L'accumulo di polvere dovuto ad anni di utilizzo comporta un deterioramento delle prestazioni. Poiché lo smontaggio e la pulizia delle unità necessitano di competenza tecnica, per garantire la migliore manutenzione delle unità si consiglia di sottoscrivere un contratto di manutenzione e di controllo oltre ad eseguire le normali attività di manutenzione. La nostra rete di rivenditori ha accesso a una scorta permanente di componenti essenziali in grado di assicurare il perfetto funzionamento dell'unità per il più lungo periodo possibile. Contattare il rivenditore di zona per ulteriori informazioni.

Quando si richiede l'intervento del rivenditore, indicare sempre:

- Il nome di modello completo dell'unità.
- Il numero di produzione (indicato sulla targhetta dell'unità).
- La data di installazione.
- I sintomi del problema di funzionamento e i dettagli del difetto.



AVVERTENZA

NON modificare, smontare, rimuovere, reinstallare o riparare l'unità da soli. Uno smontaggio o un'installazione errati potrebbero favorire il rischio di folgorazione o incendio. Contattare il rivenditore.

13.6.2 Cicli di manutenzione e sostituzione ridotti

Considerare la riduzione del "ciclo di manutenzione" e del "ciclo di sostituzione" nelle seguenti situazioni:

L'unità viene utilizzata in luoghi in cui:

- si registrano fluttuazioni di calore e umidità fuori dall'ordinario;
- esiste un'alta fluttuazione di potenza (tensione, frequenza, distorsione della forma d'onda, ecc.) (l'unità non può essere usata se le fluttuazioni di potenza non rientrano nei limiti consentiti);
- si registrano frequenti urti e vibrazioni;
- nell'aria potrebbero essere presenti polvere, sale, gas tossico o olio nebulizzato, come acido solforoso e acido solfidrico.
- L'apparecchio viene avviato e arrestato frequentemente o il tempo di funzionamento è lungo (luoghi con una climatizzazione di 24 ore).

Ciclo di sostituzione raccomandato delle parti soggette ad usura

Componente	Ciclo di ispezione	Ciclo di manutenzione (sostituzioni e/o riparazioni)
Filtro dell'aria	1 anno	5 anni
Filtro ad alta efficienza		1 anno
Fusibile		10 anni
Parti sottoposte a pressione		In caso di corrosione, contattare il rivenditore di zona.



INFORMAZIONE

I danni imputabili a un disassemblaggio o a una pulizia della parte interna delle unità ad opera di persone diverse dai rivenditori autorizzati potrebbero non essere contemplati nei termini di garanzia.

14 Risoluzione dei problemi

Se si verifica uno dei seguenti malfunzionamenti, prendere i provvedimenti riportati di seguito e contattare il rivenditore.

Il sistema DEVE essere riparato da un tecnico qualificato.

Problema di funzionamento	Misura
In caso di attivazione frequente di un dispositivo di sicurezza, come un fusibile, un interruttore o un interruttore di dispersione a terra, oppure se l'interruttore di accensione/spegnimento non funziona in modo corretto.	Spegnere l'interruttore di alimentazione principale.
Se l'unità perde acqua.	Interrompere il funzionamento.
L'interruttore di accensione non funziona correttamente.	Disattivare l'alimentazione.

Se il sistema NON funziona correttamente per motivi diversi da quelli sopra indicati e non risulta evidente alcuno dei malfunzionamenti sopra indicati, occorre eseguire accertamenti sul sistema attenendosi alle procedure riportate di seguito.

Malfunzionamento	Misura
Se il sistema non funziona affatto.	<ul style="list-style-type: none"> • Controllare che non si sia verificata un'interruzione dell'alimentazione. Attendere il ripristino dell'alimentazione. • Controllare che non sia intervenuto un fusibile o un interruttore. Sostituire il fusibile o riarmare l'interruttore, se del caso.
Il sistema funziona, ma il raffreddamento o il riscaldamento sono insufficienti.	<ul style="list-style-type: none"> • Controllare che l'ingresso e l'uscita dell'aria dell'unità interna o dell'unità esterna non siano ostruiti da qualche ostacolo. Rimuovere gli eventuali ostacoli e verificare che l'aria possa circolare liberamente. • Controllare che il filtro dell'aria non sia intasato (vedere "13.3.1 Pulizia del filtro dell'aria" ► 118). • Controllare l'impostazione della temperatura. • Controllare l'impostazione della velocità della ventola nell'interfaccia utente. • Verificare se ci sono porte o finestre aperte. Chiudere porte e finestre per evitare l'ingresso del vento. • Verificare che nell'ambiente non si trovino troppe persone mentre l'apparecchio è in funzione nella modalità di raffreddamento. Controllare che la sorgente di calore nell'ambiente non sia eccessiva. • Controllare che nell'ambiente non entri la luce diretta del sole. Fare uso di tende o imposte. • Verificare che la direzione del flusso dell'aria sia corretta.

Se, dopo aver controllato tutti i punti di cui sopra, risulta impossibile risolvere il problema da soli, contattare l'installatore e dichiarare i sintomi, il nome completo del modello dell'unità (possibilmente con il numero di produzione) e la data di installazione.

14.1 Risoluzione dei problemi al ventilconvettore

Il ventilconvettore non funziona

Se il ventilconvettore non funziona:

Controllare:	Se la risposta è Sì,
Il ventilconvettore è SPENTO?	ACCENDERE il ventilconvettore.
Manca la corrente?	Ripristinare l'alimentazione.
È scattato l'interruttore (fusibile)?	Contattare l'installatore o la società di assistenza.

Il ventilconvettore non raffredda o non riscalda bene

Il ventilconvettore non raffredda o non riscalda bene:

Controllare:	Se la risposta è Sì,
È presente un ostacolo vicino all'entrata o all'uscita dell'aria?	Rimuovere l'ostacolo.
Ci sono porte o finestre aperte?	Chiudere porte e finestre.
Il ventilconvettore sta funzionando a bassa velocità ?	Selezionare una velocità media oppure una velocità elevata .
I filtri dell'aria sono sporchi?	Contattare l'installatore o la società di assistenza.

15 Smaltimento

Il ventilconvettore perde acqua

Arrestare l'unità e contattare l'installatore o la società di assistenza.

In caso di funzionamento difettoso del ventilconvettore, è possibile cercare di risolvere eventuali problemi con le azioni correttive illustrate nel presente capitolo.

Se il problema persiste oppure se non è contemplato in questo capitolo, contattare l'installatore o la società di assistenza.

14.2 Riposizionamento

Rivolgersi al rivenditore per rimuovere e reinstallare l'intera unità. Per lo spostamento delle unità è necessaria un'alta competenza tecnica.

15 Smaltimento

- Le unità sono contrassegnate con il simbolo seguente:



Indica che i prodotti elettrici ed elettronici NON possono essere smaltiti insieme ai rifiuti domestici non differenziati. NON cercare di smontare il sistema da soli: lo smontaggio del sistema e il trattamento del refrigerante, dell'olio e di qualsiasi altra parte DEVONO essere eseguiti da un installatore qualificato in conformità alla legge applicabile.

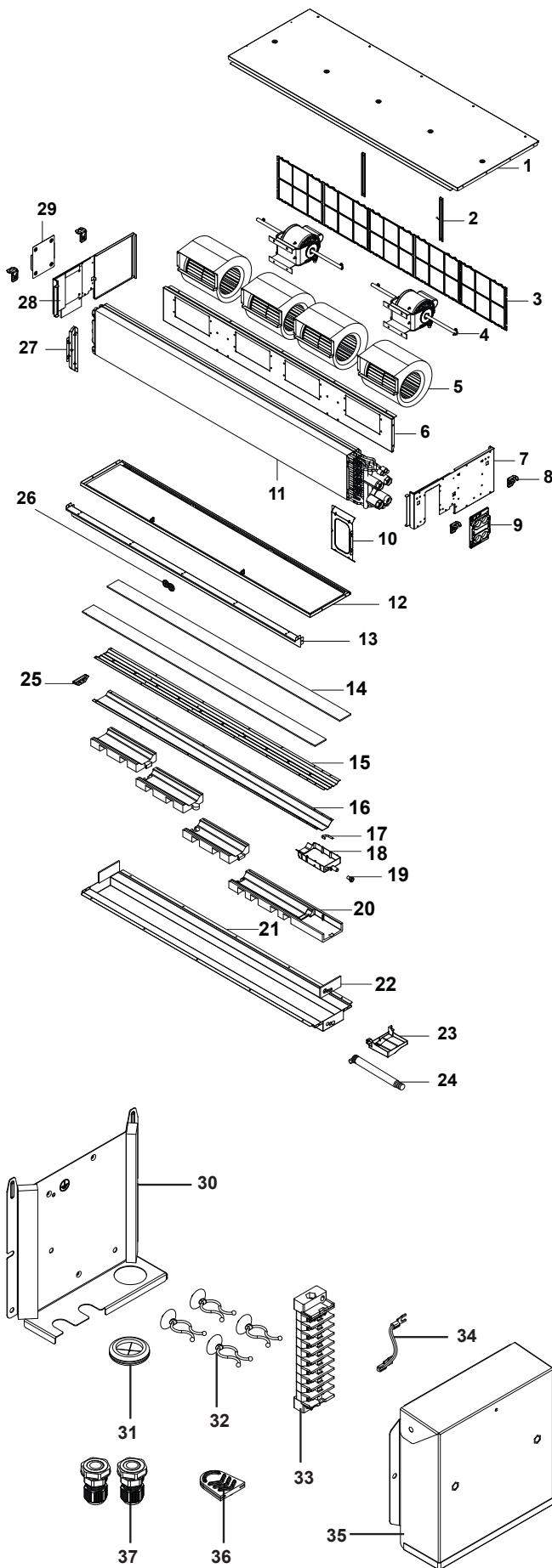
Le unità DEVONO essere trattate presso una struttura specializzata per il riutilizzo, il riciclaggio e il recupero dei materiali. Il corretto smaltimento del prodotto eviterà le possibili conseguenze negative sull'ambiente e sulla salute dell'uomo. Per ulteriori informazioni, contattare l'installatore o l'ente locale preposto.

AVVISO

NON cercare di smontare il sistema da soli: lo smontaggio del sistema e il trattamento del refrigerante, dell'olio e di qualsiasi altra parte DEVONO essere eseguiti in conformità alla legge applicabile. Le unità DEVONO essere trattate presso una struttura specializzata per il riutilizzo, il riciclaggio e il recupero dei materiali.

Dopo l'installazione, l'installatore è tenuto a verificare il corretto funzionamento. Se l'unità non funziona, contattare il rivenditore di zona.

Utilizzare lo strumento adeguato per rimuovere le viti. Il prodotto può essere smontato come mostrato sotto.



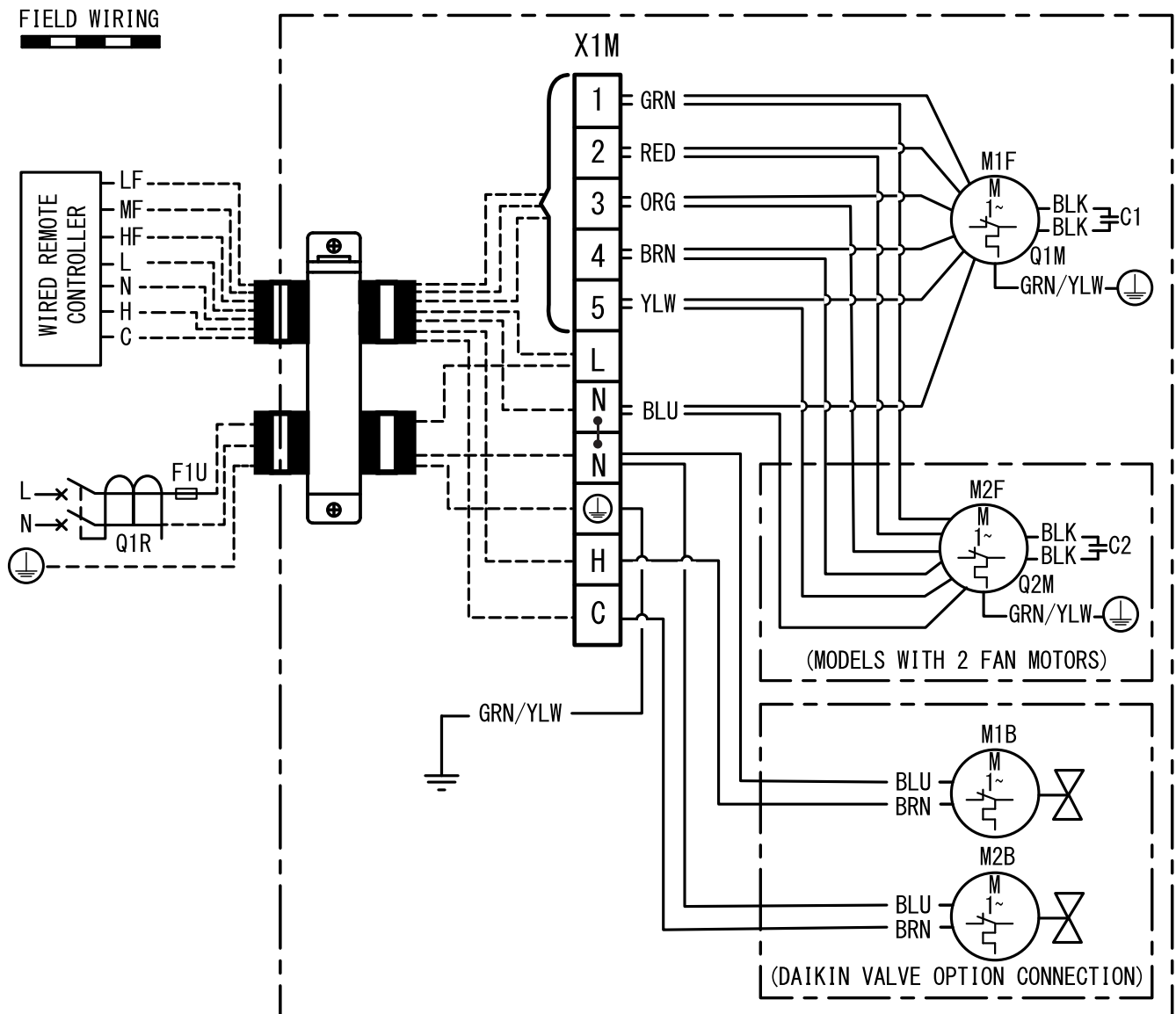
Materiali	Elemento
Componente elettrico (motore ventola + condensatore)	4
Alluminio (aletta) + rame (tubo) + acciaio zincato (piastra) + ottone +schiuma plastica	11
Plastica	9, 18, 23, 24, 32, 37
Schiuma plastica	14, 22
Plastica + metallo	33, 34

Materiali	Elemento
Plastica (telaio) + plastica (rete)	3
Acciaio zincato	2, 5, 6, 8, 13, 15, 16, 21, 27
Acciaio zincato + schiuma plastica	1, 7, 10, 12, 28, 29, 30, 35
Gomma	19, 25 26 31 36
EPP	20
Rame	17

16 Dati tecnici

Un **sottoinsieme** dei dati tecnici più recenti è disponibile sul sito web regionale Daikin (accessibile al pubblico). L'**insieme completo** dei dati tecnici più recenti è disponibile in Daikin Business Portal (è richiesta l'autenticazione).

16.1 Schema elettrico


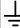


Legenda per gli schemi elettrici:

C1 , C2	Condensatore
F1U	Fusibile da reperire in loco
M1F, M2F	Motore della ventola
M1B	Attuatore del riscaldamento
M2B	Attuatore del raffreddamento

Q1M , Q2M	Protezione termica
Q1R	Interruttore differenziale
X1M	Morsetteria
L	In tensione
N	Neutro
1	Velocità più bassa

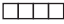

16 Dati tecnici

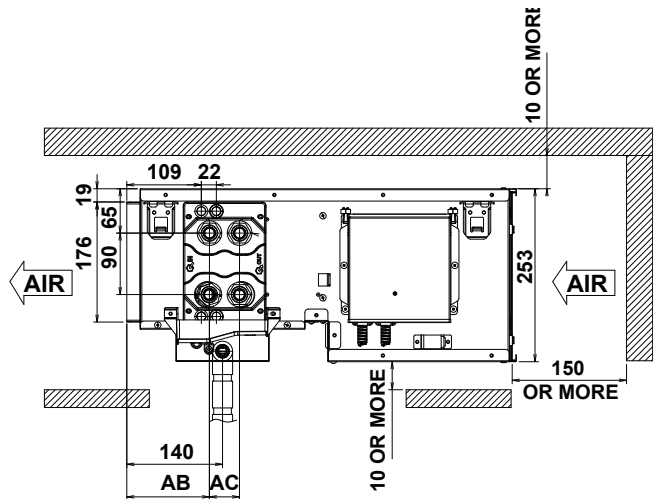
5	Velocità più alta
H	Valvola di riscaldamento
C	Valvola di raffreddamento
LF	Velocità della ventola bassa
MF	Velocità della ventola media
HF	Velocità della ventola alta
	Messa a terra di protezione
	Massa

Colori:

BLK	Nero
BLU	Blu
BRN	Marrone
GRN	Verde
ORG	Arancione
RED	Rosso
YLW	Giallo

Note:

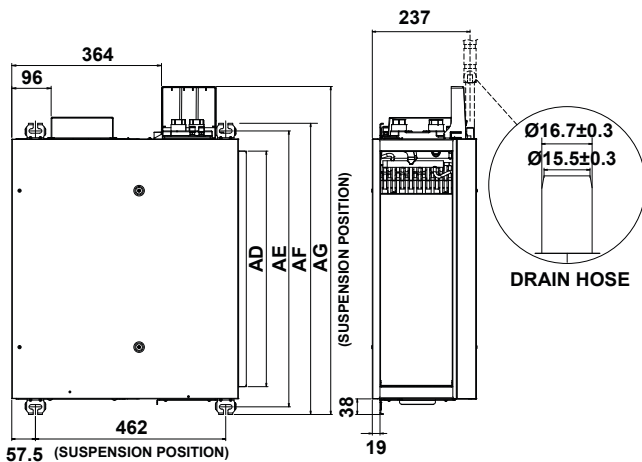
- : Morsettiera :: : Cablaggio in loco.
- Per i requisiti di alimentazione, vedere il manuale d'installazione



MODELLO	AB	AC
FWE04&05&06&08&10&12F	118	50
FWE14&16&20&24F	121	44

16.2 Dimensioni

Panoramica



MODELLO	AD	AE	AF	AG
FWE04&05 &06F	572	670	707	797
FWE08&10 &12F	877	975	1012	1102
FWE14&16 F	1187	1285	1322	1412
FWE20&24 F	1487	1585	1622	1712

17 Requisiti di informazione per la progettazione ecocompatibile

Prated,c	Prated,c	Prated,h	Pelec	LWA
<p>Prated,c (sensible)</p> <p>Prated,c (latent)</p> <p>Prated,h</p> <p>Pelec</p>	<p>Cooling capacity (sensible)</p> <p>Kühlleistung (sensibel)</p> <p>Puissance de rafraîchissement (sensible)</p> <p>Koelcapaciteit (voelbaar)</p> <p>Capacidad de refrigeración (sensibilidad)</p> <p>Capacitat de refredament (sensible)</p> <p>Απόδοση ψύξης (οσιδίτιο)</p> <p>Capacidade de arrefecimento (sensible)</p> <p>Soğutma kapasitesi (duyarlı)</p> <p>Хладопроизводительность (явна)</p> <p>Kylningskapacitet (känslig)</p> <p>Avkjølingskapasitet (følbart)</p> <p>Chladicí výkon (citelný)</p> <p>Kapacitet hlađenja (osjetljivo)</p> <p>Hűtés teljesítmény (érzékeny)</p> <p>Capacitate de răcire (fără dezumidificare)</p> <p>Moč hlađenja (zaznavna)</p> <p>Kapacita chladenia (účelná)</p> <p>Капацитет на охлаждане (практически)</p> <p>Wydajność chłodnicza (jawna)</p> <p>Koelkapacitet (mænkbart)</p> <p>Jäähdytyskapasiteetti (järkevä)</p> <p>Jahutusvõimsus (mõõdukas)</p> <p>Dzieszanias kapacitate (jūtama)</p> <p>Vésinimo galia (tikroji)</p> <p>Kapacitet i tihņjas (sensibēli)</p> <p>Kapacitet hlađenja (opipljiv)</p>	<p>Heating capacity</p> <p>Heizleistung</p> <p>Puissance de chauffage</p> <p>Verwarmingcapaciteit</p> <p>Capacidad de calefacción</p> <p>Capacitat de riscaldament</p> <p>Απόδοση θέρμανσης</p> <p>Capacidade de aquecimento</p> <p>Isitma kapasitesi</p> <p>Теплопроизводительность</p> <p>Värmekapacitet</p> <p>Oppvarmingskapasitet</p> <p>Topný výkon</p> <p>Kapacitet grijanja</p> <p>Fűtési teljesítmény</p> <p>Capacitate de încălzire</p> <p>Moč ogrevanja</p> <p>Увонок отреви</p> <p>Отоплителна моцност</p> <p>Wydajność grzewcza</p> <p>Varmekapacitet</p> <p>Lämmitysteho</p> <p>Jahutusvõimsus</p> <p>Apsildes kapacitate</p> <p>Šildymo galia</p> <p>Kapacitet i ngronhjas</p> <p>Kapacitet grijanja</p>	<p>Total electric power input</p> <p>Elektrische Gesamtleistungsaufnahme</p> <p>Entrée électrique totale</p> <p>Totaal opgenomen vermogen</p> <p>Potencia eléctrica de entrada total</p> <p>Potenza elettrica totale assorbita</p> <p>Συνολική ηλεκτρική ισχύς εισόδου</p> <p>Entrada de potencia eléctrica total</p> <p>Секілон топлам електрик гүці</p> <p>Общая потребляемая электрическая мощность</p> <p>Total effektingång</p> <p>Total elektrisk strømeffekt</p> <p>Čalkový elektrický příkon</p> <p>Ukupna primljena snaga električne energije</p> <p>Teļjas āramforrās-bemenēt</p> <p>Consum total de putere</p> <p>Skupna vhodna električna moč</p> <p>Сайковү електрик прикон</p> <p>Обща входяща електрическа мощност</p> <p>Całkowita pobierana energia elektryczna</p> <p>Sähkötöho kokonaistulo</p> <p>Total elektrisk strømforsyning</p> <p>Kogu elektriline sisendvõimsus</p> <p>Kopējā elektriskā ieejas jauda</p> <p>Бендрој електрос ватројамој галиа</p> <p>Конsumи total i енергисе електрике</p> <p>Ukupna ulazna električna snaga</p>	<p>Sound power level (per speed setting, if applicable)</p> <p>Schalleistungspegel (je Geschwindigkeitsstellung, falls zutreffend)</p> <p>Niveau de puissance sonore (par réglage de vitesse, le cas échéant)</p> <p>Geluidsvermogeniveau (per snelheidsinstelling, indien van toepassing)</p> <p>Nivel de potencia acústica (según ajuste de velocidad, si corresponde)</p> <p>Livello di potenza sonora (per velocità impostata, se applicabile)</p> <p>Συνολική ηχητική ισχύς (ανρβούρηση τοχύτης, εφόσον δικτιβέται)</p> <p>Nivel de potencia acústica (por regulación de velocidad, se aplicávele)</p> <p>Ses gücü seviyesi (mümkünse hız ayarı başına)</p> <p>Уровень звукового давления (согласно настройке скорости, если применимо)</p> <p>Ljudeffektsnivå (per hastighetsinställning, om tillämpligt)</p> <p>Nivå på lydeffekt (per hastighetsinnstilling, hvis tilgjengelig)</p> <p>Hladina akustického výkonu (dle nastavení otáček pokud je to použitelné)</p> <p>Razina jačine zvuka (postavka prema brzini, ako je primjenljivo)</p> <p>Hangerőszint (sebességszintenként, ha alkalmazható)</p> <p>Nivel presiune sonoră (în funcție de turajte, dacă este cazul)</p> <p>Raven zvočne moči (glede na nastavitev hitrosti, če se uporablja)</p> <p>Úroveň akustického tlaku (na prstlúšné nastavenie rýchlosti, ak sa použiva)</p> <p>Ниво на звуковата моцност (за различните настройки на оборотите, ако е приложимо)</p> <p>Pozioni mocy dźwięku (dla ustawienia predkości, jeśli dotyczy)</p> <p>Støjniveau (efter hastighedsindstilling hvis relevant)</p> <p>Äänen tehotoaso (nopeussäetoksen mukaan, jos sovellettävissa)</p> <p>Helivõimsuse tase (võimalusel olenvalt määratud kiirusest)</p> <p>Skaņas intensitātes līmenis (atbilstīgā gādījumā – katram ātruma iestātijumam)</p> <p>Garso galios lygis (vienai greičio nuostatai, jei taikytina)</p> <p>Niveli i fuqisē sē tingulit (pēr cilēsīm sipejētēisē, nēse aplikohet)</p> <p>Nivo zvučne snage (po podešenoj brzini, ako je primjenljivo)</p>

Prated,c (sensible)	Prated,c (latent)	Lwa	Prated,c (sensible)	Prated,c (latent)	Prated,h	Pelec	Lwa
FWE04FF	0,4	52	FWE04FT	0,4	2,7	0,058	52
FWE06FF	0,5	53	FWE06FT	0,6	3,2	0,058	52
FWE06FF	0,7	61	FWE06FT	0,8	4,2	0,082	61
FWE08FF	0,8	55	FWE08FT	0,9	5,7	0,096	54
FWE10FF	3,7	57	FWE10FT	1,0	5,9	0,103	57
FWE12FF	4,3	60	FWE12FT	1,1	6,7	0,115	61
FWE14FF	5,6	61	FWE14FT	1,4	8,3	0,175	60
FWE16FF	6,3	64	FWE16FT	1,4	9,3	0,190	64
FWE20FF	8,3	60	FWE20FT	1,9	10,9	0,191	59
FWE24FF	9,7	64	FWE24FT	2,1	12,1	0,230	64

Πίνακας περιεχομένων

1 Πληροφορίες για τα έγγραφα τεκμηρίωσης 124
 1.1 Πληροφορίες για το παρόν έγγραφο 124
 1.2 Σημασία των προειδοποιητικών ενδείξεων και των συμβόλων 125
 1.3 Γενικά 125

2 Συγκεκριμένες οδηγίες ασφάλειας τεχνικού εγκατάστασης 125

Για τον τεχνικό εγκατάστασης 126

3 Πληροφορίες για τη συσκευασία 126
 3.1 Αποσυσκευασία και χειρισμός της κλιματιστικής μονάδας 126
 3.2 Αφαίρεση των εξαρτημάτων από την κλιματιστική μονάδα 127

4 Πληροφορίες για τις μονάδες και τα προαιρετικά εξαρτήματα 127
 4.1 Αναγνώριση 127
 4.1.1 Ετικέτα αναγνώρισης: Κλιματιστική μονάδα 127

5 Εγκατάσταση μονάδας 127
 5.1 Προετοιμασία του χώρου εγκατάστασης 127
 5.2 Δυνατότητα εναλλαγής 128
 5.3 Στερέωση της μονάδας 129
 5.3.1 Για να τοποθετήσετε τα μπουλόνια ανάρτησης 129
 5.3.2 Για να στερεώσετε τη μονάδα 129
 5.4 Εγκατάσταση σωληνώσεων νερού 130
 5.4.1 Προετοιμασία των σωληνώσεων νερού 130
 5.4.2 Σύνδεση των σωλήνων νερού 130
 5.5 Εγκατάσταση σωληνώσεων αποχέτευσης 132
 5.5.1 Αρχές για την εγκατάσταση της σωλήνωσης αποστράγγισης 132
 5.5.2 Σύνδεση της σωλήνωσης αποστράγγισης 132
 5.6 Εγκατάσταση προαιρετικού εξοπλισμού 133
 5.6.1 Προετοιμασία προαιρετικού εξοπλισμού 133
 5.6.2 Σύνδεση του προαιρετικού εξοπλισμού 133

6 Εγκατάσταση ηλεκτρικών συνδέσεων 133
 6.1 Προετοιμασία των ηλεκτρικών καλωδιώσεων 133
 6.2 Σύνδεση των ηλεκτρικών καλωδίων 135

7 Έναρξη λειτουργίας 135
 7.1 Λίστα ελέγχου πριν από την έναρξη λειτουργίας 135

Για τον χρήστη 136

8 Οδηγίες ασφάλειας χειριστή 136
 8.1 Οδηγίες για ασφαλή λειτουργία 136

9 Πληροφορίες για το σύστημα 137

10 Πριν από τη λειτουργία 137

11 Λειτουργία 137
 11.1 Εύρος λειτουργίας 137

12 Εξοικονόμηση ενέργειας και βέλτιστη λειτουργία 137

13 Συντήρηση και επισκευή 138
 13.1 Προφυλάξεις ασφαλείας κατά τη συντήρηση 138
 13.2 Προφυλάξεις για τη συντήρηση και το σέρβις 138
 13.3 Καθαρισμός του φίλτρου αέρα, της σχάρας εισαγωγής αέρα, της εξαγωγής αέρα και των εξωτερικών πλαισίων 138
 13.3.1 Για να καθαρίσετε το φίλτρο αέρα 138
 13.4 Συντήρηση μετά από μεγάλη περίοδο διακοπής λειτουργίας 139
 13.5 Συντήρηση πριν από μεγάλη περίοδο διακοπής λειτουργίας 139
 13.6 Τεχνική υποστήριξη μετά την πώληση και εγγύηση 139

13.6.1 Συνιστώμενη συντήρηση και έλεγχος 139
 13.6.2 Μειωμένες περίοδοι συντήρησης και ελέγχου 139

14 Αντιμετώπιση προβλημάτων 140
 14.1 Για να επιλύσετε τα προβλήματα με την κλιματιστική μονάδα 140
 14.2 Αλλαγή θέσης 140


15 Απόρριψη 140

16 Τεχνικά χαρακτηριστικά 142
 16.1 Διάγραμμα καλωδίωσης 142
 16.2 Διαστάσεις 143

17 Απαιτήσεις στοιχείων για οικολογικό σχεδιασμό 144


1 Πληροφορίες για τα έγγραφα τεκμηρίωσης

1.1 Πληροφορίες για το παρόν έγγραφο

 **ΠΡΟΕΙΔΟΠΟΙΗΣΗ**
 Η συσκευή μπορεί να χρησιμοποιηθεί από παιδιά 8 ετών και άνω, και άτομα με μειωμένες σωματικές, αισθητηριακές ή πνευματικές ικανότητες, ή από άτομα χωρίς εμπειρία και γνώσεις, εάν τη χειρίζονται υπό επίβλεψη ή τους έχουν δοθεί οδηγίες σχετικές με την ασφαλή χρήση της συσκευής και κατανοούν τους ενδεχόμενους κινδύνους.
 ΔΕΝ πρέπει να αφήνετε παιδιά να παίζουν με τη συσκευή.
 Ο καθαρισμός και η συντήρηση από τον χρήστη ΔΕΝ ΠΡΕΠΕΙ να γίνονται από παιδιά χωρίς επίβλεψη.

Κοινό στόχος

Εξουσιοδοτημένοι τεχνικοί εγκατάστασης + τελικοί χρήστες

 **ΠΛΗΡΟΦΟΡΙΕΣ**
 Η συγκεκριμένη συσκευή προορίζεται για χρήση σε εμπορικούς, βιομηχανικούς ή επαγγελματικούς χώρους.

Σετ τεκμηρίωσης

Το παρόν έγγραφο αποτελεί μέρος πακέτου βιβλιογραφίας. Το πλήρες πακέτο αποτελείται από:

- **Γενικές προφυλάξεις ασφαλείας:**
 - Οδηγίες ασφαλείας που πρέπει να διαβάσετε πριν από την εγκατάσταση
 - Μορφή: Έντυπο (στο κουτί της εσωτερικής μονάδας)
- **Εγχειρίδιο εγκατάστασης και λειτουργίας της εσωτερικής μονάδας:**
 - Οδηγίες εγκατάστασης και χρήσης
 - Μορφή: Έντυπο (στο κουτί της εσωτερικής μονάδας)
 - Μορφή: Ψηφιακά αρχεία στον ιστότοπο <https://www.daikin.eu>. Χρησιμοποιήστε τη λειτουργία αναζήτησης 🔍 για να βρείτε το μοντέλο σας.








Η τελευταία αναθεώρηση των παρεχόμενων συνοδευτικών εγγράφων δημοσιεύεται στην περιφερειακή διαδικτυακή τοποθεσία της Daikin και είναι διαθέσιμη μέσω του αντιπροσώπου σας.

Οι πρωτότυπες οδηγίες έχουν συνταχθεί στα Αγγλικά. Οι οδηγίες σε όλες τις άλλες γλώσσες αποτελούν μετάφραση των αρχικών οδηγιών.


Τεχνικά μηχανικά δεδομένα

- **Υποσύνολο** των τελευταίων τεχνικών δεδομένων υπάρχει στην περιφερειακή ιστοσελίδα Daikin (δημόσια προσβάσιμη).
- Το **πλήρες σετ** των πιο πρόσφατων τεχνικών δεδομένων είναι διαθέσιμο στην Daikin Business Portal (απαιτείται έλεγχος ταυτότητας).

1.2 Σημασία των προειδοποιητικών ενδείξεων και των συμβόλων





	ΚΙΝΔΥΝΟΣ Υποδεικνύει μια κατάσταση που οδηγεί σε θάνατο ή σοβαρό τραυματισμό.
	ΚΙΝΔΥΝΟΣ: ΚΙΝΔΥΝΟΣ ΗΛΕΚΤΡΟΠΛΗΞΙΑΣ Υποδεικνύει μια κατάσταση που θα μπορούσε να οδηγήσει σε ηλεκτροπληξία.
	ΚΙΝΔΥΝΟΣ: ΚΙΝΔΥΝΟΣ ΕΓΚΑΥΜΑΤΟΣ Υποδεικνύει μια κατάσταση που θα μπορούσε να οδηγήσει σε κάψιμο/ εγκαύματα λόγω ακραίων υψηλών ή χαμηλών θερμοκρασιών.
	ΠΡΟΕΙΔΟΠΟΙΗΣΗ Υποδεικνύει μια κατάσταση που θα μπορούσε να οδηγήσει σε θάνατο ή σοβαρό τραυματισμό.
	ΠΡΟΣΟΧΗ Υποδεικνύει μια κατάσταση που θα μπορούσε να οδηγήσει σε ελαφρύ ή μέτριο τραυματισμό.
	ΕΙΔΟΠΟΙΗΣΗ Υποδεικνύει μια κατάσταση που θα μπορούσε να προκαλέσει ζημιά σε εξοπλισμό ή περιουσία.
	ΠΛΗΡΟΦΟΡΙΕΣ Υποδεικνύει χρήσιμες συμβουλές ή πρόσθετες πληροφορίες.


Σύμβολα που χρησιμοποιούνται στη μονάδα:


Σύμβολο	Επεξήγηση
	Πριν από την εγκατάσταση, διαβάστε το εγχειρίδιο εγκατάστασης και λειτουργίας, και το φύλλο οδηγιών καλωδίωσης.


1.3 Γενικά

Αν ΔΕΝ είστε σίγουροι για τον τρόπο εγκατάστασης ή χειρισμού της μονάδας, επικοινωνήστε με τον αντιπρόσωπό σας.


	ΠΡΟΕΙΔΟΠΟΙΗΣΗ Η ακατάλληλη εγκατάσταση ή προσάρτηση του εξοπλισμού ή των εξαρτημάτων θα μπορούσε να προκαλέσει ηλεκτροπληξία, βραχυκύκλωμα, διαρροές, πυρκαγιά ή άλλη βλάβη στον εξοπλισμό. Χρησιμοποιείτε ΜΟΝΟ εξαρτήματα, προαιρετικό εξοπλισμό και ανταλλακτικά που κατασκευάζονται ή έχουν εγκριθεί από την Daikin εκτός αν ορίζεται κάτι διαφορετικό.
	ΠΡΟΕΙΔΟΠΟΙΗΣΗ Βεβαιωθείτε ότι η εγκατάσταση, η δοκιμή και τα υλικά που εφαρμόζονται συμμορφώνονται με την ισχύουσα νομοθεσία (επιπλέον των οδηγιών που περιγράφονται στην τεκμηρίωση της Daikin).
	ΠΡΟΣΟΧΗ Φοράτε επαρκή μέσα ατομικής προστασίας (προστατευτικά γάντια, γυαλιά ασφαλείας...) κατά την εγκατάσταση, τη συντήρηση ή το σέρβις του συστήματος.
	ΠΡΟΕΙΔΟΠΟΙΗΣΗ Σκίστε και πετάξτε τα πλαστικά περιτυλίγματα της συσκευασίας, ώστε να ΜΗΝ μπορεί κανείς, και ειδικά τα παιδιά, να παίξει με αυτά. Πιθανή συνέπεια: ασφυξία.

 **ΠΡΟΕΙΔΟΠΟΙΗΣΗ**
Παρέχετε επαρκή μέτρα για να αποτρέψετε τη χρήση της μονάδας ως καταφύγιο από μικρά ζώα. Τα μικρά ζώα που έρχονται σε επαφή με ηλεκτρικά μέρη μπορεί να προκαλέσουν δυσλειτουργίες, καπνό ή φωτιά.


 **ΠΡΟΣΟΧΗ**
ΜΗΝ αγγίζετε την είσοδο αέρα ή τα αλουμιένια πτερύγια της μονάδας.

 **ΠΡΟΣΟΧΗ**


- ΜΗΝ τοποθετείτε αντικείμενα ή εξοπλισμό πάνω στη μονάδα.
- ΜΗΝ κάθεστε, ανεβαίνετε ή στέκεστε πάνω στη μονάδα.


 **ΚΙΝΔΥΝΟΣ: ΚΙΝΔΥΝΟΣ ΗΛΕΚΤΡΟΠΛΗΞΙΑΣ**


- Βεβαιωθείτε ότι το σύστημα είναι σωστά γειωμένο.
- Διακόψτε την παροχή ηλεκτρικού ρεύματος πριν από την πραγματοποίηση εργασιών συντήρησης.
- Τοποθετήστε το καπάκι του ηλεκτρικού πίνακα πριν ενεργοποιήσετε την παροχή ρεύματος.

 **ΠΡΟΣΟΧΗ**

- Ελέγξτε εάν η θέση εγκατάστασης μπορεί να σηκώσει το βάρος της μονάδας. Η κακή εγκατάσταση είναι επικίνδυνη. Μπορεί να προκαλέσει κραδασμούς ή ασυνήθη θόρυβο κατά τη λειτουργία.
- Εξασφαλίστε επαρκή χώρο για τη συντήρηση.
- ΜΗΝ εγκαθιστάτε τη μονάδα σε επαφή με οροφή ή τοίχο, καθώς αυτό θα μπορούσε να προκαλέσει κραδασμούς.


 **ΚΙΝΔΥΝΟΣ: ΚΙΝΔΥΝΟΣ ΗΛΕΚΤΡΟΠΛΗΞΙΑΣ**
ΜΗΝ χρησιμοποιείτε τις κλιματιστικές μονάδες με βρεγμένα χέρια. Μπορεί να προκληθεί ηλεκτροπληξία.

 **ΠΡΟΕΙΔΟΠΟΙΗΣΗ**
Αυτή η μονάδα περιέχει ηλεκτρικά εξαρτήματα που μπορεί να καίνε.

 **ΠΡΟΕΙΔΟΠΟΙΗΣΗ**
Εάν το καλώδιο τροφοδοσίας είναι κατεστραμμένο, ΠΡΕΠΕΙ να αντικατασταθεί από τον κατασκευαστή, τον αντιπρόσωπο συντήρησης ή άλλα άτομα με παρόμοια προσόντα, προς αποφυγή κινδύνου.

2 Συγκεκριμένες οδηγίες ασφάλειας τεχνικού εγκατάστασης

Να τηρείτε πάντα τις ακόλουθες οδηγίες και κανονισμούς ασφάλειας.

 **ΠΡΟΕΙΔΟΠΟΙΗΣΗ**
Βεβαιωθείτε ότι η εγκατάσταση, συντήρηση και επισκευή συμμορφώνονται με τις οδηγίες από την Daikin και με την ισχύουσα νομοθεσία (π.χ. τον εθνικό κανονισμό περί αερίων) και πραγματοποιούνται ΜΟΝΟ από εξουσιοδοτημένα άτομα.

3 Πληροφορίες για τη συσκευασία

ΠΡΟΕΙΔΟΠΟΙΗΣΗ

Η εγκατάσταση πρέπει να πραγματοποιείται από έναν τεχνικό εγκατάστασης και η επιλογή υλικών και εγκατάστασης πρέπει να συμμορφώνεται με την ισχύουσα νομοθεσία. Στην Ευρώπη ισχύει το πρότυπο EN378.

ΠΡΟΕΙΔΟΠΟΙΗΣΗ

Διατηρείτε την καλωδίωση διασύνδεσης μακριά από μη θερμομονωμένους χάλκινους σωλήνες καθώς αυτοί οι σωλήνες θα είναι πολύ ζεστοί.

ΠΡΟΣΟΧΗ

Σε τοίχους που περιέχουν μεταλλικό σκελετό ή μεταλλική πλάκα, χρησιμοποιήστε εντοιχισμένο σωλήνα και προστατευτικό πλαίσιο στην οπή διέλευσης για να αποτρέψετε ενδεχόμενη ανάπτυξη θερμότητας, ηλεκτροπληξία ή πυρκαγιά.

ΕΙΔΟΠΟΙΗΣΗ

- Οι σωληνώσεις θα στερεώνονται με ασφάλεια και προστατεύονται από φυσικές ζημιές.
- Διατηρήστε τις εγκαταστάσεις σωληνώσεων στο ελάχιστο δυνατόν.

ΠΡΟΕΙΔΟΠΟΙΗΣΗ

- ΜΗΝ χρησιμοποιείτε στο εσωτερικό του προϊόντος ηλεκτρικά εξαρτήματα που αγοράσατε από τοπικά καταστήματα.
- ΜΗΝ διακλαδώνετε την παροχή ηλεκτρικού ρεύματος για τη βαλβίδα κλπ., από κλέμα. Κάτι τέτοιο θα μπορούσε να οδηγήσει σε ηλεκτροπληξία ή πυρκαγιά.

Για τον τεχνικό εγκατάστασης

3 Πληροφορίες για τη συσκευασία

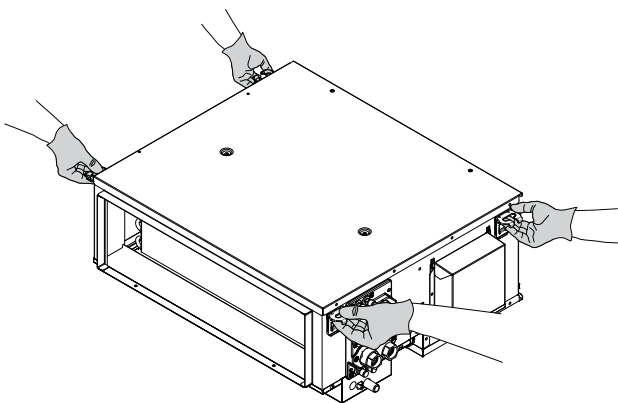
Λάβετε υπόψη τα εξής:

- Κατά την παράδοση, η μονάδα ΠΡΕΠΕΙ να ελέγχεται για ζημιές και ως προς την πληρότητα. Αν υπάρχουν ζημιές ή λείπουν εξαρτήματα, αυτό ΠΡΕΠΕΙ να αναφέρεται αμέσως στον εκπρόσωπο αξιώσεων της μεταφορικής εταιρείας.
- Μεταφέρετε τη μονάδα όσο το δυνατόν πλησιέστερα στην τελική θέση εγκατάστασης, ώστε να αποφευχθούν ζημιές κατά τη μεταφορά.
- Ετοιμάστε εκ των προτέρων τη διαδρομή που θα ακολουθήσει η μονάδα κατά τη μεταφορά της στην τελική θέση εγκατάστασης.

3.1 Αποσυσκευασία και χειρισμός της κλιματιστικής μονάδας

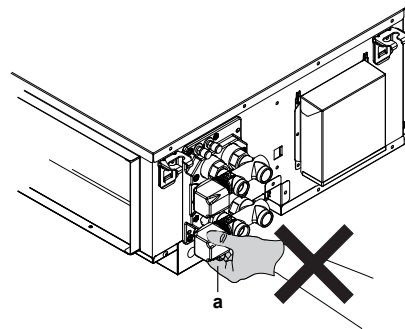
Για την ανύψωση της μονάδας χρησιμοποιήστε αρτάνη από μαλακό υλικό ή σχοινί και προστατευτικά φύλλα. Αυτό γίνεται για την αποτροπή ζημιάς ή εκδορών στη μονάδα.

- 1 Σηκώνετε τη μονάδα από τους βραχίονες ανάρτησης, χωρίς να ασκείτε πίεση σε άλλα εξαρτήματα, ειδικά στον αγωγό αποχέτευσης και στη θερμομόνωση.



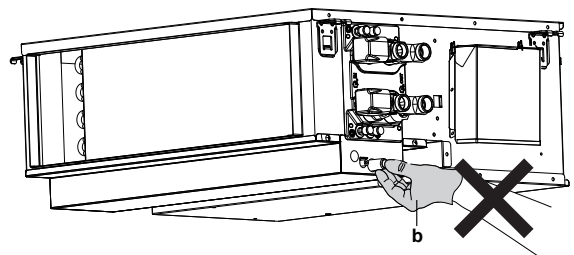
ΕΙΔΟΠΟΙΗΣΗ

ΜΗΝ σηκώνετε τη μονάδα από τους ενεργοποιητές βαλβίδας (a).



ΕΙΔΟΠΟΙΗΣΗ

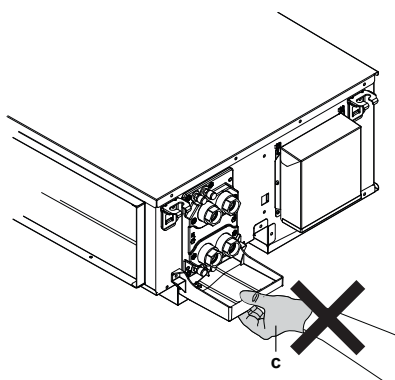
ΜΗΝ σηκώνετε τη μονάδα από την υποδοχή της λεκάνης αποχέτευσης (b).



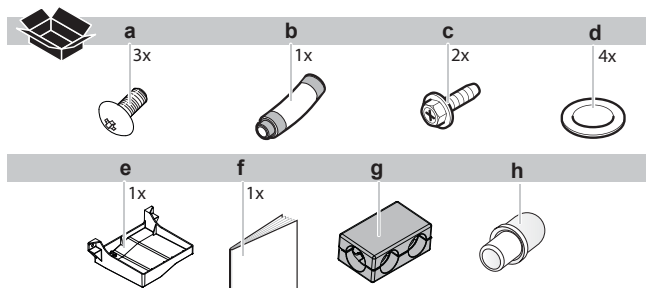
4 Πληροφορίες για τις μονάδες και τα προαιρετικά εξαρτήματα

! ΕΙΔΟΠΟΙΗΣΗ

ΜΗΝ σηκώνετε τη μονάδα από τη λεκάνη κάτω από την υποδοχή αποχέτευσης (c).



3.2 Αφαίρεση των εξαρτημάτων από την κλιματιστική μονάδα



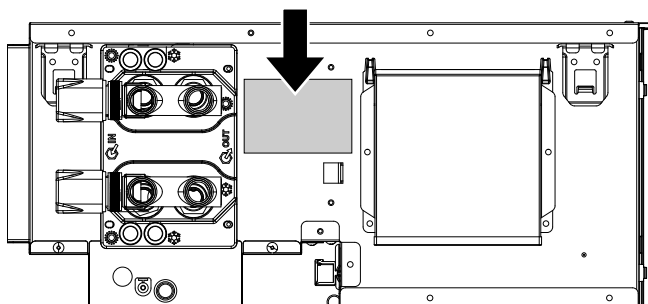
- a Βίδα M4 για τη λεκάνη κάτω από την αποχέτευση 2x και τον εύκαμπτο σωλήνα αποχέτευσης 1x
- b Εύκαμπτος σωλήνας αποχέτευσης
- c Βίδα M5 για το FWEC5AP 2x
- d Παρέμβυσμα στεγανοποίησης
- e Λεκάνη κάτω από την υποδοχή αποχέτευσης
- f Εγχειρίδιο εγκατάστασης και λειτουργίας
- g Θερμομόνωση για βαλβίδες (2 σωλήνων: 1x και 4 σωλήνων: 2x) (*)
- h Κάλυμμα εκχείλωσης
- * Μόνο μοντέλα με εργοστασιακά εγκατεστημένη βαλβίδα

4 Πληροφορίες για τις μονάδες και τα προαιρετικά εξαρτήματα

4.1 Αναγνώριση

4.1.1 Ετικέτα αναγνώρισης: Κλιματιστική μονάδα

Θέση



Στοιχεία μοντέλου

Παράδειγμα: FW E 04 F A T N 5 V3 --

Κωδικός	Περιγραφή
FW	Κλιματιστική μονάδα νερού
E	Χαμηλή ESP αεραγωγού
F	Κύρια σειρά μοντέλου
A	Μικρή αλλαγή μοντέλου
T	2 σωλήνων
F	4 σωλήνων
N	Χωρίς βαλβίδα
V	Τρίοδη βαλβίδα (ON/OFF - 230 V)
T	Δίοδη βαλβίδα (ON/OFF - 230 V)
5	Εργοστάσιο Hendek
V1	1 φάση / 50 Hz / 220-240 V
-	Καμία επιλογή
-	Αριστερή πλευρά νερό, αριστερή πλευρά ηλεκτρολογική σύνδεση
R	Δεξιά πλευρά νερό, δεξιά πλευρά ηλεκτρολογική σύνδεση

5 Εγκατάσταση μονάδας

5.1 Προετοιμασία του χώρου εγκατάστασης



ΠΡΟΕΙΔΟΠΟΙΗΣΗ

Χρησιμοποιείτε ΠΑΝΤΑ μη εύφλεκτους αεραγωγούς, θερμομονώσεις και συνδέσμους. Τα εύφλεκτα υλικά ενδέχεται να προκαλέσουν φωτιά.



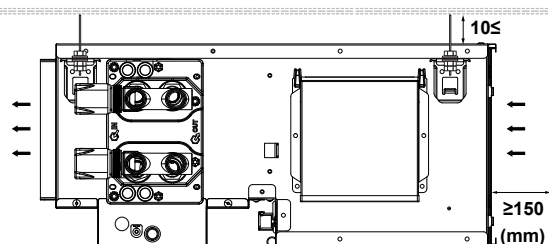
ΕΙΔΟΠΟΙΗΣΗ

Η μονάδα πρέπει να εγκατασταθεί σε ύψος $\geq 2,5$ m από το δάπεδο.



ΕΙΔΟΠΟΙΗΣΗ

Το κενό μεταξύ της οροφής και της μονάδας θα πρέπει να είναι ≥ 10 mm και ο χώρος αναρρόφησης πρέπει να είναι ≥ 150 mm.



ΠΛΗΡΟΦΟΡΙΕΣ

Το επίπεδο ηχητικής πίεσης είναι χαμηλότερο από 70 dBA.



ΠΡΟΣΟΧΗ

Η ΣΥΣΚΕΥΗ δεν είναι προσβάσιμη για το ευρύ κοινό. Εγκαταστήστε τη σε ασφαλή χώρο, που δεν επιτρέπει την εύκολη πρόσβαση.

Αυτή η μονάδα είναι κατάλληλη για εγκατάσταση σε εμπορικά καταστήματα και χώρους ελαφριάς βιομηχανίας.

5 Εγκατάσταση μονάδας

! ΕΙΔΟΠΟΙΗΣΗ

Όταν ΔΕΝ είναι δυνατή η εγκατάσταση από το κάτω μέρος, όπως στην περίπτωση οροφών πολύ μεγάλου ύψους, η πρόσβαση στη μονάδα για εγκατάσταση και συντήρηση θα πρέπει να είναι δυνατή από το επάνω μέρος της οροφής.

Επιλέξτε μια θέση εγκατάστασης στην οποία τηρούνται οι παρακάτω προϋποθέσεις και ανταποκρίνεται στις απαιτήσεις του πελάτη σας.

- Ο χώρος γύρω από τη μονάδα είναι επαρκής για εργασίες συντήρησης και επισκευής. Ο χώρος γύρω από τη μονάδα επιτρέπει την επαρκή κυκλοφορία και διανομή του αέρα. Δείτε την ενότητα για τον απαιτούμενο χώρο για εγκατάσταση.
- Βεβαιωθείτε ότι το σημείο αερίζεται καλά. ΜΗΝ φράσετε τα ανοίγματα αερισμού.
- Βεβαιωθείτε ότι η τοποθεσία της εγκατάστασης αντέχει το βάρος και τις δονήσεις της μονάδας.
- Φροντίστε ώστε, σε περίπτωση διαρροής νερού, το νερό να μην προκαλέσει ζημιές στον χώρο εγκατάστασης και στον περιβάλλοντα χώρο.
- Επιλέξτε θέση στην οποία ο θόρυβος λειτουργίας ή ο ζεστός/κρύος αέρας που εξέρχεται από τη μονάδα δεν θα προκαλεί ενόχληση σε οποιονδήποτε και η οποία είναι σύμφωνη με την ισχύουσα νομοθεσία.
- **Αποστράγγιση.** Βεβαιωθείτε ότι το νερό της συμπύκνωσης αποστραγγίζεται κανονικά.
- Σε χώρους με αδύναμο σήμα, τηρήστε απόσταση 3 m ή μεγαλύτερη για να αποφύγετε την ηλεκτρομαγνητική παρεμβολή άλλων μηχανημάτων και χρησιμοποιήστε αγωγούς για τις ηλεκτρικές γραμμές και τις γραμμές μετάδοσης.
- **Φώτα φθορισμού.** Όταν εγκαθιστάτε ένα ασύρματο τηλεχειριστήριο σε δωμάτιο με φώτα φθορισμού, δώστε προσοχή στα εξής για να αποφύγετε παρεμβολές:
 - Τοποθετήστε το ασύρματο τηλεχειριστήριο όσο το δυνατόν πιο κοντά στην εσωτερική μονάδα.
 - Τοποθετήστε την εσωτερική μονάδα όσο το δυνατόν πιο μακριά από τα φώτα φθορισμού.

ΜΗΝ εγκαθιστάτε τη μονάδα σε χώρους που χρησιμοποιούνται συχνά ως χώροι εργασίας. Στην περίπτωση οικοδομικών εργασιών (π.χ. εργασίες λείανσης) όπου δημιουργείται μεγάλη ποσότητα σκόνης, η μονάδα ΠΡΕΠΕΙ να είναι καλυμμένη.

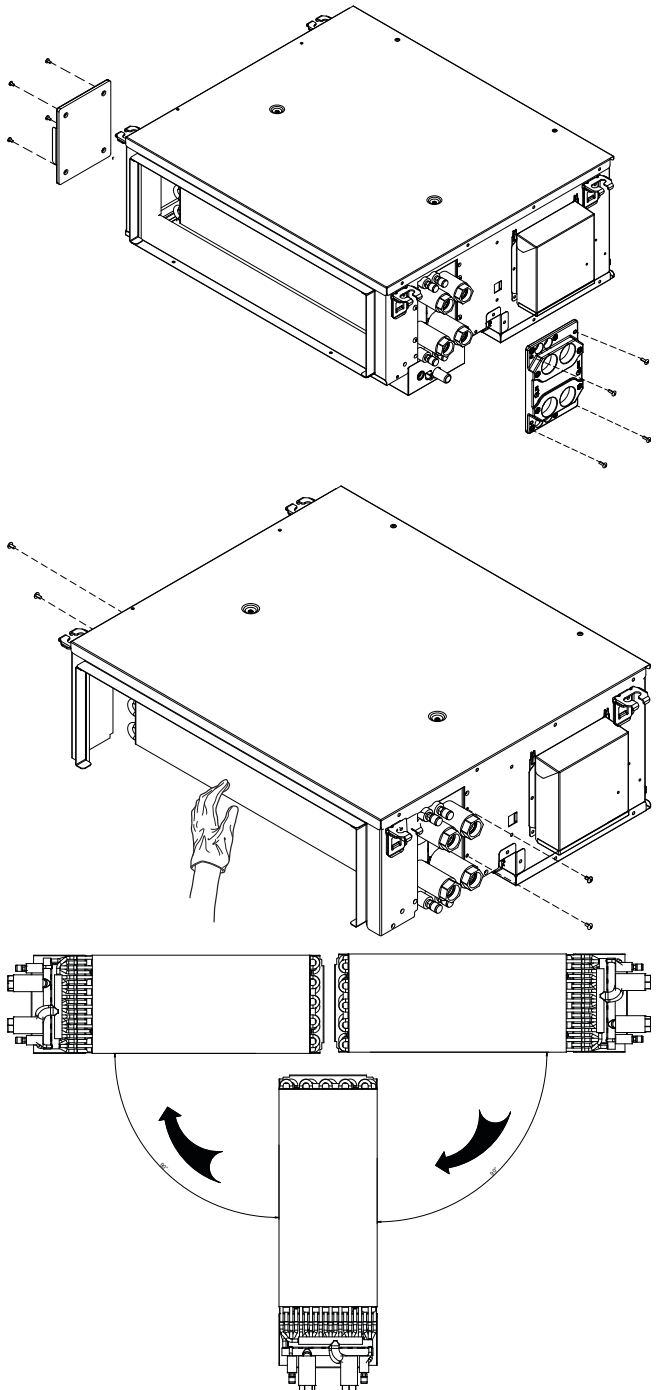
Μην εγκαθιστάτε ή χειρίζεστε τη μονάδα στους χώρους που αναφέρονται παρακάτω.

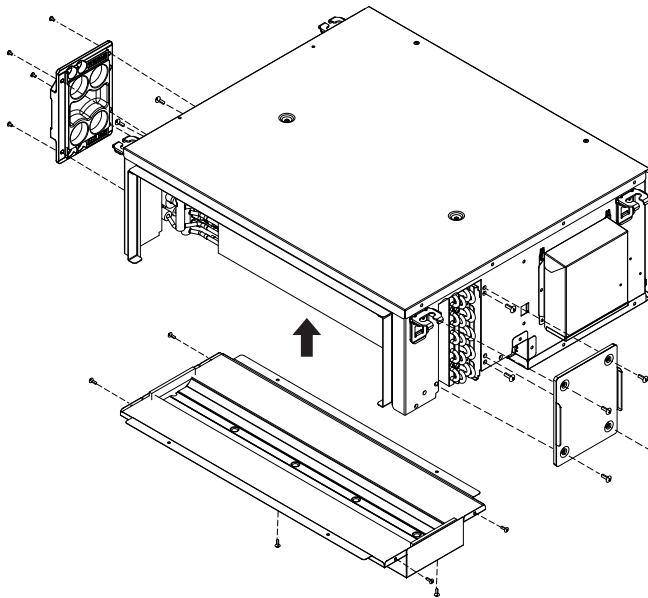
- Σε χώρους με παρουσία ορυκτελαίου ή ατμών ή εκνεφωμάτων λαδιού, όπως οι κουζίνες (τα πλαστικά εξαρτήματα ίσως παρουσιάσουν φθορά).
- Σε χώρους όπου υπάρχει διαβρωτικό αέριο, όπως το θειούχο αέριο. Οι χαλκοσωλήνες και τα σημεία συγκόλλησης μπορεί να διαβρωθούν.
- Χώροι στους οποίους ο αέρας έχει υψηλή συγκέντρωση αλατιού, όπως εκείνοι που βρίσκονται σε παραθαλάσσιες περιοχές ή εκείνοι στους οποίους παρουσιάζονται υψηλές διακυμάνσεις τάσης (π.χ. σε εργοστάσια). Επίσης σε οχήματα ή σκάφη.
- Σε σημεία όπου υπάρχουν μηχανήματα που εκπέμπουν ηλεκτρομαγνητικά κύματα. Τα ηλεκτρομαγνητικά κύματα μπορεί να διαταράξουν το σύστημα ελέγχου και να προκαλέσουν δυσλειτουργία της συσκευής.
- Σε σημεία όπου υπάρχει κίνδυνος πυρκαγιάς λόγω διαρροής εύφλεκτων αερίων (παράδειγμα: αραιωτικά ή βενζίνη), ανθρακοϊνών, αναφλέξιμης σκόνης.
- Η μονάδα ΔΕΝ μπορεί να εγκατασταθεί σε μπάνιο.

5.2 Δυνατότητα εναλλαγής

Η κατεύθυνση του προϊόντος πρέπει να αλλάξει στο έδαφος.

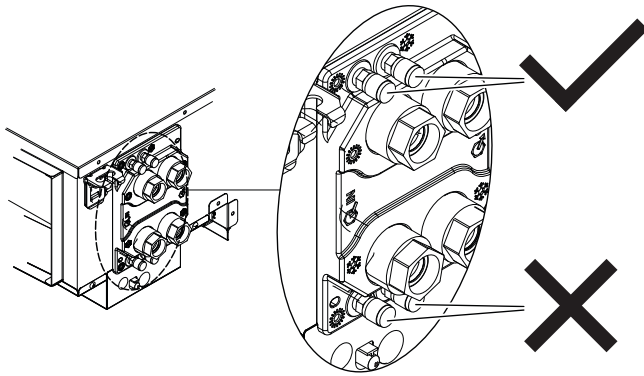
Αφαιρέστε τη λαμαρίνα του καλύμματος στην πλευρική πλάκα της μονάδας.





ΕΙΔΟΠΟΙΗΣΗ

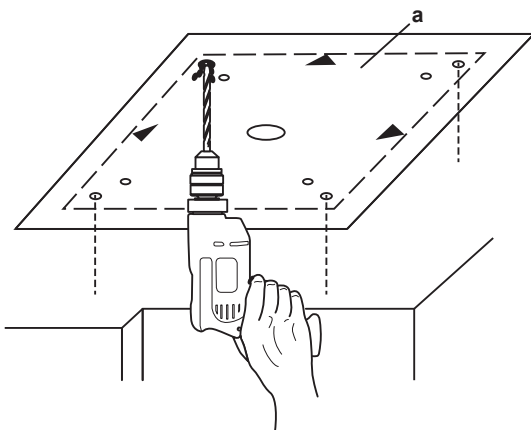
Να χρησιμοποιείτε πάντα τις επάνω εξαερώσεις.



5.3 Στερέωση της μονάδας

5.3.1 Για να τοποθετήσετε τα μπουλόνια ανάρτησης

Χρησιμοποιήστε το σχέδιο για να καθορίσετε τις θέσεις των μπουλονιών ανάρτησης (άνω μέρος της συσκευασίας). Οι θέσεις των μπουλονιών ανάρτησης υποδεικνύονται στο χάρτινο σχέδιο. Η διάτρηση των οπών μπορεί να γίνει τοποθετώντας το χάρτινο σχέδιο επάνω στην οροφή.

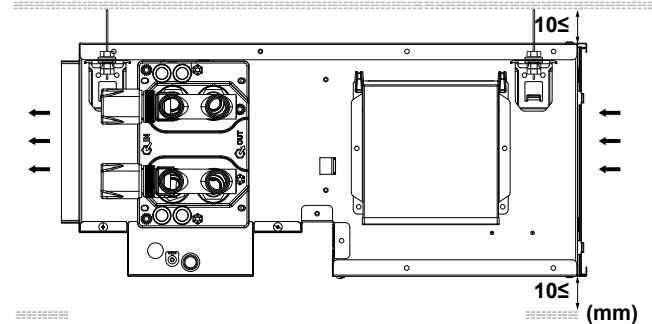


a Χάρτινο σχέδιο για την εγκατάσταση. (άνω μέρος της συσκευασίας)

5.3.2 Για να στερεώσετε τη μονάδα

Διαμορφώστε το απαραίτητο άνοιγμα στην οροφή για την εγκατάσταση σε κατάλληλη θέση. Ίσως χρειαστεί να ενισχύσετε τον σκελετό της ψευδοροφής ώστε η ψευδοροφή να διατηρείται οριζόντια και να μην προκαλούνται κραδασμοί.

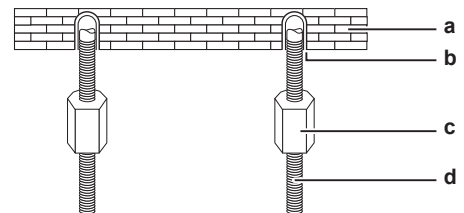
Συμβουλευτείτε τον κατασκευαστή για λεπτομέρειες.



- **Αντοχή οροφής.** Βεβαιωθείτε ότι η οροφή είναι αρκετά ανθεκτική για να αντέξει το βάρος της μονάδας. Εάν υπάρχει κάποιος κίνδυνος, ενισχύστε την οροφή πριν εγκαταστήσετε τη μονάδα.

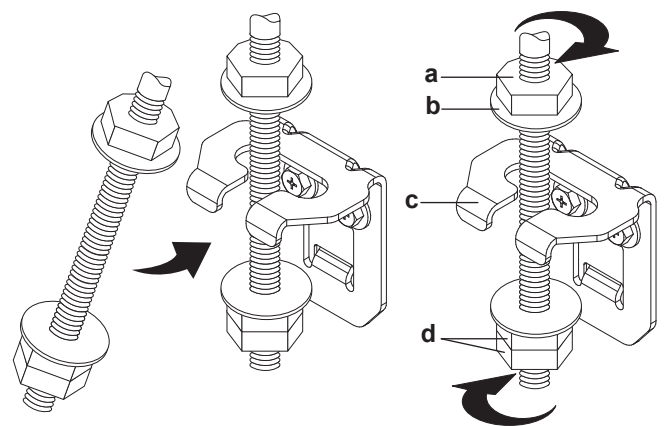
- Για υπάρχουσες οροφές, χρησιμοποιήστε αγκύρια.

- Για νέες οροφές, χρησιμοποιήστε χωνευτά ένθετα, χωνευτά αγκύρια ή άλλα εξαρτήματα από του εμπορίου.



- a Πλάκα οροφής
- b Άγκιστρο
- c Μακρύ παξιμάδι ή περιστρεφόμενο κομβίο
- d Μπουλόνι ανάρτησης

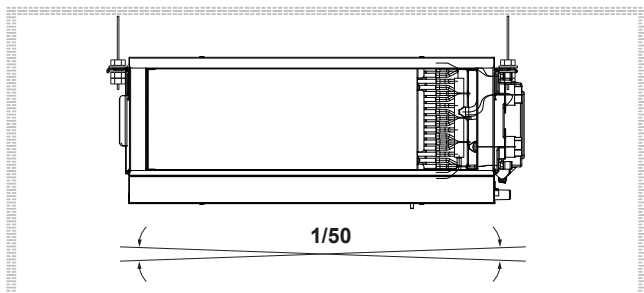
- **Ντίζες ανάρτησης.** Χρησιμοποιήστε μπουλόνια ανάρτησης M8-M10 για την εγκατάσταση. Συνδέστε τον βραχίονα ανάρτησης στο μπουλόνι ανάρτησης. Στερεώστε τον καλά χρησιμοποιώντας παξιμάδι και ροδέλα στην πάνω και την κάτω πλευρά του βραχίονα ανάρτησης.



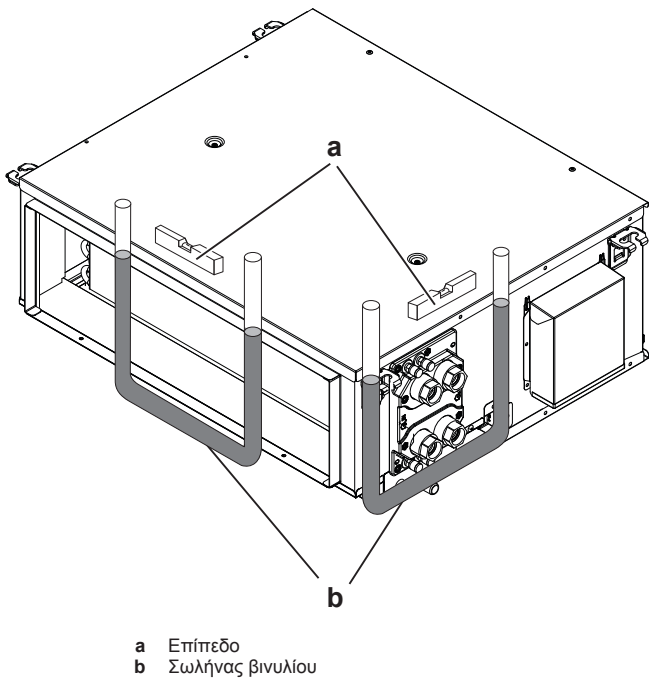
- a Παξιμάδι (του εμπορίου)
- b Ροδέλα (από το εμπόριο)
- c Βραχίονας ανάρτησης
- d Διπλό παξιμάδι (του εμπορίου)

- Προσαρμόστε τη μονάδα στη σωστή θέση για την εγκατάσταση.

5 Εγκατάσταση μονάδας



- Ελέγξτε αν η μονάδα είναι σε οριζόντια θέση.
- **Οριζόντια.** Βεβαιωθείτε, ότι η μονάδα είναι σταθμισμένη και στις 4 γωνίες χρησιμοποιώντας αλφάδι ή αλφαδολάστιχο.



a Επίπεδο
b Σωλήνας βινυλίου

ΕΙΔΟΠΟΙΗΣΗ

ΜΗΝ εγκαθιστάτε τη μονάδα υπό κλίση. **Πιθανή συνέπεια:** Εάν η μονάδα έχει κλίση αντίθετη προς την κατεύθυνση της συμπύκνωσης (η πλευρά του σωλήνα αποστράγγισης είναι ψηλότερα), μπορεί να στάζει νερό.

5.4 Εγκατάσταση σωληνώσεων νερού

5.4.1 Προετοιμασία των σωληνώσεων νερού

Πριν από την υλοποίηση των σωληνώσεων νερού, ελέγξτε τα παρακάτω σημεία:

- Η μέγιστη τιμή πίεσης νερού είναι 1,6 MPa.
- Η μονάδα είναι εξοπλισμένη με είσοδο και έξοδο νερού για σύνδεση στο δίκτυο νερού. Το δίκτυο νερού πρέπει να παρασχεθεί από τεχνικό εγκατάστασης και πρέπει να συμμορφώνεται προς την ισχύουσα νομοθεσία.
- Η ελάχιστη θερμοκρασία νερού είναι 5°C.
- Η μέγιστη θερμοκρασία νερού είναι 90°C.
- Φροντίστε να εγκαταστήσετε εξαρτήματα στις σωληνώσεις του χώρου εγκατάστασης που μπορούν να αντέξουν την πίεση και τη θερμοκρασία του νερού.
- Εγκαταστήστε ικανοποιητικά μέτρα προστασίας στο κύκλωμα νερού για να διασφαλίσετε ότι η πίεση του νερού δεν θα ξεπεράσει ποτέ την μέγιστη επιτρεπόμενη πίεση λειτουργίας.

- Εξασφαλίστε κατάλληλη αποστράγγιση για τη βαλβίδα ανακούφισης πίεσης (αν έχει εγκατασταθεί), προκειμένου να αποτρέψετε την επαφή νερού με ηλεκτρικά εξαρτήματα.
- Εγκαταστήστε βαλβίδες αποκοπής στη μονάδα, ώστε να είναι δυνατή η διεξαγωγή των τυπικών εργασιών συντήρησης χωρίς αποστράγγιση του συστήματος.
- Εγκαταστήστε τάπες αποστράγγισης σε όλα τα χαμηλά σημεία του συστήματος, για να επιτρέπουν την πλήρη αποστράγγιση του κυκλώματος κατά τη διάρκεια της συντήρησης ή της επισκευής της μονάδας.
- Εγκαταστήστε βαλβίδες εξαέρωσης σε όλα τα υψηλά σημεία του συστήματος. Οι βαλβίδες θα πρέπει να βρίσκονται σε σημεία, όπου θα είναι εύκολα προσβάσιμες για συντήρηση.
- Προστατέψτε την τοπική σωλήνωση από φυσικές ζημιές.



ΕΙΔΟΠΟΙΗΣΗ

Βεβαιωθείτε ότι η ποιότητα του νερού συμμορφώνεται με την οδηγία 2020/2184 της ΕΕ.



ΕΙΔΟΠΟΙΗΣΗ

Επιτρέπεται η χρήση γλυκόλης, αλλά η ποσότητα ΔΕΝ πρέπει να υπερβαίνει το 40% του όγκου. Μεγαλύτερη ποσότητα γλυκόλης πιθανόν να προκαλέσει ζημιά στα υδραυλικά μέρη.

5.4.2 Σύνδεση των σωληνών νερού



ΠΡΟΣΟΧΗ

Χρησιμοποιείτε πάντα βαλβίδες για τον έλεγχο της κυκλοφορίας του νερού στη μονάδα. Εάν η κλιματιστική μονάδα είναι απενεργοποιημένη, αλλά εξακολουθεί να κυκλοφορεί νερό στη μονάδα, θα προκληθεί συμπίκνωση στη μονάδα και ίσως στάξει νερό.



ΕΙΔΟΠΟΙΗΣΗ

Μην εξασκείτε υπερβολική δύναμη κατά τη σύνδεση των σωληνώσεων. Αυτό μπορεί να προκαλέσει παραμόρφωση των σωληνώσεων της μονάδας. Παραμορφωμένες σωληνώσεις ενδέχεται να προκαλέσουν δυσλειτουργία της μονάδας.

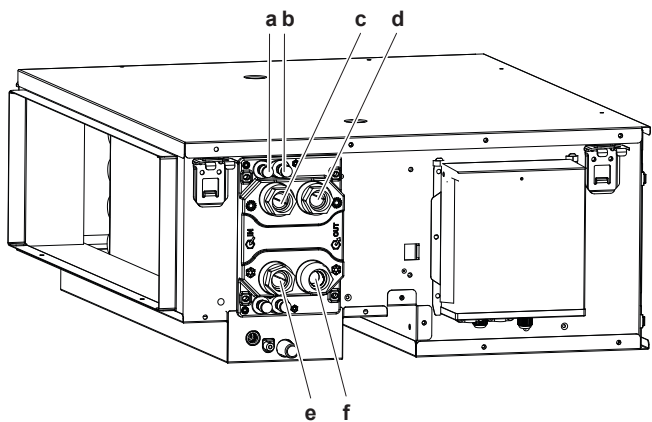


ΕΙΔΟΠΟΙΗΣΗ

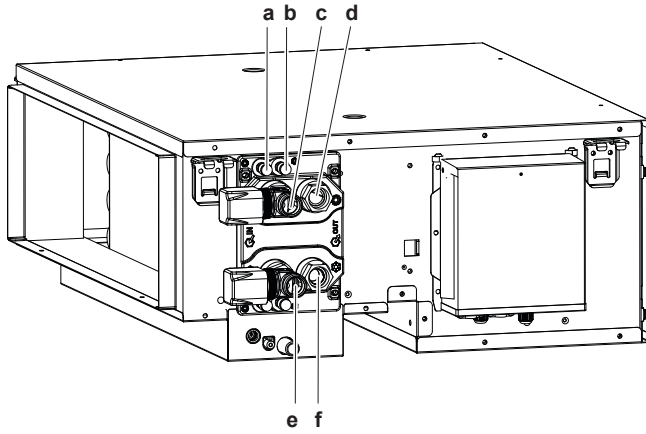
Φροντίστε να μονώσετε όλες τις σωληνώσεις. Οποιαδήποτε εκτεθειμένη σωλήνωση ενδέχεται να προκαλέσει συμπίκνωση.



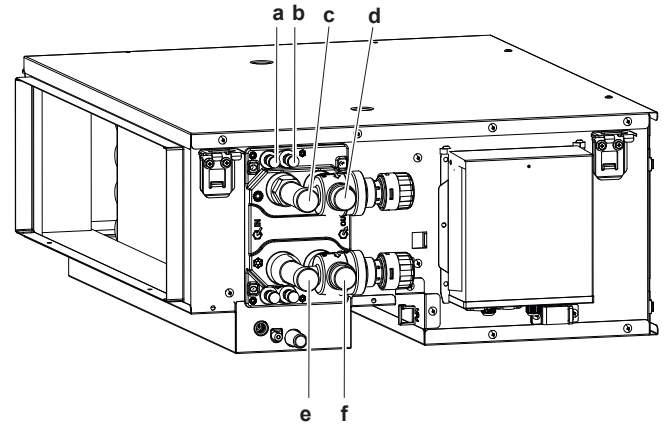
ΚΙΝΔΥΝΟΣ: ΚΙΝΔΥΝΟΣ ΕΓΚΑΥΜΑΤΟΣ



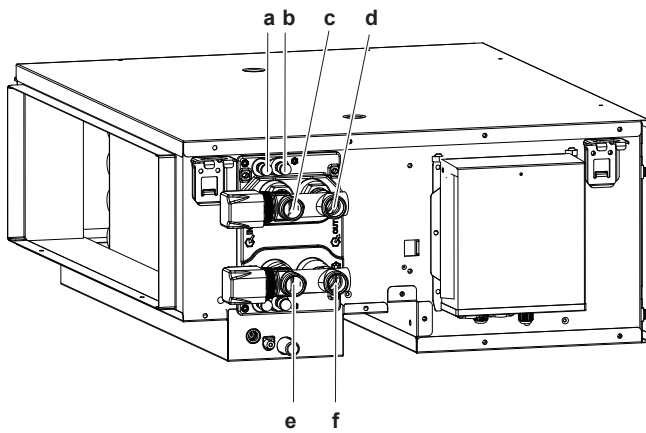
a Εξαέρωση θέρμανσης
b Εξαέρωση ψύξης
c Είσοδος ζεστού νερού (3/4" θηλυκός BSP)
d Έξοδος ζεστού νερού (3/4" θηλυκός BSP)
e Είσοδος ψύξης (3/4" θηλυκός BSP)
f Έξοδος ψύξης (3/4" θηλυκός BSP)



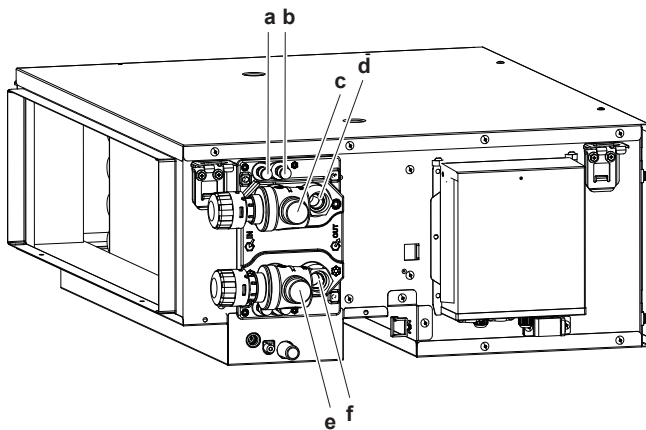
- a Εξαέρωση θέρμανσης
- b Εξαέρωση ψύξης
- c Είσοδος ζεστού νερού (Ονομαστική διάμετρος 3/4")
- d Έξοδος ζεστού νερού (3/4" θηλυκός BSP)
- e Είσοδος ψύξης (DN3/4")
- f Έξοδος ψύξης (3/4" θηλυκός BSP)



- a Εξαέρωση θέρμανσης
- b Εξαέρωση ψύξης
- c Είσοδος ζεστού νερού (Ονομαστική διάμετρος 3/4")
- d Έξοδος ζεστού νερού (Ονομαστική διάμετρος 3/4")
- e Είσοδος κρύου νερού (Ονομαστική διάμετρος 3/4")
- f Έξοδος κρύου νερού (Ονομαστική διάμετρος 3/4")

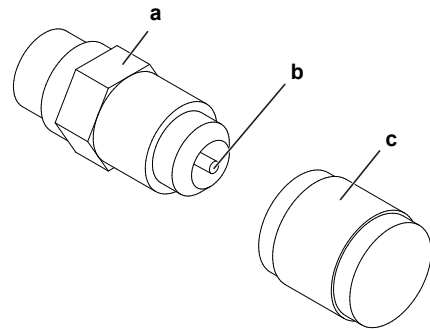


- a Εξαέρωση ψύξης
- b Εξαέρωση θέρμανσης
- c Είσοδος ζεστού νερού (Ονομαστική διάμετρος 3/4")
- d Έξοδος ζεστού νερού (Ονομαστική διάμετρος 3/4")
- e Είσοδος κρύου νερού (Ονομαστική διάμετρος 3/4")
- f Έξοδος κρύου νερού (Ονομαστική διάμετρος 3/4")



- a Εξαέρωση θέρμανσης
- b Εξαέρωση ψύξης
- c Είσοδος ζεστού νερού (Ονομαστική διάμετρος 3/4")
- d Έξοδος ζεστού νερού (3/4" θηλυκός BSP)
- e Είσοδος ψύξης (DN3/4")
- f Έξοδος ψύξης (3/4" θηλυκός BSP)

Για να πληρώσετε το κύκλωμα νερού



- a Εξαέρωση
- b Βάνα εκτόνωσης πίεσης
- c Καπάκι

Κατά την πλήρωση, ενδέχεται να μην είναι δυνατό να αφαιρεθεί όλος ο αέρας από το σύστημα. Ο αέρας που απομένει μπορεί να αφαιρεθεί κατά τη διάρκεια των πρώτων ωρών λειτουργίας της μονάδας. Ο αέρας μπορεί να αφαιρεθεί από τη μονάδα μέσω της χειροκίνητης βαλβίδας εξαέρωσης.

- 1 Ανοίξτε το καπάκι.
- 2 Πιέστε τη βάνα εκτόνωσης πίεσης για εξαέρωση από το(α) κύκλωμα(τα) νερού της μονάδας.
- 3 Κλείστε το καπάκι.
- 4 Ενδεχομένως, αργότερα να χρειαστεί συμπληρωματική πλήρωση με νερό (αλλά ποτέ μέσω της βαλβίδας εξαέρωσης).



ΕΙΔΟΠΟΙΗΣΗ

Η παρουσία αέρα στο κύκλωμα νερού μπορεί να προκαλέσει δυσλειτουργίες. Κατά την πλήρωση, ενδέχεται να μην είναι δυνατή η αφαίρεση όλου του αέρα από το κύκλωμα. Ο αέρας που απομένει θα αφαιρεθεί μέσω των βαλβίδων αυτόματης εξαέρωσης τις πρώτες ώρες λειτουργίας του συστήματος. Ενδεχομένως, αργότερα να χρειαστεί συμπληρωματική πλήρωση με νερό.



ΕΙΔΟΠΟΙΗΣΗ

Βεβαιωθείτε ότι η ποιότητα του νερού συμμορφώνεται με την οδηγία 2020/2184 της ΕΕ.

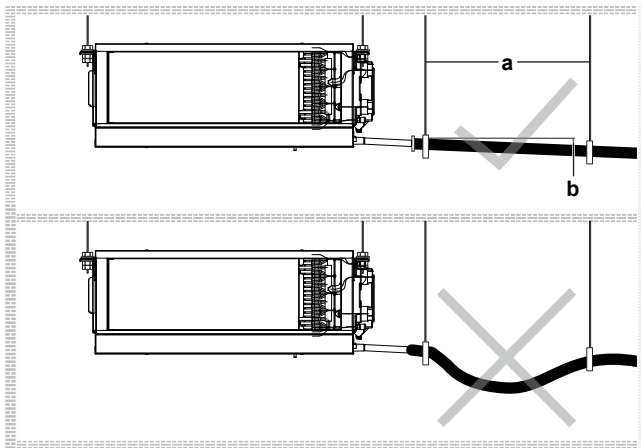
5 Εγκατάσταση μονάδας

5.5 Εγκατάσταση σωληνώσεων αποχέτευσης

5.5.1 Αρχές για την εγκατάσταση της σωλήνωσης αποστράγγισης

Γενικές οδηγίες

- **Μήκος σωλήνα.** Διατηρήστε τη σωλήνωση αποχέτευσης όσο πιο κοντή γίνεται.
- **Μέγεθος σωλήνα.** Διατηρείτε το μέγεθος του σωλήνα ίσο ή μεγαλύτερο από αυτό του συνδεόμενου σωλήνα (σωλήνας βινύλιου ονομαστικής διαμέτρου 25 mm και εξωτερικής διαμέτρου 32 mm).
- **Συμπύκνωση.** Λάβετε μέτρα κατά της δημιουργίας συμπύκνωσης. Μονώστε ολόκληρη τη σωλήνωση αποστράγγισης στο εσωτερικό του κτιρίου.
- **Κλίση.** Βεβαιωθείτε ότι η σωλήνωση αποστράγγισης έχει κατηφορική κλίση (τουλάχιστον 1/50) για να μην παγιδεύεται αέρας μέσα στη σωλήνωση. Χρησιμοποιήστε ράβδους ανάρτησης όπως φαίνεται στην εικόνα.



- ✓ a Ράβδος ανάρτησης
Επιτρέπεται
- ✗ Δεν επιτρέπεται

5.5.2 Σύνδεση της σωλήνωσης αποστράγγισης

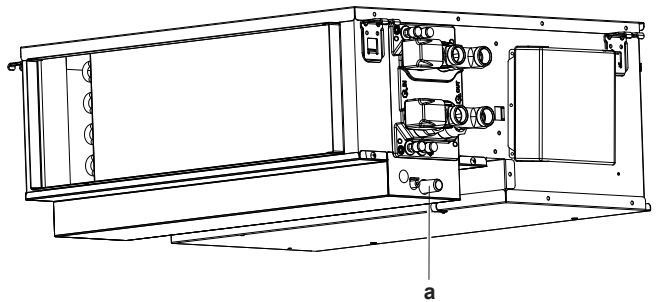
Για να συνδέσετε τη σωλήνωση αποχέτευσης



ΕΙΔΟΠΟΙΗΣΗ

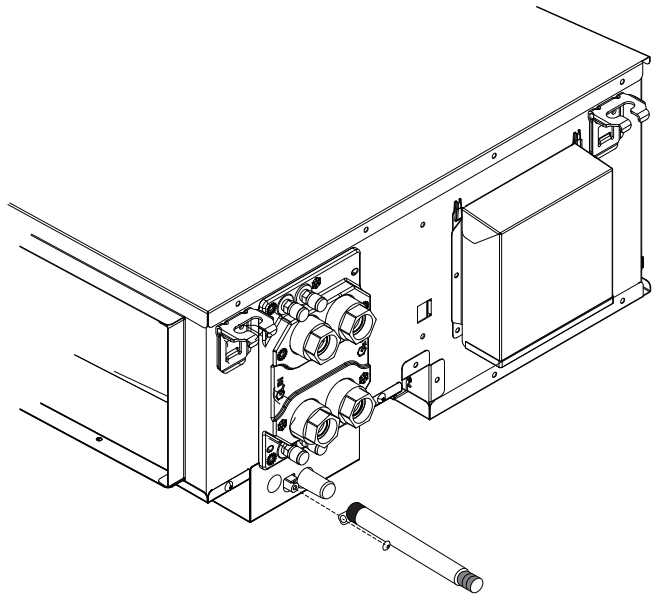
Εσφαλμένη σύνδεση του εύκαμπτου σωλήνα αποστράγγισης ενδέχεται να προκαλέσει διαρροές και ζημιά στο σημείο εγκατάστασης και τον περιβάλλοντα χώρο.

- 1 Ωθήστε τον σωλήνα αποχέτευσης όσο το δυνατόν πιο μακριά πάνω από την υποδοχή της αποχέτευσης.
- 2 Σφίξτε τη βίδα από τον εύκαμπο σωλήνα αποχέτευσης προς την επιφάνεια της λεκάνης αποχέτευσης.
- 3 Ελέγξτε για διαρροές νερού.



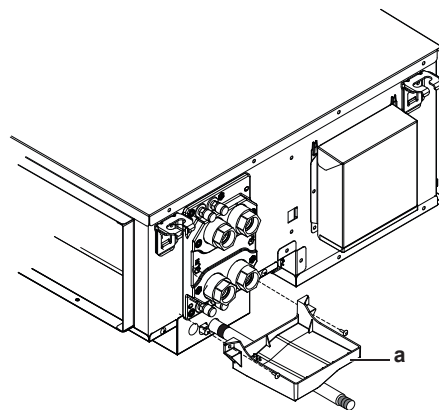
a Υποδοχή αποχέτευσης

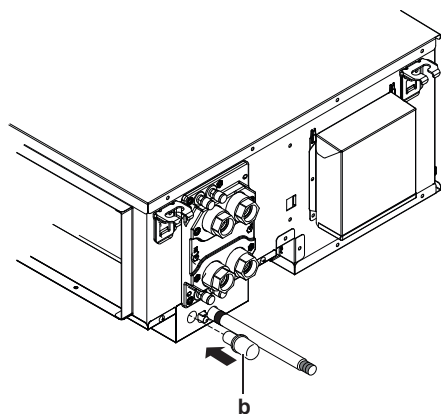
- 4 Εισαγάγετε τον σωλήνα αποχέτευσης και σφίξτε με τη βίδα στερέωσης (σετ εξαρτημάτων).



ΕΙΔΟΠΟΙΗΣΗ

Η μονάδα πρέπει να χρησιμοποιείται με εύκαμπο σωλήνα αποχέτευσης. (Αν αμελήσετε να τον σφίξετε, ενδέχεται να προκληθούν διαρροές νερού και κραδασμοί).



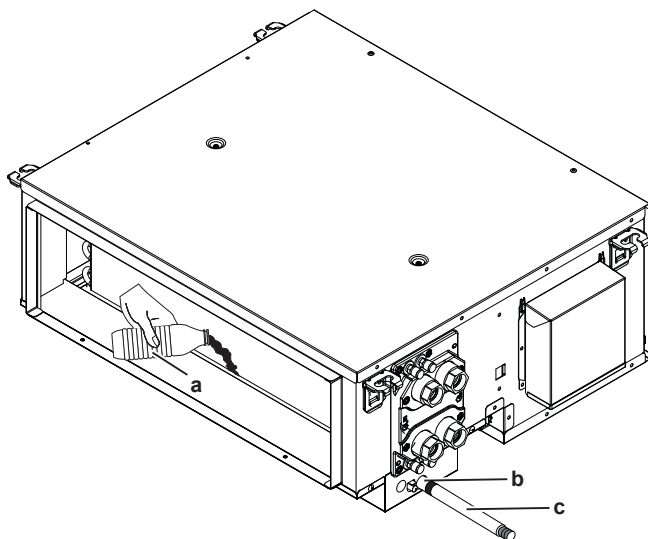


ΕΙΔΟΠΟΙΗΣΗ

Αν δεν χρησιμοποιείται η λεκάνη κάτω από την υποδοχή αποχέτευσης (a), η οπή κάτω από την λεκάνη της υποδοχής αποχέτευσης πρέπει να κλείνεται με κάλυμμα (b).

Όταν έχει ήδη ολοκληρωθεί η ηλεκτρική καλωδίωση

- 1 Έναρξη λειτουργίας ψύξης.
- 2 Σταδιακά χύστε περίπου 1 λίτρο νερό από την εξαγωγή του αέρα και ελέγξτε για διαρροές.



- a Πλαστικό δοχείο νερού
- b Έξοδος αποχέτευσης (χρησιμοποιήστε αυτή την έξοδο για την αποχέτευση του νερού από τη λεκάνη αποχέτευσης)
- c Εύκαμπτος σωλήνας αποχέτευσης

5.6 Εγκατάσταση προαιρετικού εξοπλισμού

5.6.1 Προετοιμασία προαιρετικού εξοπλισμού



ΠΛΗΡΟΦΟΡΙΕΣ

Προαιρετικός εξοπλισμός. Όταν εγκαθιστάτε προαιρετικό εξοπλισμό, διαβάστε επίσης το εγχειρίδιο εγκατάστασης του προαιρετικού εξοπλισμού. Ανάλογα με τις συνθήκες του χώρου εγκατάστασης, ίσως είναι ευκολότερο να εγκαταστήσετε πρώτα τον προαιρετικό εξοπλισμό.

Προαιρετικός εξοπλισμός	Κωδικός αναγνώρισης
Φίλτρο G2	EKAF02G5A
	EKAF03G5A

Προαιρετικός εξοπλισμός	Κωδικός αναγνώρισης
Δίοδη βαλβίδα ON/OFF (AC 230 V)	EK02WV2V3W5A
	EK04WV2V3C5A
	EK06WV2V3C5A
Τρίοδη βαλβίδα ON/OFF (AC 230 V)	EK02WV3V3W5A
	EK04WV3V3C5A
	EK06WV3V3C5A
Αναλογική βαλβίδα (AC 24 V) τρίοδη – βαλβίδα 4 θυρών	EK02P3V24W5A
	EK04P3V24C5A
	EK06P3V24C5A
Τηλεχειριστήριο	FWEC3A
Τηλεχειριστήριο (για 2 σωλήνων)	FWEC2T
Τηλεχειριστήριο (για 4 σωλήνων)	FWEC4T
Τηλεχειριστήριο (πλακέτα πίνακα ελέγχου)	FWEC3AP
Τηλεχειριστήριο	FWEC3AC
Τηλεχειριστήριο	FWTOUCHW
	FWTOUCHB
	FWTOUCHG
Κιτ καλωδίων βαλβίδας	EKER015A

5.6.2 Σύνδεση του προαιρετικού εξοπλισμού

Τεχνικές προδιαγραφές των βαλβίδων

Τιμή Kvs	Μέγ. πίεση λειτουργίας PN (bar)	Τροφοδοσία ενεργοποιητή
2,8	16	1 φάση, 230 V, 50-60 Hz
4		
6		

6 Εγκατάσταση ηλεκτρικών συνδέσεων



ΚΙΝΔΥΝΟΣ: ΚΙΝΔΥΝΟΣ ΗΛΕΚΤΡΟΠΛΗΞΙΑΣ



ΠΡΟΕΙΔΟΠΟΙΗΣΗ

Να χρησιμοποιείτε ΠΑΝΤΑ πολύκλωνο καλώδιο για τα καλώδια ηλεκτρικής παροχής.



ΠΡΟΕΙΔΟΠΟΙΗΣΗ

Χρησιμοποιήστε έναν διακόπτη τύπου αποσύνδεσης όλων των πόλων με απόσταση τουλάχιστον 3 mm μεταξύ των σημείων επαφής, ο οποίος θα παρέχει πλήρη αποσύνδεση υπό συνθήκες υπέρτασης κατηγορίας III.



ΠΡΟΕΙΔΟΠΟΙΗΣΗ

Εάν το καλώδιο τροφοδοσίας είναι κατεστραμμένο, ΠΡΕΠΕΙ να αντικατασταθεί από τον κατασκευαστή, τον αντιπρόσωπο συντήρησης ή άλλα άτομα με παρόμοια προσόντα, προς αποφυγή κινδύνου.

6.1 Προετοιμασία των ηλεκτρικών καλωδιώσεων



ΠΡΟΕΙΔΟΠΟΙΗΣΗ

Όλες οι καλωδιώσεις και τα εξαρτήματα για τον χώρο εγκατάστασης ΠΡΕΠΕΙ να πραγματοποιηθούν από εξουσιοδοτημένο ηλεκτρολόγο και ΠΡΕΠΕΙ να συμμορφώνονται προς την εφαρμοστέα νομοθεσία.

6 Εγκατάσταση ηλεκτρικών συνδέσεων



ΚΙΝΔΥΝΟΣ: ΚΙΝΔΥΝΟΣ ΗΛΕΚΤΡΟΠΛΗΞΙΑΣ



ΠΡΟΕΙΔΟΠΟΙΗΣΗ

Στη σταθερή καλωδίωση ΠΡΕΠΕΙ να ενσωματώνεται γενικός διακόπτης ή άλλο μέσο απόζευξης, με διαχωρισμό επαφής σε όλους τους πόλους, σε συμμόρφωση με την ισχύουσα νομοθεσία.



ΠΡΟΣΟΧΗ

- Κατά τη σύνδεση της παροχής ρεύματος: συνδέστε πρώτα τον αγωγό γείωσης και, στη συνέχεια, τους αγωγούς μεταφοράς ρεύματος.
- Κατά την αποσύνδεση της παροχής ρεύματος: αποσυνδέστε πρώτα τους αγωγούς μεταφοράς ρεύματος και, στη συνέχεια, τη γείωση.
- Το μήκος των αγωγών μεταξύ του σημείου εκτόνωσης πίεσης της παροχής ρεύματος και του ίδιου του μπλοκ ακροδεκτών ΠΡΕΠΕΙ να είναι τέτοιο ώστε σε περίπτωση που η παροχή ρεύματος απελευθερωθεί από το σημείο εκτόνωσης πίεσης, πρώτα να τεντωθούν οι αγωγοί μεταφοράς ρεύματος και μετά το καλώδιο γείωσης.



ΠΡΟΕΙΔΟΠΟΙΗΣΗ

- Αφού ολοκληρώσετε τις ηλεκτρολογικές εργασίες, βεβαιωθείτε ότι έχει συνδεθεί με ασφάλεια κάθε ηλεκτρικό εξάρτημα και ακροδέκτης στον ηλεκτρικό πίνακα.
- Πριν εκκινήσετε τη μονάδα, βεβαιωθείτε ότι όλα τα καλύμματα είναι κλειστά.



ΠΡΟΕΙΔΟΠΟΙΗΣΗ

ΜΗΝ εφαρμόζετε μόνιμα επαγωγικά ή χωρητικά φορτία στο κύκλωμα χωρίς να διασφαλίσετε ότι αυτό ΔΕΝ θα προκαλέσει υπέρβαση της επιτρεπόμενης τάσης και έντασης για τον χρησιμοποιούμενο εξοπλισμό.



ΕΙΔΟΠΟΙΗΣΗ

Ο εξοπλισμός που περιγράφεται σε αυτό το εγχειρίδιο μπορεί να προκαλέσει ηλεκτρονικά παράσιτα από ραδιοσυχνότητα. Ο εξοπλισμός είναι συμβατός με τις προδιαγραφές που έχουν σχεδιαστεί για εύλογη προστασία κατά τέτοιων παρεμβολών. Εντούτοις, δεν παρέχεται εγγύηση ότι δεν θα προκληθούν παρεμβολές σε κάποια συγκεκριμένη εγκατάσταση.

Γι' αυτό συνιστάται να εγκαταστήσετε τον εξοπλισμό και τα ηλεκτρικά καλώδια κατά τέτοιο τρόπο ώστε να διατηρούν κατάλληλη απόσταση από στερεοφωνικό εξοπλισμό, προσωπικούς υπολογιστές, κτλ.



ΚΙΝΔΥΝΟΣ: ΚΙΝΔΥΝΟΣ ΗΛΕΚΤΡΟΠΛΗΞΙΑΣ

- ΑΠΕΝΕΡΓΟΠΟΙΗΣΤΕ κάθε ηλεκτρική παροχή προτού αφαιρέσετε το κάλυμμα των ακροδεκτών της κλιματιστικής μονάδας όταν συνδέετε τις ηλεκτρικές καλωδιώσεις ή ακουμπάτε ηλεκτρικά εξαρτήματα.
- Αποσυνδέστε την ηλεκτρική παροχή για τουλάχιστον 10 λεπτά και, πριν ξεκινήσετε την εργασία, μετρήστε την τάση στους ακροδέκτες των πυκνωτών ή των ηλεκτρικών εξαρτημάτων του κεντρικού κυκλώματος. Η τάση ΠΡΕΠΕΙ να είναι μικρότερη από 50 V DC προκειμένου να μπορέσετε να αγγίξετε τα ηλεκτρικά εξαρτήματα. Για τη θέση των ακροδεκτών, δείτε το διάγραμμα συνδεσμολογίας.
- ΜΗΝ αγγίζετε ηλεκτρικά στοιχεία με υγρά χέρια.
- ΜΗΝ αφήνετε τη μονάδα χωρίς επίβλεψη όταν έχει αφαιρεθεί το κάλυμμα των ακροδεκτών.



ΠΡΟΕΙΔΟΠΟΙΗΣΗ

- Χρησιμοποιείτε ΜΟΝΟ καλώδια από χαλκό.
- Βεβαιωθείτε ότι οι σωληνώσεις στο χώρο εγκατάστασης συμμορφώνονται με την ισχύουσα νομοθεσία.
- Κάθε καλωδίωση στον χώρο εγκατάστασης ΠΡΕΠΕΙ να πραγματοποιείται σύμφωνα με το διάγραμμα καλωδίωσης που συνοδεύει τη μονάδα.
- ΠΟΤΕ μην στριμώνχνετε καλώδια που έχουν διαμορφωθεί σε δεσμίδες και φροντίστε τα καλώδια να ΜΗΝ έρχονται σε επαφή με τις σωληνώσεις και αιχμηρές ακμές. Βεβαιωθείτε ότι δεν ασκείται εξωτερική πίεση στις συνδέσεις των ακροδεκτών.
- Γείωστε απαραίτητως τα καλώδια. ΜΗΝ γειώνετε τη μονάδα σε σωλήνες ύδρευσης, σε απορροφητή υπέρτασης ή σε γείωση τηλεφωνικής γραμμής. Ανεπαρκής γείωση μπορεί να προκαλέσει ηλεκτροπληξία.
- Εγκαταστήστε τις απαιτούμενες ασφάλειες ή τους διακόπτες ασφαλείας.
- Εγκαταστήστε έναν διακόπτη διαρροής προς τη γη. Στην αντίθετη περίπτωση, ενδέχεται να προκληθεί ηλεκτροπληξία ή πυρκαγιά.

6-1 Προδιαγραφές καλωδίωσης χώρου εγκατάστασης

	2 σωλήνων									
	04	05	06	08	10	12	14	16	20	24
Μέγιστη ένταση ρεύματος λειτουργίας (A)	0,27	0,27	0,38	0,44	0,48	0,53	0,81	0,88	0,88	1,06
Μέγιστη ένταση ρεύματος λειτουργίας (A) με βαλβίδες FN	0,34	0,34	0,45	0,51	0,55	0,60	0,88	0,95	0,95	1,13
Συνιστώμενη ασφάλεια υπερέντασης (A)	5									
Φάση	1									
Συχνότητα (Hz)	50									
Τάση (V)	220~240									
Ανοχή τάσης (%)	±10									
Μέγεθος καλωδίωσης (διατομή mm ²)	0,75~1,25									
Ασφαλειοδιακόπτης διαρροής γείωσης	Πρέπει να συμμορφώνεται με την ισχύουσα νομοθεσία									

6-2 Προδιαγραφές καλωδίωσεων χώρου εγκατάστασης

	4 σωλήνων									
	04	05	06	08	10	12	14	16	20	24
Μέγιστη ένταση ρεύματος λειτουργίας (A)	0,26	0,26	0,37	0,43	0,50	0,56	0,79	0,87	0,83	1,04
Μέγιστη ένταση ρεύματος λειτουργίας (A) με βαλβίδεςFN	0,33	0,33	0,44	0,50	0,57	0,63	0,86	0,94	0,90	1,11
Συνιστώμενη ασφάλεια υπερέντασης (A)	5									
Φάση	1									
Συχνότητα (Hz)	50									
Τάση (V)	220~240									
Ανοχή τάσης (%)	±10									
Μέγεθος καλωδίωσης (διατομή mm ²)	0,75~1,25									
Ασφαλειοδιακόπτης διαρροής γείωσης	Πρέπει να συμμορφώνεται με την ισχύουσα νομοθεσία									

6.2 Σύνδεση των ηλεκτρικών καλωδίων

**ΚΙΝΔΥΝΟΣ: ΚΙΝΔΥΝΟΣ ΗΛΕΚΤΡΟΠΛΗΘΙΑΣ****ΠΡΟΕΙΔΟΠΟΙΗΣΗ**

Να χρησιμοποιείτε ΠΑΝΤΑ πολύκλωνο καλώδιο για τα καλώδια ηλεκτρικής παροχής.

**ΠΡΟΕΙΔΟΠΟΙΗΣΗ**

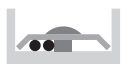
Χρησιμοποιήστε έναν διακόπτη τύπου αποσύνδεσης όλων των πόλων με απόσταση τουλάχιστον 3 mm μεταξύ των σημείων επαφής, ο οποίος θα παρέχει πλήρη αποσύνδεση υπό συνθήκες υπέρτασης κατηγορίας III.

**ΠΡΟΕΙΔΟΠΟΙΗΣΗ**

Εάν το καλώδιο τροφοδοσίας είναι κατεστραμμένο, ΠΡΕΠΕΙ να αντικατασταθεί από τον κατασκευαστή, τον αντιπρόσωπο συντήρησης ή άλλα άτομα με παρόμοια προσόντα, προς αποφυγή κινδύνου.

**ΕΙΔΟΠΟΙΗΣΗ**

Προφυλάξτε κατά την τοποθέτηση της ηλεκτρικής καλωδίωσης:



- ΜΗΝ συνδέετε καλώδια με διαφορετικό πάχος στο μπλοκ ακροδεκτών τροφοδοσίας (τυχόν χαλαρή σύνδεση στα ηλεκτρικά καλώδια μπορεί να προκαλέσει ασυνήθιστη θερμότητα).
- Κατά τη σύνδεση καλωδίων με το ίδιο πάχος, τηρήστε τη διαδικασία που υποδεικνύεται στην παραπάνω εικόνα.
- Χρησιμοποιήστε το κατάλληλο καλώδιο ρεύματος για την καλωδίωση και συνδέστε το σταθερά και, στη συνέχεια, φροντίστε να αποφύγετε την άσκηση εξωτερικής πίεσης στο μπλοκ ακροδεκτών.
- Χρησιμοποιήστε το κατάλληλο κατασβίδι για τη σύσφιξη των βιδών των ακροδεκτών. Εάν χρησιμοποιήσετε ένα κατασβίδι με μικρή κεφαλή, θα προκληθεί φθορά στο κεφάλι της βίδας και δεν θα είναι δυνατή η σωστή σύσφιξη.
- Εάν σφίξετε πάρα πολύ τις βίδες ακροδεκτών, ενδέχεται να τις καταστρέψετε.

**ΕΙΔΟΠΟΙΗΣΗ**

- Ακολουθήστε το διάγραμμα καλωδίωσης (παρέχεται με τη μονάδα, στο εσωτερικό του καλύμματος συντήρησης).
- Για οδηγίες σχετικά με τον τρόπο σύνδεσης του προαιρετικού εξοπλισμού, ανατρέξτε στο εγχειρίδιο εγκατάστασης που διατίθεται με τον προαιρετικό εξοπλισμό.
- Βεβαιωθείτε ότι η καλωδίωση ΔΕΝ παρεμποδίζει την κατάλληλη επανατοποθέτηση του καλύμματος συντήρησης.

Είναι σημαντικό να διατηρείτε την ηλεκτρική τροφοδοσία και την καλωδίωση μετάδοσης απομονωμένες τη μία από την άλλη. Προκειμένου να αποφευχθούν τυχόν ηλεκτρικές παρεμβολές, η απόσταση μεταξύ των δύο καλωδίωσεων θα πρέπει να είναι ΠΑΝΤΑ τουλάχιστον 50 mm.

**ΕΙΔΟΠΟΙΗΣΗ**

Βεβαιωθείτε ότι διατηρείτε τη γραμμή τροφοδοσίας σε απόσταση από τη γραμμή μετάδοσης. Η καλωδίωση μετάδοσης και η καλωδίωση παροχής ρεύματος μπορούν να διασταυρώνονται, αλλά ΔΕΝ μπορούν να είναι παράλληλες.

7 Έναρξη λειτουργίας

**ΕΙΔΟΠΟΙΗΣΗ**

ΜΗΝ διακόπτετε τη δοκιμαστική λειτουργία.

7.1 Λίστα ελέγχου πριν από την έναρξη λειτουργίας

- 1 Μετά την εγκατάσταση της μονάδας, ελέγξτε τα στοιχεία που αναγράφονται παρακάτω.
- 2 Κλείστε τη μονάδα.
- 3 Ενεργοποιήστε τη μονάδα.

<input type="checkbox"/>	Έχετε διαβάσει το σύνολο των οδηγιών εγκατάστασης, όπως περιγράφεται στον οδηγό αναφοράς εγκαταστάτη .
<input type="checkbox"/>	Οι εσωτερικές μονάδες έχουν τοποθετηθεί σωστά.
<input type="checkbox"/>	ΔΕΝ λείπουν φάσεις ή δεν υπάρχουν αντίστροφες φάσεις .
<input type="checkbox"/>	Το σύστημα είναι γειωμένο σωστά και οι ακροδέκτες γείωσης είναι σφιγμένοι.
<input type="checkbox"/>	Οι ασφάλειες ή οι τοπικά εγκατεστημένες διατάξεις προστασίας έχουν εγκατασταθεί σύμφωνα με το παρόν έγγραφο και ΔΕΝ έχουν παρακαμφθεί.

8 Οδηγίες ασφάλειας χειριστή

<input type="checkbox"/>	Η τάση ηλεκτρικής παροχής αντιστοιχεί στην τάση που αναγράφεται στην πινακίδα χαρακτηριστικών της μονάδας.
<input type="checkbox"/>	ΔΕΝ υπάρχουν χαλαρές συνδέσεις ή κατεστραμμένα ηλεκτρικά εξαρτήματα στον ηλεκτρικό πίνακα.

<input type="checkbox"/>	ΔΕΝ υπάρχουν κατεστραμμένα εξαρτήματα ή παραμορφωμένοι σωλήνες στο εσωτερικό της εσωτερικής και της εξωτερικής μονάδας.
<input type="checkbox"/>	Έχει εγκατασταθεί το σωστό μέγεθος σωλήνων και οι σωλήνες είναι σωστά μονωμένοι.

Για τον χρήστη

8 Οδηγίες ασφάλειας χειριστή

Να τηρείτε πάντα τις ακόλουθες οδηγίες και κανονισμούς ασφάλειας.

8.1 Οδηγίες για ασφαλή λειτουργία

ΠΡΟΣΟΧΗ

ΜΗΝ εισάγετε τα δάχτυλά σας, ράβδους ή άλλα αντικείμενα στην είσοδο ή την έξοδο αέρα. Όταν ο ανεμιστήρας περιστρέφεται με μεγάλη ταχύτητα, ενδέχεται να προκληθούν τραυματισμοί.

ΠΡΟΣΟΧΗ: Δώστε προσοχή στον ανεμιστήρα!

Είναι επικίνδυνο να ελέγχετε τη μονάδα όταν ο ανεμιστήρας βρίσκεται σε λειτουργία.

Πριν από την εκτέλεση οποιασδήποτε εργασίας συντήρησης, βεβαιωθείτε ότι έχετε ΚΛΕΙΣΕΙ τον κεντρικό διακόπτη λειτουργίας.

ΠΡΟΣΟΧΗ

Μετά από μακροχρόνια χρήση, ελέγξτε το στήριγμα και το πλαίσιο της μονάδας για τυχόν φθορές. Αν υπάρχει φθορά, η μονάδα μπορεί να πέσει και να προκαλέσει τραυματισμούς.

ΠΡΟΣΟΧΗ

Η έκθεση του σώματός σας στη ροή αέρα για μεγάλο χρονικό διάστημα είναι ανθυγιεινή.

ΠΡΟΣΟΧΗ

Μην αγγίζετε ΠΟΤΕ τα εσωτερικά εξαρτήματα του τηλεχειριστηρίου.

ΚΙΝΔΥΝΟΣ: ΚΙΝΔΥΝΟΣ ΗΛΕΚΤΡΟΠΛΗΞΙΑΣ

Για να καθαρίσετε την κλιματιστική μονάδα ή το φίλτρο αέρα, βεβαιωθείτε ότι έχετε διακόψει προηγουμένως τη λειτουργία και έχετε ΚΛΕΙΣΕΙ κάθε

ηλεκτρική παροχή. Σε αντίθετη περίπτωση ενδέχεται να προκληθεί ηλεκτροπληξία και τραυματισμός.

ΠΡΟΕΙΔΟΠΟΙΗΣΗ

Τηρείτε τυχόν απαιτούμενα ανοίγματα εξαερισμού ελεύθερα από εμπόδια.

ΠΡΟΕΙΔΟΠΟΙΗΣΗ

Διακόψτε τη λειτουργία και ΑΠΕΝΕΡΓΟΠΟΙΗΣΤΕ την ηλεκτρική παροχή σε περίπτωση που συμβεί κάτι ασυνήθιστο (μυρωδιά καμένου κ.λπ.).

Η συνέχιση της λειτουργίας της μονάδας υπό αυτές τις συνθήκες ενδέχεται να προκαλέσει βλάβες, ηλεκτροπληξία ή πυρκαγιά. Επικοινωνήστε με τον οικείο αντιπρόσωπο.

ΠΡΟΕΙΔΟΠΟΙΗΣΗ

ΠΟΤΕ μην ακουμπάτε την έξοδο του αέρα ή τα οριζόντια πτερύγια όταν τα περιστρεφόμενα πτερύγια βρίσκονται σε λειτουργία. Μπορεί να πιαστούν τα δάχτυλά σας ή να προκληθεί βλάβη στη μονάδα.

ΠΡΟΕΙΔΟΠΟΙΗΣΗ

ΜΗΝ τοποθετείτε δίπλα στο κλιματιστικό φιάλες με εύφλεκτα υγρά και ΜΗΝ χρησιμοποιείτε σπρέι κοντά στη μονάδα. Αυτό μπορεί να προκαλέσει πυρκαγιά.

ΠΡΟΕΙΔΟΠΟΙΗΣΗ

Προτού θέσετε σε λειτουργία τη μονάδα, βεβαιωθείτε ότι η εγκατάσταση έχει πραγματοποιηθεί σωστά από τεχνικό εγκατάστασης.

**ΠΡΟΕΙΔΟΠΟΙΗΣΗ**

Η συσκευή θα αποθηκεύεται κατά τέτοιο τρόπο ώστε να αποτρέπονται οι μηχανικές βλάβες και σε καλά αεριζόμενο χώρο χωρίς πηγές ανάφλεξης σε συνεχή λειτουργία (παράδειγμα: γυμνές φλόγες, συσκευή αερίου σε λειτουργία ή ηλεκτρικό θερμαντήρα σε λειτουργία). Το μέγεθος του χώρου θα πρέπει να συμμορφώνεται με τα καθοριζόμενα στις Γενικές προφυλάξεις ασφαλείας.

9 Πληροφορίες για το σύστημα

**ΠΡΟΕΙΔΟΠΟΙΗΣΗ**

ΜΗΝ τροποποιείτε, αποσυναρμολογείτε, αφαιρείτε, εγκαθιστάτε ξανά ή επισκευάζετε τη μονάδα μόνοι σας, καθώς η λανθασμένη αποσυναρμολόγηση ή εγκατάσταση ενδέχεται να προκαλέσει ηλεκτροπληξία ή πυρκαγιά. Επικοινωνήστε με τον οικείο αντιπρόσωπο.

**ΕΙΔΟΠΟΙΗΣΗ**

ΜΗΝ χρησιμοποιείτε το σύστημα για άλλους σκοπούς. Προκειμένου να αποφύγετε τη μείωση της ποιότητας, ΜΗΝ χρησιμοποιείτε τη μονάδα για ψύξη οργάνων ακριβείας, φαγητού, φυτών, ζώων ή έργων τέχνης.

**ΕΙΔΟΠΟΙΗΣΗ**

Για μελλοντικές τροποποιήσεις ή επεκτάσεις του συστήματός σας:

Στα τεχνικά μηχανολογικά δεδομένα παρέχεται μια πλήρης επισκόπηση των επιτρεπόμενων συνδυασμών (για μελλοντικές επεκτάσεις συστήματος), την οποία θα πρέπει να συμβουλευέστε. Για περισσότερες πληροφορίες και επαγγελματικές συμβουλές, επικοινωνήστε με τον τεχνικό εγκατάστασης.

10 Πριν από τη λειτουργία

**ΠΡΟΕΙΔΟΠΟΙΗΣΗ**

Αυτή η μονάδα περιέχει ηλεκτρικά εξαρτήματα που μπορεί να καίνε.

**ΠΡΟΕΙΔΟΠΟΙΗΣΗ**

Προτού θέσετε σε λειτουργία τη μονάδα, βεβαιωθείτε ότι η εγκατάσταση έχει πραγματοποιηθεί σωστά από τεχνικό εγκατάστασης.

**ΠΡΟΣΟΧΗ**

ΠΟΤΕ μην εκθέτετε άμεσα μικρά παιδιά, φυτά ή ζώα στη ροή του αέρα.

Αυτό το εγχειρίδιο λειτουργίας αφορά τα ακόλουθα συστήματα με συνηθισμένο σύστημα ελέγχου. Πριν ξεκινήσετε τη λειτουργία, επικοινωνήστε με τον αντιπρόσωπο στην περιοχή σας για τη λειτουργία που αντιστοιχεί στον τύπο και τη μάρκα του συστήματός σας. Αν η εγκατάστασή σας διαθέτει σύστημα ελέγχου προσαρμοσμένο στις ανάγκες σας, ρωτήστε στην τοπική αντιπροσωπεία ποια λειτουργία αντιστοιχεί στο σύστημά σας.

Τρόποι λειτουργίας:

- Θέρμανση και ψύξη (αέρα σε αέρα).
- Λειτουργία μόνο ανεμιστήρα (αέρας προς αέρα).

Το παρόν εγχειρίδιο λειτουργίας παρέχει μια ενδεικτική επισκόπηση των κύριων λειτουργιών του συστήματος.

Για περισσότερες πληροφορίες σχετικά με το περιβάλλον χρήστη, δείτε το εγχειρίδιο λειτουργίας του εγκατεστημένου περιβάλλοντος χρήστη.

11 Λειτουργία

11.1 Εύρος λειτουργίας

Οι ακόλουθες συνθήκες αποτελούν τυπικά όρια λειτουργίας. Για διαφορετικές συνθήκες, συμβουλευτείτε τον αντιπρόσωπο.

Λειτουργία	Κατάσταση	Όριο θερμοκρασίας αέρα, (DB/WB)	Όριο θερμοκρασίας νερού (είσοδος/ έξοδος)	Δέλτα Τ νερού, ΔΤ
Ψύξη (°C)	Ελάχ.	15/6 (RH%20)	5/8	3 έως 10
	Μεγ.	33/26 (RH%58)	18/28	
Θέρμανση (°C)	Ελάχ.	15/**	35/30	5 έως 20
	Μεγ.	27/**	90/70	

12 Εξοικονόμηση ενέργειας και βέλτιστη λειτουργία

Τηρείτε τις παρακάτω προφυλάξεις για να βεβαιωθείτε ότι το σύστημα λειτουργεί σωστά.

- Ρυθμίστε την έξοδο του αέρα σωστά και αποφύγετε να κατευθύνεται ο αέρας πάνω σε κατοίκους του δωματίου.
- Ρυθμίστε τη θερμοκρασία δωματίου σωστά για άνετο περιβάλλον. Αποφύγετε την υπερβολική θέρμανση ή ψύξη.
- Αποφύγετε την άμεση ηλιακή ακτινοβολία στον χώρο κατά τη διάρκεια της λειτουργίας ψύξης κλείνοντας τις κουρτίνες ή τα παντζούρια.
- Αερίζετε συχνά. Η παρατεταμένη χρήση απαιτεί ειδική προσοχή στον αερισμό.
- Κρατάτε τις πόρτες και τα παράθυρα κλειστά. Αν οι πόρτες και τα παράθυρα παραμένουν ανοικτά, ο αέρας του δωματίου φεύγει έξω και μειώνεται το αποτέλεσμα ψύξης ή θέρμανσης.
- ΜΗΝ ψύχετε ή θερμαίνετε υπερβολικά το χώρο. Για την εξοικονόμηση ενέργειας, διατηρήστε τη ρύθμιση θερμοκρασίας σε μέτριο επίπεδο.
- ΠΟΤΕ μην τοποθετείτε αντικείμενα κοντά στην είσοδο ή την έξοδο αέρα της μονάδας. Κάτι τέτοιο μπορεί να προκαλέσει μειωμένη απόδοση θέρμανσης/ψύξης ή διακοπή της λειτουργίας.
- Ενδέχεται να παρατηρηθεί συμπύκνωση αν η σχετική υγρασία είναι πάνω από 80% ή είναι μπλοκαρισμένη η έξοδος της λεκάνης αποστράγγισης.

**ΕΙΔΟΠΟΙΗΣΗ**

ΜΗΝ χρησιμοποιείτε το σύστημα για άλλους σκοπούς. Προκειμένου να αποφύγετε τη μείωση της ποιότητας, ΜΗΝ χρησιμοποιείτε τη μονάδα για ψύξη οργάνων ακριβείας, φαγητού, φυτών, ζώων ή έργων τέχνης.

**ΠΡΟΣΟΧΗ**

ΜΗΝ λειτουργείτε το σύστημα όταν χρησιμοποιείτε εντομοκτόνα τύπου υποκαπνισμού χώρου. Τα χημικά θα μπορούσαν να συγκεντρωθούν στη μονάδα και να θέσουν σε κίνδυνο την υγεία όσων είναι υπερευαίσθητοι στα χημικά.

13 Συντήρηση και επισκευή

13.1 Προφυλάξεις ασφαλείας κατά τη συντήρηση



ΚΙΝΔΥΝΟΣ: ΚΙΝΔΥΝΟΣ ΕΓΚΑΥΜΑΤΟΣ



ΚΙΝΔΥΝΟΣ: ΚΙΝΔΥΝΟΣ ΗΛΕΚΤΡΟΠΛΗΞΙΑΣ



ΕΙΔΟΠΟΙΗΣΗ

Διατηρείτε το φίλτρο αέρα καθαρό και ελέγχετε την παροχή ροής αέρα περιοδικά.



ΠΡΟΕΙΔΟΠΟΙΗΣΗ

- Πριν προβείτε σε οποιαδήποτε εργασία συντήρησης ή επισκευής, απενεργοποιήστε ΠΑΝΤΑ τον ασφαλειοδιακόπτη στον πίνακα παροχής.
- Βεβαιωθείτε ότι ΔΕΝ αγγίζετε κάποιο αγώγιμο τμήμα.
- ΜΗΝ βρέχετε το εξωτερικό της μονάδας. Μπορεί να προκληθεί ηλεκτροπληξία ή πυρκαγιά.

Για να καθαρίσετε το εξωτερικό της κλιματιστικής μονάδας σας:

- 1 Απενεργοποιήστε την κλιματιστική μονάδα.
- 2 Καθαρίστε το εξωτερικό της κλιματιστικής μονάδας με ένα μαλακό πανί.



ΠΡΟΣΟΧΗ

- ΜΗΝ φράζετε την έξοδο ή την είσοδο αέρα της μονάδας με οποιονδήποτε τρόπο.
- ΜΗΝ τοποθετείτε υγρά ή βρεγμένα ρούχα στη σχάρα εξόδου αέρα της μονάδας.
- ΜΗΝ χύνετε υγρά στο εσωτερικό του εξοπλισμού.

Σε καμία περίπτωση μην καθαρίζετε την κλιματιστική μονάδα σας με:

- οποιοδήποτε διαβρωτικό χημικό διαλυτικό,
- νερό σε θερμοκρασία πάνω από 50°C.

Για τη συντήρηση της κλιματιστικής μονάδας σας, επικοινωνήστε με τον τεχνικό εγκατάστασης ή την εταιρεία συντήρησης.

13.2 Προφυλάξεις για τη συντήρηση και το σέρβις



ΕΙΔΟΠΟΙΗΣΗ

ΠΟΤΕ μην επιθεωρείτε ή συντηρείτε τη μονάδα μόνοι σας. Ζητήστε από το εξειδικευμένο τεχνικό προσωπικό να πραγματοποιήσει αυτήν την εργασία. Παρόλα αυτά, ως τελικός χρήστης μπορείτε να καθαρίσετε το φίλτρο αέρα, τη σχάρα εισαγωγής αέρα, την εξαγωγή αέρα και τα εξωτερικά πλαίσια.



ΠΡΟΕΙΔΟΠΟΙΗΣΗ

ΠΟΤΕ μην αντικαθιστάτε μια ηλεκτρική ασφάλεια με μια άλλη διαφορετικής ονομαστικής τιμής αμπέρ ή με άλλα καλώδια όταν καεί η ασφάλεια. Η χρήση καλωδίου ή χάλκινου σύρματος μπορεί να προκαλέσει ζημιά στη μονάδα ή πυρκαγιά.



ΠΡΟΣΟΧΗ

Μετά από μακροχρόνια χρήση, ελέγξτε το στήριγμα και το πλαίσιο της μονάδας για τυχόν φθορές. Αν υπάρχει φθορά, η μονάδα μπορεί να πέσει και να προκαλέσει τραυματισμούς.



ΕΙΔΟΠΟΙΗΣΗ

ΜΗΝ σκουπίζετε τον πίνακα λειτουργίας του ελεγκτή με βενζίνη, διαλυτικό, ξεσκονόπανο με χημικά κ.λπ. Ο πίνακας μπορεί να αποχρωματιστεί ή να ξεφλουδίσει η επιφάνειά του. Αν είναι πολύ βρόμικος, βουτήξτε ένα πανί σε ένα ουδέτερο καθαριστικό που έχετε διαλύσει σε νερό, στίψτε τον καλά και καθαρίστε τον πίνακα. Σκουπίστε τον με ένα άλλο στεγνό πανί.



ΠΡΟΣΟΧΗ

Προτού πλησιάσετε τερματικές συσκευές, βεβαιωθείτε ότι έχετε κλείσει κάθε ηλεκτρική παροχή.



ΕΙΔΟΠΟΙΗΣΗ

Όταν καθαρίζετε τον εναλλάκτη θερμότητας, βεβαιωθείτε ότι έχετε απομακρύνει τον πίνακα ελέγχου, τον κινητήρα του ανεμιστήρα, την αντλία αποστράγγισης και το φλοτέρ. Νερό ή απορρυπαντικό πιθανόν να καταστρέψουν τη μόνωση των ηλεκτρικών εξαρτημάτων και να προκαλέσουν το κάψιμό τους.



ΠΡΟΕΙΔΟΠΟΙΗΣΗ

Να είστε προσεκτικοί όταν χρησιμοποιείτε σκάλες για εργασία σε υψηλά σημεία.

13.3 Καθαρισμός του φίλτρου αέρα, της σχάρας εισαγωγής αέρα, της εξαγωγής αέρα και των εξωτερικών πλαισίων



ΠΡΟΣΟΧΗ

Απενεργοποιείτε τη μονάδα πριν καθαρίσετε το φίλτρο αέρα, τη σχάρα εισαγωγής αέρα, την εξαγωγή αέρα και τα εξωτερικά πλαίσια.



ΕΙΔΟΠΟΙΗΣΗ

- ΜΗΝ τρίβετε τη λεπίδα δυνατά όταν την πλένετε με νερό. **Πιθανή συνέπεια:** Ενδέχεται να αποκολληθεί η στεγανοποιητική επιφάνεια.

Καθαρίστε με ένα μαλακό ύφασμα. Εάν είναι δύσκολο να αφαιρέσετε τους λεκέδες, χρησιμοποιήστε νερό ή ουδέτερο απορρυπαντικό.

13.3.1 Για να καθαρίσετε το φίλτρο αέρα

Πότε να καθαρίζετε το φίλτρο αέρα:

- Γενικός κανόνας: Καθαρίζετε κάθε 6 μήνες. Εάν ο αέρας στον χώρο είναι εξαιρετικά επιβαρυσμένος, αυξήστε τη συχνότητα καθαρισμού.
- Αν είναι αδύνατος ο αποτελεσματικός καθαρισμός των ρύπων, αλλάξτε το φίλτρο αέρα (= πρόσθετος εξοπλισμός).

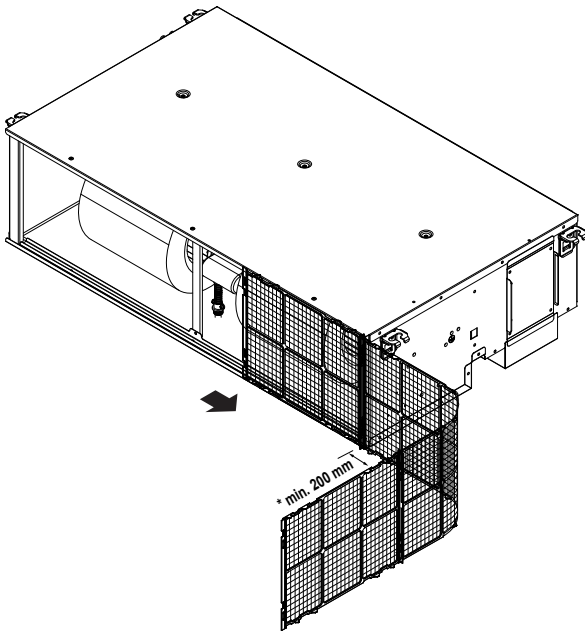
Πώς να καθαρίσετε το φίλτρο αέρα:



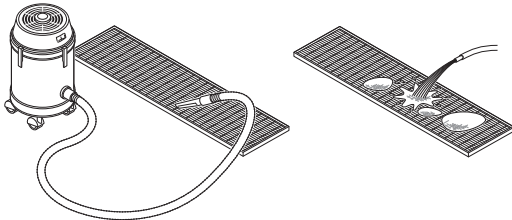
ΕΙΔΟΠΟΙΗΣΗ

ΜΗΝ χρησιμοποιείτε νερό θερμότερο των 50 C. **Πιθανή συνέπεια:** Αποχρωματισμός και παραμόρφωση.

- 1 Απενεργοποιήστε την παροχή ρεύματος. Το φίλτρο αέρα μπορεί να εγκατασταθεί στη δεξιά πλευρά και στην αριστερή πλευρά. Αφαιρέστε το φίλτρο σύροντάς το όπως φαίνεται παρακάτω.



- 2 Καθαρίστε το φίλτρο αέρα. Χρησιμοποιήστε ηλεκτρική σκούπα ή πλύνετε με νερό. Εάν το φίλτρο αέρα είναι πολύ βρόμικο, χρησιμοποιήστε μια μαλακή βούρτσα και ήπιο απορρυπαντικό.



- 3 Στεγνώστε το φίλτρο αέρα στη σκιά.
4 Προσαρμόστε ξανά το φίλτρο αέρα και κλείστε τη σχάρα εισαγωγής.

13.4 Συντήρηση μετά από μεγάλη περίοδο διακοπής λειτουργίας

Π.χ. στην αρχή της περιόδου.

- Ελέγξτε και αφαιρέστε οτιδήποτε φράσσει την είσοδο και έξοδο αέρα των εσωτερικών και εξωτερικών μονάδων.
- Καθαρίστε τα φίλτρα αέρα και τα πλαίσια των εσωτερικών μονάδων (δείτε "13.3.1 Για να καθαρίσετε το φίλτρο αέρα" [► 138] και Για να καθαρίσετε την εξαγωγή αέρα και τα εξωτερικά πλαίσια).

13.5 Συντήρηση πριν από μεγάλη περίοδο διακοπής λειτουργίας

Π.χ. στο τέλος της περιόδου.

- Αφήστε τον ανεμιστήρα της εσωτερικής μονάδας να λειτουργήσει για μισή μέρα ώστε να στεγνώσει το εσωτερικό των μονάδων. Για λεπτομέρειες σχετικά με τη λειτουργία μόνο του ανεμιστήρα, ανατρέξτε στην ενότητα Σχετικά με τις λειτουργίες ψύξης, θέρμανσης, μόνο ανεμιστήρα, και την αυτόματη λειτουργία.
- Κλείστε την παροχή ηλεκτρικού ρεύματος. Η οθόνη του περιβάλλοντος χρήστη σβήνει.
- Καθαρίστε τα φίλτρα αέρα και τα πλαίσια των εσωτερικών μονάδων (δείτε "13.3.1 Για να καθαρίσετε το φίλτρο αέρα" [► 138] και Για να καθαρίσετε την εξαγωγή αέρα και τα εξωτερικά πλαίσια).

13.6 Τεχνική υποστήριξη μετά την πώληση και εγγύηση

13.6.1 Συνιστώμενη συντήρηση και έλεγχος

Όταν χρησιμοποιείτε τη μονάδα για αρκετά χρόνια συσσωρεύεται σε αυτή σκόνη και η απόδοσή της μειώνεται σε κάποιο βαθμό. Καθώς η αποσυναρμολόγηση και ο καθαρισμός των εσωτερικών μονάδων απαιτεί εξειδικευμένο τεχνικό και προκειμένου να εξασφαλίσετε την καλύτερη δυνατή συντήρηση της μονάδας, σας συνιστούμε να συνάψετε μια σύμβαση συντήρησης και ελέγχου με βάση τα συνήθη προγράμματα συντήρησης. Το δίκτυο των συνεργατών μας έχει πρόσβαση στα μόνιμα αποθέματα βασικών εξαρτημάτων, εξασφαλίζοντας έτσι την καλή λειτουργία της μονάδας σας για όσο το δυνατόν μεγαλύτερο διάστημα. Για περισσότερες πληροφορίες, επικοινωνήστε με τον οικείο αντιπρόσωπο.

Όταν απευθύνεστε στον αντιπρόσωπό σας για κάποια παρέμβαση αναφέρετε πάντα:

- Το πλήρες μοντέλο της μονάδας σας.
- Τον αριθμό κατασκευής (αναφέρεται στην πινακίδα της μονάδας).
- Την ημερομηνία εγκατάστασης.
- Τα συμπτώματα ή την δυσλειτουργία, και λεπτομέρειες για τη βλάβη.



ΠΡΟΕΙΔΟΠΟΙΗΣΗ

ΜΗΝ τροποποιείτε, αποσυναρμολογείτε, αφαιρείτε, εγκαθιστάτε ξανά ή επισκευάζετε τη μονάδα μόνοι σας, καθώς η λανθασμένη αποσυναρμολόγηση ή εγκατάσταση ενδέχεται να προκαλέσει ηλεκτροπληξία ή πυρκαγιά. Επικοινωνήστε με τον οικείο αντιπρόσωπο.

13.6.2 Μειωμένες περιόδους συντήρησης και ελέγχου

Στις ακόλουθες περιπτώσεις είναι απαραίτητη η συχνότερη συντήρηση και αντικατάσταση:

Η μονάδα χρησιμοποιείται σε χώρους όπου:

- Η θερμότητα και η υγρασία διακυμαίνονται περισσότερο από τα κανονικά επίπεδα.
- Η αυξομείωση του ηλεκτρικού ρεύματος είναι υψηλή (τάση, συχνότητα, παραμόρφωση κύματος κλπ.), (η μονάδα δεν πρέπει να χρησιμοποιείται εάν η αυξομείωση του ηλεκτρικού ρεύματος υπερβαίνει τα επιτρεπτά όρια).
- Σημειώνονται συχνά χτυπήματα και δονήσεις.
- Υπάρχουν στον αέρα σκόνη, αλμύρα, επιβλαβή αέρια ή ίχνη λαδιού όπως θειώδες οξύ και υδρόθειο.
- Πραγματοποιείται συχνή ενεργοποίηση και απενεργοποίηση του μηχανήματος ή ο χρόνος λειτουργίας του είναι εκτεταμένος (χώροι με 24ωρη χρήση κλιματισμού).

Συνιστώμενες χρονικές περιόδους για την αντικατάσταση των αναλώσιμων εξαρτημάτων

Στοιχείο	Περίοδος ελέγχου	Περίοδος συντήρησης (αντικαταστάσεις και/ή επισκευές)
Φίλτρο αέρα	1 έτος	5 έτη
Φίλτρο υψηλής απόδοσης		1 έτος
Ασφάλεια		10 έτη
Εξαρτήματα με πίεση		Σε περίπτωση διάβρωσης, απευθυνθείτε στον τοπικό σας αντιπρόσωπο.

14 Αντιμετώπιση προβλημάτων

ΠΛΗΡΟΦΟΡΙΕΣ

Φθορές οι οποίες οφείλονται σε αποσυναρμολόγηση ή καθαρισμό του εσωτερικού των μονάδων από οποιονδήποτε άλλο εκτός από τους εξουσιοδοτημένους αντιπροσώπους μας πιθανόν να μην συμπεριλαμβάνονται στην εγγύηση.

14 Αντιμετώπιση προβλημάτων

Αν προκύψει μία από τις παρακάτω βλάβες, λάβετε τα μέτρα που σημειώνονται παρακάτω και αποταθείτε στον αντιπρόσωπό σας.

Η επίσκεψη του συστήματος ΠΡΕΠΕΙ να γίνεται από τεχνικό συντήρησης που διαθέτει τα κατάλληλα προσόντα.

Δυσλειτουργία	Ενέργεια
Αν μια διάταξη ασφαλείας όπως μια ηλεκτρική ασφάλεια, ένας διακόπτης κυκλώματος ή ένας ασφαλειοδιακόπτης διαρροής ενεργοποιείται συχνά ή αν ο διακόπτης Ενεργοποίησης/ Απενεργοποίησης (ON/OFF) δεν λειτουργεί σωστά.	Κλείστε τον διακόπτη παροχής ρεύματος.
Αν υπάρχει διαρροή νερού από τη μονάδα.	Σταματήστε τη λειτουργία.
Ο διακόπτης χειρισμού δεν λειτουργεί σωστά.	Κλείστε την παροχή ηλεκτρικού ρεύματος.

Αν το σύστημα ΔΕΝ λειτουργεί σωστά με εξαίρεση τις περιπτώσεις που αναφέρονται παραπάνω και δεν υπάρχουν ενδείξεις για καμία από τις βλάβες που αναφέρονται παραπάνω, ελέγξτε το σύστημα σύμφωνα με τις ακόλουθες διαδικασίες.

Δυσλειτουργία	Μέτρο
Αν το σύστημα δεν λειτουργεί καθόλου.	<ul style="list-style-type: none"> Ελέγξτε μήπως υπάρχει διακοπή ρεύματος. Περιμένετε ώσπου να αποκατασταθεί η ηλεκτρική παροχή. Ελέγξτε μήπως έχει καεί κάποια ασφάλεια ή έχει πέσει ο ασφαλειοδιακόπτης. Αλλάξτε την ασφάλεια ή ανεβάστε τον ασφαλειοδιακόπτη.
Το σύστημα λειτουργεί αλλά παρέχει ανεπαρκή δροσισμό ή θέρμανση.	<ul style="list-style-type: none"> Ελέγξτε μήπως είναι φραγμένη η είσοδος ή η έξοδος αέρα της εξωτερικής ή της εσωτερικής μονάδας. Απομακρύνετε τυχόν εμπόδια και βεβαιωθείτε ότι ο αέρας ρέει ανεμπόδια. Βεβαιωθείτε ότι το φίλτρο αέρα δεν έχει φράξει (δείτε την ενότητα "13.3.1 Για να καθαρίσετε το φίλτρο αέρα" [p. 138]). Ελέγξτε τη ρύθμιση της θερμοκρασίας. Ελέγξτε τη ρύθμιση της ταχύτητας ανεμιστήρα στο τηλεχειριστήριο. Ελέγξτε μήπως είναι ανοιχτές πόρτες ή παράθυρα. Κλείστε τις πόρτες και τα παράθυρα, για να μην δημιουργείται ρεύμα αέρα. Ελέγξτε μήπως υπάρχουν υπερβολικά πολλά άτομα στο δωμάτιο κατά τη διάρκεια της λειτουργίας δροσισμού. Ελέγξτε αν η πηγή θερμότητας του δωματίου είναι μεγάλη. Ελέγξτε αν εισέρχονται οι ακτίνες του ήλιου στο δωμάτιο. Τοποθετήστε κουρτίνες ή θόρια. Ελέγξτε αν είναι κατάλληλη η γωνία ροής του αέρα.

Εάν μετά τον έλεγχο όλων των παραπάνω στοιχείων είναι αδύνατον να επισκευάσετε μόνοι σας τη βλάβη, επικοινωνήστε με τον τεχνικό εγκατάστασης και αναφέρετε τα συμπτώματα, το πλήρες όνομα μοντέλου της μονάδας (εάν είναι δυνατόν και τον αριθμό κατασκευής) και την ημερομηνία εγκατάστασης.

14.1 Για να επιλύσετε τα προβλήματα με την κλιματιστική μονάδα

Η κλιματιστική μονάδα σας δεν λειτουργεί

Εάν η κλιματιστική μονάδα σας δεν λειτουργεί:

Ελέγξτε:	Εάν ναι,
Μήπως η κλιματιστική μονάδα έχει ΑΠΕΝΕΡΓΟΠΟΙΗΘΕΙ ;	ΕΝΕΡΓΟΠΟΙΗΣΤΕ την κλιματιστική μονάδα.
Υπάρχει διακοπή ρεύματος;	Αποκαταστήστε το ρεύμα.
Έχει πέσει ο διακόπτης ασφαλείας (η ασφάλεια);	Επικοινωνήστε με τον τεχνικό εγκατάστασης ή την εταιρεία συντήρησης.

Η κλιματιστική μονάδα σας δεν δροσίζει ή δεν θερμαίνει καλά

Εάν η κλιματιστική μονάδα σας δεν δροσίζει ή δεν θερμαίνει καλά:

Ελέγξτε:	Εάν ναι,
Υπάρχει εμπόδιο κοντά στην είσοδο αέρα ή στην έξοδο αέρα;	Αφαιρέστε το εμπόδιο.
Μήπως υπάρχουν ανοικτές πόρτες ή παράθυρα;	Κλείστε τις πόρτες και τα παράθυρα.
Μήπως η κλιματιστική μονάδα λειτουργεί σε χαμηλή ταχύτητα ;	Επιλέξτε μεσαία ταχύτητα ή υψηλή ταχύτητα .
Μήπως είναι βρώμικα τα φίλτρα;	Επικοινωνήστε με τον τεχνικό εγκατάστασης ή την εταιρεία συντήρησης.

Υπάρχει διαρροή νερού από την κλιματιστική μονάδα σας

Διακόψτε τη λειτουργία της μονάδας και επικοινωνήστε με τον τεχνικό εγκατάστασης ή την εταιρεία συντήρησης.

Όταν η κλιματιστική μονάδα σας δεν λειτουργεί καλά, μπορείτε να προσπαθήσετε να επιλύσετε οποιοδήποτε πρόβλημα με τις διορθωτικές ενέργειες αυτού του κεφαλαίου.

Εάν το πρόβλημα παραμένει ή δεν αντιμετωπίζεται σε αυτό το κεφάλαιο, επικοινωνήστε με τον τεχνικό εγκατάστασης ή την εταιρεία συντήρησης.

14.2 Αλλαγή θέσης

Επικοινωνήστε με τον οικείο αντιπρόσωπο για να αφαιρέσετε ή να εγκαταστήσετε ξανά ολόκληρη τη μονάδα. Η μεταφορά των μονάδων είναι απαραίτητο να γίνεται από πεπειραμένο τεχνικό.

15 Απόρριψη

- Οι μονάδες φέρουν το εξής σύμβολο:



Αυτό σημαίνει ότι οι ηλεκτρικές και ηλεκτρονικές συσκευές ΔΕΝ πρέπει να αναμειγνύονται με οικιακά απορρίμματα που δεν έχουν υποβάλλονται σε διαλογή. ΜΗΝ προσπαθήσετε να αποσυναρμολογήσετε μόνοι σας το σύστημα: η αποσυναρμολόγηση του συστήματος, ο χειρισμός του ψυκτικού, του λαδιού και των άλλων τμημάτων ΠΡΕΠΕΙ να πραγματοποιείται από εξουσιοδοτημένο τεχνικό εγκατάστασης και σύμφωνα με την ισχύουσα νομοθεσία.

Οι μονάδες ΠΡΕΠΕΙ να υποβάλλονται σε επεξεργασία σε ειδική εγκατάσταση επεξεργασίας για επαναχρησιμοποίηση, ανακύκλωση και ανάκτηση. Φροντίζοντας για τη σωστή απόρριψη

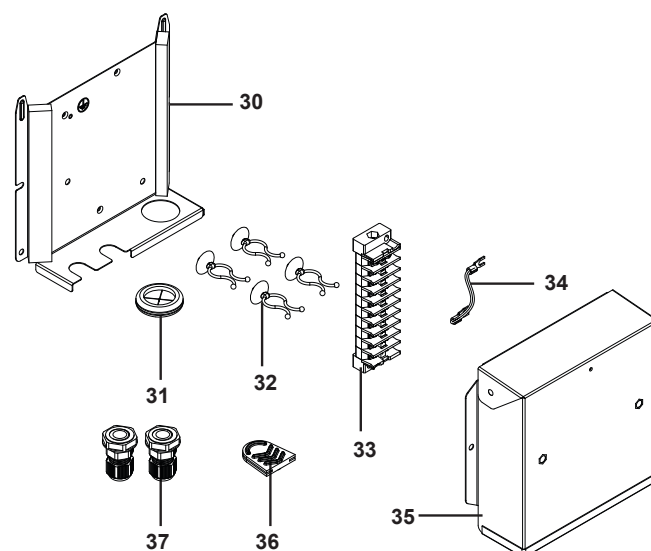
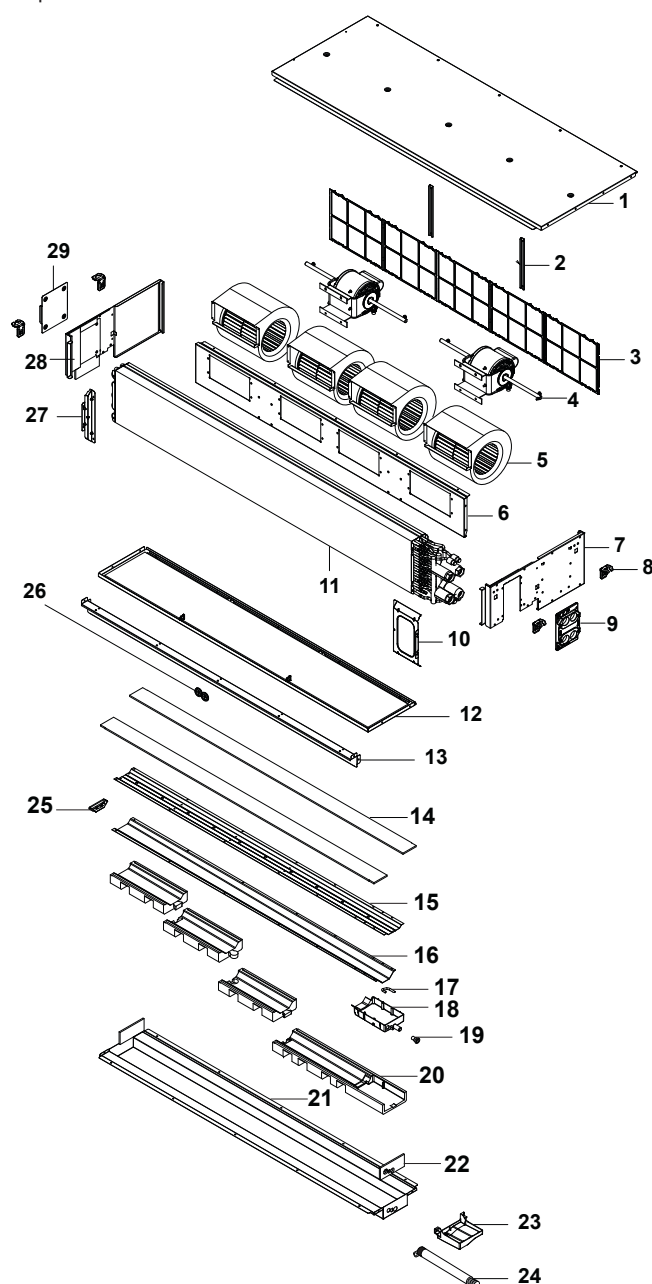
του προϊόντος, θα συμβάλλετε στην αποφυγή των πιθανών αρνητικών επιπτώσεων για το περιβάλλον και την ανθρώπινη υγεία. Για περισσότερες πληροφορίες, επικοινωνήστε με τον τεχνικό εγκατάστασης ή την αρμόδια τοπική αρχή.

! ΕΙΔΟΠΟΙΗΣΗ

ΜΗΝ προσπαθήσετε να αποσυναρμολογήσετε μόνοι σας το σύστημα: η αποσυναρμολόγηση του συστήματος, ο χειρισμός του ψυκτικού, του λαδιού και των άλλων τμημάτων ΠΡΕΠΕΙ να συμμορφώνονται με την ισχύουσα νομοθεσία. Οι μονάδες ΠΡΕΠΕΙ να υποβάλλονται σε επεξεργασία σε ειδική εγκατάσταση επεξεργασίας για επαναχρησιμοποίηση, ανακύκλωση και ανάκτηση.

Μετά από την εγκατάσταση, ο τεχνικός εγκατάστασης υποχρεούται να επαληθεύσει τη σωστή λειτουργία. Εάν κάτι δεν πάει καλά στη μονάδα και δεν λειτουργεί, επικοινωνήστε με τον τοπικό αντιπρόσωπο.

Χρησιμοποιήστε το κατάλληλο εργαλείο για να αφαιρέσετε τις βίδες. Το προϊόν μπορεί να αποσυναρμολογηθεί όπως φαίνεται παρακάτω.

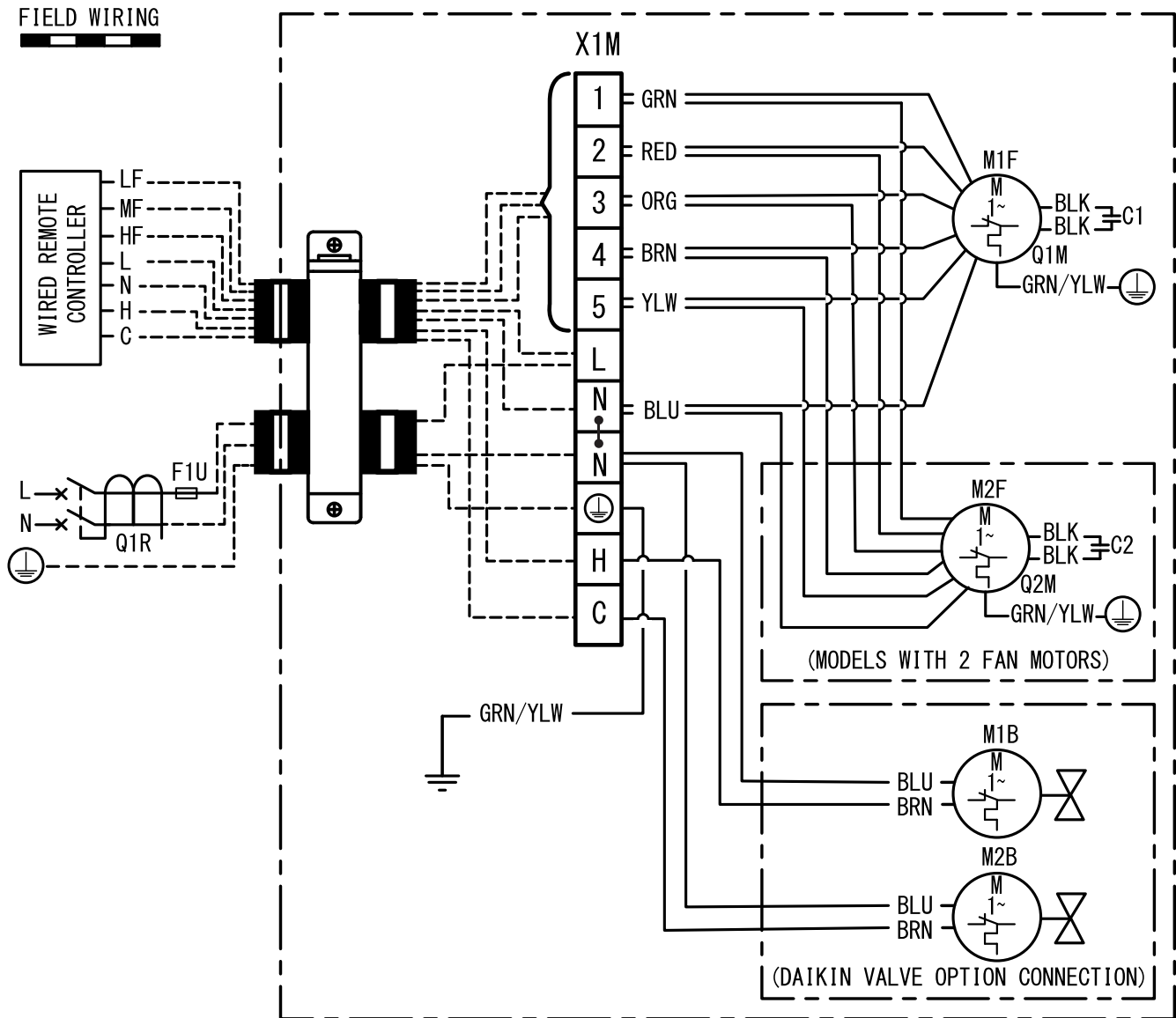


Υλικά	Στοιχείο
Ηλεκτρικό εξάρτημα (μοτέρ ανεμιστήρα + πυκνωτής)	4
Αλουμίνιο (πτερύγιο) + χαλκός (σωλήνας) + γαλβανισμένος χάλυβας (πλάκα) + ορείχαλκος + αφρός πλαστικού	11
Πλαστικό	9, 18, 23, 24, 32, 37
Πλαστικός αφρός	14, 22
Πλαστικό + μέταλλο	33, 34
Πλαστικό (σκελετός) + πλαστικό (πλέγμα)	3
Γαλβανισμένος χάλυβας	2, 5, 6, 8, 13, 15, 16, 21, 27
Γαλβανισμένος χάλυβας + πλαστικός αφρός	1, 7, 10, 12, 28, 29, 30, 35
Καουτσούκ	19, 25, 26, 31, 36
EPP	20
Χαλκός	17

16 Τεχνικά χαρακτηριστικά

Υπόσύνολο των τελευταίων τεχνικών δεδομένων υπάρχει στην περιφερειακή ιστοσελίδα Daikin (δημόσια προσβάσιμη). Το πλήρες σετ των πιο πρόσφατων τεχνικών δεδομένων είναι διαθέσιμο στην Daikin Business Portal (απαιτείται έλεγχος ταυτότητας).

16.1 Διάγραμμα καλωδίωσης



Υπόμνημα για διαγράμματα καλωδίωσης:

C1 , C2	Πυκνωτής
F1U	Ασφάλεια χώρου εγκατάστασης
M1F, M2F	Μοτέρ ανεμιστήρα
M1B	Ενεργοποιητής θέρμανσης
M2B	Ενεργοποιητής ψύξης
Q1M , Q2M	Θερμική προστασία
Q1R	Ασφαλειοδιακόπτης διαρροής
X1M	Πλακέτα ακροδεκτών
L	Φάση
N	Ουδέτερο
1	Χαμηλότερη ταχύτητα
5	Υψηλότερη ταχύτητα
H	Βαλβίδα θέρμανσης
C	Βαλβίδα ψύξης
LF	Χαμηλή ταχύτητα ανεμιστήρα

MF	Μεσαία ταχύτητα ανεμιστήρα
HF	Ταχύτητα ανεμιστήρα
	Προστατευτική γείωση
	Γείωση

Χρώματα:

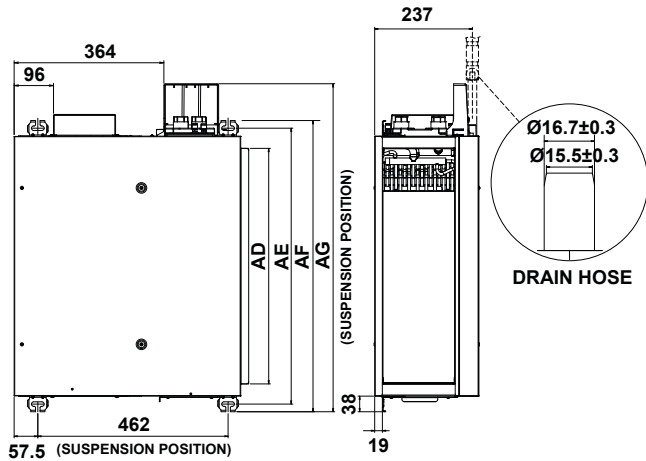
BLK	Μαύρο
BLU	Μπλε
BRN	Καφέ
GRN	Πράσινο
ORG	Πορτοκαλί
RED	Κόκκινο
YLW	Κίτρινο

Σημειώσεις:

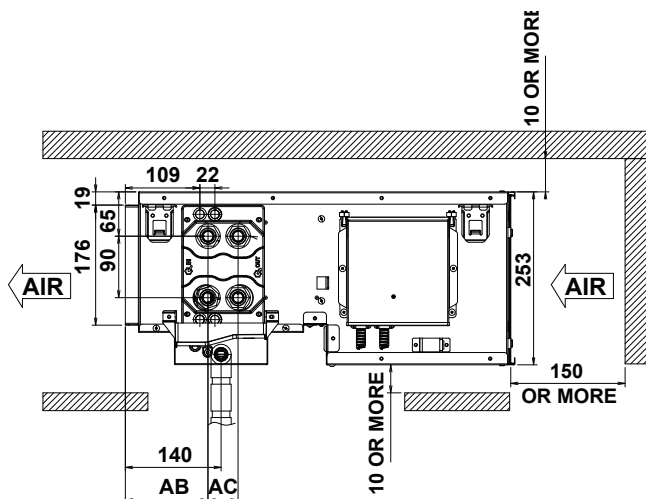
- 1 □□□□: Κλέμα □□□□: Καλωδιώσεις χώρου εγκατάστασης.
- 2 Ανατρέξτε στο εγχειρίδιο εγκατάστασης για τις απαιτήσεις ισχύος

16.2 Διαστάσεις

Επισκόπηση



ΜΟΝΤΕΛΟ	AD	AE	AF	AG
FWE04&05 &06F	572	670	707	797
FWE08&10 &12F	877	975	1012	1102
FWE14&16 F	1187	1285	1322	1412
FWE20&24 F	1487	1585	1622	1712



ΜΟΝΤΕΛΟ	AB	AC
FWE04&05&06&08&10&12F	118	50
FWE14&16&20&24F	121	44

17 Απαιτήσεις στοιχείων για οικολογικό σχεδιασμό


P rated,c	P rated,c	P rated,h	P elec	LWA
(GB) Cooling capacity (sensible) (D) Kühlleistung (sensibel) (F) Puissance de rafraîchissement (sensible) (NL) Koelcapaciteit (voelbaar) (E) Capacidad de refrigeración (sensibilidad) (E) Capacitat de refrigerament (sensibilitat) (GR) Απώδοση ψύξης (αισθητήρι) (P) Capacidad de arrefecimento (sensível) (TR) Soğutma kapasitesi (duyarlı) (BG) Хладопроизводителност (сенна) (S) Kyliningskapacitet (känslig) (N) Avkjølingskapasitet (følbart) (CZ) Chladicí výkon (citelný) (HR) Kapacitet hlađenja (osjetljivo) (H) Hűtési teljesítmény (érzekeny) (RO) Capacitate de răcire (fără dezumidificare) (SD) Моќ хлаѓења (зазнавна) (SK) Kapacita chladienia (učelná) (ES) Capacidad de refrigeración (práctico) (PL) Wydajność chłodnicza (ławna) (DK) Kølekapacitet (mærkbart) (FIN) Jäähdytyskapasiteetti (järkevä) (EST) Jahutusvõimsus (mõeldukas) (LV) Dzesāšanas kapacitāte (jūtama) (LT) Vėsinimo galia (tikroji) (AL) Kapaciteti i ftohjes (në gjendje gjumi) (SRB) Kapacitet hlađenja (opipljiv)	(GB) Cooling capacity (latent) (D) Kühlleistung (latent) (F) Puissance de rafraîchissement (latente) (NL) Koelcapaciteit (latent) (E) Capacidad de refrigeración (latente) (E) Capacitat de refrigerament (latente) (GR) Απώδοση ψύξης (ακίνητος) (P) Capacidad de arrefecimento (latente) (TR) Soğutma kapasitesi (gizli) (BG) Хладопроизводителност (скрыта) (S) Kyliningskapacitet (latent) (N) Avkjølingskapasitet (latent) (CZ) Chladicí výkon (latentní) (HR) Kapacitet hlađenja (latentno) (H) Hűtési teljesítmény (látens) (RO) Capacitate de răcire (cu dezumidificare) (SD) Моќ хлаѓења (латентна) (SK) Kapacita chladienia (latentná) (ES) Capacidad de refrigeración (latente) (PL) Wydajność chłodnicza (ujajona) (DK) Kølekapacitet (skjult) (FIN) Jäähdytyskapasiteetti (latentti) (EST) Jahutusvõimsus (latentne) (LV) Dzesāšanas kapacitāte (latentā) (LT) Vėsinimo galia (latentinė) (AL) Kapaciteti i ftohjes (në gjendje gjumi) (SRB) Kapacitet hlađenja (latentan)	(GB) Heating capacity (D) Heizleistung (F) Puissance de chauffage (NL) Verwarmingscapaciteit (E) Capacidad de calefacción (E) Capacitat de riscaldament (GR) Απώδοση θέρμανσης (P) Capacidad de aquecimiento (TR) Isıtma kapasitesi (BG) Хладопроизводителност (S) VärmeKapacitet (N) Oppvarmingskapasitet (CZ) Topný výkon (HR) Kapacitet grijanja (H) Fűtési teljesítmény (RO) Capacitate de încălzire (SD) Моќ огревања (SK) Výkon ohrevu (ES) Capacidad de calefacción (práctico) (PL) Wydajność grzewcza (DK) Varmekapacitet (FIN) Lämmitysvoima (EST) Küttevõimsus (LV) Apsildes kapacitāte (LT) Šildymo galia (AL) Kapaciteti i ngrohjes (SRB) Kapacitet grijanja	(GB) Total electric power input (D) Elektrische Gesamtaufnahme (F) Entrée électrique totale (NL) Totaal opgenomen vermogen (E) Potencia eléctrica de entrada total (E) Capacitat elèctrica de entrada total (GR) Συνολική ηλεκτρική ισχύς εισόδου (P) Entrada de potência elétrica total (TR) Sıkilen toplam elektrik gücü (BG) Общизползувана електрическа мощност (S) Total effektingång (N) Total elektrisk strømeffekt (CZ) Celkový elektrický výkon (HR) Ukupna primljena snaga električne energije (H) Teljes áramfórás-bemenet (RO) Consum total de putere (SD) Skupna vhodna električna moć (SK) Celkový elektrický výkon (ES) Potencia eléctrica de entrada (práctico) (PL) Całkowita pobierana energia elektryczna (DK) Total elektrisk strømforsyning (FIN) Sähkötehon kokonaistulo (EST) Kogu elektriline sisendvõimsus (LV) Kopējā elektriskā ieejas jauda (LT) Bendroji elektros vartojamoji galia (AL) Konsumi total i energjisë elektrike (SRB) Ukupna ulazna električna snaga	(GB) Sound power level (per speed setting, if applicable) (D) Schalleistungspegel (je Geschwindigkeitseinstellung, falls zutreffend) (F) Niveau de puissance sonore (par réglage de vitesse, le cas échéant) (NL) Geluidsvermogeniveau (per snelheidsinstelling, indien van toepassing) (E) Nivel de potencia acústica (según ajuste de velocidad, si corresponde) (E) Livello di potenza sonora (per velocità impostata, se applicabile) (GR) Επίπεδο ηχητικής ισχύος (ανάρρησηση ταχύτητας, εφόσον διατίθεται) (P) Nivel de potencia acústica (por regulación de velocidad, se aplicável) (TR) Ses gücü seviyesi (mümkünse hız ayarı başına) (BG) Уroveň звукового давления (споразно настројне скорости, если применливо) (S) Ljudeffektsnivå (per hastighetsinställning, om tillämpligt) (N) Nivå på lydeffekt (per hastighetsinnstilling, hvis tilgjengelig) (CZ) Hladina akustického výkonu (dle nastavení otáček pokud je to použitelné) (HR) Razina jačine zvuka (postavka prema brzini, ako je primjenljivo) (H) Hangerőszint (sebességszinténként, ha alkalmazható) (RO) Nivel presiune sonoră (în funcție de turată, dacă este cazul) (SD) Ravan zvočne moći (gleda na postavitev hitrosti, če se uporablja) (SK) Úroveň akustického tlaku (na príslušné nastavenie rýchlosti, ak sa používa ako e príložnivo) (ES) Nivel de potencia acústica (por configuración de velocidad, si corresponde) (PL) Poziom mocy dźwięku (dla ustawienia prędkości, jeśli dotyczy) (DK) Støjniveau (efter hastighedsindstilling hvis relevant) (FIN) Äänen tehotas (nopeusseutuksen mukaan, jos sovellettavissa) (EST) Helivõimsuse tase (võimalusel olenevalt määratud kiirusest) (LV) Skanņas intensitātes līmenis (attiecīgā gadījumā – katram ātruma iestatījumam) (LT) Garso galingos lygis (vienai greičio nuostatai, jei taikytina) (AL) Niveli i fuqisë së tingullit (për cilësim shtepësi, nëse aplikohet) (SRB) Nivo zvučne snage (po podešenoj brzini, ako je primenljivo)

P rated,c (latent)	P rated,h	Pelec	Lwa	Prated,c (sensible)	Prated,c (latent)	Prated,h	Pelec	Lwa
FWE04FF		1,8	0,057			52		
FWE05FF		2,0	0,057			53		
FWE06FF		2,7	0,079	FWE04FT		55	1,8	2,7
FWE08FF		3,5	0,094	FWE05FT		55	2,1	3,2
FWE10FF		3,7	0,109	FWE06FT		57	2,7	4,2
FWE12FF		4,3	0,122	FWE08FT		60	3,6	5,7
FWE14FF		5,6	0,170	FWE10FT		61	3,8	5,9
FWE16FF		6,3	0,189	FWE12FT		64	4,3	6,7
FWE20FF		8,3	0,180	FWE14FT		64	5,6	8,3
FWE24FF		9,7	0,224	FWE16FT		60	6,4	9,3
				FWE20FT		64	8,6	10,9
				FWE24FT		64	9,9	12,1

Índice

	13.6.1	Recomendações de manutenção e inspeção	159
	13.6.2	Ciclos encurtados de manutenção e substituições	160
14		Resolução de problemas	160
	14.1	Para resolver os problemas com o seu ventilador-convetor	160
	14.2	Mudança de local de instalação	161
15		Eliminação	161
16		Dados técnicos	162
	16.1	Esquema eléctrico	162
	16.2	Dimensões	163
17		Requisitos de informação para o design ecológico	164

1	Acerca da documentação
1.1	Acerca deste documento

 **AVISO**

Este aparelho pode ser utilizado por crianças a partir dos 8 anos de idade e por pessoas com capacidades físicas, mentais ou sensoriais reduzidas ou sem experiência e conhecimentos, desde que sob supervisão ou que tenham recebido instruções relativas ao uso do equipamento em segurança e que compreendam os perigos associados.

As crianças **NÃO DEVEM** brincar com o aparelho.

A limpeza e manutenção realizada pelo utilizador **NÃO DEVEM** ser levadas a cabo por crianças sem supervisão.

Público-alvo
Instaladores autorizados e utilizadores finais
INFORMAÇÕES
Este equipamento destina-se a ser utilizado num ambiente comercial, industrial ou empresarial.
Conjunto de documentação
Este documento faz parte de um conjunto de documentação. O conjunto completo é constituído por:
<ul style="list-style-type: none"> ▪ Medidas gerais de segurança: <ul style="list-style-type: none"> ▪ Instruções de segurança - ler antes de instalar ▪ Formato: Papel (na caixa da unidade de interior) ▪ Manual de instalação e funcionamento da unidade interior: <ul style="list-style-type: none"> ▪ Instruções de instalação e funcionamento ▪ Formato: Papel (na caixa da unidade de interior) ▪ Formato: ficheiros digitais em https://www.daikin.eu. Utilize a função de pesquisa 🔍 para procurar o seu modelo.
As mais recentes revisões da documentação fornecida estão disponíveis no website Daikin regional e está disponível através do seu revendedor.
As instruções foram escritas originalmente em inglês. Todas as versões noutras línguas são traduções da redacção original.
Dados de engenharia
<ul style="list-style-type: none"> ▪ Um subconjunto dos mais recentes dados técnicos está disponível no website regional Daikin (de acesso público). ▪ O conjunto completo dos dados técnicos mais recentes está disponível no Daikin Business Portal (autenticação necessária).

2 Instruções específicas de segurança do instalador

1.2 Significado dos avisos e símbolos



PERIGO

Indica uma situação que resulta em morte ou ferimentos graves.



PERIGO: RISCO DE ELECTROCUSSÃO

Indica uma situação que poderá resultar em eletrocussão.



PERIGO: RISCO DE QUEIMADURA/ESCALDADURA

Indica uma situação que pode resultar em queimaduras/escaldaduras devido a temperaturas extremamente quentes ou frias.



AVISO

Indica uma situação que pode resultar em morte ou ferimentos graves.



AVISO

Indica uma situação que pode resultar em ferimentos menores ou moderados.



AVISO


Indica uma situação que pode resultar em danos materiais ou no equipamento.



INFORMAÇÕES

Apresenta dicas úteis ou informações adicionais.

Símbolos utilizados na unidade:

Símbolo	Explicação
	Antes da instalação, leia o manual de instalação e operação e a folha das instruções de ligação.

1.3 Geral

Se NÃO tiver a certeza de como instalar ou utilizar a unidade, contacte o seu representante.



AVISO

A instalação ou fixação inadequada de equipamento ou acessórios pode resultar em choque elétrico, curto-circuito, fugas, incêndio ou outros danos no equipamento. Utilize APENAS acessórios, equipamento opcional e peças sobressalentes feitas ou aprovadas por Daikin, salvo especificação em contrário.



AVISO

Certifique-se de que a instalação, os testes e os materiais aplicados cumprem a legislação aplicável (acima das instruções descritas na documentação da Daikin).



AVISO

Utilize equipamento de proteção pessoal adequado (luvas de proteção, óculos de segurança...) quando realizar tarefas de instalação, manutenção ou intervenções técnicas ao sistema.



AVISO

Rasgue e deite fora os sacos plásticos de embalagem, para que não fiquem ao alcance de ninguém, em especial de crianças, as quais NÃO podem brincar com estes.
Consequência possível: asfixia.



AVISO

Tome medidas adequadas de modo a evitar que a unidade possa ser utilizada como abrigo para animais pequenos. Se entrarem em contacto com os componentes elétricos, os animais pequenos podem provocar avarias, fumo ou um incêndio.



AVISO

NÃO toque na entrada de ar nem nas aletas de alumínio da unidade.



AVISO

- NÃO coloque nenhum objeto nem equipamento em cima da unidade.
- NÃO trepe, não se sente nem se apoie na unidade.



PERIGO: RISCO DE ELECTROCUSSÃO

- Certifique-se de que o sistema está ligado à terra correctamente.
- Desligue a fonte de alimentação antes de efectuar intervenções técnicas.
- Monte a tampa da caixa de distribuição antes de ligar a fonte de alimentação.



AVISO

- Verifique se o local de instalação pode suportar o peso da unidade. Uma instalação deficiente é perigosa. Também pode causar vibrações ou ruídos de funcionamento anormais.
- Preveja espaço suficiente para assistência técnica.
- NÃO instale a unidade de modo que esta esteja em contacto com o tecto ou a parede, pois isto pode causar vibrações.



PERIGO: RISCO DE ELECTROCUSSÃO

NÃO opere os ventilo-convetores com as mãos molhadas. Pode ocorrer um choque elétrico.



AVISO

Esta unidade contém componentes quentes e sob tensão elétrica.



AVISO

Se o cabo de alimentação ficar danificado, DEVE ser substituído pelo fabricante, por um técnico de assistência ou por alguém com qualificação semelhante, para evitar acidentes.

2 Instruções específicas de segurança do instalador

Observe sempre as seguintes instruções e regulamentos de segurança.



AVISO

Certifique-se de que a instalação, assistência técnica, manutenção e reparação cumprem as instruções da Daikin e a legislação aplicável (por exemplo, a regulamentação nacional do gás) e são realizadas APENAS por pessoal autorizado.



AVISO

A instalação deve ser efectuada por um instalador, devendo a escolha de materiais e a instalação cumprir a legislação aplicável. Na Europa, a norma aplicável é a EN378.



AVISO

Mantenha a cablagem de interligação afastada dos tubos de cobre sem isolamento térmico, pois esses tubos ficam muito quentes.



AVISO

Para paredes com uma estrutura de metal ou uma placa de metal, utilize um tubo embutido na parede e uma tampa da parede no orifício de passagem para evitar um possível aquecimento, choques eléctricos ou incêndios.



AVISO

- A tubagem deve ser montada de forma segura e protegida contra danos físicos.
- Mantenha a instalação das tubagens a um nível mínimo.



AVISO

- NÃO utilize peças eléctricas adquiridas localmente no interior do produto.
- NÃO ramifique a fonte de alimentação para a válvula, etc., a partir do bloco de terminais. Tal pode originar choques eléctricos ou um incêndio.

Para o instalador

3 Acerca da caixa

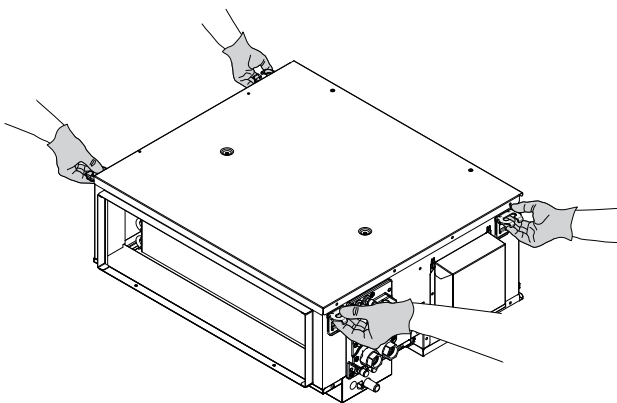
Tenha em mente o seguinte:

- Aquando da entrega, a unidade tem OBRIGATORIAMENTE de ser verificada quanto à existência de danos e à integridade. Quaisquer danos ou peças em falta têm OBRIGATORIAMENTE de ser imediatamente comunicados ao agente de reclamações da transportadora.
- Transporte a unidade embalada até ficar o mais próxima possível da posição de instalação final, para impedir danos no transporte.
- Prepare com antecedência o percurso pelo qual pretende trazer a unidade para a sua posição final de instalação.

3.1 Desempacotamento e manuseamento do ventilador-convector

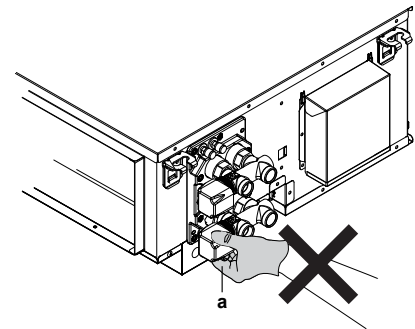
Quando levantar a unidade, utilize uma faixa ou fita de material macio ou placas de protecção em conjunto com uma corda. Desta forma, evita danos ou arranhões na unidade.

- 1 Levante a unidade pelos suportes de suspensão, sem exercer pressão nos demais componentes. Tenha especial cuidado com as tubagens de drenagem e o isolamento térmico.



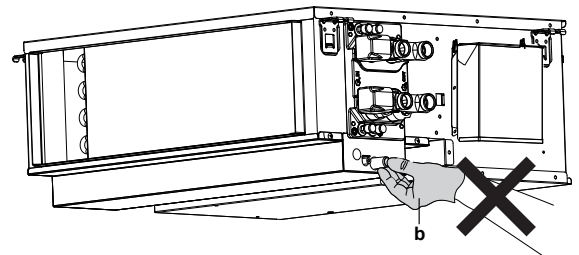
AVISO

NÃO levante a unidade pelos atuadores de válvula (a).



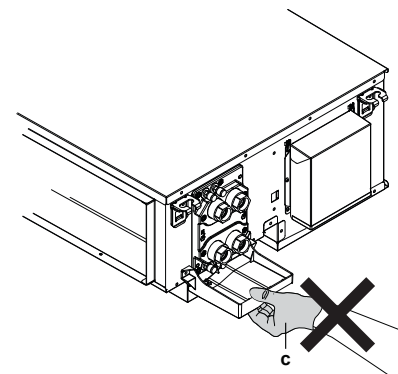
AVISO

NÃO levante a unidade pela tomada do recipiente de drenagem (b).



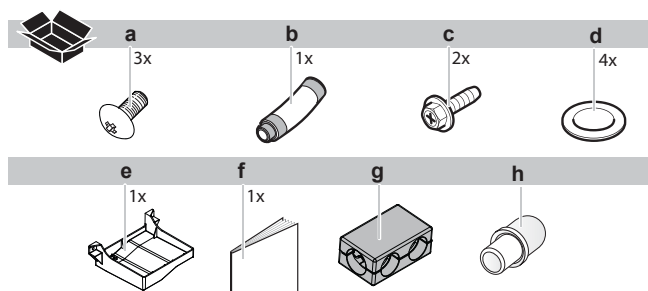
AVISO

NÃO levante a unidade pelo recipiente de subdrenagem (c).



4 Acerca das unidades e das opções

3.2 Remoção dos acessórios do ventilador-convetor



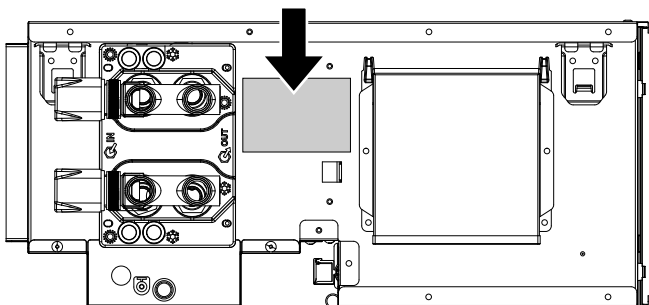
- a Parafuso M4 para o recipiente de subdrenagem 2x e mangueira de drenagem 1x
 - b Mangueira de drenagem 1x
 - c Parafuso M5 para FWESAP 2x
 - d Junta 4x
 - e Recipiente de subdrenagem 1x
 - f Manual de instalação e de funcionamento 1x
 - g Isolamento térmico para válvulas (tubo 2: 1x e tubo 4: 2x) (*)
 - h Tampa de alargamento 1x
- * Apenas modelos com válvula montada de fábrica

4 Acerca das unidades e das opções

4.1 Identificação

4.1.1 Etiqueta de identificação: Ventilador-convectores

Local



Identificação do modelo

Exemplo: FW E 04 F A T N 5 V3 --

Código	Descrição
FW	Ventilador-convetor de água
E	ESP baixo da conduta
F	Série do modelo maior
A	Alteração do modelo menor
T	2 tubos
F	4 tubos
N	Sem válvula
V	Válvula de 3 vias (ON/OFF - 230 V)
T	Válvula de 2 vias (ON/OFF - 230 V)
5	Fábrica Hendek
V1	1 Ph / 50 Hz / 220-240 V
-	Nenhuma opção
-	Água do lado esquerdo, ligação elétrica do lado esquerdo
R	Água do lado direito, ligação elétrica do lado direito

5 Instalação da unidade

5.1 Preparação do local de instalação



AVISO

Utilize SEMPRE condutas, isolamentos térmicos e uniões não inflamáveis; os materiais inflamáveis podem provocar um incêndio.



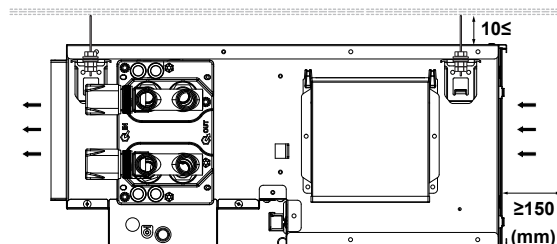
AVISO

A unidade deve ser instalada a pelo menos $\geq 2,5$ m do solo.



AVISO

O espaço entre o tecto e a unidade deve ser ≥ 10 mm e o espaço de sucção deve ser ≥ 150 mm.



INFORMAÇÕES

O nível de pressão sonora é inferior a 70 dBA.



AVISO

Aparelho elétrico NÃO destinado ao público em geral. Instale-o numa área segura, protegido contra acessos fáceis.

Esta unidade é adequada para a instalação em ambientes comerciais e de pequenas indústrias.



AVISO

Quando a instalação efetuada por baixo NÃO for possível, tais como em tetos muito altos, o acesso à unidade para instalação e assistência técnica deve ser possível a partir da parte superior do teto.

Selecione um local de instalação onde se verifiquem as seguintes condições, além da aprovação do cliente.

- O espaço em redor da unidade deve ser adequado para prestação de assistência técnica e manutenção. O espaço em redor da unidade deve permitir uma boa circulação e distribuição de ar. Veja o espaço necessário para a instalação.
- Certifique-se de que a área é bem ventilada. NÃO bloqueie quaisquer aberturas de ventilação.
- Certifique-se de que o local de instalação suporta o peso e a vibração da unidade.
- Certifique-se de que, em caso de fuga de água, esta não cause danos no espaço da instalação e sua envolvente.
- Escolha uma localização onde o ruído da operação ou o ar quente/frio descarregado da unidade não perturbará ninguém; a localização deve ser selecionada de acordo com a legislação aplicável.
- **Drenagem.** Certifique-se de que a água da condensação pode ser adequadamente evacuada.
- Em locais com má qualidade de recepção, mantenha uma distância de pelo menos 3 metros, para evitar as interferências electromagnéticas noutros equipamentos; e utilize condutas para os cabos de alimentação e de transmissão.

▪ **Luzes fluorescentes.** Se instalar um controlo remoto (interface de utilizador) sem fios numa divisão com luzes fluorescentes, tenha em conta o seguinte para evitar interferências:

- Instale o controlo remoto (interface de utilizador) sem fios o mais perto possível da unidade interior.
- Instale a unidade interior o mais distante possível das luzes fluorescentes.

NÃO instale a unidade em locais habituais de trabalho. Em caso de trabalhos de construção (por ex., estaleiros de obras) onde se produz muito pó, é necessário cobrir a unidade.

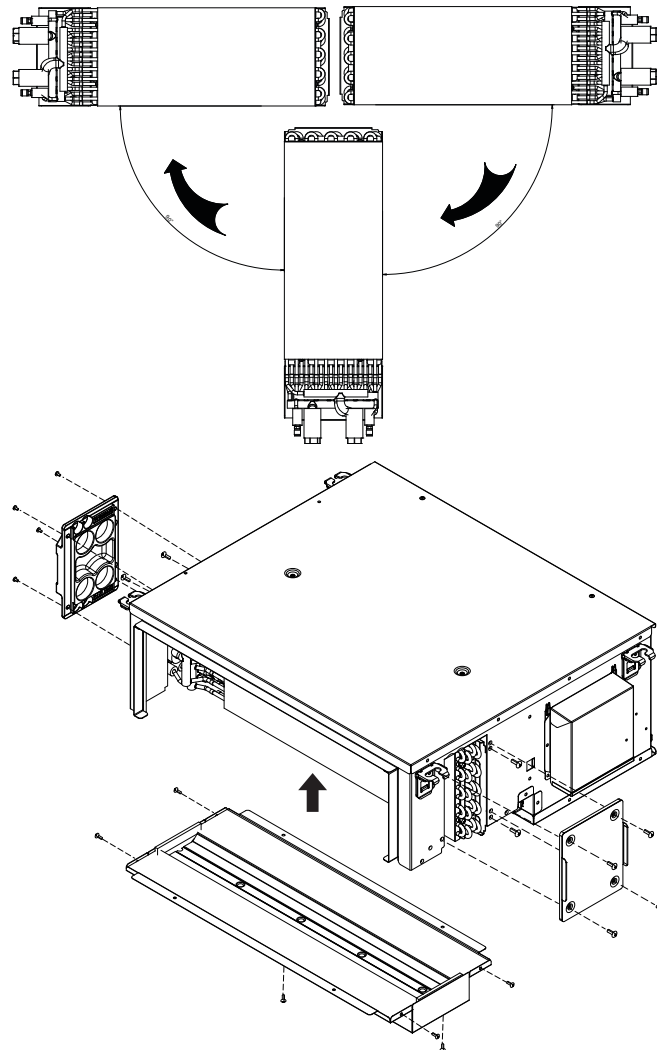
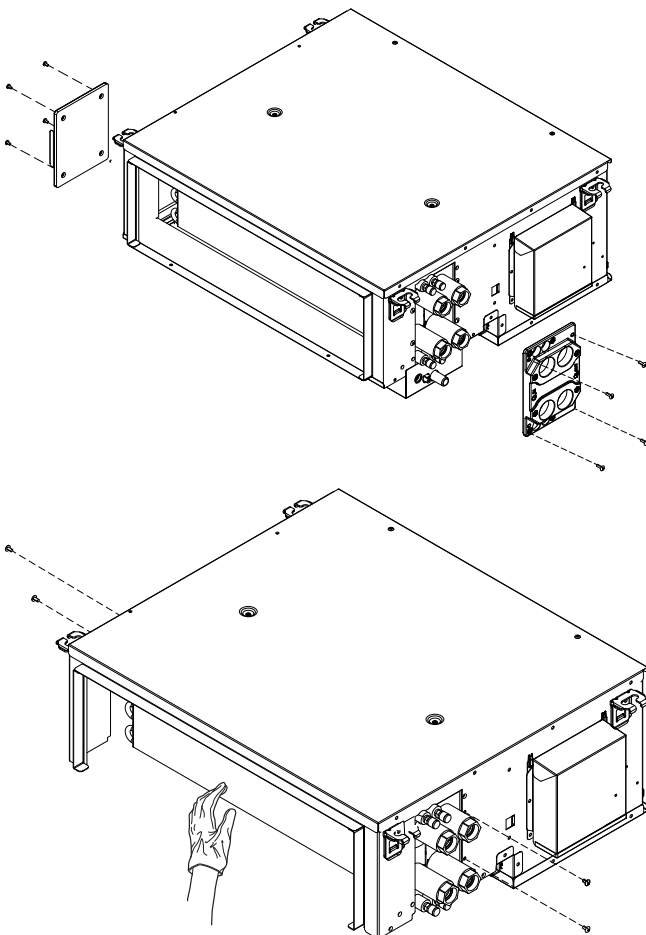
Não instale nem utilize a unidade em divisões com as seguintes características:

- Locais com óleo mineral ou cheios de vapor de óleo ou borrifos, como as cozinhas (os componentes plásticos podem deteriorar-se).
- Onde exista gás corrosivo, como o gás sulfuroso. A tubagem em cobre e os pontos soldados podem sofrer corrosão.
- Onde o ar contenha níveis elevados de sal, como, por exemplo, perto da costa, e onde haja grande flutuação de tensão (por exemplo, em fábricas). Evitar também veículos ou embarcações.
- Em locais onde existam máquinas que emitam ondas electromagnéticas. As ondas eletromagnéticas podem interferir com o sistema de controle e causar mau funcionamento do equipamento.
- Em locais onde exista o risco de incêndio devido à fuga de gases inflamáveis (exemplo: diluente ou gasolina), fibra de carbono e pó inflamável.
- A unidade NÃO pode ser instalada numa casa de banho.

5.2 Intercambialidade

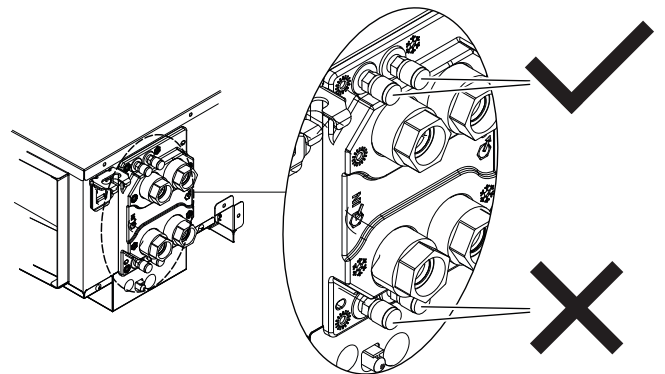
A direção do produto deve ser alterada no solo.

Retire a folha metálica de cobertura da placa lateral da unidade.



AVISO

Utilize sempre as purgas de ar superiores.

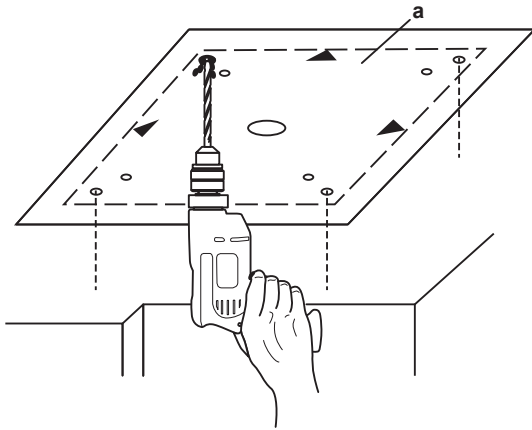


5.3 Montagem da unidade

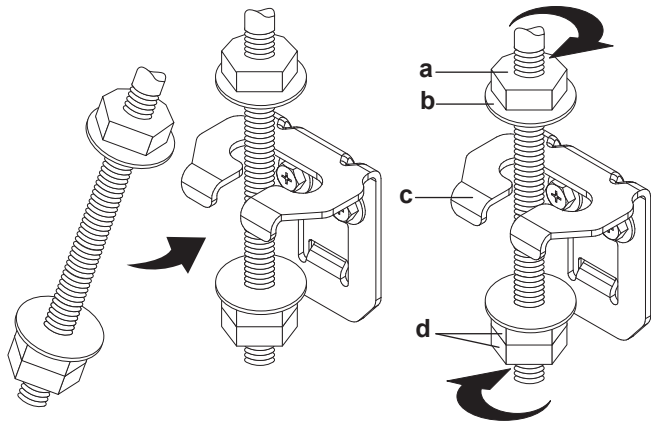
5.3.1 Instalação dos varões roscados

Utilize o padrão para determinar as posições dos varões roscados (parte superior da embalagem). As posições dos varões roscados são indicadas no molde de instalação. Os furos podem ser feitos colocando o molde de instalação no teto.

5 Instalação da unidade



a Molde de instalação, em papel. (parte superior da embalagem)

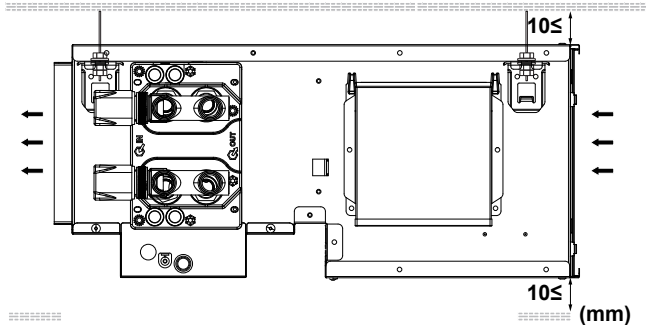


a Porca (fornecimento local)
b Anilha (fornecimento local)
c Suporte de suspensão
d Porca dupla (fornecimento local)

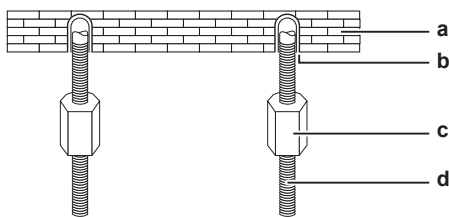
5.3.2 Montar a unidade

Faça a abertura no teto necessária para a instalação num local apropriado. Poderá ser necessário reforçar a estrutura do teto falso para o manter nivelado e evitar que vibre.

Consulte o construtor para obter mais pormenores.

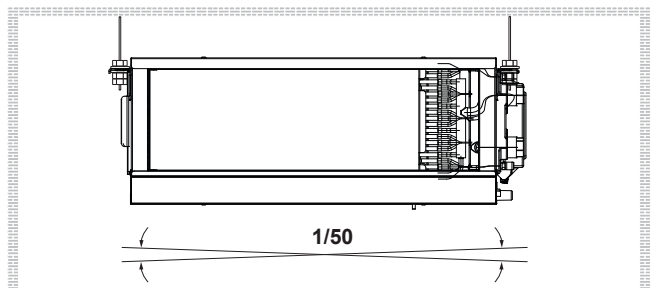


- **Resistência do teto.** Verifique se o teto é suficientemente forte para aguentar o peso da unidade. Se houver alguma insegurança, reforce o teto antes de instalar a unidade.
 - Nos tetos já existentes, utilize parafusos helicoidais.
 - Nos tetos novos, utilize insertos embutidos, parafusos helicoidais embutidos ou outras peças fornecidas localmente.



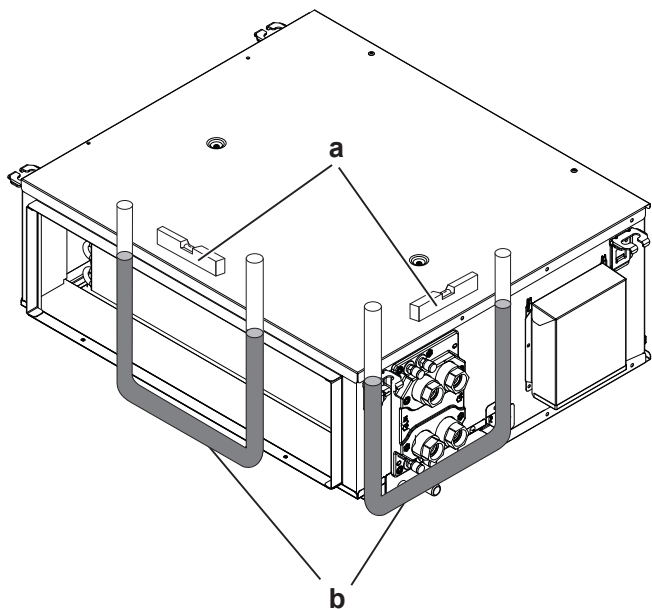
a Placa do teto
b Parafuso helicoidal
c Porca comprida ou tensor
d Varão roscado

- **Varões roscados.** Utilize varões roscados M8~M10 na instalação. Encaixe o suporte de suspensão no varão roscado. Fixe-o bem, utilizando uma porca e uma anilha por cima e por baixo do suporte de suspensão.



- Ajuste a unidade à posição correta de instalação.

- Verifique se a unidade está nivelada na horizontal.
- **Nível.** Certifique-se de que a unidade está nivelada nos 4 cantos utilizando um nível de bolha de ar ou um tubo plástico cheio de água.



a Nível
b Tubo plástico



AVISO

NÃO instale a unidade inclinada. **Consequência possível:** Se a unidade ficar inclinada no sentido contrário à direcção do fluxo da condensação (o lado da tubagem de drenagem fica levantado), pode pingar água.

5.4 Instalação da tubagem de água

5.4.1 Preparação da tubagem de água

Antes de realizar a instalação da tubagem de água, verifique os pontos seguintes:

- A pressão máxima da água é de 1,6 MPa.
- A unidade está equipada com uma entrada de água e uma saída de água para ligação ao circuito de água. O circuito de água deve ser fornecido por um instalador e deve estar em conformidade com a legislação aplicável.
- A temperatura mínima da água é de 5°C.
- A temperatura máxima da água é de 90°C.
- Certifique-se de que instala os componentes em tubagens locais que consigam suportar a pressão da água e a temperatura.
- Tome as devidas precauções no circuito de água para garantir que a pressão da água nunca ultrapassará a pressão de funcionamento máxima permitida.
- Instale um sistema adequado de drenagem para a válvula de segurança (caso esteja instalada), para evitar que a água entre em contacto com os componentes eléctricos.
- Instale válvulas de corte na unidade, para que possa ser efectuada a assistência técnica normal sem drenar o sistema.
- Instale torneiras de drenagem em todos os pontos baixos do sistema, para permitir uma drenagem total do circuito durante a manutenção ou assistência técnica.
- Instale válvulas de purga de ar em todos os pontos altos do sistema. As válvulas devem situar-se em pontos facilmente acessíveis para os trabalhos de assistência técnica.
- As tubagens devem ser protegidas de danos físicos.

AVISO

Certifique-se de que a qualidade da água está em conformidade com a diretiva da UE 2020/2184.

AVISO

É permitida a utilização de glicol, desde que a concentração NÃO seja superior a 40% do volume. Uma maior concentração de glicol pode danificar os componentes hidráulicos.

5.4.2 Ligação da tubagem de água

AVISO

Utilize sempre válvulas para controlar a circulação da água na unidade. Se o ventilador-convetor estiver desligado, mas a água continuar a circular na unidade, irá formar-se condensação na unidade e pode começar a escorrer água.

AVISO

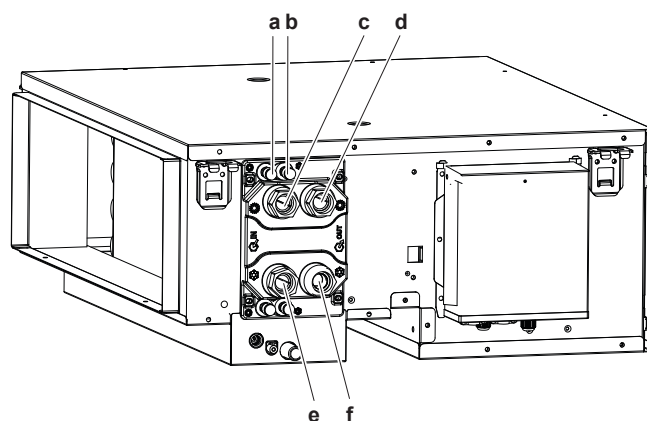
Não faça demasiada força ao ligar a tubagem. A tubagem da unidade poderá ficar deformada. As tubagens deformadas podem provocar mau funcionamento da unidade.

AVISO

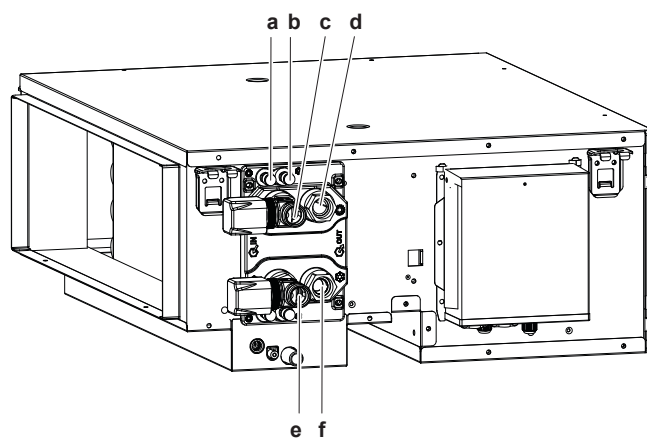
Certifique-se de que isola toda a tubagem. Qualquer tubagem exposta poderá originar condensação.



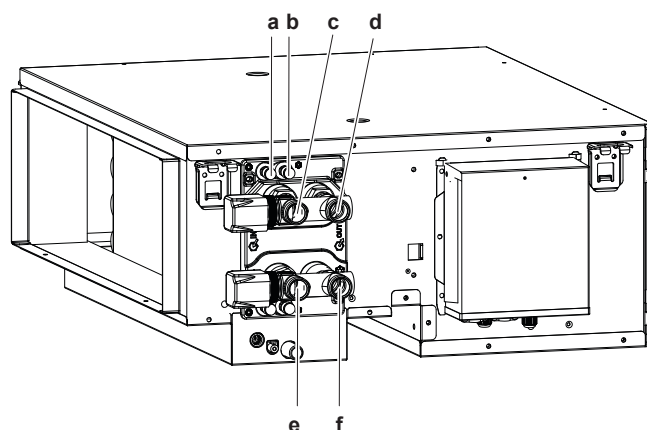
PERIGO: RISCO DE QUEIMADURA/ESCALDADURA



- a Purga de ar de aquecimento
- b Purga de ar de refrigeração
- c Entrada de água quente (3/4" fêmea BSP)
- d Saída de água quente (3/4" fêmea BSP)
- e Entrada de arrefecimento (3/4" fêmea BSP)
- f Saída de arrefecimento (3/4" fêmea BSP)

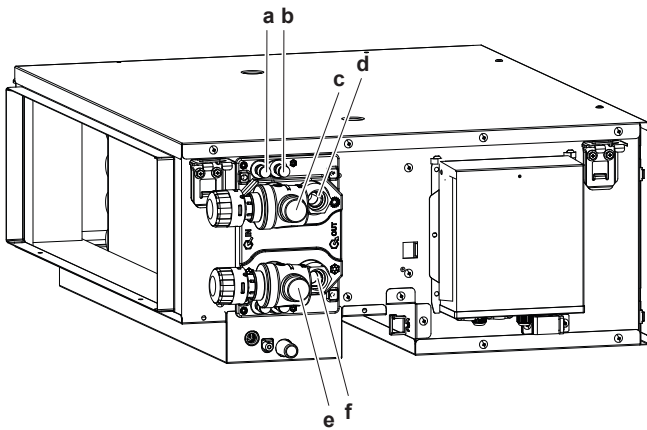


- a Purga de ar de aquecimento
- b Purga de ar de refrigeração
- c Entrada de água quente (DN3/4")
- d Saída de água quente (3/4" fêmea BSP)
- e Entrada de arrefecimento (DN3/4")
- f Saída de arrefecimento (3/4" fêmea BSP)

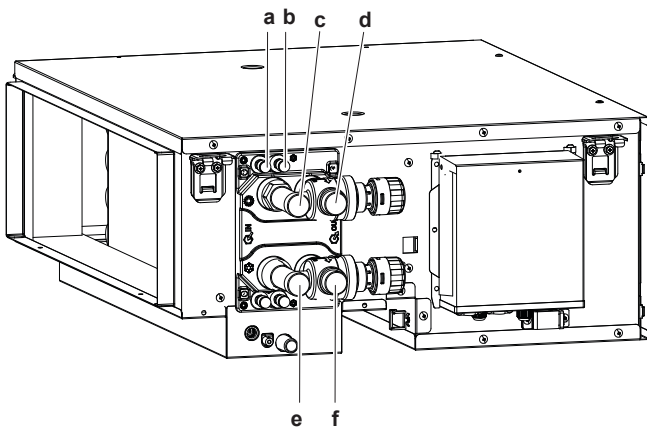


- a Purga de ar de refrigeração
- b Purga de ar de aquecimento
- c Entrada de água quente (DN3/4")
- d Saída de água quente (DN3/4")
- e Entrada de água fria (DN3/4")
- f Saída de água fria (DN3/4")

5 Instalação da unidade

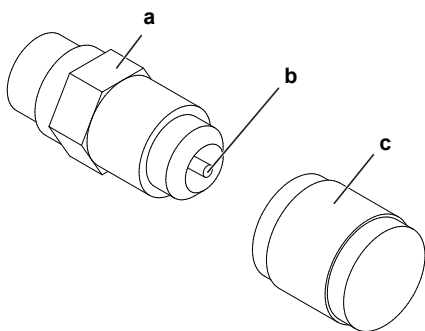


- a Purga de ar de aquecimento
- b Purga de ar de refrigeração
- c Entrada de água quente (DN3/4")
- d Saída de água quente (3/4" fêmea BSP)
- e Entrada de arrefecimento (DN3/4")
- f Saída de arrefecimento (3/4" fêmea BSP)



- a Purga de ar de aquecimento
- b Purga de ar de refrigeração
- c Entrada de água quente (DN3/4")
- d Saída de água quente (DN3/4")
- e Entrada de água fria (DN3/4")
- f Saída de água fria (DN3/4")

Para encher o circuito de água



- a Purga de ar
- b Válvula de descompressão
- c Proteção

Durante o abastecimento, pode não ser possível retirar todo o ar do sistema. O ar restante pode ser removido durante as primeiras horas de funcionamento da unidade. O ar pode ser removido da unidade através da válvula de purga de ar manual.

- 1 Abra a tampa.
- 2 Empurre a válvula de segurança para purgar o ar do(s) circuito(s) da água da unidade.
- 3 Feche a tampa.
- 4 Posteriormente, poderá ser necessário efetuar um abastecimento adicional de água (mas nunca através da válvula de purga de ar).



AVISO

A presença de ar no circuito da água pode provocar avarias. Durante o enchimento, pode não ser possível retirar todo o ar do circuito. O ar restante será retirado através das válvulas automáticas de purga de ar, durante as horas de funcionamento iniciais do sistema. Pode posteriormente ser necessário efetuar um enchimento adicional de água.



AVISO

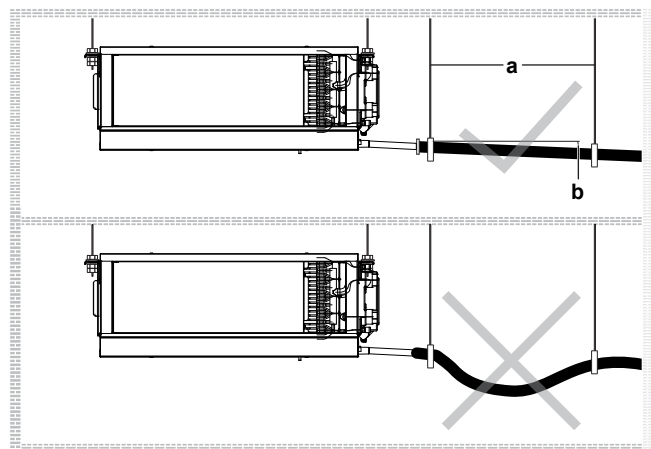
Certifique-se de que a qualidade da água está em conformidade com a diretiva da UE 2020/2184.

5.5 Instalação da tubagem de drenagem

5.5.1 Recomendações ao instalar a tubagem de drenagem

Recomendações gerais

- **Comprimento da tubagem.** A tubagem de drenagem deve ser tão curta quanto possível.
- **Dimensão do tubo.** A dimensão do tubo deve ser igual ou superior à do tubo de ligação (tubo plástico com um diâmetro nominal de 25 mm e um diâmetro exterior de 32 mm).
- **Condensação.** Tome medidas para evitar a condensação. Isole toda a tubagem de drenagem no edifício.
- **Inclinação.** Certifique-se de que a tubagem de drenagem fica inclinada para baixo (pelo menos 1/50) para evitar que o ar fique preso no interior da tubagem. Utilize barras de suspensão conforme indicado.



- a Barra de suspensão
- ✓ Permitido
- ✗ Não permitido

5.5.2 Ligação da tubagem de drenagem

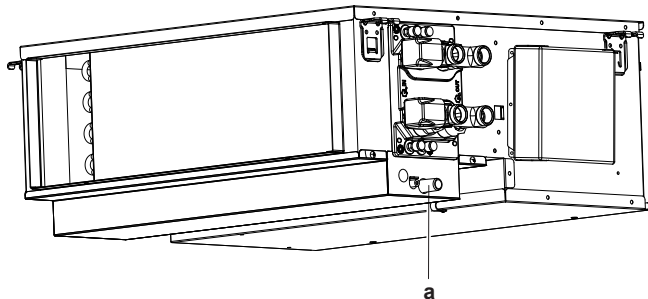
Ligar a tubagem de drenagem



AVISO

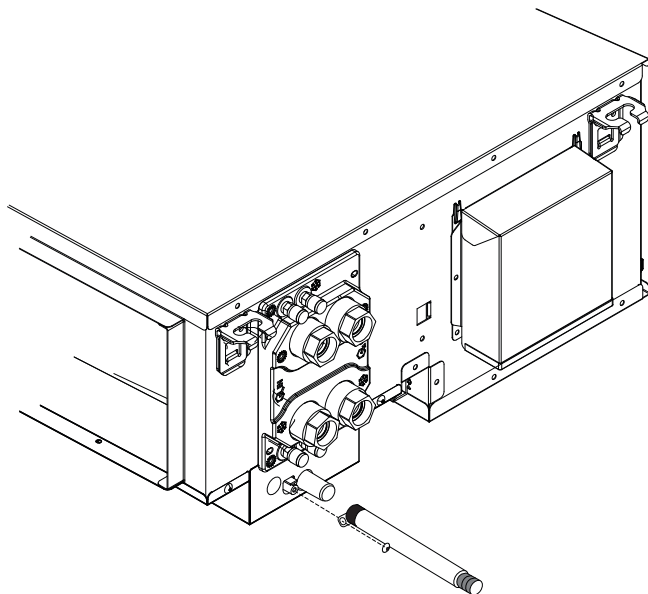
Uma ligação incorreta da mangueira de drenagem pode causar fugas, bem como danificar o espaço de instalação e a área em redor.

- 1 Empurre, tanto quanto possível, a mangueira de drenagem para dentro da tomada de drenagem.
- 2 Aperte o parafuso da mangueira de drenagem à superfície do recipiente de drenagem.
- 3 Verifique se há fugas de água.



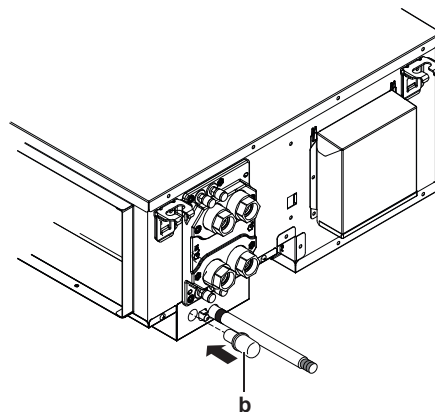
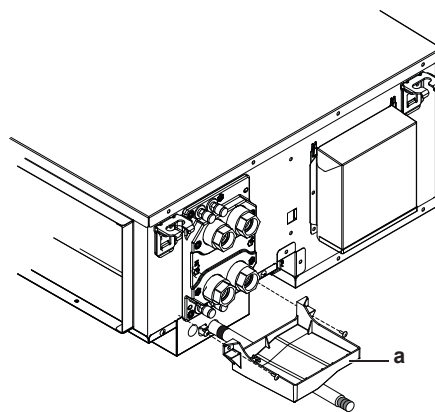
a Encaixe de esgoto

- 4 Introduza a mangueira de drenagem e aperte com o parafuso de fixação (conjunto de acessórios).



AVISO

A unidade deve ser utilizada com uma mangueira de drenagem. (O esquecimento de apertar esta mangueira pode provocar fugas de água e vibrações).

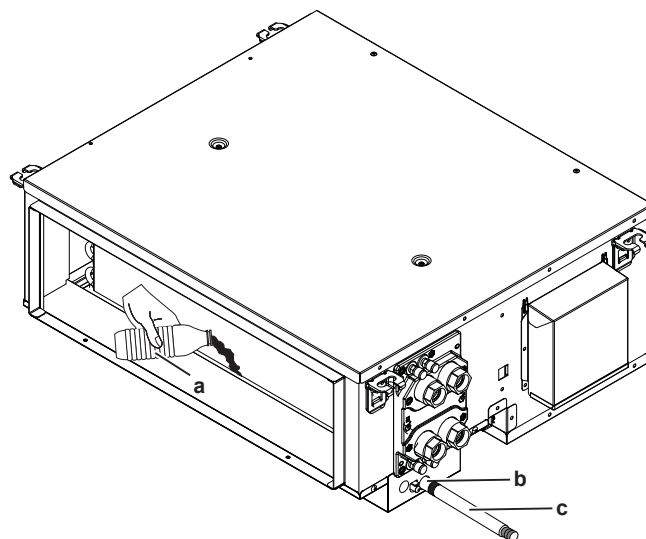


AVISO

Se o recipiente de subdrenagem (a) não for utilizado, o orifício do recipiente de subdrenagem deve ser fechado com uma tampa (b).

Quando a instalação eléctrica está concluída

- 1 Inicie a operação de refrigeração.
- 2 Coloque gradualmente cerca de 1 l de água através do orifício de saída de ar e, em seguida, verifique se existem fugas.



- a Cantil plástico com água
- b Saída de drenagem (utilize esta saída para drenar a água do recipiente de drenagem)
- c Mangueira de drenagem

6 Instalação elétrica

5.6 Instalação de equipamento opcional

5.6.1 Preparação de equipamento opcional



INFORMAÇÕES

Equipamento opcional. Quando instalar equipamento opcional, leia também o manual de instalação do equipamento opcional. Dependendo das condições do local, poderá ser mais fácil instalar primeiro o equipamento opcional.

Equipamento opcional	Código de identificação
Filtro G2	EKAF02G5A
	EKAF03G5A
Válvula de 2 vias - ON/OFF (AC 230 V)	EK02WV2V3W5A
	EK04WV2V3C5A
	EK06WV2V3C5A
Válvula de 3 vias - ON/OFF (AC 230 V)	EK02WV3V3W5A
	EK04WV3V3C5A
	EK06WV3V3C5A
Válvula proporcional (AC 24 V) 3 vias – válvula de 4 portas	EK02P3V24W5A
	EK04P3V24C5A
	EK06P3V24C5A
Controlo remoto	FWEC3A
Controlo remoto (para tubo 2)	FWEC2T
Controlo remoto (para tubo 4)	FWEC4T
Controlo remoto (painel de controlo)	FWEC3AP
Controlo remoto	FWEC3AC
Controlo remoto	FWTOUCHW
	FWTOUCHB
	FWTOUCHG
Kit de cabo das válvulas	EKER015A

5.6.2 Ligação de equipamento opcional

Especificações técnicas das válvulas

Valor Kvs	PN de pressão de funcionamento máxima (bar)	Unidade de alimentação do atuador
2,8	16	1 Ph, 230 V, 50-60 Hz
4		
6		

6 Instalação elétrica



PERIGO: RISCO DE ELECTROCUSSÃO



AVISO

Utilize SEMPRE um cabo multicondutor para os cabos de alimentação.



AVISO

Utilize um disjuntor do tipo omnipolar, com corte de contactos de pelo menos 3 mm que proporcione uma interrupção total em estado de sobretensão de categoria III.



AVISO

Se o cabo de alimentação ficar danificado, DEVE ser substituído pelo fabricante, por um técnico de assistência ou por alguém com qualificação semelhante, para evitar acidentes.

6.1 Preparação da instalação eléctrica



AVISO

Todas as ligações eléctricas locais e respetivos componentes DEVEM ser instalados por um electricista qualificado e estar em conformidade com a legislação aplicável.



PERIGO: RISCO DE ELECTROCUSSÃO



AVISO

DEVE incluir nas ligações eléctricas fixas um interruptor geral (ou outra forma de interrupção do circuito), com quebra de contacto em todos os pólos, em conformidade com a legislação aplicável.



AVISO

- Quando ligar o cabo de alimentação: ligue primeiro o fio de terra antes de efetuar as ligações condutoras de corrente (ativas).
- Ao desligar a alimentação: desligue primeiro os cabos condutores de corrente (ativos) antes de separar a ligação à terra.
- O comprimento dos condutores entre o encaixe de proteção contra tração mecânica do cabo de alimentação e a placa de bornes TEM DE ser tal que os condutores ativos (fases) fiquem esticados antes que o mesmo suceda ao condutor de terra, para a eventualidade de o cabo de alimentação ser puxado para fora do respetivo encaixe.



AVISO

- Depois de terminar o trabalho elétrico, confirme se todos os componentes elétricos e terminais dentro da caixa de distribuição estão ligados de forma segura.
- Certifique-se de que todas as tampas estão fechadas antes de colocar a unidade em funcionamento.



AVISO

NÃO aplique quaisquer cargas indutivas ou capacidade permanentes ao circuito sem se assegurar que tal NÃO excederá a tensão e corrente permitidas para o equipamento em utilização.



AVISO

O equipamento descrito neste manual pode originar ruído eletrónico, gerado por energia de radiofrequência. O equipamento segue especificações que foram concebidas para produzir um nível aceitável de proteção contra tais interferências. Contudo, não é possível garantir que nunca ocorram numa determinada instalação.

Recomenda-se, portanto, instalar o equipamento e os fios elétricos de tal forma que mantenham uma distância adequada de equipamentos de estêreo, computadores pessoais, etc.

**PERIGO: RISCO DE ELECTROCUSSÃO**

- DESLIGUE totalmente a fonte de alimentação antes de remover a tampa dos terminais do ventilador ao ligar os fios elétricos ou tocar em peças com corrente elétrica.
- Desligue a fonte de alimentação durante mais de 10 minutos e meça a tensão nos terminais dos condensadores do circuito principal ou dos componentes elétricos, antes de efetuar intervenções técnicas. A tensão DEVE ser inferior a 50 V CC antes de poder tocar nos componentes elétricos. Para saber a localização dos terminais, consulte o esquema elétrico.
- NÃO toque nos componentes elétricos com as mãos molhadas.
- NÃO deixe a unidade sem supervisão quando a tampa dos terminais estiver removida.

**AVISO**

- Utilize APENAS fios de cobre.
- Certifique-se de que os componentes elétricos locais estão em conformidade com a legislação aplicável.
- Todas as ligações elétricas locais DEVEM ser estabelecidas de acordo com o esquema elétrico fornecido com o produto.
- Nunca aperte molhos de cabos e certifique-se de que não entram em contacto com a tubagem nem com arestas afiadas. Certifique-se de que não é aplicada qualquer pressão externa às ligações dos terminais.
- Certifique-se de que instala a ligação à terra. NÃO efetue ligações à terra da unidade através de canalizações, acumuladores de sobretensão ou fios de terra da rede telefónica. Uma ligação à terra incompleta pode originar choques elétricos.
- Certifique-se de que instala os disjuntores ou fusíveis necessários.
- Certifique-se de que instala um disjuntor de fugas para a terra. Caso contrário, podem verificar-se choques elétricos ou um incêndio.

6-1 Recomendações da cablagem local

	2 tubos									
	04	05	06	08	10	12	14	16	20	24
Corrente máxima de funcionamento (A)	0,27	0,27	0,38	0,44	0,48	0,53	0,81	0,88	0,88	1,06
Corrente máxima de funcionamento (A) com válvulasFN	0,34	0,34	0,45	0,51	0,55	0,60	0,88	0,95	0,95	1,13
Fusível de proteção contra sobretensões recomendado (A)	5									
Fase	1									
Frequência (Hz)	50									
Tensão (V)	220~240									
Tolerância de tensão (%)	±10									
Tamanho do fio (secção transversal mm²)	0,75~1,25									
Disjuntor contra fugas para a terra	Tem de estar em conformidade com a legislação aplicável									

6-2 Recomendações da cablagem local

	4 tubos									
	04	05	06	08	10	12	14	16	20	24
Corrente máxima de funcionamento (A)	0,26	0,26	0,37	0,43	0,50	0,56	0,79	0,87	0,83	1,04
Corrente máxima de funcionamento (A) com válvulasFN	0,33	0,33	0,44	0,50	0,57	0,63	0,86	0,94	0,90	1,11
Fusível de proteção contra sobretensões recomendado (A)	5									
Fase	1									
Frequência (Hz)	50									
Tensão (V)	220~240									
Tolerância de tensão (%)	±10									
Tamanho do fio (secção transversal mm²)	0,75~1,25									
Disjuntor contra fugas para a terra	Tem de estar em conformidade com a legislação aplicável									

6.2 Ligação da instalação elétrica**PERIGO: RISCO DE ELECTROCUSSÃO****AVISO**

Utilize SEMPRE um cabo multicondutor para os cabos de alimentação.

**AVISO**

Utilize um disjuntor do tipo omnipolar, com corte de contactos de pelo menos 3 mm que proporcione uma interrupção total em estado de sobretensão de categoria III.

**AVISO**

Se o cabo de alimentação ficar danificado, DEVE ser substituído pelo fabricante, por um técnico de assistência ou por alguém com qualificação semelhante, para evitar acidentes.

7 Ativação



AVISO

Cuidados a ter quando estender a cablagem de alimentação:



- NÃO ligue cabos de diferentes espessuras à placa de bornes de alimentação (a folga nos cabos de alimentação pode causar calor anormal).
- Quando ligar cabos da mesma espessura, proceda conforme ilustrado na figura anterior.
- Para as ligações eléctricas, utilize a cablagem de alimentação designada e ligue firmemente e, em seguida, prenda de modo a evitar que seja exercida pressão externa na placa de bornes.
- Utilize uma chave de fendas adequada para apertar os parafusos do terminal. Uma chave de fendas com uma cabeça pequena irá danificar a cabeça e tornar o aperto correcto impossível.
- Se apertar os parafusos do terminal em demasia, pode parti-los.



AVISO

- Siga o esquema eléctrico (fornecido com a unidade, localizado no interior da tampa para assistência técnica).
- Para obter instruções sobre como ligar o equipamento opcional, consulte o manual de instalação fornecido com o equipamento opcional.
- Certifique-se de que as ligações eléctricas NÃO bloqueiam a reinstalação correcta da tampa para assistência técnica.

É importante manter a fonte de alimentação e a cablagem de transmissão separadas uma da outra. Para evitar quaisquer interferências eléctricas, a distância entre ambas as ligações eléctricas deve ser SEMPRE de pelo menos 50 mm.



AVISO

Certifique-se de que as linhas de alimentação e de transmissão estão afastadas uma da outra. A cablagem de transmissão e a de alimentação podem cruzar-se, mas NÃO seguir em paralelo.

7 Ativação



AVISO

NÃO interrompa o teste de funcionamento.

7.1 Lista de verificação antes da ativação

- 1 Após a instalação da unidade, verifique os itens abaixo listados.
- 2 Feche a unidade.
- 3 Ligar a unidade.

<input type="checkbox"/>	Leu integralmente as instruções de instalação, tal como descrito no guia de referência do instalador .
<input type="checkbox"/>	As unidades interiores estão montadas adequadamente.
<input type="checkbox"/>	NÃO há fases em falta nem inversões de fase .
<input type="checkbox"/>	O sistema está corretamente ligado à terra e os terminais de ligação à terra estão apertados.
<input type="checkbox"/>	Os fusíveis ou os dispositivos de protecção localmente instalados são instalados em conformidade com este documento e NÃO foram desviados.
<input type="checkbox"/>	A tensão da fonte de alimentação corresponde à tensão indicada na placa de especificações da unidade.
<input type="checkbox"/>	NÃO existem ligações soltas nem componentes eléctricos danificados na caixa de distribuição.
<input type="checkbox"/>	NÃO existem componentes danificados nem tubos estrangulados dentro das unidades de interior e de exterior.
<input type="checkbox"/>	O tamanho correcto dos tubos está instalado e os tubos estão adequadamente isolados.

Para o utilizador

8 Instruções de segurança do utilizador

Observe sempre as seguintes instruções e regulamentos de segurança.

8.1 Instruções para um funcionamento seguro



AVISO

NÃO introduza os dedos, paus ou outros objetos nas entradas e saídas de ar. Se a ventoinha estiver em alta rotação, tal pode originar lesões.



AVISO: Preste atenção à ventoinha!

É perigoso inspecionar a unidade com a ventoinha a trabalhar.

Certifique-se de que DESLIGADA o interruptor principal, antes de executar qualquer tarefa de manutenção.



AVISO

Após um longo período de utilização, verifique o estado da base da unidade e respetivos apoios. Caso estejam danificados, a unidade pode tombar, podendo ferir alguém.



AVISO

A exposição ao fluxo de ar por longos períodos não é benéfica para a saúde.

**AVISO**

NUNCA toque nos componentes internos do controlo remoto.

**PERIGO: RISCO DE ELECTROCUSSÃO**

Para limpar o ar condicionado ou o filtro de ar, certifique-se de parar o funcionamento e **DESLIGADA** todas as fontes de alimentação. Caso contrário, pode ocorrer um ferimento ou choque elétrico.

**AVISO**

Mantenha todas as aberturas de ventilação necessárias livres de obstruções.

**AVISO**

Pare o funcionamento e DESLIGADA a alimentação perante uma situação anormal (cheiro a queimado, etc.).

Se deixar a unidade a trabalhar em tais circunstâncias, podem ocorrer avarias, choques elétricos ou um incêndio. Contacte o seu revendedor.

**AVISO**

NUNCA toque na saída do ar ou nas lâminas horizontais enquanto a válvula giratória estiver em funcionamento. Pode ficar com os dedos trilhados ou avariar a unidade.

**AVISO**

NÃO coloque frascos de aerossóis inflamáveis perto do ar condicionado, NEM utilize aerossóis perto da unidade. Tal pode originar um incêndio.

**AVISO**

Antes de utilizar a unidade, certifique-se de que a instalação foi efetuada corretamente por um instalador.

**AVISO**

O aparelho deve ser armazenado de modo a evitar danos mecânicos, numa divisão bem ventilada, sem fontes de ignição em operação contínua (aberto a gás ou um aquecedor elétrico em operação). A dimensão da divisão deve ser especificada nas medidas gerais de segurança.

9

O sistema

**AVISO**

NÃO modifique, desmonte, retire nem volte a instalar a unidade, nem lhe efetue reparações por iniciativa própria: desmontagem ou instalação incorretas podem causar choques elétricos ou um incêndio. Contacte o seu revendedor.

**AVISO**

NÃO utilize o sistema para outros fins. Para evitar deterioração de qualidade, NÃO use a unidade para arrefecimento de instrumentos de precisão, produtos alimentares, plantas, animais nem obras de arte.

**AVISO**

Para modificações ou expansões futuras do sistema:

Nos dados técnicos de engenharia, apresenta-se uma visão geral das combinações admissíveis (para expansões futuras do sistema), que deve ser consultada. Contacte o instalador, para receber mais informações e aconselhamento profissional.

10

Antes da utilização

**AVISO**

Esta unidade contém componentes quentes e sob tensão elétrica.

**AVISO**

Antes de utilizar a unidade, certifique-se de que a instalação foi efetuada corretamente por um instalador.

**AVISO**

NUNCA exponha diretamente ao fluxo de ar crianças pequenas, plantas nem animais.

Este manual de operação destina-se aos sistemas com controlo padronizado que se indicam de seguida. Antes de iniciar a utilização, contacte o seu revendedor relativamente ao funcionamento que corresponde ao seu tipo de sistema e marca. Se a instalação tiver um sistema de controlo personalizado, contacte o seu revendedor para obter mais informações acerca da utilização adaptada ao seu sistema.

Modos de funcionamento:

- Aquecimento e refrigeração (ar-ar).
- Ventilação (ar-ar).

Este manual de operações oferece uma visão geral (não exaustiva) das principais funcionalidades do sistema.

Para obter mais informações sobre a interface de utilizador, consulte o manual de funcionamento da interface de utilizador instalada.

11

Funcionamento

11.1 Intervalo de operação

As condições seguintes são limites de funcionamento normalizado. Para condições diferentes, consulte o seu revendedor.

12 Poupança de energia e funcionamento otimizado

Modo	Condição	Limite de temperatura do ar, (BS/BH)	Limite de temperatura da água, (entrada/saída)	Delta T da água, ΔT
Refrigeração (°C)	Mín.	15/6 (HR%20)	5/8	3 a 10
	Máx.	33/26 (HR%58)	18/28	
Aquecimento (°C)	Mín.	15/**	35/30	5 a 20
	Máx.	27/**	90/70	

12 Poupança de energia e funcionamento otimizado

Respeite os cuidados que se seguem, para assegurar um funcionamento adequado do sistema.

- Ajuste correctamente a saída de ar e evite o fluxo de ar directo para as pessoas que se encontram na divisão.
- Ajuste adequadamente a temperatura do compartimento para obter um ambiente confortável. Evite um aquecimento ou arrefecimento excessivos.
- Evite a entrada directa da luz solar no compartimento durante o funcionamento em refrigeração, recorrendo a cortinas ou persianas.
- Assegure uma ventilação frequente. O uso prolongado requer particular atenção às questões de ventilação.
- Mantenha as portas e as janelas fechadas. Se as portas e as janelas permanecerem abertas, o ar sai do compartimento, causando uma diminuição do efeito de refrigeração ou de aquecimento.
- Tenha cuidado para NÃO refrigerar ou aquecer demasiado. Para poupar energia, mantenha a regulação da temperatura num nível moderado.
- NUNCA coloque objetos junto à entrada de ar ou à saída de ar da unidade. Se o fizer poderá provocar um efeito de aquecimento/refrigeração reduzido ou interromper o funcionamento.
- Pode dar-se condensação, se a humidade for superior a 80%, ou se o dreno ficar entupido.

AVISO


NÃO utilize o sistema para outros fins. Para evitar deterioração de qualidade, NÃO use a unidade para arrefecimento de instrumentos de precisão, produtos alimentares, plantas, animais nem obras de arte.

AVISO

NÃO utilize o sistema após aplicação de inseticidas aerotransportados na divisão. Os produtos químicos podem ficar acumulados na unidade e colocar em perigo a saúde de pessoas particularmente sensíveis a esses produtos.

13 Manutenção e assistência técnica

13.1 Precauções de segurança de manutenção

 **PERIGO: RISCO DE QUEIMADURA/ESCALDADURA**

 **PERIGO: RISCO DE ELECTROCUSSÃO**

AVISO

Mantenha o filtro de ar limpo e verifique o débito de ar periodicamente.

AVISO

- Antes de efetuar quaisquer atividades de manutenção ou reparação, desligue SEMPRE o disjuntor no painel de alimentação.
- Certifique-se de que NÃO entra em contacto com os condutores.
- NÃO lave a parte exterior da unidade. Tal pode provocar choques elétricos ou incêndios.

Para limpar o exterior da sua unidade ventilo-convectora:

- 1 Desligue a unidade ventilo-convectora.
- 2 Limpe o exterior da sua unidade ventilo-convectora com um pano suave.

AVISO

- NÃO obstrua de forma alguma a saída ou a entrada de ar da unidade.
- NÃO coloque roupa húmida ou molhada na grelha de saída de ar da unidade.
- NÃO deite líquidos para o interior da unidade.

Nunca limpe a sua unidade ventilo-convectora com:

- qualquer solvente químico agressivo,
- água com uma temperatura superior a 50°C.

Para manutenção da sua unidade ventilo-convectora, contacte o seu instalador ou empresa de assistência.

13.2 Precauções de manutenção e assistência técnica

AVISO

NUNCA tome a iniciativa de inspecionar ou proceder à manutenção da unidade. Peça a um técnico qualificado para desempenhar esta tarefa. Contudo, como utilizador final, pode limpar o filtro de ar, a grelha de aspiração, a saída de ar e os painéis exteriores.

AVISO

Quando um fusível derrete, NUNCA o troque por um de outra amperagem, nem improvise com fios. A utilização de um arame ou de um fio de cobre pode provocar uma avaria na unidade ou um incêndio.

AVISO

Após um longo período de utilização, verifique o estado da base da unidade e respetivos apoios. Caso estejam danificados, a unidade pode tombar, podendo ferir alguém.

AVISO

NÃO limpe o painel do controlo remoto com benzina, diluente, panos de limpeza embebidos em químicos, etc. O painel pode ficar descolorado e com aspeto desagradável. Se ficar muito sujo, embeba um pano em água com detergente neutro, mas torça-o bem antes de limpar o painel. Depois, seque-o com outro pano.

AVISO

Antes de aceder a dispositivos terminais, certifique-se de que desliga toda a alimentação elétrica.



AVISO

Durante a limpeza do permutador de calor, certifique-se de que retira a caixa de distribuição, o motor da ventoinha, a bomba de drenagem e o interruptor de flutuação. A água e os detergentes podem deteriorar o isolamento dos componentes electrónicos, originando o respectivo desgaste.



AVISO

Tenha cuidado com as escadas quando trabalhar em locais altos.

13.3 Limpeza do filtro de ar, da grelha de aspiração, da saída de ar e dos painéis exteriores



AVISO

Desligue a unidade antes de limpar o filtro de ar, a grelha de aspiração, a saída de ar e os painéis exteriores.



AVISO

- NÃO esfregue com força ao lavar a aleta com água.
Consequência possível: O vedante da superfície sai.

Limpe com um pano macio. Caso seja difícil remover as manchas, use água ou um detergente neutro.

13.3.1 Limpeza do filtro de ar

Quando limpar o filtro de ar:

- Regra geral: Limpar a cada 6 meses. Se o ar da divisão estiver extremamente contaminado, aumente a frequência da limpeza.
- Se for impossível limpar a sujidade, troque o filtro de ar (= equipamento opcional).

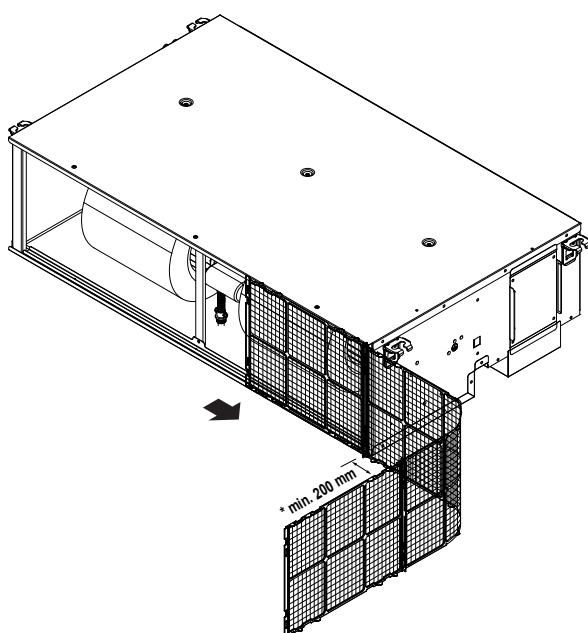
Como limpar o filtro de ar:



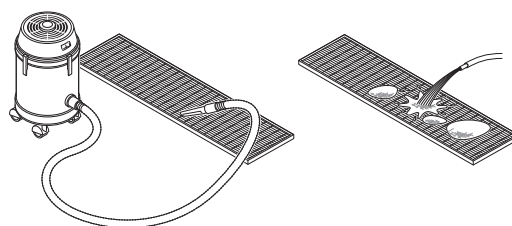
AVISO

NÃO utilize água a uma temperatura de 50°C ou superior.
Consequência possível: Descoloração e deformação.

- Desligue a fonte de alimentação. O filtro de ar pode ser instalado do lado direito e do lado esquerdo. Retire o filtro fazendo-o deslizar conforme indicado abaixo.



- Limpe o filtro de ar. Utilize um aspirador ou lave com água. Se o filtro de ar estiver muito sujo, utilize uma escova suave e um detergente neutro.



- Seque o filtro de ar à sombra.
- Volte a colocar o filtro de ar e feche a grelha de aspiração.

13.4 Manutenção após um longo período sem funcionar

Por exemplo, no início de estação.

- Inspeccione e desobstrua as entradas e saídas de ar das unidades interiores e de exterior.
- Limpe os filtros de ar e as caixas das unidades interiores (consulte "13.3.1 Limpeza do filtro de ar" [p. 159] e Limpeza da saída de ar e dos painéis exteriores).

13.5 Manutenção antes de um longo período sem funcionar

Por exemplo, no final de estação.

- Deixe as unidades interiores a trabalhar durante meio dia, apenas com a ventoinha a funcionar, para lhes secar o interior. Consulte Operação automática, de refrigeração, aquecimento e ventilação para mais informações acerca do funcionamento apenas com a ventoinha.
- Desligue a alimentação eléctrica. O visor da interface do utilizador apaga-se.
- Limpe os filtros de ar e as caixas das unidades interiores (consulte "13.3.1 Limpeza do filtro de ar" [p. 159] e Limpeza da saída de ar e dos painéis exteriores).

13.6 Garantia e assistência pós-venda

13.6.1 Recomendações de manutenção e inspeção

O pó acumula-se na unidade ao longo dos anos de utilização e afeta-lhe o desempenho em certa medida. Desmontar e limpar uma unidade requer conhecimentos técnicos, pelo que se recomenda o estabelecimento de um contrato de manutenção e inspeção, para além das atividades regulares de manutenção, com vista a assegurar a melhor assistência possível às unidades. A rede de revendedores da Daikin dispõe de um stock permanente de componentes essenciais, para possibilitar o bom funcionamento da sua unidade durante o máximo de tempo possível. Consulte o seu revendedor, para mais informações.

Ao solicitar uma intervenção ao seu revendedor, indique sempre:

- O nome completo do modelo da unidade.
- O número de série (indicado no painel de especificações da unidade).
- A data de instalação.
- Os sintomas ou a avaria, bem como pormenores sobre a deficiência.

14 Resolução de problemas



AVISO

NÃO modifique, desmonte, retire nem volte a instalar a unidade, nem lhe efetue reparações por iniciativa própria: desmontagem ou instalação incorretas podem causar choques elétricos ou um incêndio. Contacte o seu revendedor.

13.6.2 Ciclos encurtados de manutenção e substituições

O encurtamento dos ciclos de manutenção e de substituições deve ser ponderado nas seguintes situações:

Utilização da unidade em locais com as seguintes características:

- Flutuações invulgares de calor e de humidade.
- Grandes flutuações na rede eléctrica (tensão, frequência, distorção harmónica, etc.) - a unidade não pode ser utilizada, se as flutuações energéticas excederem a gama admissível de funcionamento.
- Pancadas e vibrações frequentes.
- Ar com elevada concentração de pó, sal, gases nocivos ou vapores de óleo (por exemplo, ácido sulfuroso ou sulfureto de hidrogénio).
- Arranques e paragens frequentes da máquina, ou períodos de funcionamento longos (locais com ar condicionado 24 horas por dia).

Ciclo recomendado de substituição de peças de desgaste

Componente	Ciclo de inspecção	Ciclo de manutenção (substituições e/ou reparações)
Filtro de ar	1 anos	5 anos
Filtro de alta eficiência		1 anos
Fusível		10 anos
Componentes de contenção de pressão		Caso os problemas persistam, contacte o seu revendedor.



INFORMAÇÕES

Os danos devidos à desmontagem ou à limpeza dos componentes internos das unidades, por intervenção exterior à rede de revendedores autorizados, poderão não estar abrangidos pela garantia.

14 Resolução de problemas

Se ocorrer um dos seguintes problemas, tome as medidas infra indicadas e contacte o nosso representante.

O sistema DEVE ser reparado por um técnico qualificado.

Avaria	Medida
Se um dispositivo de segurança, como um fusível, um disjuntor ou um diferencial, disparar frequentemente, ou se o interruptor de ligar e desligar não funcionar adequadamente.	Desligue o interruptor principal da fonte de alimentação.
Caso haja uma fuga de água da unidade.	interrompa o funcionamento.
O interruptor de ligar e desligar não funciona bem.	Desligue a alimentação eléctrica.

Se, à exceção dos casos anteriores, o sistema NÃO funcionar corretamente e nenhuma das avarias acima mencionadas for evidente, procure estudar o sistema de acordo com os procedimentos a seguir indicados.

Avaria	Medida
Se o sistema não funcionar de todo.	<ul style="list-style-type: none">• Verifique se não há uma falha de corrente. Espere até que a corrente seja restabelecida.• Verifique se algum fusível se queimou ou se disparou um disjuntor. Substitua o fusível ou ligue de novo o disjuntor, se for o caso.
O sistema funciona, mas a refrigeração ou o aquecimento são insuficientes.	<ul style="list-style-type: none">• Verifique se a entrada ou a saída de ar das unidades interiores e de exterior não estão obstruídas. Retire quaisquer obstáculos e certifique-se de que o ar flui livremente.• Verifique se o filtro de ar está obstruído (consulte "13.3.1 Limpeza do filtro de ar" [p. 159]).• Verifique a regulação de temperatura.• Verifique a regulação da velocidade da ventoinha, na interface do utilizador.• Verifique se existem portas ou janelas abertas. Feche as portas ou as janelas, para evitar correntes de ar.• Verifique se há demasiadas pessoas no compartimento durante o funcionamento em refrigeração. Verifique se as fontes de calor no compartimento são excessivas.• Verifique se o compartimento está exposto diretamente à luz solar. Utilize cortinas ou persianas.• Verifique se o ângulo de saída do ar é o mais apropriado.

Se, depois de verificar todos os pontos anteriores, não conseguir resolver o problema, contacte o seu instalador e comunique-lhe os sintomas, o nome completo do modelo da unidade (se possível, com o número de série) e a data em que foi efetuada a instalação.

14.1 Para resolver os problemas com o seu ventilador-convetor

A sua unidade ventilador-convetora não funciona

Se a sua unidade ventilador-convetora não funciona:

Verifique:	Se sim,
A unidade ventilador-convetora foi Desligada ?	Ligue a unidade ventilador-convetora.
Há uma falha de energia?	Restaure a alimentação eléctrica.
O disjuntor (fusível) foi disparado?	Contacte o seu instalador ou empresa de assistência.

A sua unidade ventilador-convetora não arrefece ou não aquece bem

Se a sua unidade ventilador-convetora não arrefece ou não aquece bem:

Verifique:	Se sim,
Há algum obstáculo junto à entrada ou saída do ar?	Retire o obstáculo.
Há alguma janela ou porta aberta?	Feche as portas ou janelas.
A unidade ventilador-convetora está a funcionar a uma velocidade baixa ?	Selecione velocidade média ou alta velocidade .
Os filtros de ar estão sujos?	Contacte o seu instalador ou empresa de assistência.

A sua unidade ventilo-convectiva pinga água

Desligue a unidade e contacte o seu instalador ou empresa de assistência.

Se a sua unidade ventilo-convectiva não funcionar correctamente, pode tentar resolver qualquer problema com as acções correctivas presentes neste capítulo.

Se o problema persistir ou não for tratado neste capítulo, contacte o seu instalador ou empresa de assistência.

14.2 Mudança de local de instalação

Contacte o seu revendedor para remover ou instalar novamente toda a unidade. A mudança de local das unidades requer conhecimentos técnicos.

15 Eliminação

- As unidades estão marcadas com o símbolo seguinte:



Isto significa que os produtos eléctricos e electrónicos NÃO podem ser misturados com o lixo doméstico indiferenciado. NÃO tente desmontar pessoalmente o sistema: a desmontagem do sistema e o tratamento do refrigerante, do óleo e de outros componentes TÊM de ser efetuados por um instalador autorizado e cumprir com a legislação aplicável.

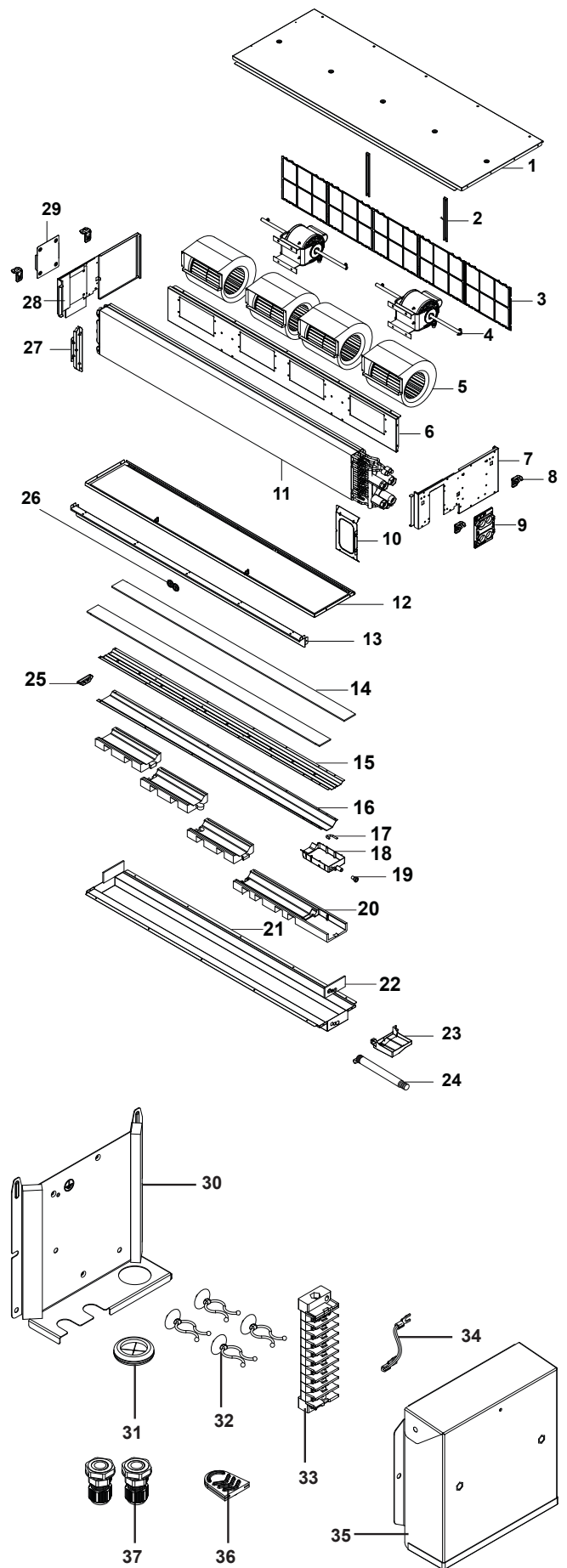
As unidades DEVEM ser processadas numa estação de tratamento especializada, para reutilização, reciclagem e/ou recuperação. Ao certificar-se de que este produto é eliminado corretamente, está a contribuir para evitar potenciais consequências negativas para o ambiente e para a saúde humana. Para mais informações, contacte o seu instalador ou autoridade local.

AVISO

NÃO tente desmontar pessoalmente o sistema: a desmontagem do sistema e o tratamento do refrigerante, do óleo e de outros componentes DEVEM ser efetuados de acordo com a legislação aplicável. As unidades DEVEM ser processadas numa estação de tratamento especializada, para reutilização, reciclagem e/ou recuperação.

Após a instalação, o instalador é obrigado a verificar o funcionamento correto. Caso haja algum problema com a unidade e esta não funcionar, contacte o seu revendedor local.

Utilize a ferramenta adequada para retirar os parafusos. O produto pode ser desmontado conforme mostrado abaixo.



16 Dados técnicos

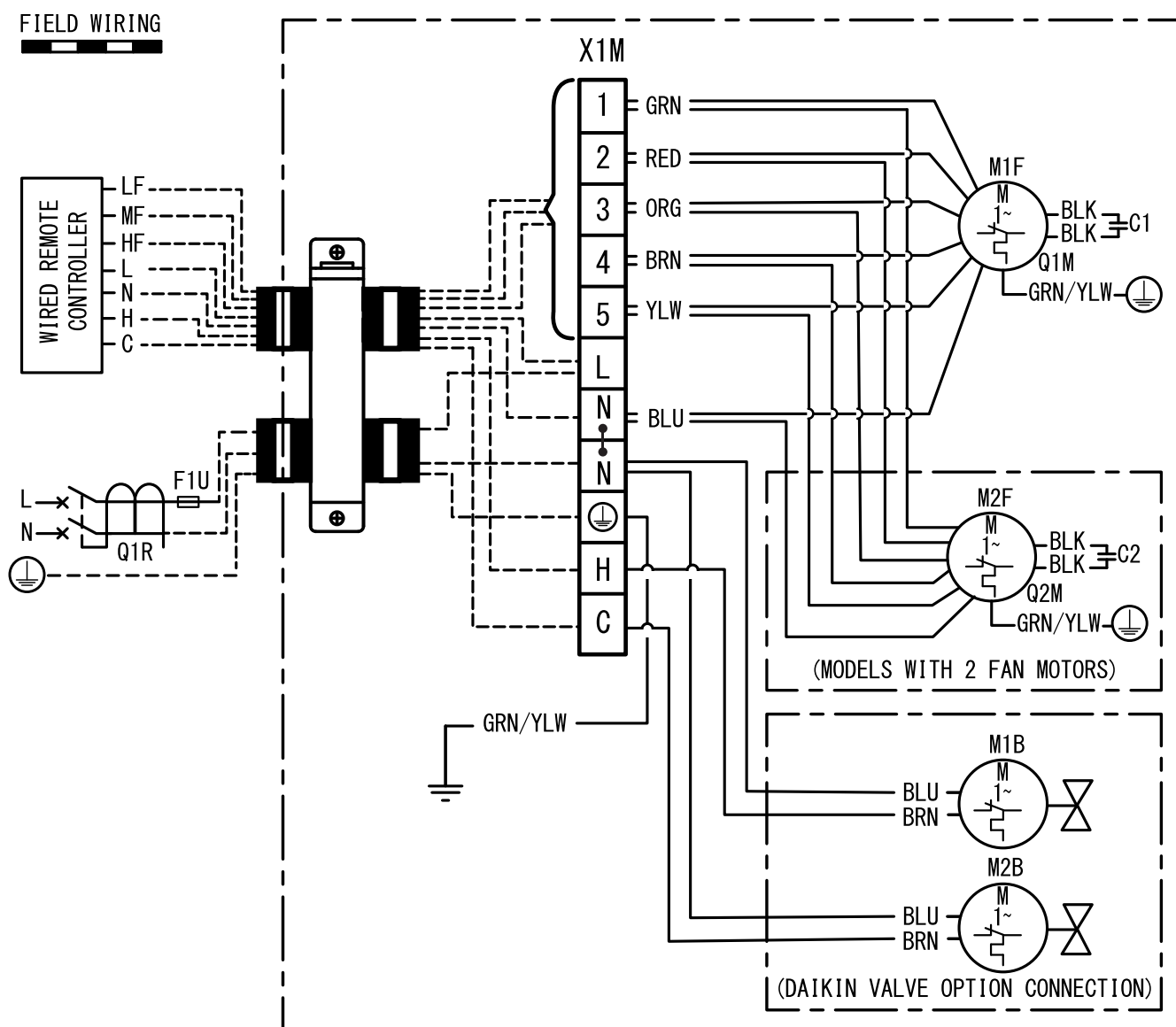
Materiais	Item
Parte eléctrica (motor da ventoinha + condensador)	4
Alumínio (aleta) + cobre (tubo) + aço galvanizado (placa) + latão + espuma de plástico	11
Plástico	9, 18, 23, 24, 32, 37
Espuma de plástico	14, 22
Plástico + metal	33, 34

Materiais	Item
Plástico (estrutura) + plástico (rede)	3
Aço galvanizado	2, 5, 6, 8, 13, 15, 16, 21, 27
Aço galvanizado + espuma de plástico	1, 7, 10, 12, 28, 29, 30, 35
Borracha	19, 25, 26, 31, 36
EPP	20
Cobre	17

16 Dados técnicos

Um **subconjunto** dos mais recentes dados técnicos está disponível no website regional Daikin (de acesso público). O **conjunto completo** dos dados técnicos mais recentes está disponível no Daikin Business Portal (autenticação necessária).


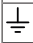
16.1 Esquema eléctrico



Legenda para os esquemas eléctricos:

C1, C2	Condensador
F1U	Fusível local
M1F, M2F	Motor do ventilador
M1B	Atuador de aquecimento



M2B	Atuador de refrigeração
Q1M, Q2M	Protetor térmico
Q1R	Disjuntor de fugas para a terra
X1M	Placa de terminal
L	Energizado

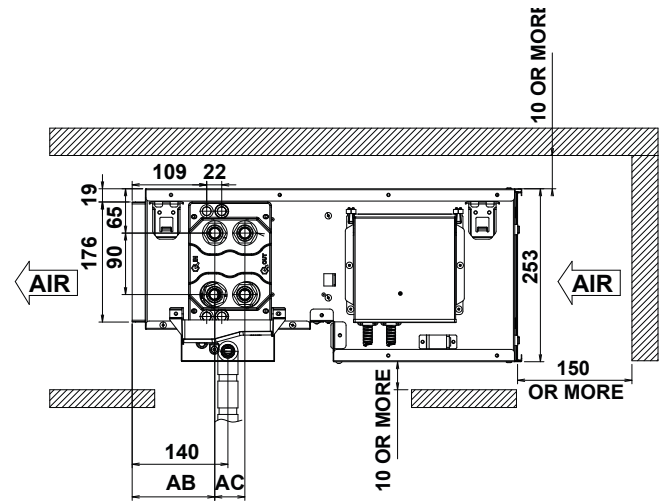
N	Neutro
1	Velocidade mais baixa
5	Velocidade mais alta
H	Válvula de aquecimento
C	Válvula de refrigeração
LF	Velocidade da ventoinha baixa
MF	Velocidade do ventilador média
HF	Velocidade da ventoinha elevada
	Ligação à terra de proteção
	Ligação à terra

Cores:

BLK	Preto
BLU	Azul
BRN	Castanho
GRN	Verde
ORG	Cor de laranja
RED	Vermelho
YLW	Amarelo

Notas:

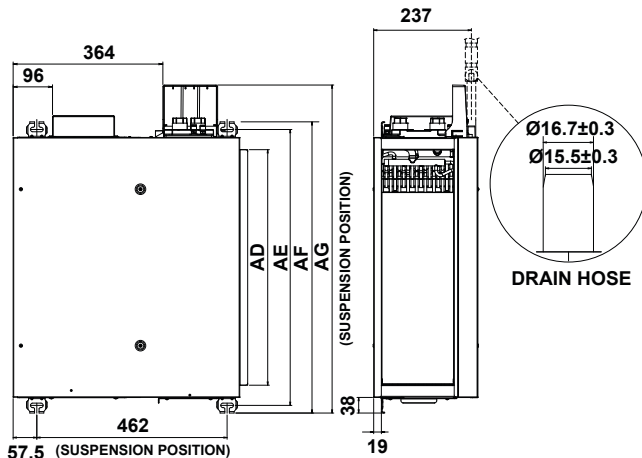
- : Bloco de terminais :: : Cablagem local.
- Consulte o manual de instalação para requisitos de alimentação



MODELO	AB	AC
FWE04&05&06&08&10&12F	118	50
FWE14&16&20&24F	121	44

16.2 Dimensões

Descrição geral



MODELO	AD	AE	AF	AG
FWE04&05 &06F	572	670	707	797
FWE08&10 &12F	877	975	1012	1102
FWE14&16 F	1187	1285	1322	1412
FWE20&24 F	1487	1585	1622	1712

Содержание

1	Информация о документации	165
1.1	Информация о настоящем документе	165
1.2	Значение предупреждений и символов	166
1.3	Общие сведения	166
2	Меры предосторожности при монтаже	167
Для монтажника		167
3	Информация об упаковке	167
3.1	Распаковка и обращение с фанкойлом	167
3.2	Снятие аксессуаров с фанкойла	168
4	Информация о блоках и дополнительном оборудовании	168
4.1	Идентификация	168
4.1.1	Опознавательная табличка: Фанкойл	168
5	Установка блока	168
5.1	Как подготовить место установки	168
5.2	Взаимозаменяемость	169
5.3	Монтаж блока	170
5.3.1	Монтаж подвесных болтов	170
5.3.2	Порядок монтажа блока	170
5.4	Монтаж водяного трубопровода	171
5.4.1	Подготовка трубопроводов воды	171
5.4.2	Присоединение трубопроводов воды	171
5.5	Монтаж сливного трубопровода	173
5.5.1	Указания по прокладке сливного трубопровода	173
5.5.2	Подсоединение сливного трубопровода	173
5.6	Монтаж дополнительного оборудования	174
5.6.1	Подготовка дополнительного оборудования	174
5.6.2	Подключение дополнительного оборудования	175
6	Подключение электрооборудования	175
6.1	Подготовка электрической проводки	175
6.2	Подключение электропроводки	176
7	Пусконаладочные работы	177
7.1	Предпусковые проверочные операции	177
Для пользователя		177
8	Меры предосторожности при эксплуатации	177
8.1	Техника безопасности при эксплуатации	177
9	О системе	178
10	Приступая к эксплуатации...	179
11	Эксплуатация	179
11.1	Рабочий диапазон	179
12	Экономия электроэнергии и оптимальные условия работы	179
13	Техническое и иное обслуживание	179
13.1	Техника безопасности при техобслуживании	179
13.2	Меры предосторожности при техническом и сервисном обслуживании	180
13.3	Чистка воздушного фильтра, воздухозаборной решетки, выпускных отверстий и наружных панелей	180
13.3.1	Правила чистки воздушного фильтра	180
13.4	Техническое обслуживание после длительного простоя	181
13.5	Техническое обслуживание перед длительным простоем	181
13.6	Послепродажное обслуживание и гарантия	181
13.6.1	Рекомендации по техническому обслуживанию и осмотру	181
13.6.2	Сокращенная периодичность технического обслуживания и осмотра	181
14	Поиск и устранение неполадок	181
14.1	Устранение сбоев в работе фанкойла	182
14.2	Переезд	182
15	Утилизация	182
16	Технические данные	183
16.1	Электрическая схема	184
16.2	Габариты	185
17	Информация о требованиях экологического проектирования	186
1	Информация о документации	
1.1	Информация о настоящем документе	

**ВНИМАНИЕ!**

Данным устройством могут пользоваться дети старше 8 лет, а также лица с ограниченными физическими, сенсорными или умственными возможностями, а равно и те, у кого нет соответствующего опыта и знаний, однако все они допускаются к эксплуатации устройства только под наблюдением или руководством лица, несущего ответственность за их безопасность и полностью осознающего вытекающие отсюда риски.

Игры детей с устройством категорически НЕ допускаются.

К чистке и повседневному обслуживанию устройства дети допускаются ТОЛЬКО под квалифицированным руководством.

Целевая аудитория

Уполномоченные монтажники + конечные пользователи

**ИНФОРМАЦИЯ**

Данный аппарат предназначен для эксплуатации в помещениях коммерческого, промышленного или делового назначения.

Комплект документации

Настоящий документ является частью комплекта документации. В полный комплект входит следующее:

- **Общие правила техники безопасности:**
 - Меры предосторожности, с которыми необходимо ознакомиться, прежде чем приступать к монтажу
 - Формат: документ (в ящике с внутренним блоком)
- **Руководство по монтажу и эксплуатации внутреннего блока:**
 - Инструкции по монтажу и эксплуатации
 - Формат: документ (в ящике с внутренним блоком)
 - Вид: файлы на веб-странице <https://www.daikin.eu>. Для поиска нужной модели используйте функцию поиска Q.

Прилагаемая документация в самой свежей редакции публикуется на региональном веб-сайте Daikin и предоставляется продавцом оборудования.

1 Информация о документации

Оригинал руководства составлен на английском языке. Текст на остальных языках является переводом с оригинала.

Технические данные

- **Подборка** самых свежих технических данных размещена на региональном веб-сайте Daikin (в открытом доступе).
- **Полные** технические данные в самой свежей редакции размещаются на интернет-портале Daikin Business Portal (требуется авторизация).

1.2 Значение предупреждений и символов



ОПАСНО!

Обозначает ситуацию, которая приведет к гибели или серьезной травме.



ОПАСНО! ОПАСНОСТЬ ПОРАЖЕНИЯ ЭЛЕКТРИЧЕСКИМ ТОКОМ

Обозначает ситуацию, которая может привести к поражению электрическим током.



ОПАСНО! ОПАСНОСТЬ ВОЗГОРАНИЯ ИЛИ ОЖОГА

Обозначает ситуацию, которая может привести к возгоранию или ожогу из-за крайне высоких или низких температур.



ВНИМАНИЕ!

Обозначает ситуацию, которая может привести к гибели или серьезной травме.



ОСТОРОЖНО!

Обозначает ситуацию, которая может привести к травме малой или средней тяжести.



ОБРАТИТЕ ВНИМАНИЕ

Обозначает ситуацию, которая может привести к повреждению оборудования или имущества.



ИНФОРМАЦИЯ

Обозначает полезные советы или дополнительную информацию.

Маркировка блока:

Значок	Пояснения
	Прежде чем приступать к установке оборудования, ознакомьтесь с содержанием руководства по монтажу и эксплуатации, а также с инструкциями по прокладке электропроводки.

1.3 Общие сведения

В СЛУЧАЕ СОМНЕНИЙ по поводу установки или эксплуатации агрегата обращайтесь к своему дилеру.



ВНИМАНИЕ!

Неправильный монтаж или неправильное подключение оборудования или принадлежностей могут привести к поражению электротоком, короткому замыканию, протечкам, возгоранию или повреждению оборудования. Если не указано иное, пользуйтесь ТОЛЬКО теми принадлежностями, дополнительным оборудованием и запасными частями, которые изготовлены или одобрены компанией Daikin.



ВНИМАНИЕ!

Убедитесь, что установка, пробный запуск и используемые материалы соответствуют действующему законодательству (в верхней части инструкций, приведенных в документации Daikin).



ОСТОРОЖНО!

При установке, техническом и ином обслуживании системы надевайте средства индивидуальной защиты (перчатки, очки,...).



ВНИМАНИЕ!

Полиэтиленовые упаковочные мешки необходимо разрывать и выбрасывать, чтобы дети не могли ими играть. **Возможное следствие:** удушение.



ВНИМАНИЕ!

Примите надлежащие меры к предотвращению использования блока насекомыми в качестве пристанища. Соприкосновение насекомых с электрическими деталями может привести к сбоям в работе блока, задымлению или возгоранию.



ОСТОРОЖНО!

НЕ прикасайтесь к воздухозаборнику или к алюминиевым пластинам блока.



ОСТОРОЖНО!

- ЗАПРЕЩАЕТСЯ размещать любые предметы и оборудование на блоке.
- ЗАПРЕЩАЕТСЯ залезать на блок, сидеть и стоять на нем.



ОПАСНО! ОПАСНОСТЬ ПОРАЖЕНИЯ ЭЛЕКТРИЧЕСКИМ ТОКОМ

- Проследите за тем, чтобы система была правильно заземлена.
- Перед проведением обслуживания ВЫКЛЮЧАЙТЕ электропитание.
- Установите распределительную коробку перед включением электропитания.



ОСТОРОЖНО!

- Проверьте, выдерживает ли место установки вес блока. Неверно выполненный монтаж чреват опасностью. По той же причине может возникать вибрация или посторонний шум.
- Обеспечьте наличие свободного пространства для обслуживания.
- Во избежание вибрации НЕЛЬЗЯ устанавливать блок так, чтобы он соприкасался с потолком или стенами.



ОПАСНО! ОПАСНОСТЬ ПОРАЖЕНИЯ ЭЛЕКТРИЧЕСКИМ ТОКОМ

НЕ прикасайтесь к фанкойлам влажными руками. Это чревато поражением электрическим током.



ВНИМАНИЕ!

В блоке имеются компоненты, находящиеся под напряжением, а также компоненты, нагревающиеся до высокой температуры.

! ВНИМАНИЕ!

Во избежание опасности замена поврежденного кабеля электропитания производится ТОЛЬКО изготовителем, сотрудником сервисной службы или иным квалифицированным специалистом.

2 Меры предосторожности при монтаже

Изложенные далее указания и меры предосторожности обязательны к соблюдению.

! ВНИМАНИЕ!

При выполнении монтажа, сервисного и технического обслуживания, а также ремонтных работ, необходимо проследить за соблюдением инструкций Daikin и требований действующего законодательства (напр., общегосударственных правил эксплуатации газового оборудования). К указанным видам работ допускаются ТОЛЬКО уполномоченный персонал.

! ВНИМАНИЕ!

Монтаж должен производиться монтажником; материалы и способы монтажа должны соответствовать требованиям действующего законодательства. В странах Европы применяется стандарт EN378.

! ВНИМАНИЕ!

Держите соединительную проводку на расстоянии от медных трубок без термоизоляции, которые подвержены сильному нагреву.

! ОСТОРОЖНО!

Если стена имеет металлическую раму или пластину, используйте в сквозном отверстии заделываемую в стену трубу и настенную крышку во избежание перегрева, поражения электрическим током или возгорания.

! ОБРАТИТЕ ВНИМАНИЕ

- Необходимо обеспечить прочное крепление и защиту трубопроводов от физического повреждения.
- Прокладывайте трубопроводы по минимуму.

! ВНИМАНИЕ!

- НЕ используйте приобретаемые на месте электрические детали внутри изделия.
- ЗАПРЕЩАЕТСЯ разветвление электропроводки клапанов и т. п. от клеммной колодки. Это может привести к поражению электрическим током или возгоранию.

Для монтажника

3 Информация об упаковке

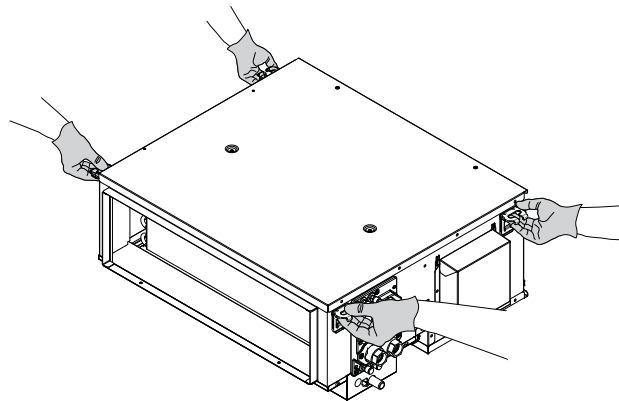
Соблюдайте следующие рекомендации:

- Непосредственно после доставки блок ОБЯЗАТЕЛЬНО нужно проверить на предмет повреждений и на укомплектованность. Обо всех повреждениях и о нехватке тех или иных деталей НЕОБХОДИМО сразу же поставить в известность представителя компании-перевозчика.
- Старайтесь доставить агрегат как можно ближе к месту монтажа, не извлекая его из упаковки — это сведет к минимуму вероятность механических повреждений при транспортировке.
- Заранее наметьте путь транспортировки блока в месту окончательной установки.

3.1 Распаковка и обращение с фанкойлом

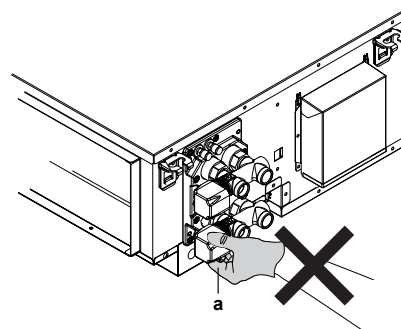
При подъеме блока пользуйтесь стропой из мягкого материала или предохранительными пластинами, закрепленными на тросе, во избежание появления на блоке царапин.

- 1 Поднимайте блок за подвесные скобы, следя за тем, чтобы не было давления на другие его части, особенно на сливную трубу и термоизоляцию.



! ОБРАТИТЕ ВНИМАНИЕ

НЕЛЬЗЯ поднимать блок за приводные механизмы клапанов (а).

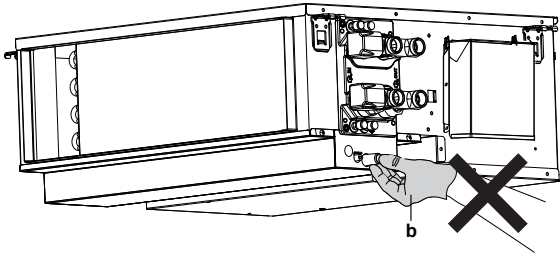


4 Информация о блоках и дополнительном оборудовании



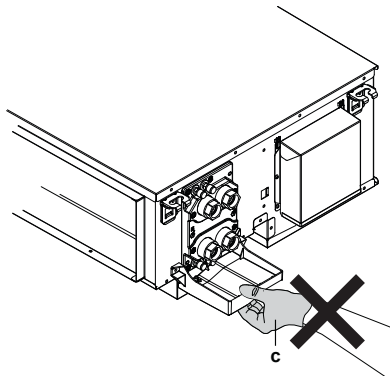
ОБРАТИТЕ ВНИМАНИЕ

НЕЛЬЗЯ поднимать блок за горловину сливного поддона (b).

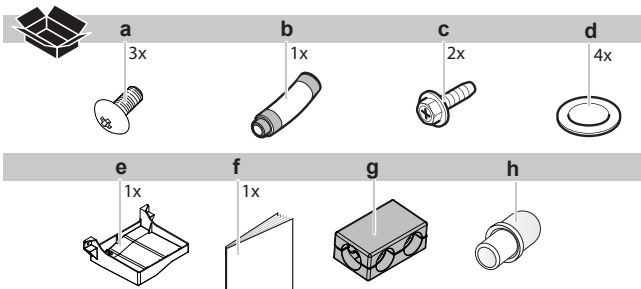


ОБРАТИТЕ ВНИМАНИЕ

НЕЛЬЗЯ поднимать блок за сливной поддон (c).



3.2 Снятие аксессуаров с фанкойла



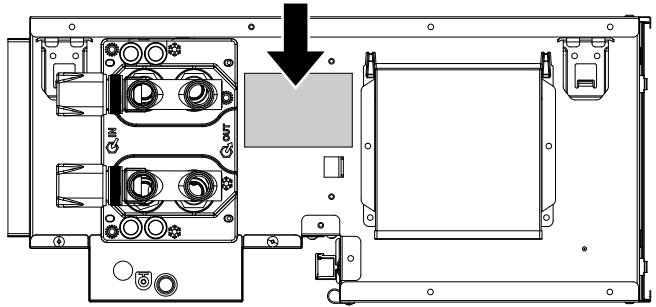
- a Винты M4 для сливного поддона (2 шт.) и сливного шланга (1 шт.)
 - b Сливной шланг
 - c Винты M5 для FWESAP (2 шт.)
 - d Прокладка
 - e Сливной поддон
 - f Руководство по монтажу и эксплуатации
 - g Термоизоляция клапанов (патрубок 2: 1 шт. и патрубок 4: 2 шт.) (*)
 - h Конусообразная заглушка
- * Только модели с клапанами заводской установки

4 Информация о блоках и дополнительном оборудовании

4.1 Идентификация

4.1.1 Опознавательная табличка: Фанкойл

Местонахождение



Идентификация модели

Пример: FW E 04 F A T N 5 V3 --

Код	Описание
FW	Водяной фанкойл
E	Воздуховод низкого внешнего статического давления
F	Основные модельные ряды
A	Модели с незначительными модификациями
T	2 трубопровода
F	4 трубопровода
N	Без клапана
V	3-ходовой клапан (ON/OFF - 230 V)
T	2-ходовой клапан (ON/OFF - 230 V)
5	Завод HendeK
V1	1 фаза / 50 Гц / 220-240 В
-	Без опций
-	Подвод воды и электрические соединения слева
R	Подвод воды и электрические соединения справа

5 Установка блока

5.1 Как подготовить место установки



ВНИМАНИЕ!

Во избежание возгорания применяйте воздуховоды, термоизоляцию и соединения ТОЛЬКО из негорючих материалов.



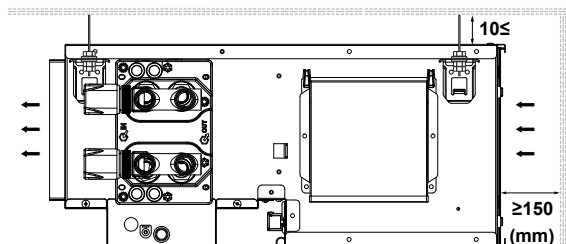
ОБРАТИТЕ ВНИМАНИЕ

Блок устанавливается на высоте $\geq 2,5$ м от пола.



ОБРАТИТЕ ВНИМАНИЕ

Расстояние от потолка до блока должно составлять не менее 10 мм, а зона всасывания не должна быть менее 150 мм.



ИНФОРМАЦИЯ

Уровень звукового давления не должен достигать 70 дБА.



ОСТОРОЖНО!

Свободный доступ к аппарату ДОЛЖЕН быть закрыт. Монтаж выполняется в защищенном месте, исключающем легкий доступ.

Данный блок подходит для установки в коммерческих и промышленных зданиях.



ОБРАТИТЕ ВНИМАНИЕ

Если монтаж снизу НЕВОЗМОЖЕН (напр., при очень высоких потолках), необходимо предусмотреть доступ к блоку для монтажа и обслуживания сверху, то есть от потолка.

Подбирая место установки, соблюдайте перечисленные ниже условия и согласуйте это место с заказчиком.

- Вокруг блока должно быть достаточно свободного места для проведения технического обслуживания. Вокруг блока должно быть достаточно свободного места для воздухотока и свободной циркуляции воздуха. См. размеры свободного места для установки блока.
- Убедитесь, что пространство хорошо проветривается. НЕ ПЕРЕКРЫВАЙТЕ вентиляционные отверстия.
- Убедитесь, что место установки выдерживает вес и вибрацию агрегата.
- Позаботьтесь о том, чтобы в случае утечки вода не причинила вреда месту установки и прилегающей к нему зоне.
- Выберите такое место, где шум работающего оборудования, а также выбросы горячего/холодного воздуха не будут оказывать вредного воздействия и нарушать требования действующего законодательства.
- **Слив.** Проследите за свободным отводом водяного конденсата.
- В местах слабого приема во избежание электромагнитных помех другому оборудованию необходимо соблюдать дистанцию не менее 3 м, а также использовать экранированные кабели для электропроводки линий питания и управления.
- **Люминесцентное освещение.** При установке беспроводного ПДУ (пользовательского интерфейса) в помещении с люминесцентным освещением учитывайте перечисленные ниже факторы во избежание помех:
 - Беспроводной ПДУ (пользовательский интерфейс) устанавливается как можно ближе к внутреннему блоку.
 - Внутренние блоки устанавливаются как можно дальше от люминесцентных ламп.

Блок НЕЛЬЗЯ устанавливать в местах, часто используемых в качестве рабочих. При проведении строительных работ (например, шлифовки), когда образуется большое количество пыли, блок НЕОБХОДИМО накрывать.

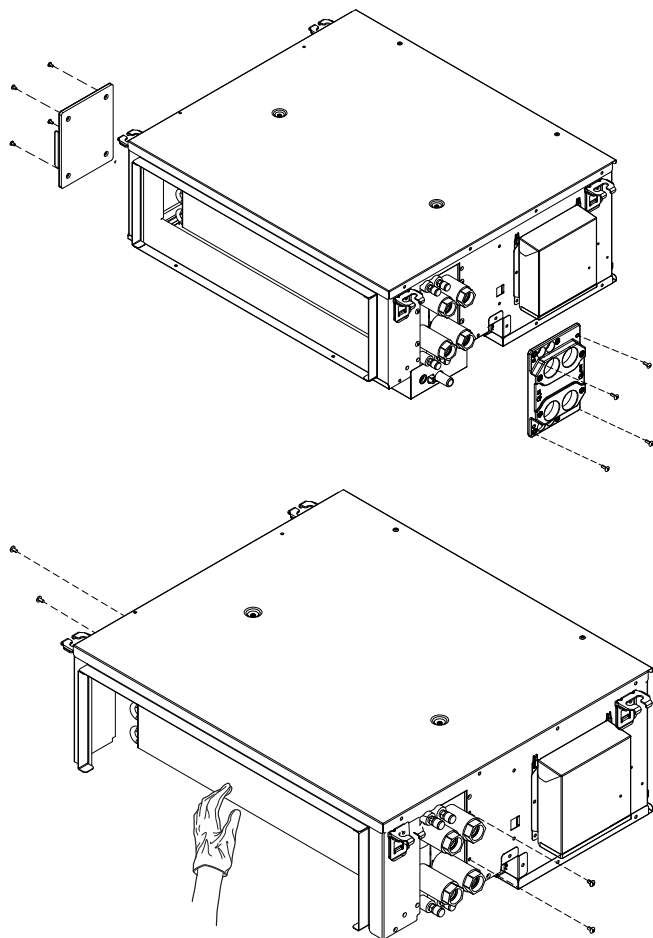
Не устанавливайте и не эксплуатируйте блок в помещениях, указанных ниже.

- Там, где присутствуют минеральные масла, масляные пары или взвеси (например, в кухонных помещениях) во избежание порчи пластмассовых деталей.
- В местах с повышенным содержанием газов, вызывающих коррозию, например паров сернистых соединений. Это может привести к коррозии медных трубок и мест их пайки.
- В местах с повышенным содержанием солей в атмосфере (например, на побережье) и там, где возможны значительные колебания напряжения в сети питания (например, вблизи заводов и фабрик). На борту транспортных средств и судов.
- Где установлено оборудование, излучающее электромагнитные волны. Электромагнитные волны могут мешать работе системы управления, а также могут стать причиной неисправности оборудования.
- Где существует риск возгорания вследствие утечки горючих газов (например, разбавитель для краски или бензин), суспензии углеродного волокна или воспламеняемой пыли.
- Устанавливать блок в ванной ЗАПРЕЩАЕТСЯ.

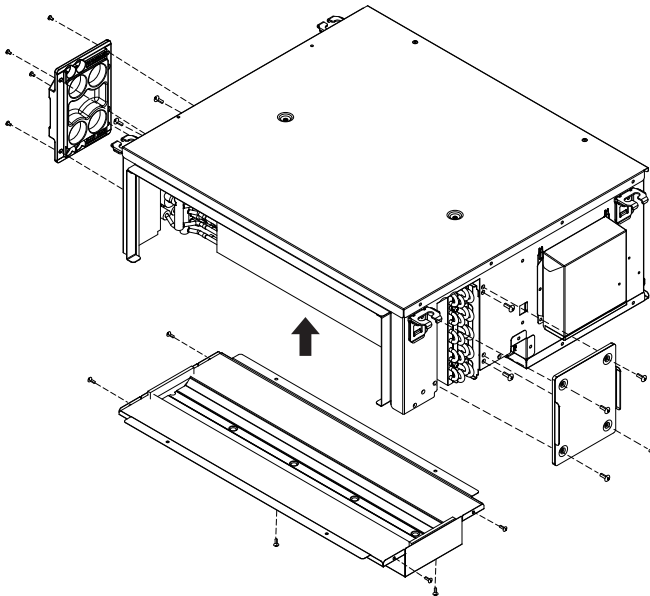
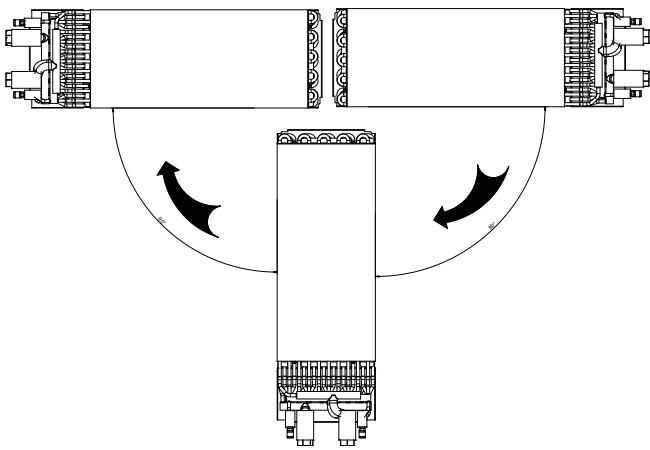
5.2 Взаимозаменяемость

Менять направление установки следует, спустив агрегат на пол.

Снимите металлическую пластину, прикрывающую боковую панель блока.

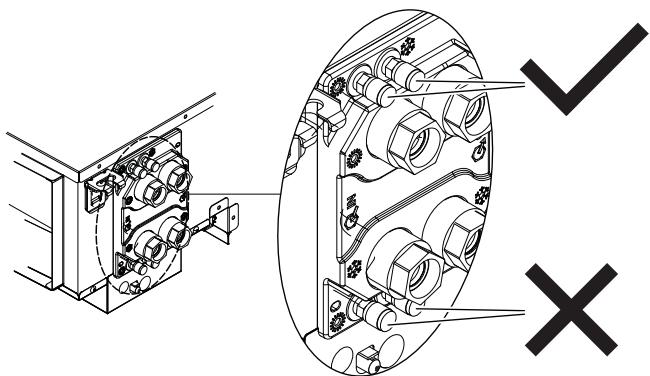


5 Установка блока



ОБРАТИТЕ ВНИМАНИЕ

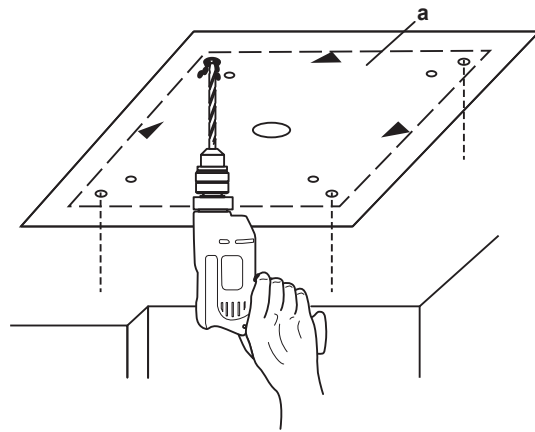
Пользуйтесь только верхними продувками.



5.3 Монтаж блока

5.3.1 Монтаж подвесных болтов

Для определения расположения подвесных болтов воспользуйтесь шаблоном (наверху упаковки). Расположение подвесных болтов указано на бумажном шаблоне. Сверлить отверстия можно, приложив бумажный шаблон к потолку.

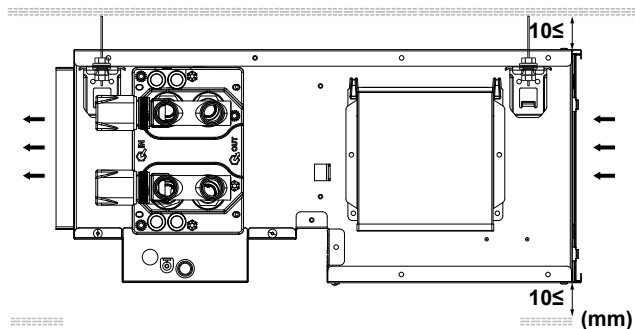


a Бумажный шаблон для монтажа. (наверху упаковки)

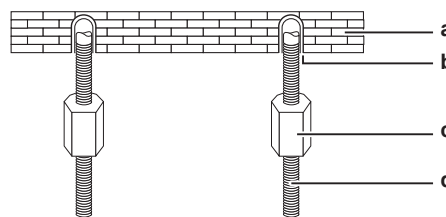
5.3.2 Порядок монтажа блока

Проделайте нишу в потолке по месту монтажа. Потолочные балки, возможно, придется укрепить во избежание прогиба и вибрации потолка.

Проконсультируйтесь по этому поводу со строителями.

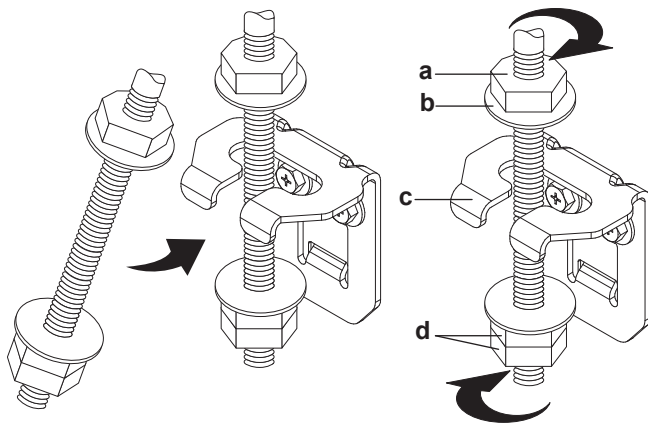


- **Прочность потолка.** Убедитесь в том, что потолок достаточно прочный и выдерживает вес блока. Если потолок недостаточно прочен, укрепите его перед монтажом блока.
 - С уже имеющимися потолками пользуйтесь анкерами.
 - С новыми потолками применяются утепленные вставки или анкера и иные крепежные элементы, которые приобретаются по месту установки.



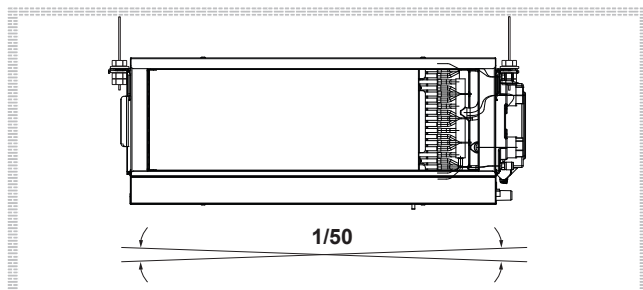
- a Потолочная плита
- b Анкер
- c Длинная муфта или винтовая стяжка
- d Подвесной болт

- **Подвесные болты.** Для монтажа используйте подвесные болты M8-M10. Прикрепите подвесную скобу к подвесному болту. Прочно закрепите подвесной кронштейн сверху и снизу с помощью гаек с шайбами.

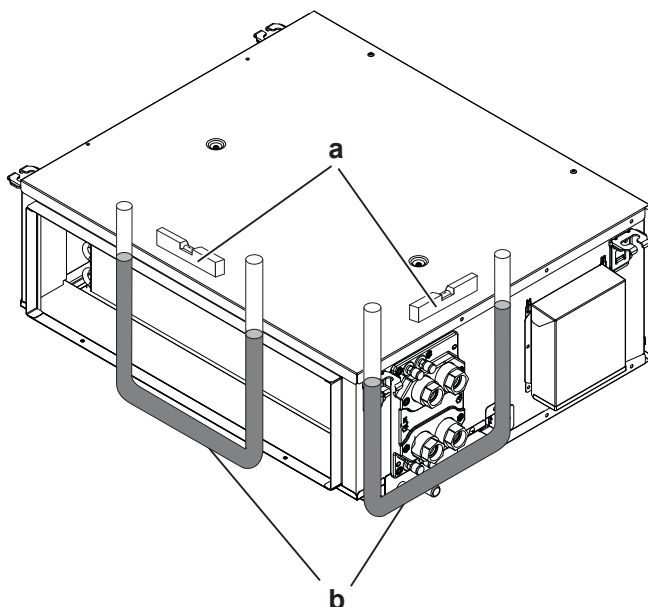


- a Гайка (приобретается по месту установки оборудования)
- b Шайба (приобретается по месту установки оборудования)
- c Подвесная скоба
- d Сдвоенная гайка (приобретается по месту установки оборудования)

- Отрегулируйте положение блока для монтажа.



- Проверьте выравнивание блока по горизонтали.
- **Выравнивание.** Проверьте выравнивание блока по всем 4 углам с помощью ватерпаса или виниловой трубки, наполненной водой.



- a Уровень
- b Виниловая трубка



ОБРАТИТЕ ВНИМАНИЕ

НЕ устанавливайте блок в наклонном положении.
Возможное следствие: Наклон блока против направления потока конденсата (сторона сливного трубопровода приподнята) может привести к протечке воды каплями.

5.4 Монтаж водяного трубопровода

5.4.1 Подготовка трубопроводов воды

До выполнения работ с трубопроводом воды проверьте следующее:

- Максимальное давление воды: 1,6 МПа.

Блок оснащен патрубками впуска и выпуска воды для подключения к водяному контуру. Водяной контур предоставляется монтажником и должен соответствовать действующим нормативным правилам.

- Минимальная температура воды: 5°C.
- Максимальная температура воды: 90°C.
- Проследите за тем, чтобы компоненты трубопроводов по месту установки выдерживали давление и температуру воды.
- Необходимо предусмотреть защиту водяного контура от превышения предельно допустимого рабочего давления.
- Обеспечьте надлежащий слив для клапана сброса давления (если он установлен) во избежание попадания воды на детали под напряжением.
- Необходимо смонтировать запорные клапаны, позволяющие проводить плановое сервисное обслуживание блока без слива воды со всей системы.
- На всех нижних точках системы необходимо смонтировать сливные краны для полного слива воды из контура на время обслуживания блока.
- На всех верхних точках системы необходимо смонтировать клапаны выпуска воздуха. Клапаны должны располагаться в местах, легко доступных для проведения обслуживания.
- Необходимо обеспечить защиту трубопроводов от физического повреждения.



ОБРАТИТЕ ВНИМАНИЕ

Убедитесь, что качество воды соответствует Директиве ЕС 2020/2184.



ОБРАТИТЕ ВНИМАНИЕ

Использование гликоля допускается, однако его количество НЕ должно превышать 40% объема. Большое количество гликоля может повредить гидравлические элементы.

5.4.2 Присоединение трубопроводов воды



ОСТОРОЖНО!

Регулировать циркуляцию воды по блоку можно только клапанами. Если фанкойл отключен, а вода продолжает циркулировать по блоку, это приводит к образованию в блоке конденсата, а возможно и к вытеканию воды в виде капель.



ОБРАТИТЕ ВНИМАНИЕ

Соединяя трубки, не применяйте чрезмерную силу. Это может привести к деформации трубок. Деформация трубок может стать причиной сбоев в работе блока.

5 Установка блока

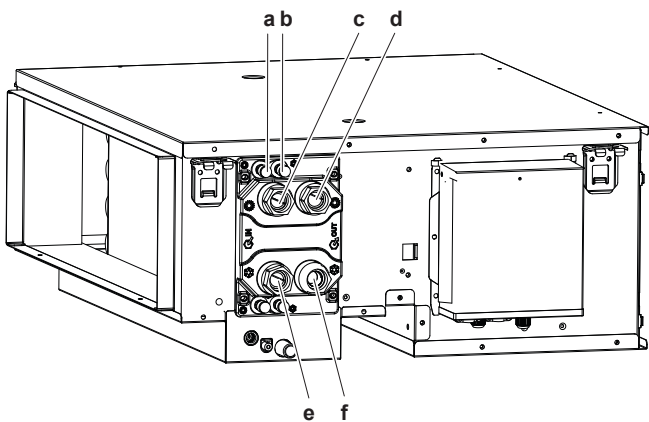


ОБРАТИТЕ ВНИМАНИЕ

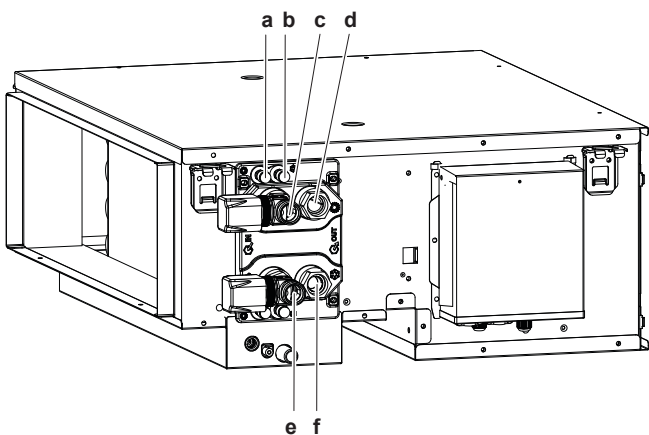
Проверьте, полностью ли изолированы все трубопроводы. Любые открытые трубы подвержены образованию конденсата.



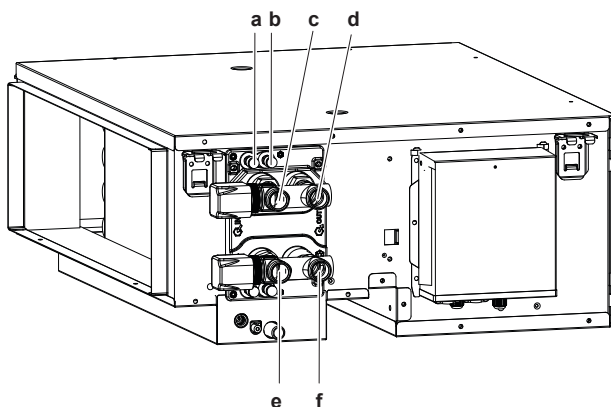
ОПАСНО! ОПАСНОСТЬ ВОЗГОРАНИЯ ИЛИ ОЖОГА



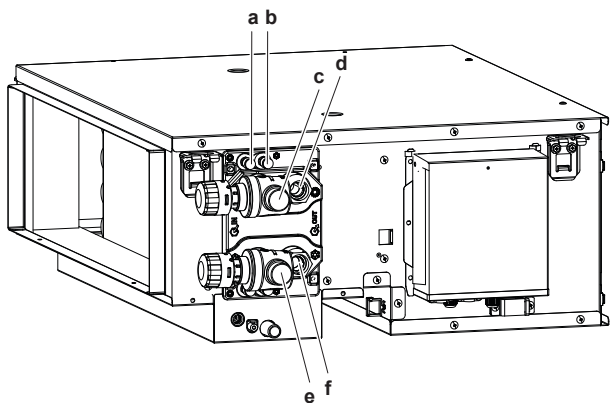
- a Продувка при работе на обогрев
- b Продувка при работе на охлаждение
- c Подвод горячей воды (с 3/4-дюймовой внутренней резьбой по британскому стандарту)
- d Слив горячей воды (с 3/4-дюймовой внутренней резьбой по британскому стандарту)
- e Подвод охлаждающей жидкости (с 3/4-дюймовой внутренней резьбой по британскому стандарту)
- f Слив охлаждающей жидкости (с 3/4-дюймовой внутренней резьбой по британскому стандарту)



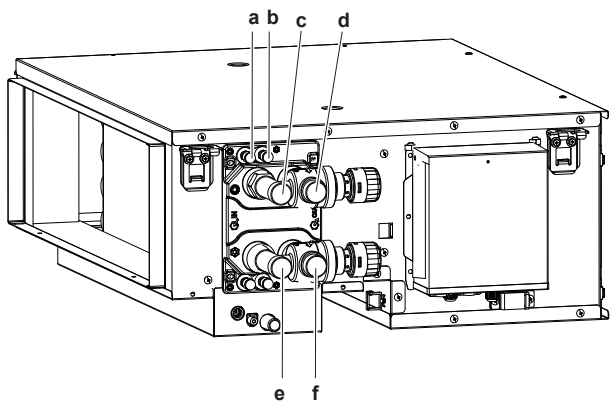
- a Продувка при работе на обогрев
- b Продувка при работе на охлаждение
- c Подвод горячей воды (номинальный диаметр 3/4 дюйма с внутренней резьбой)
- d Слив горячей воды (с 3/4-дюймовой внутренней резьбой по британскому стандарту)
- e Подвод охлаждающей жидкости (номинальный диаметр 3/4 дюйма с внутренней резьбой)
- f Слив охлаждающей жидкости (с 3/4-дюймовой внутренней резьбой по британскому стандарту)



- a Продувка при работе на охлаждение
- b Продувка при работе на обогрев
- c Подвод горячей воды (номинальный диаметр 3/4 дюйма с внутренней резьбой)
- d Слив горячей воды (номинальный диаметр 3/4 дюйма с внутренней резьбой)
- e Подвод холодной воды (номинальный диаметр 3/4 дюйма с внутренней резьбой)
- f Слив холодной воды (номинальный диаметр 3/4 дюйма с внутренней резьбой)

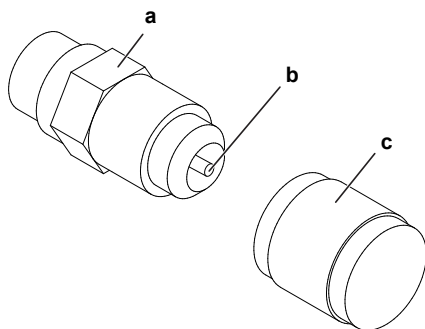


- a Продувка при работе на обогрев
- b Продувка при работе на охлаждение
- c Подвод горячей воды (номинальный диаметр 3/4 дюйма с внутренней резьбой)
- d Слив горячей воды (с 3/4-дюймовой внутренней резьбой по британскому стандарту)
- e Подвод охлаждающей жидкости (номинальный диаметр 3/4 дюйма с внутренней резьбой)
- f Слив охлаждающей жидкости (с 3/4-дюймовой внутренней резьбой по британскому стандарту)



- a Продувка при работе на обогрев
- b Продувка при работе на охлаждение
- c Подвод горячей воды (номинальный диаметр 3/4 дюйма с внутренней резьбой)
- d Слив горячей воды (номинальный диаметр 3/4 дюйма с внутренней резьбой)
- e Подвод холодной воды (номинальный диаметр 3/4 дюйма с внутренней резьбой)
- f Слив холодной воды (номинальный диаметр 3/4 дюйма с внутренней резьбой)

Заполнение водяного контура



- a Клапан выпуска воздуха
- b Клапан сброса давления
- c Колпачок

Возможно, во время заправки из системы удастся удалить не весь воздух. Остаток воздуха можно выпустить в первые часы работы блока. Воздух можно выпускать из блока через выпускной клапан вручную.

- 1 Откройте колпачок.
- 2 Нажмите на клапан сброса давления, чтобы выпустить воздух из контура (-ов) циркуляции воды по блоку.
- 3 Закройте колпачок.
- 4 После этого, возможно, понадобится долить воды (только не через клапан выпуска воздуха).



ОБРАТИТЕ ВНИМАНИЕ

Присутствие воздуха в контуре циркуляции воды может привести к сбоям в работе. Возможно, во время заправки из контура удастся удалить не весь воздух. Оставшийся воздух будет удален через автоматические клапаны выпуска воздуха в первые часы работы системы. Впоследствии может потребоваться дополнительная заправка воды.



ОБРАТИТЕ ВНИМАНИЕ

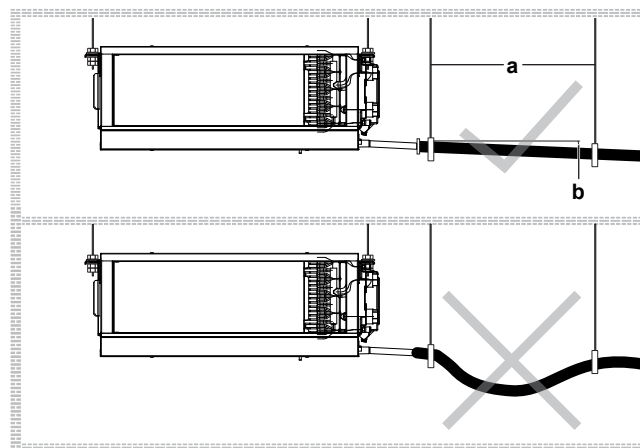
Убедитесь, что качество воды соответствует Директиве ЕС 2020/2184.

5.5 Монтаж сливного трубопровода

5.5.1 Указания по прокладке сливного трубопровода

Обеспечить соблюдение общих правил

- **Длина трубопровода.** Сливной трубопровод должен быть как можно короче.
- **Размер трубок.** Размер дренажных трубок должен быть не меньше размера соединительного патрубка (виниловая трубка с внутренним диаметром 25 мм и внешним диаметром 32 мм).
- **Конденсация.** Примите меры во избежание образования конденсата. Весь сливной трубопровод в здании необходимо заизолировать.
- **Уклон.** Проследите за наклоном сливного трубопровода вниз (с градиентом не менее 1/50) во избежание образования воздушных пробок. Смонтируйте подвесные планки, как показано на иллюстрации.



- a Подвесная планка
- ✓ Допустимо
- ✗ Недопустимо

5.5.2 Подсоединение сливного трубопровода

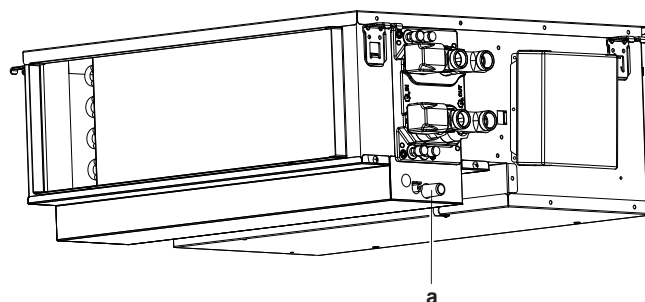
Подсоединение сливного трубопровода



ОБРАТИТЕ ВНИМАНИЕ

Неправильное подсоединение сливного шланга чревато протечками и порчей имущества как по месту установки, так и поблизости.

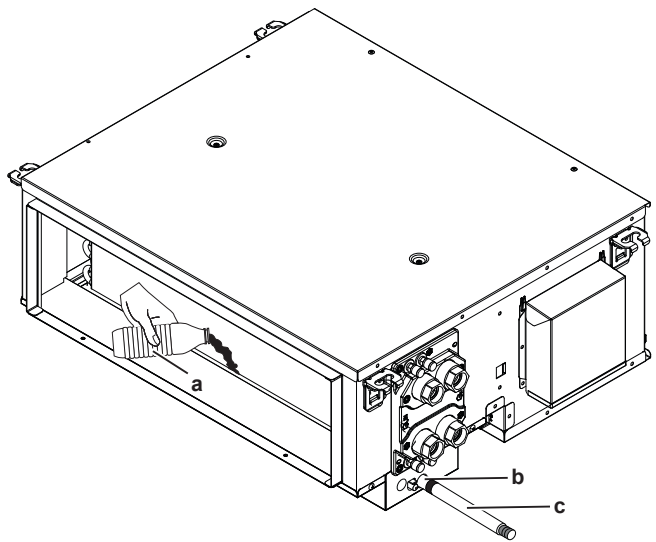
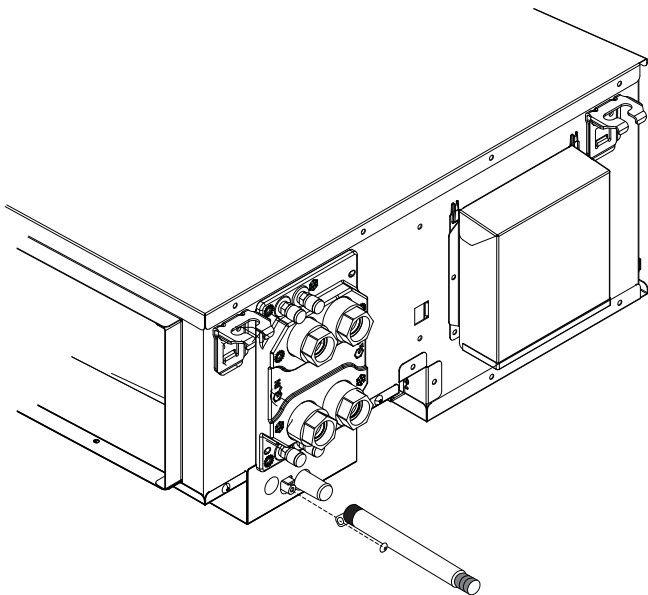
- 1 Натяните сливной шланг как можно дальше на сливной патрубок.
- 2 Затяните винт, которым сливной шланг крепится к сливному поддону.
- 3 Проверьте, нет ли протечек воды.



- a Сливной патрубок

- 4 Вставив сливной шланг, затяните крепежный винт (из комплекта принадлежностей).

5 Установка блока

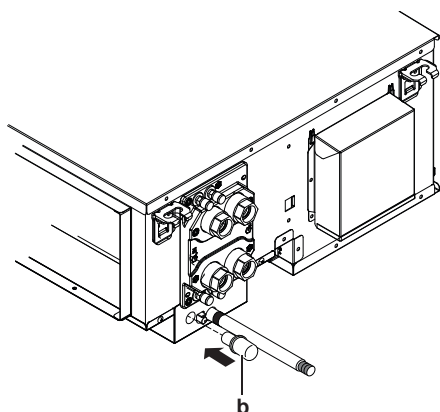
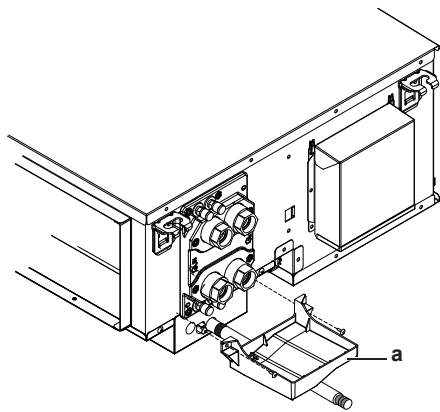


- a Пластмассовая лейка
- b Сливное отверстие (для слива воды из поддона)
- c Сливной шланг



ОБРАТИТЕ ВНИМАНИЕ

Эксплуатация блока допускается только со сливным шлангом. (Не забудьте прочно его закрепить во избежание протечек воды и вибрации).



ОБРАТИТЕ ВНИМАНИЕ

Если сливной поддон (a) не применяется, предназначенное для него отверстие обязательно закрывается заглушкой (b).

Если прокладка электропроводки завершена...

- 1 Запустите охлаждение.
- 2 Постепенно заливая примерно 1 литр воды через отверстие для выпуска воздуха, выполните проверку на протечки.

5.6 Монтаж дополнительного оборудования

5.6.1 Подготовка дополнительного оборудования



ИНФОРМАЦИЯ

Дополнительное оборудование. При установке дополнительного оборудования прочитайте также инструкции по монтажу дополнительного оборудования. В зависимости от условий по месту установки бывает, что проще сначала смонтировать дополнительное оборудование.

Дополнительное оборудование	Идентификационный код
Фильтр G2	EKAF02G5A
	EKAF03G5A
2-ходовой клапан - ON/OFF (230 В AC)	EK02WV2V3W5A
	EK04WV2V3C5A
	EK06WV2V3C5A
3-ходовой клапан - ON/OFF (230 В AC)	EK02WV3V3W5A
	EK04WV3V3C5A
	EK06WV3V3C5A
3-ходовой пропорциональный клапан (24 В AC) – 4-путевой клапан-распределитель	EK02P3V24W5A
	EK04P3V24C5A
	EK06P3V24C5A
Пульт дистанционного управления	FWEC3A
Пульт дистанционного управления (для системы с 2 трубопроводами)	FWEC2T
Пульт дистанционного управления (для системы с 4 трубопроводами)	FWEC4T
Пульт дистанционного управления (главный)	FWECSAP
Пульт дистанционного управления	FWECSAC


Дополнительное оборудование	Идентификационный код
Пульт дистанционного управления	FWTOUCHW
	FWTOUCHB
	FWTOUCHG
Комплект кабелей для клапанов	EKER015A


5.6.2 Подключение дополнительного оборудования


Технические характеристики клапанов


Коэффициент пропускной способности	Макс. рабочее давление PN (бар)	Питание приводного механизма
2,8	16	1 фаза, 230 В, 50-60 Гц
4		
6		

6 Подключение электрооборудования


 **ОПАСНО!** ОПАСНОСТЬ ПОРАЖЕНИЯ ЭЛЕКТРИЧЕСКИМ ТОКОМ

 **ВНИМАНИЕ!**
Пользуйтесь ТОЛЬКО многожильными кабелями электропитания.


 **ВНИМАНИЕ!**
Используйте автоматический выключатель с размыканием всех полюсов, причем зазоры между точками контакта должны составлять не менее 3 мм, чтобы обеспечить разъединение по всем полюсам в соответствии с условиями категории перенапряжения III.

 **ВНИМАНИЕ!**
Во избежание опасности замена поврежденного кабеля электропитания производится ТОЛЬКО изготовителем, сотрудником сервисной службы или иным квалифицированным специалистом.

6.1 Подготовка электрической проводки

 **ВНИМАНИЕ!**
К монтажу электрических соединений и компонентов допускаются ТОЛЬКО аттестованные электрики в СТРОГОМ соответствии с действующим законодательством.

 **ОПАСНО!** ОПАСНОСТЬ ПОРАЖЕНИЯ ЭЛЕКТРИЧЕСКИМ ТОКОМ

 **ВНИМАНИЕ!**
В стационарной проводке ОБЯЗАТЕЛЬНО предусматривается главный выключатель или другие средства разъединения по всем полюсам в соответствии с действующим законодательством.



ОСТОРОЖНО!

- При подсоединении электропитания сначала необходимо подсоединить кабель заземления, а затем выполнить токоподводящие соединения.
- При отсоединении электропитания сначала необходимо отсоединить токоподводящие соединения, а затем – соединение с землей.
- Длина проводов между креплением электропроводки питания и самой клеммной колодкой ДОЛЖНА быть такой, чтобы токоподводящие провода натягивались прежде чем окажется натянут провод заземления в случае натяжения электропроводки питания при ослаблении ее крепления.



ВНИМАНИЕ!

- По окончании всех электротехнических работ проверьте надежность крепления каждого элемента электрооборудования и каждой клеммы внутри распределительной коробки.
- Перед запуском блока убедитесь в том, что все крышки закрыты.



ВНИМАНИЕ!

ЗАПРЕЩАЕТСЯ подвергать цепь любым постоянным индуктивным или емкостным нагрузкам, не убедившись в том, что при этом НЕ превышаются напряжение и ток, допустимые для данного оборудования.



ОБРАТИТЕ ВНИМАНИЕ

Оборудование, о котором рассказывается в данном руководстве, может служить источником электрических помех, вызываемых токами высокой частоты. Данное оборудование соответствует нормативам, утвержденным в целях обеспечения разумной защиты от электромагнитных помех. Тем не менее, отсутствие помех в каждой конкретной ситуации не гарантируется.

Поэтому рекомендуется устанавливать это оборудование и прокладывать электропроводку на рекомендованном расстоянии от стереофонической аппаратуры, персональных компьютеров и пр.



ОПАСНО! ОПАСНОСТЬ ПОРАЖЕНИЯ ЭЛЕКТРИЧЕСКИМ ТОКОМ

- Прежде чем снимать крышку с клеммной колодки фанкойла или прикасаться к элементам электрооборудования при подключении электропроводки, необходимо полностью ОТКЛЮЧИТЬ электропитание.
- Перед обслуживанием отключите электропитание более чем на 10 минут и убедитесь в отсутствии напряжения на контактах емкостей основной цепи или электрических деталях. Перед тем как касаться деталей, убедитесь, что напряжение на них НЕ превышает 50 В постоянного тока. Расположение контактов показано на электрической схеме.
- НЕ дотрагивайтесь до электрических деталей влажными руками.
- НЕ оставляйте блок без присмотра со снятой с клеммной колодки крышкой.

6 Подключение электрооборудования



ВНИМАНИЕ!

- Используйте ТОЛЬКО медные провода.
- Убедитесь в том, что электропроводка по месту установки системы соответствует действующим законодательным нормам.
- Прокладка электропроводки ОБЯЗАТЕЛЬНО должна осуществляться в соответствии с прилагаемыми к аппарату схемами.
- НИ В КОЕМ СЛУЧАЕ не сдавливайте собранные в пучок кабели. Следите за тем, чтобы они не соприкасались с трубами и острыми краями. Проследите за тем, чтобы на разъемы клемм не оказывалось внешнее давление.
- Обязательно выполните заземление. НЕ ДОПУСКАЕТСЯ заземление блока на трубопроводы инженерных сетей, разрядники и телефонные линии. Ненадежное заземление может привести к поражению электрическим током.
- Проследите за установкой предохранителей или размыкателей цепи.
- Необходимо установить предохранитель утечки на землю. Невыполнение этого требования может привести к поражению электрическим током или пожару.

6–1 Характеристики электропроводки по месту установки оборудования

	2 трубопровода									
	04	05	06	08	10	12	14	16	20	24
Максимальный рабочий ток (А)	0,27	0,27	0,38	0,44	0,48	0,53	0,81	0,88	0,88	1,06
Максимальный рабочий ток (А) с клапанамиFN	0,34	0,34	0,45	0,51	0,55	0,60	0,88	0,95	0,95	1,13
Рекомендованный предохранитель для защиты от перегрузки по току (А)	5									
Фазы	1									
Частота (Гц)	50									
Напряжение (В)	220~240									
Допустимые колебания напряжения (%)	±10									
Типоразмер проводов (поперечное сечение в мм ²)	0,75~1,25									
Автоматический выключатель защиты от замыкания на землю	Обеспечение соответствия законодательным требованиям обязательно									

6–2 Характеристики электропроводки по месту установки оборудования

	4 трубопровода									
	04	05	06	08	10	12	14	16	20	24
Максимальный рабочий ток (А)	0,26	0,26	0,37	0,43	0,50	0,56	0,79	0,87	0,83	1,04
Максимальный рабочий ток (А) с клапанамиFN	0,33	0,33	0,44	0,50	0,57	0,63	0,86	0,94	0,90	1,11
Рекомендованный предохранитель для защиты от перегрузки по току (А)	5									
Фазы	1									
Частота (Гц)	50									
Напряжение (В)	220~240									
Допустимые колебания напряжения (%)	±10									
Типоразмер проводов (поперечное сечение в мм ²)	0,75~1,25									
Автоматический выключатель защиты от замыкания на землю	Обеспечение соответствия законодательным требованиям обязательно									

6.2 Подключение электропроводки



ОПАСНО! ОПАСНОСТЬ ПОРАЖЕНИЯ ЭЛЕКТРИЧЕСКИМ ТОКОМ



ВНИМАНИЕ!

Пользуйтесь ТОЛЬКО многожильными кабелями электропитания.



ВНИМАНИЕ!

Используйте автоматический выключатель с размыканием всех полюсов, причем зазоры между точками контакта должны составлять не менее 3 мм, чтобы обеспечить разъединение по всем полюсам в соответствии с условиями категории перенапряжения III.



ВНИМАНИЕ!

Во избежание опасности замена поврежденного кабеля электропитания производится ТОЛЬКО изготовителем, сотрудником сервисной службы или иным квалифицированным специалистом.



ОБРАТИТЕ ВНИМАНИЕ

Меры предосторожности при прокладке силовой проводки:



- НЕ подсоединяйте к силовой клеммной колодке провода разного сечения (плохой контакт проводов может привести к чрезмерному нагреву).
- При подсоединении проводов одинаковой толщины располагайте их так, как показано на рисунке выше.
- Используйте только провода, указанные в технических условиях. Соединения должны быть выполнены надежно, чтобы исключить натяжение на соединительных клеммах.
- Используйте отвертку, отвечающую требованиям, для затягивания винтов на клеммах. Отвертка с маленьким жалом сорвет шлиц, что сделает невозможным необходимую степень затягивания.
- Слишком сильное затягивание клеммных винтов может их сломать.



ОБРАТИТЕ ВНИМАНИЕ

- Следите за соответствием электрической схеме (входит в комплект поставки блока, находится за сервисной панелью).
- Порядок подсоединения дополнительного оборудования изложен в руководстве по монтажу соответствующего оборудования.
- Проверьте, НЕ помешает ли электропроводка установить крышку для техобслуживания на место.

Важно, чтобы электропроводка питания и электропроводка управления были отделены друг от друга. Чтобы избежать электромагнитных помех, расстояние между ними должно ВСЕГДА составлять не менее 50 мм.



ОБРАТИТЕ ВНИМАНИЕ

Обеспечьте отдельную прокладку линий электропитания и управления. Электропроводка управления и электропроводка питания могут пересекаться, но НЕ должны быть положены параллельно.

7 Пусконаладочные работы



ОБРАТИТЕ ВНИМАНИЕ

Прерывать пробный запуск НЕЛЬЗЯ.

7.1 Предпусковые проверочные операции

- 1 После монтажа блока проверьте перечисленное ниже.
- 2 Закройте блок.
- 3 Включите питание блока.

<input type="checkbox"/>	Полностью изучены инструкции по монтажу как описано в руководстве по применению для установщика .
<input type="checkbox"/>	Правильно ли смонтированы внутренние блоки .
<input type="checkbox"/>	НЕТ ли потерянных фаз или перезафазировки .
<input type="checkbox"/>	Заземлена ли система надлежащим образом? Затянуты ли клеммы заземления?
<input type="checkbox"/>	Установлены ли предохранители и иные предохранительные устройства по месту монтажа оборудования согласно указаниям, изложенным в этом документе? НЕТ ли перепусковых перемычек?
<input type="checkbox"/>	Соответствует ли напряжение электропитания значению, указанному на имеющейся на блоке идентификационной табличке?
<input type="checkbox"/>	В распределительной коробке НЕТ неплотных соединений или поврежденных электрических компонентов.
<input type="checkbox"/>	Внутри комнатного и наружного блоков НЕТ поврежденных компонентов и сжатых труб .
<input type="checkbox"/>	Установлены трубы надлежащего размера, и сами трубопроводы правильно изолированы.

Для пользователя

8 Меры предосторожности при эксплуатации

Изложенные далее указания и меры предосторожности обязательны к соблюдению.

8.1 Техника безопасности при эксплуатации



ОСТОРОЖНО!

НЕ вставляйте пальцы, а также палки и другие предметы в отверстия для забора и выпуска воздуха. Когда вентилятор вращается на высокой скорости, это может привести к травме.

ОСТОРОЖНО!: Обратите внимание на вентилятор!

Осматривать блок при работающем вентиляторе опасно.

Прежде чем приступать к выполнению любых работ технического обслуживания, обязательно **ОТКЛЮЧИТЕ** электропитание.

ОСТОРОЖНО!

После длительной работы блока необходимо проверить его положение на крепежной раме, а также крепежные детали на предмет повреждения. Такие повреждения могут привести к падению блока и стать причиной травмы.

ОСТОРОЖНО!

Длительное пребывание в зоне действия воздушного потока вредно для здоровья.

ОСТОРОЖНО!

НИ В КОЕМ СЛУЧАЕ не прикасайтесь к деталям внутри контроллера.

ОПАСНО! ОПАСНОСТЬ ПОРАЖЕНИЯ ЭЛЕКТРИЧЕСКИМ ТОКОМ

Перед очисткой кондиционера или воздушного фильтра обязательно остановите кондиционер и выключите все источники электропитания. В противном случае возможно поражение электрическим током или травма.

ВНИМАНИЕ!

Проследите за тем, чтобы воздух беспрепятственно проходил через вентиляционные отверстия.

ВНИМАНИЕ!

Остановите систему и ОТКЛЮЧИТЕ питание, если произойдет что-либо необычное (почувствуется запах гари и т.п.).

Продолжение работы системы при таких обстоятельствах может привести к ее поломке, к поражению электрическим током или пожару. Обратитесь к своему поставщику оборудования.

ВНИМАНИЕ!

Ни в коем случае НЕ прикасайтесь к воздуходуву и к горизонтальным створкам, когда работает воздушная заслонка. Это может привести к повреждению пальцев и поломке блока.

ВНИМАНИЕ!

НЕ держите рядом с кондиционером аэрозольные упаковки с воспламеняющимися веществами и НЕ пользуйтесь возле блока пульверизаторами с огнеопасным содержимым. Это может привести к возгоранию.

ВНИМАНИЕ!

Приступая к эксплуатации блока, убедитесь в том, что его монтаж выполнен монтажником правильно.

ВНИМАНИЕ!

Оборудование размещается таким образом, чтобы не допустить механических повреждений, в хорошо проветриваемом помещении без постоянно действующих источников возгорания (напр., открытого огня, оборудования, работающего на газе, или действующих электрообогревателей). Площадь помещений указана в разделе «Общие правила техники безопасности».

9 О системе

ВНИМАНИЕ!

Не ремонтируйте, не разбирайте, не переустанавливайте и не модифицируйте агрегат самостоятельно, поскольку неправильный демонтаж или установка могут привести к поражению электрическим током или возгоранию. Обратитесь к дилеру.

ОБРАТИТЕ ВНИМАНИЕ

НЕ пользуйтесь системой в целях, отличных от ее прямого назначения. Во избежание снижения качества работы блока НЕ пользуйтесь им для охлаждения высокоточных измерительных приборов, продуктов питания, растений, животных и предметов искусства.

ОБРАТИТЕ ВНИМАНИЕ

Для изменения или расширения системы в будущем:

Полная информация о допустимых сочетаниях (для будущего расширения системы) приведена в инженерно-технических данных. С этой информацией следует ознакомиться. За информацией и профессиональными рекомендациями обращайтесь к монтажнику.

10 Приступая к эксплуатации...



ВНИМАНИЕ!

В блоке имеются компоненты, находящиеся под напряжением, а также компоненты, нагревающиеся до высокой температуры.



ВНИМАНИЕ!

Приступая к эксплуатации блока, убедитесь в том, что его монтаж выполнен монтажником правильно.



ОСТОРОЖНО!

Дети, растения и животные НЕ должны находиться под прямым потоком воздуха из кондиционера.

Данное руководство относится к указанным ниже системам со стандартным управлением. Перед началом эксплуатации обратитесь к своему дилеру, который расскажет об особенностях приобретенной вами системы. Если она снабжена специализированной системой управления, дилер укажет на все особенности обращения с ней.

Режимы работы:

- Обогрев и охлаждение (воздухо-воздушный теплообмен).
- Только вентиляция (воздухо-воздушный теплообмен).

В данном руководстве по эксплуатации изложены общие сведения об основных функциях системы. Эти сведения не являются исчерпывающими.

Дополнительную информацию о пользовательском интерфейсе см. в руководстве по его эксплуатации.

11 Эксплуатация

11.1 Рабочий диапазон

Перечисленные далее условия являются стандартными эксплуатационными ограничениями. За информацией о тех или иных условиях обращайтесь к своему поставщику оборудования.

Режим	Условие	Ограничение температуры воздуха (по сухому/ влажному термометру)	Ограничение температуры воды (на впуске/ выпуске)	Разность температуры воды (ΔT)
Охлаждение (°C)	Мин.	15/6 (RH%20)	5/8	От 3 до 10
	Макс.	33/26 (RH%58)	18/28	
Обогрев (°C)	Мин.	15/**	35/30	От 5 до 20
	Макс.	27/**	90/70	

12 Экономия электроэнергии и оптимальные условия работы

Чтобы достичь оптимальных характеристик работы системы, необходимо соблюдать определенные правила.

- Выбирайте правильное направление воздушного потока, избегая прямого воздействия струи воздуха на находящихся в помещении людей.
- При установке температуры воздуха в помещении старайтесь создать наиболее комфортные условия. Избегайте переохлаждения и перегрева.

- При работе системы в режиме охлаждения не допускайте попадания в помещение прямых солнечных лучей, используйте занавески или жалюзи.
- Периодически проветривайте помещение. При интенсивной эксплуатации системы особое внимание нужно уделять вентиляции.
- Держите окна и двери закрытыми. Если они открыты, циркуляция воздуха снизит эффективность охлаждения или обогрева помещения.
- ИЗБЕГАЙТЕ переохлаждения и перегрева помещений. В целях экономии электроэнергии поддерживайте температуру на среднем уровне.
- Ни в коем случае НЕ размещайте посторонние предметы возле воздухозаборников и выпускных отверстий блока. Это может привести к снижению эффективности обогрева и охлаждения снижается или к полному выходу системы из строя.
- При влажности воздуха более 80% и при засорении сливного отверстия возможно образование конденсата.



ОБРАТИТЕ ВНИМАНИЕ

НЕ пользуйтесь системой в целях, отличных от ее прямого назначения. Во избежание снижения качества работы блока НЕ пользуйтесь им для охлаждения высокоточных измерительных приборов, продуктов питания, растений, животных и предметов искусства.



ОСТОРОЖНО!

НЕ включайте систему во время работы комнатного инсектицидного средства курительного типа. Это может привести к скоплению испаряемых химикатов в блоке, что чревато угрозой здоровью лиц с повышенной чувствительностью к таким веществам.

13 Техническое и иное обслуживание

13.1 Техника безопасности при техобслуживании



ОПАСНО! ОПАСНОСТЬ ВОЗГОРАНИЯ ИЛИ ОЖОГА



ОПАСНО! ОПАСНОСТЬ ПОРАЖЕНИЯ ЭЛЕКТРИЧЕСКИМ ТОКОМ



ОБРАТИТЕ ВНИМАНИЕ

Содержите воздушный фильтр в чистоте, периодически проверяя воздухопоток.



ВНИМАНИЕ!

- Прежде чем приступать к любым работам по обслуживанию или ремонту, ОБЯЗАТЕЛЬНО отключите автомат защиты на распределительном щитке.
- Следите за тем, чтобы НЕ дотрагиваться до токопроводящей части.
- Ни в коем случае НЕЛЬЗЯ мыть блок снаружи. Это может привести к поражению электрическим током или возгоранию.

Для очистки наружной поверхности фанкойла:

- 1 Выключите фанкойл.
- 2 Очистите наружную поверхность фанкойла мягкой тканью.

ОСТОРОЖНО!

- Ни в коем случае НЕЛЬЗЯ перекрывать воздухопровод и воздухозаборник блока.
- Ни в коем случае НЕЛЬЗЯ вешать влажную ткань на решетку воздуходува блока.
- Категорически НЕ допускается попадание любой жидкости в блок.

Не допускается очистка фанкойла:

- агрессивными химическими растворителями,
- водой температуры более 50°C.

По поводу обслуживания фанкойла обращайтесь к монтажнику или в обслуживающую компанию.

13.2 Меры предосторожности при техническом и сервисном обслуживании

ОБРАТИТЕ ВНИМАНИЕ

НЕ пытайтесь самостоятельно вскрывать блок и ремонтировать его. Вызовите квалифицированного специалиста, который устранит причину неисправности. При этом чистить воздушный фильтр, воздухозаборную решетку, выпускное отверстие и наружные панели могут и конечные пользователи.

ВНИМАНИЕ!

Если перегорел плавкий предохранитель, замените его другим того же номинала. Ни в коем случае НЕ применяйте самодельные перемычки. Это может привести к поломке кондиционера или возгоранию.

ОСТОРОЖНО!

После длительной работы блока необходимо проверить его положение на крепежной раме, а также крепежные детали на предмет повреждения. Такие повреждения могут привести к падению блока и стать причиной травмы.

ОБРАТИТЕ ВНИМАНИЕ

НЕ протирайте рабочую панель пульта управления бензином, растворителями, сильными химическими моющими средствами и т.п. Панель может утратить свой цвет, также возможно отслоение краски. При серьезном загрязнении смочите мягкую тряпку в водном растворе нейтрального моющего средства, отожмите ее и протрите панель. Вытрите панель насухо другой, сухой тряпкой.

ОСТОРОЖНО!

Прежде чем открыть доступ к электрическим контактам, полностью обесточьте оборудование.

ОБРАТИТЕ ВНИМАНИЕ

Перед чисткой теплообменника обязательно снимите распределительную коробку, электромотор вентилятора, дренажный насос и поплавковый выключатель. Вода и моющие средства могут повредить изоляцию электродеталей, что может стать причиной короткого замыкания или возгорания.

ВНИМАНИЕ!

При проведении высотных работ соблюдайте осторожность.

13.3 Чистка воздушного фильтра, воздухозаборной решетки, выпускных отверстий и наружных панелей

ОСТОРОЖНО!

Выключите блок, прежде чем приступать к чистке воздушного фильтра, воздухозаборной решетки, выпускного отверстия и наружных панелей.

ОБРАТИТЕ ВНИМАНИЕ

- Промывая створки водой, НЕ скребите их с силой.
Возможное следствие: Отслоение поверхностного слоя.

Чистку следует производить с помощью мягкой ткани. Смывайте пятна водой или нейтральным моющим средством.

13.3.1 Правила чистки воздушного фильтра

Периодичность чистки воздушного фильтра:

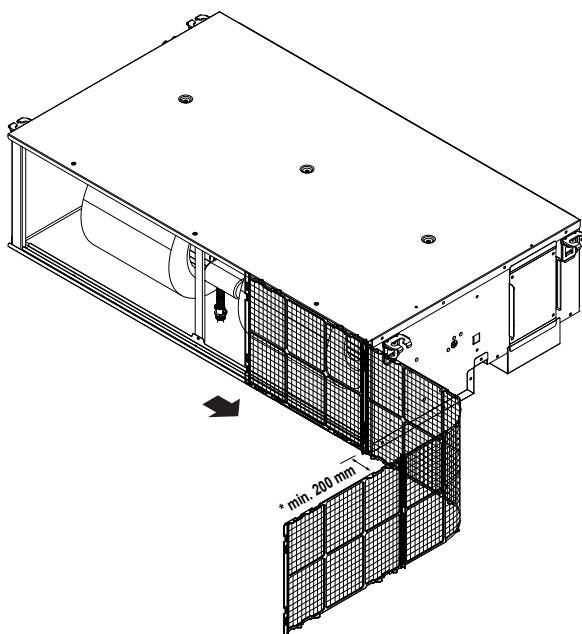
- Как правило, Чистка выполняется раз в полгода. При сильном загрязнении воздуха в помещении воздушный фильтр необходимо чистить чаще.
- Если грязь не счищается, замените воздушный фильтр (= дополнительное оборудование).

Порядок чистки воздушного фильтра:

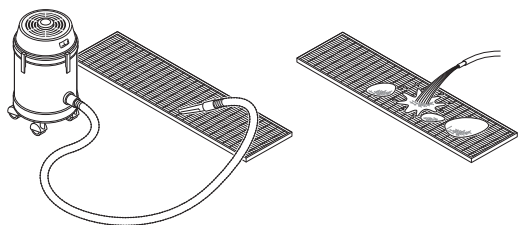
ОБРАТИТЕ ВНИМАНИЕ

НЕ пользуйтесь водой, температура которой достигает 50°C. **Возможное следствие:** Выцветание и деформация.

- 1 Выключите электропитание. Монтаж воздушного фильтра допускается как справа, так и слева. Чтобы снять фильтр, сдвиньте его, как показано ниже.



- 2 Прочистите воздушный фильтр. Воспользуйтесь пылесосом или промойте фильтр водой. Если воздушный фильтр сильно загрязнен, воспользуйтесь мягкой щеткой и нейтральным моющим средством.



- 3 Просушите воздушный фильтр в тени.
- 4 Установив воздушный фильтр на место, закройте воздухозаборную решетку.

13.4 Техническое обслуживание после длительного простоя

Например, в начале сезона.

- Проверьте и удалите все, что может перекрывать отверстия входа и выхода воздуха внутренних и наружных блоков.
- Выполните чистку воздушных фильтров и корпусов внутренних блоков (см. параграфы «13.3.1 Правила чистки воздушного фильтра» [▶ 180] и Правила чистки выпускных отверстий и наружных панелей).

13.5 Техническое обслуживание перед длительным простоем

Например, в конце сезона.

- Дайте внутренним блокам поработать только на вентиляцию в течение примерно половины дня для просушки их внутренних частей. Подробную информацию о режиме "только вентиляция" см. в параграфе Работа на охлаждение, обогрев, в режиме "только вентиляция" и в автоматическом режиме.
- Отключите электропитание. Дисплей интерфейса пользователя выключится.
- Выполните чистку воздушных фильтров и корпусов внутренних блоков (см. параграфы «13.3.1 Правила чистки воздушного фильтра» [▶ 180] и Правила чистки выпускных отверстий и наружных панелей).

13.6 Послепродажное обслуживание и гарантия

13.6.1 Рекомендации по техническому обслуживанию и осмотру

Через несколько лет эксплуатации в блоке скопится некоторое количество пыли, что вызовет небольшое снижение его производительности. Поскольку разборка и очистка внутренних элементов блоков требует технических навыков, а также в целях обеспечения наивысшего качества обслуживания ваших блоков, мы рекомендуем заключить договор о техническом обслуживании и осмотре помимо выполнения обычных операций технического обслуживания. Наша дилерская сеть имеет доступ к постоянно пополняемым запасам важнейших деталей, чтобы ваш аппарат служил как можно дольше. За подробной информацией обращайтесь к дилеру.

При обращении к дилеру по поводу проведения работ с системой всегда указывайте:

- полное название модели блока;
- заводской номер (указан на паспортной табличке блока);
- дату монтажа;
- признаки неисправности и подробности дефекта.



ВНИМАНИЕ!

Не ремонтируйте, не разбирайте, не переустанавливайте и не модифицируйте агрегат самостоятельно, поскольку неправильный демонтаж или установка могут привести к поражению электрическим током или возгоранию. Обратитесь к дилеру.

13.6.2 Сокращенная периодичность технического обслуживания и осмотра

Рассмотреть возможность сокращения периодичности технического обслуживания и замены запчастей рекомендуется в следующих ситуациях:

Блок эксплуатируется в условиях:

- повышенных колебаний температуры и влажности;
- частых колебаний параметров электропитания (напряжения, частоты, искажения формы сигнала и т.п.) (блоком нельзя пользоваться, если колебания параметров электропитания выходят за допустимые пределы);
- частых ударов и вибрации;
- присутствия в воздухе пыли, соли, масляного тумана или вредных газов, например, сернистой кислоты или сероводорода;
- частых запусков и остановок, а также работы в течение длительного времени (в помещениях с круглосуточным кондиционированием воздуха).

Рекомендуемая периодичность замены изнашивающихся деталей

Элемент	Периодичность осмотра	Периодичность технического обслуживания (с заменой запчастей или ремонтом)
Воздушный фильтр	1 год	5 лет
Высокоэффективный фильтр		1 год
Плавкий предохранитель		10 лет
Детали, работающие под давлением		При возникновении коррозии обращайтесь к своему поставщику оборудования.



ИНФОРМАЦИЯ

Гарантия может не распространяться на ущерб, возникший в результате разборки и очистки внутренних компонентов кем-либо, кроме уполномоченных дилеров.

14 Поиск и устранение неполадок

В случае обнаружения сбоев в работе системы предпримите указанные ниже меры и обратитесь к дилеру.

Ремонт системы производится ТОЛЬКО квалифицированными специалистами сервисной службы.

Неисправность	Ваши действия
При частом срабатывании защитных устройств (автоматов защиты, датчиков утечки на земле, плавких предохранителей) или поломке тумблера включения/выключения.	Переведите главный выключатель питания в выключенное положение.

15 Утилизация

Неисправность	Ваши действия
Если из блока вытекает вода.	Остановите систему.
Выключатель работает со сбоями.	Выключите питание.

Если после выполнения перечисленных выше действий система по-прежнему НЕ работает или работает некорректно, проверьте ее работоспособность в изложенном далее порядке.

Неисправность	Способы устранения
Система не работает совсем.	<ul style="list-style-type: none"> Проверьте, не прекратилась ли подача электропитания. Подождите, пока не возобновится подача электропитания. Проверьте, не перегорел ли плавкий предохранитель и не сработал ли автоматический размыкатель цепи. Если необходимо, замените предохранитель или переведите размыкатель цепи в рабочее положение.
Система работает, но воздух недостаточно охлаждается или нагревается.	<ul style="list-style-type: none"> Проверьте, не перекрыт ли посторонними предметами забор воздуха в систему или выброс воздуха из нее. Устранив препятствия, обеспечьте свободную циркуляцию воздуха. Проверьте, не засорен ли воздушный фильтр (см. параграф «13.3.1 Правила чистки воздушного фильтра» [р. 180]). Проверьте заданные значения температуры. Проверьте скорость вращения вентилятора, заданную с помощью интерфейса пользователя. Проверьте, не открыты ли окна и двери. Закройте их, чтобы перекрыть приток наружного воздуха в помещение. Проверьте, не находится ли в помещении слишком много людей при работе системы на охлаждение. Убедитесь в том, что в помещении нет дополнительных источников тепла. Проверьте, не попадают ли в помещение прямые солнечные лучи. Занавесьте окна. Убедитесь в том, что направление воздушного потока выбрано правильно.

Если после выполнения перечисленных выше действий устранить неполадку самостоятельно не удалось, обратитесь к монтажнику и сообщите признаки неисправности, полное название модели аппарата (если возможно, с заводским номером) и дату монтажа.

14.1 Устранение сбоев в работе фанкойла

Фанкойл не работает

Если фанкойл не работает:

Проверьте:	Если это так,
Фанкойл ВЫКЛЮЧЕН ?	ВКЛЮЧИТЕ фанкойл.
Не отключено ли электричество?	Подключите электропитание.

Проверьте:	Если это так,
Не отключился ли автоматический прерыватель (предохранитель)?	Обратитесь к монтажнику или в обслуживающую компанию.

Фанкойл охлаждает или обогревает неудовлетворительно

Если фанкойл охлаждает или обогревает неудовлетворительно:

Проверьте:	Если это так,
Нет ли препятствий возле впуска или выпуска воздуха?	Удалите препятствие.
Не открыты ли двери и окна?	Закройте двери и окна.
Фанкойл работает на малой скорости ?	Выберите среднюю скорость или высокую скорость .
Не загрязнились ли воздушные фильтры?	Обратитесь к монтажнику или в обслуживающую компанию.

В фанкойле протекает вода

Отключите агрегат и обратитесь к монтажнику или в обслуживающую компанию.

Если фанкойл работает неудовлетворительно, можно попытаться решить проблему с помощью мер по устранению неисправностей, описанных в данной главе.

Если проблема не решается или не представлена в данной главе, обратитесь к монтажнику или в обслуживающую компанию.

14.2 Переезд

Если возникла необходимость полностью демонтировать и переустановить блок, обратитесь к своему поставщику оборудования. Перемещение блоков требует технических навыков.

15 Утилизация

- Блоки помечены следующим символом:



Это значит, что электрические и электронные изделия НЕЛЬЗЯ смешивать с несортированным бытовым мусором. НЕ пытайтесь демонтировать систему самостоятельно: демонтаж системы, удаление холодильного агента, масла и других компонентов ДОЛЖНЫ проводиться уполномоченным монтажником В СООТВЕТСТВИИ с действующим законодательством.

Блоки НЕОБХОДИМО сдавать на специальную перерабатывающую станцию для утилизации, переработки и вторичного использования. Обеспечивая надлежащую утилизацию настоящего изделия, вы способствуете предотвращению наступления возможных негативных последствий для окружающей среды и здоровья людей. За дополнительной информацией обращайтесь к монтажнику или в местные органы власти.

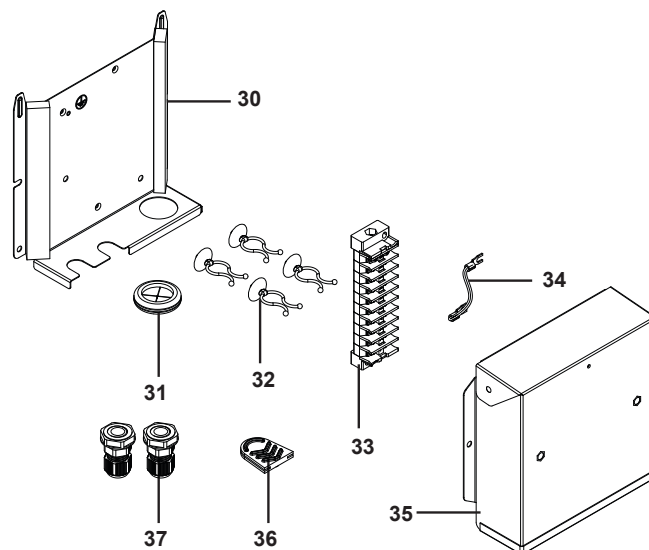
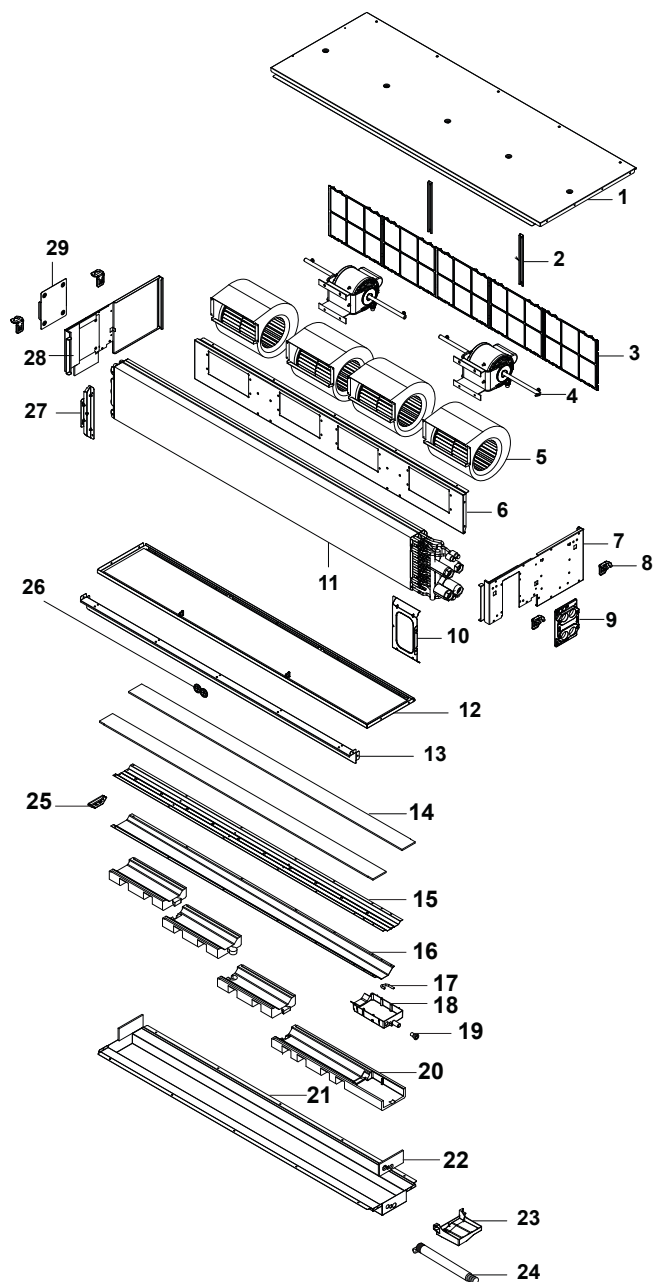


ОБРАТИТЕ ВНИМАНИЕ

НЕ пытайтесь демонтировать систему самостоятельно: демонтаж системы, удаление холодильного агента, масла и других компонентов проводятся в СТРОГОМ соответствии с действующим законодательством. Блоки НЕОБХОДИМО сдавать на специальную перерабатывающую станцию для утилизации, переработки и вторичного использования.

По окончании установки монтажник обязан проверить работоспособность оборудования. Если что-то пошло не так и блок не работает, обратитесь к своему поставщику оборудования.

Снимайте винты подходящим инструментом. Разборка аппарата производится, как показано ниже.

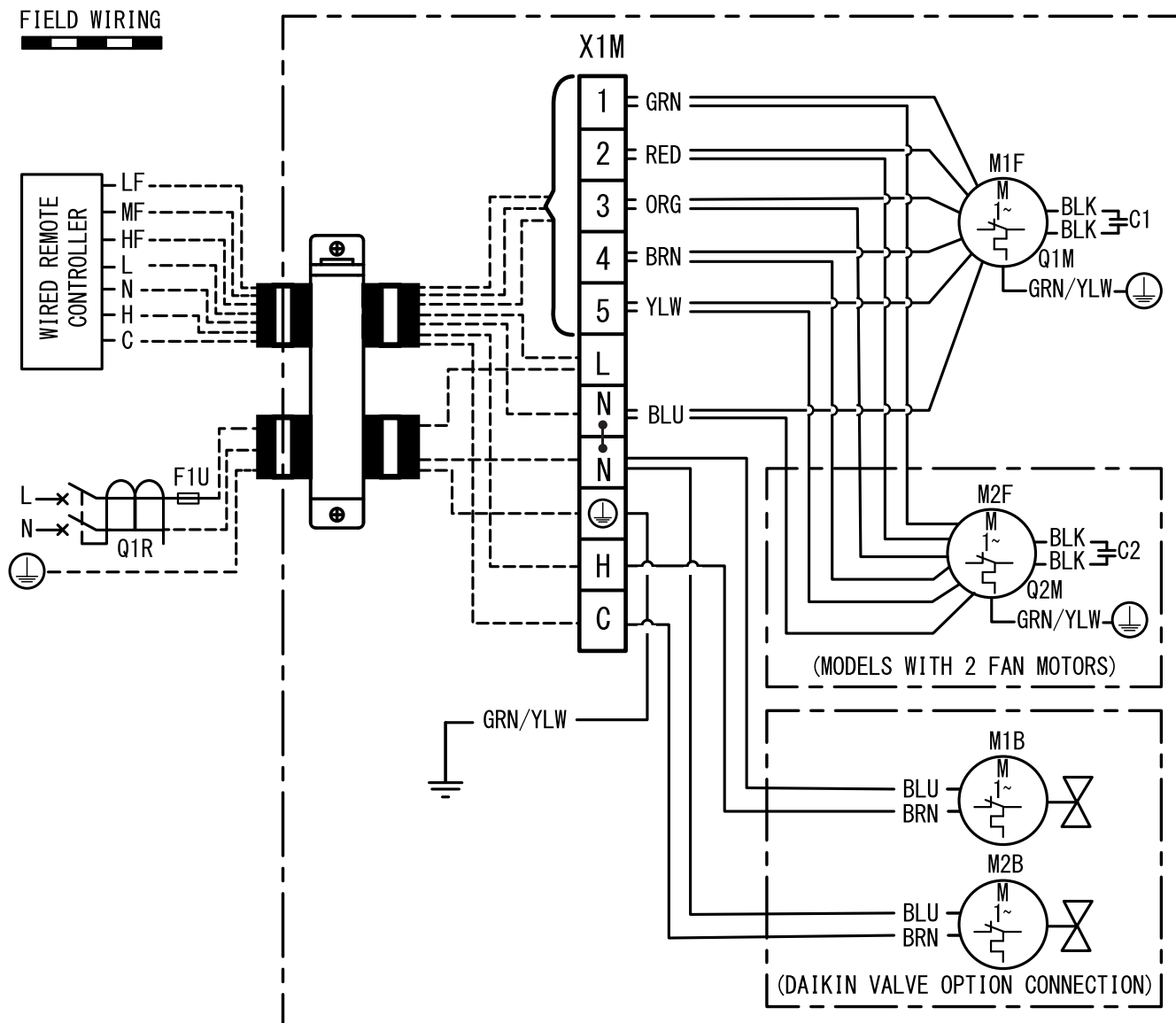


Материалы	Элемент
Электрооборудование (электродвигатель вентилятора + конденсатор)	4
Алюминий (ребра) + медь (трубки) + оцинкованная сталь (панели) + латунь + пенопласт	11
Пластмасса	9, 18, 23, 24, 32, 37
Пенопласт	14, 22
Пластмасса + металл	33, 34
Пластмасса (рама) + пластмасса (сетка)	3
Оцинкованная сталь	2, 5, 6, 8, 13, 15, 16, 21, 27
Оцинкованная сталь + пенопласт	1, 7, 10, 12, 28, 29, 30, 35
Резина	19, 25, 26, 31, 36
Полипропилен	20
Медь	17

16 Технические данные

Подборка самых свежих технических данных размещена на региональном веб-сайте Daikin (в открытом доступе). **Полные** технические данные в самой свежей редакции размещаются на интернет-портале Daikin Business Portal (требуется авторизация).

16.1 Электрическая схема



Обозначения на схемах электропроводки:

C1 , C2	Конденсатор
F1U	Плавкий предохранитель, приобретаемый по месту эксплуатации
M1F, M2F	Электродвигатель вентилятора
M1B	Приводной механизм обогрева
M2B	Приводной механизм охлаждения
Q1M , Q2M	Реле защиты от перегрева
Q1R	Предохранитель утечки на землю
X1M	Клеммная колодка
L	Фаза
N	Нейтраль
1	Минимальные обороты
5	Максимальные обороты
H	Электромагнитный клапан обогрева
C	Электромагнитный клапан охлаждения
LF	Малые обороты вентилятора
MF	Средние обороты вентилятора
HF	Повышенные обороты вентилятора

	Защитное заземление
	Заземление

Цвета:

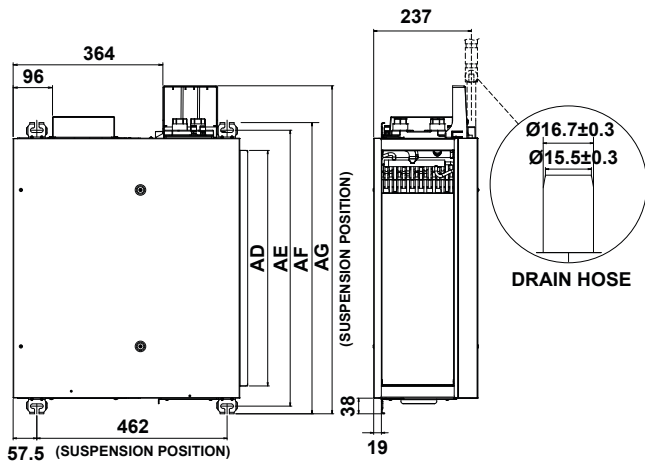
BLK	Черный
BLU	Голубой
BRN	Коричневый
GRN	Зеленый
ORG	Оранжевый
RED	Красный
YLW	Желтый

Замечания:

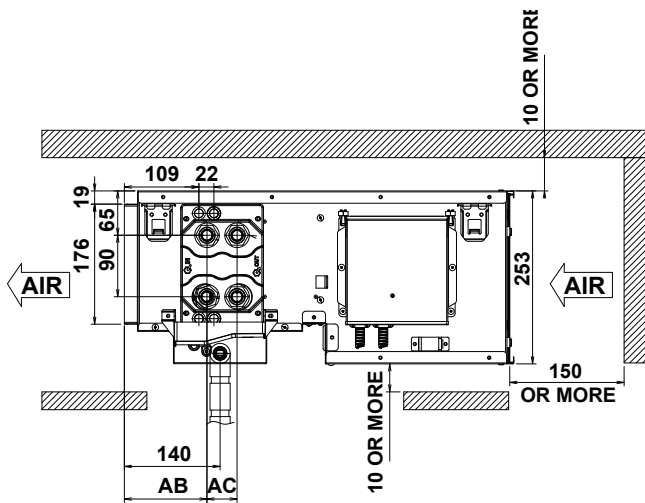
- : Клеммная колодка : Электропроводка по месту установки оборудования.
- Требования к электропитанию см. в руководстве по монтажу

16.2 Габариты

Обзор



МОДЕЛЬ	AD	AE	AF	AG
FWE04&05 &06F	572	670	707	797
FWE08&10 &12F	877	975	1012	1102
FWE14&16 F	1187	1285	1322	1412
FWE20&24 F	1487	1585	1622	1712



МОДЕЛЬ	AB	AC
FWE04&05&06&08& 10&12F	118	50
FWE14&16&20&24F	121	44

17 Информација о трeбованијaх екологичногo проeктирoванијa

17 Информација о трeбованијaх екологичногo проeктирoванијa

P rated,c	P rated,c	P rated,h	P elec	L wa
(GB) Cooling capacity (sensible) (D) Kühlleistung (sensibel) (F) Puissance de rafraîchissement (sensible) (NL) Koelcapaciteit (voelbaar) (E) Capacidad de refrigeración (sensible) (I) Capacità di raffreddamento (sensibile) (GR) Ατρόοση ψυήης (αισθητήρι) (P) Capacidad de arrefecimento (sensible) (TR) Soğutma kapasitesi (duyarlı) (RU) Хладопроводительность (вняна) (S) Kylningskapacitet (känslig) (N) Avkjølingskapasitet (følbart) (CZ) Chladicí výkon (citelný) (HR) Kapacitet hlađenja (osjetljivo) (H) Hűtési teljesítmény (érzékeny) (RO) Capacitate de răcire (fără dezumidificare) (SD) Моћ хлађeњa (зазнавна) (SK) Kapacita chladenia (účelná) (ES) Capacidad de refrigeración (práctico) (PL) Wydajność chłodnicza (lawna) (DK) Kølekapacitet (mærkbart) (FIN) Jäähdytyskapasiteetti (järkevä) (EST) Jahutusvõimsus (mõeldukas) (LV) Dzesāšanas kapacitāte (jūtama) (LT) Vėsavimo galia (tikroji) (AL) Kapaciteti i ftohjes (sensibël) (SRB) Kapacitet hlađenja (opipljiv)	(GB) Cooling capacity (latent) (D) Kühlleistung (latent) (F) Puissance de rafraîchissement (latente) (NL) Koelcapaciteit (latent) (E) Capacidad de refrigeración (latente) (I) Capacità di raffreddamento (latente) (GR) Ατρόοση ψυήης (ακίνητο) (P) Capacidad de arrefecimento (latente) (TR) Soğutma kapasitesi (gizli) (RU) Хладопроводительность (скрытая) (S) Kylningskapacitet (latent) (N) Avkjølingskapasitet (latent) (CZ) Chladicí výkon (latentní) (HR) Kapacitet hlađenja (latentno) (H) Hűtési teljesítmény (látens) (RO) Capacitate de răcire (cu dezumidificare) (SD) Моћ хлађeњa (латентна) (SK) Kapacita chladenia (latentná) (ES) Capacidad de refrigeración (potencial) (PL) Wydajność chłodnicza (ujajona) (DK) Kølekapacitet (skjult) (FIN) Jäähdytyskapasiteetti (latentti) (EST) Jahutusvõimsus (latentne) (LV) Dzesāšanas kapacitāte (latentā) (LT) Vėsavimo galia (latentinė) (AL) Kapaciteti i ftohjes (në gjenjeje gjumi) (SRB) Kapacitet hlađenja (latentan)	(GB) Heating capacity (D) Heizleistung (F) Puissance de chauffage (NL) Verwarmingscapaciteit (E) Capacidad de calefacción (I) Capacità di riscaldamento (GR) Ατρόοση θέρμανσης (P) Capacidad de aquecimiento (TR) Isıtma kapasitesi (RU) Теплопроводительность (S) Värmekapacitet (N) Oppvarmingskapasitet (CZ) Topný výkon (HR) Kapacitet grijanja (H) Fűtési teljesítmény (RO) Capacitate de încălzire (SD) Моћ oгрeвaњa (SK) Výkon ohrevu (ES) Capacidad de calefacción (potencial) (PL) Wydajność grzewcza (DK) Varmekapacitet (FIN) Lämmitysvoima (EST) Küttevõimsus (LV) Apsildes kapacitāte (LT) Šildymo galia (AL) Kapaciteti i ngrohjes (SRB) Kapacitet grijanja	(GB) Total electric power input (D) Elektrische Gesamtaufnahme (F) Entrée électrique totale (NL) Totaal opgenomen vermogen (E) Potencia eléctrica de entrada total (I) Potenza elettrica totale assorbita (GR) Ζωολική ηλεκτρική ισχύς εισόδου (P) Entrada de potencia eléctrica total (TR) Sıkilen toplam elektrik gücü (RU) Общая потребляемая электрическая мощность (S) Total effektingång (N) Nivå på lydeffekt (per hastighetsinnstilling, hvis tilgjengelig) (CZ) Hladina akustického výkonu (dle nastavení oáček pokud je to použitelné) (HR) Razina jačine zvuka (postavka prema brzini, ako je primjenljivo) (H) Hangerőszint (sebességszintenként, ha alkalmazható) (RO) Nivel presiune sonoră (în funcție de turată, dacă este cazul) (SD) Rавeн звoчнe мoчи (глeдe на нaстaвeнaтeн вeлoчeст, чe сe вoрaблja) (SK) Úroveň akustického tlaku (na príslušné nastavenie rýchlosti, ak sa používa ako s prílohou) (ES) Nivel de potencia acústica (por regulación de velocidad, se aplicable) (PL) Poziom moc dźwięku (dla ustawienia prędkości, jeśli dotyczy) (DK) Støjniveau (efter hastighedsindstilling hvis relevant) (FIN) Äänen tehotaaso (nopeusasetuksen mukaan, jos sovellettavissa) (EST) Helivõimsuse tase (võimalusel olemvalt määratud kiirusest) (LV) Skanra intensitātes līmenis (attiecīgā gadījumā – katram ātruma iestatījumam) (LT) Garso galios lygis (vienai greičio nuostatai, jei taikytina) (AL) Niveli i fuqisë së tingullit (për cilësimin e shpejtësisë, nëse aplikohet) (SRB) Nivo zvučne snage (po podešenoj brzini, ako je primenljivo)	(GB) Schallleistungspegel (je Geschwindigkeitseinstellung, falls zutreffend) (D) Niveau de puissance sonore (par réglage de vitesse, le cas échéant) (F) Geluidsvormigheidsniveau (per snelheidsinstelling, indien van toepassing) (NL) Nivel de potencia acústica (según ajuste de velocidad, si corresponde) (I) Livello di potenza sonora (per velocità impostata, se applicabile) (GR) Στάθμη ηχητικής ισχύος (ανάρρυθση ταχύτητας, σε εφαρμογή) (P) Nivel de potencia acústica (por regulación de velocidad, se aplicable) (TR) Ses gücü seviyesi (mümkünse hız ayarına) (RU) Уровeнь звукового давления (согласно настройке скорости, если применимо) (S) Lydeffektsnivå (per hastighetsinnstilling, om tillämpligt) (N) Nivå på lydeffekt (per hastighetsinnstilling, hvis tilgjengelig) (CZ) Hladina akustického výkonu (dle nastavení oáček pokud je to použitelné) (HR) Razina jačine zvuka (postavka prema brzini, ako je primjenljivo) (H) Hangerőszint (sebességszintenként, ha alkalmazható) (RO) Nivel presiune sonoră (în funcție de turată, dacă este cazul) (SD) Rавeн звoчнe мoчи (глeдe на нaстaвeнaтeн вeлoчeст, чe сe вoрaблja) (SK) Úroveň akustického tlaku (na príslušné nastavenie rýchlosti, ak sa používa ako s prílohou) (ES) Nivel de potencia acústica (por regulación de velocidad, se aplicable) (PL) Poziom moc dźwięku (dla ustawienia prędkości, jeśli dotyczy) (DK) Støjniveau (efter hastighedsindstilling hvis relevant) (FIN) Äänen tehotaaso (nopeusasetuksen mukaan, jos sovellettavissa) (EST) Helivõimsuse tase (võimalusel olemvalt määratud kiirusest) (LV) Skanra intensitātes līmenis (attiecīgā gadījumā – katram ātruma iestatījumam) (LT) Garso galios lygis (vienai greičio nuostatai, jei taikytina) (AL) Niveli i fuqisë së tingullit (për cilësimin e shpejtësisë, nëse aplikohet) (SRB) Nivo zvučne snage (po podešenoj brzini, ako je primenljivo)

P rated,c	P rated,c (latent)	P rated,h	Pelec	Lwa	Pelec	Lwa
FWE04FF	1,8	2,6	0,057	52	0,058	52
FWE05FF	2,0	2,7	0,057	53	0,058	52
FWE06FF	2,7	3,2	0,079	61	0,082	61
FWE08FF	3,5	5,1	0,094	55	0,096	54
FWE10FF	3,7	5,3	0,109	57	0,103	57
FWE12FF	4,3	5,8	0,122	60	0,115	61
FWE14FF	5,6	8,1	0,170	61	0,175	60
FWE16FF	6,3	8,8	0,189	64	0,190	64
FWE20FF	8,3	10,7	0,180	60	0,191	59
FWE24FF	9,7	11,8	0,224	64	0,230	64

İçindekiler

1 Dokümanlar hakkında	187
1.1 Bu doküman hakkında.....	187
1.2 Uyarı ve simgelerin anlamları.....	188
1.3 Genel.....	188
2 Özel montör güvenlik talimatları	188
Montör için	189
3 Kutu hakkında	189
3.1 Fan coil ünitesini ambalajından çıkarmak ve taşımak için.....	189
3.2 Fan coil ünitesinden aksesuarları çıkarmak için.....	190
4 Üniteler ve seçenekler hakkında	190
4.1 Tanım.....	190
4.1.1 Tanıtma etiketi: Fan coil ünitesi.....	190
5 Ünite montajı	190
5.1 Montaj sahasının hazırlanması.....	190
5.2 Değiştirilebilirlik.....	191
5.3 Ünitenin montajı.....	191
5.3.1 Askı civatalarını monte etmek için.....	191
5.3.2 Üniteyi monte etmek için.....	192
5.4 Su borularının montajı.....	193
5.4.1 Su borularının hazırlanması.....	193
5.4.2 Su borularının bağlanması.....	193
5.5 Drenaj borularının montajı.....	194
5.5.1 Drenaj borusu montajı sırasında uyulacak esaslar.....	194
5.5.2 Drenaj borularının bağlanması.....	194
5.6 Opsiyonel cihazların montajı.....	195
5.6.1 Opsiyonel cihazların hazırlanması.....	195
5.6.2 Opsiyonel ekipmanın bağlanması.....	196
6 Elektrikli bileşenler	196
6.1 Elektrik kablolarının hazırlanması.....	196
6.2 Elektrik kablolarının bağlanması.....	197
7 İşletmeye alma	198
7.1 İşletmeye alma öncesi kontrol listesi.....	198
Kullanıcı için	198
8 Kullanıcı güvenlik talimatları	198
8.1 Güvenli işletim için talimatlar.....	198
9 Sistem hakkında	199
10 İşletim öncesinde	199
11 İşletim	199
11.1 Çalışma aralığı.....	199
12 Enerji tasarrufu ve optimum işletim	200
13 Bakım ve servis	200
13.1 Bakım güvenlik önlemleri.....	200
13.2 Bakım ve servis için önlemler.....	200
13.3 Hava filtresi, emme ızgarası, hava çıkışı ve dış panelleri temizleme.....	201
13.3.1 Hava filtresini temizlemek için.....	201
13.4 Uzun bir durma döneminden sonra bakım.....	201
13.5 Uzun bir durma döneminden önce bakım.....	201
13.6 Satış sonrası servis ve garanti.....	201
13.6.1 Önerilen bakım ve muayene.....	201
13.6.2 Kısıtlanmış bakım ve yenileme periyotları.....	201
14 Sorun giderme	202

14.1 Fan coil ünitenizdeki sorunları çözmek için.....	202
14.2 Yer değiştirme.....	202

15 Bertaraf **202****16 Teknik veriler** **203**

16.1 Kablo şeması.....	204
16.2 Boyutlar.....	205

17 Ecodesign için bilgi gereklilikleri **206****1 Dokümanlar hakkında****1.1 Bu doküman hakkında****UYARI**

Bu cihaz, güvenli bir şekilde kullanımıyla ilgili nezaret veya talimat sağlandığı ve kapsanan tehlikeleri anladıkları taktirde 8 yaşında ve daha büyük çocuklar ve düşük fiziksel, duyuşsal veya zihni yeteneklere sahip veya deneyimden ve bilgiden yoksun kişiler tarafından kullanılabilir.

Çocuklar cihazla OYNAMAMALIDIR.

Temizlik ve kullanıcı bakımı nezaret olmadan çocuklar tarafından YAPILMAYACAKTIR.

Hedef kitle

Yetkili montajcılar + son kullanıcılar

**BİLGİ**

Bu cihaz ticari, endüstriyel veya iş amaçlı ortamlarda kullanım için tasarlanmıştır.

Dokümantasyon seti

Bu doküman bir dokümantasyon setinin parçasıdır. Tam set şunlardan oluşur:

- **Genel güvenlik önlemleri:**
 - Montajdan önce okumanız gereken güvenlik talimatları
 - Format: Basılı (iç ünite kutusundan çıkar)
- **İç ünite montaj ve kullanım kılavuzu:**
 - Montaj ve kullanım talimatları
 - Format: Basılı (iç ünite kutusundan çıkar)
 - Format: Dijital dosyaları <https://www.daikin.eu> adresinde bulabilirsiniz. Modelinizi bulmak için 🔍 arama işlevini kullanın.

Sağlanan dokümanların en son revizyonu bölgesel Daikin web sitesinde yayınlanır ve satıcınız aracılığıyla temin edilebilir.

Orijinal talimatlar İngilizce yazılmıştır. Diğer tüm diller asıl talimatların çevirileridir.

Teknik mühendislik verileri

- En son teknik verilerin bir **alt kümesine** bölgesel Daikin web sitesinden (genel erişime açık) ulaşılabilir.
- En son teknik verilerin **tam setine** Daikin Business Portal üzerinden ulaşılabilir (kimlik denetimi gerekir).

İTHALATÇI FİRMA

DAIKIN ISITMA VE SOĞUTMA SİSTEMLERİ SAN. TİC. A.Ş.

Gülsuyu Mah. Fevzi Çakmak Cad. Burçak Sok. No. 20 34848 Maltepe İSTANBUL / TÜRKİYE

2 Özel montör güvenlik talimatları

1.2 Uyarı ve simgelerin anlamları



TEHLİKE

Ölüm veya ciddi yaralanmalarla sonuçlanacak durumları gösterir.



TEHLİKE: ELEKTRİK ÇARPMASI SONUCU ÖLÜM RİSKİ

Elektrik çarpmasına yol açabilecek durumları gösterir.



TEHLİKE: YANMA/HAŞLANMA RİSKİ

Aşırı yüksek veya aşırı düşük sıcaklıklar nedeniyle yanmaya/haşlanmaya neden olabilecek durumları gösterir.



UYARI

Ölüm veya ciddi yaralanmalarla sonuçlanabilecek durumları gösterir.



İKAZ

Küçük veya orta ciddiyette yaralanmalarla sonuçlanabilecek durumları gösterir.



DİKKAT

Cihaz hasarları veya maddi hasarla sonuçlanabilecek durumları gösterir.



BİLGİ

Yararlı ipuçlarını veya ilave bilgileri gösterir.

Ünitede kullanılan semboller:

Sembol	Açıklama
	Montajdan önce, montaj ve kullanım kılavuzu ile kablo bağlantısı talimat yaprağını okuyun.

1.3 Genel

Ünitenin nasıl monte edilmesi veya çalıştırılması gerektiği konusunda emin DEĞİLENSİZ, satıcınıza danışın.



UYARI

Ekipman veya aksesuarların uygun olmayan şekilde montajı veya bağlanması elektrik çarpması, kısa devre, sızıntı veya ekipmanda diğer hasarlara neden olabilir. Aksi belirtilmedikçe YALNIZCA Daikin tarafından üretilmiş veya onaylanmış aksesuarlar, isteğe bağlı ekipmanlar ve yedek parçalar kullanın.



UYARI

Montaj, test ve uygulama malzemelerinin (Daikin kılavuzlarında açıklanan talimatlardan öncelikli olarak) ilgili mevzuata uygun olduğundan emin olun.



İKAZ

Sistemle ilgili montaj, bakım veya servis çalışmaları gerçekleştirirken uygun kişisel koruyucu malzeme ve ekipmanları (koruyucu eldivenler, koruyucu gözlükler,...) kullanın.



UYARI

Özellikle çocukların OYNAMAMASI için, ambalajdan çıkan naylon torbaları parçalayarak çöpe atın. **Olası sonuç:** boğulma.



UYARI

Ünitenin küçük hayvanlar tarafından bir sığınak olarak kullanılmasını önlemek için gerekli önlemleri alın. Küçük hayvanların elektrikli parçalara temas etmesi arızalara, dumana veya yangına yol açabilir.



İKAZ

Ünitenin hava girişine veya alüminyum kanatlarına KESİNLİKLE dokunmayın.



İKAZ

- Ünitenin üzerine KESİNLİKLE herhangi bir cisim veya cihaz koymayın.
- Ünitenin üzerine KESİNLİKLE çıkmayın, oturmayın ve basmayın.



TEHLİKE: ELEKTRİK ÇARPMASI SONUCU ÖLÜM RİSKİ

- Sistemin düzgün topraklandığından emin olun.
- Bakım yapmadan önce güç kaynağını KAPATIN.
- Güç kaynağını açmadan önce anahtar kutusu kapağını takın.



İKAZ

- Montaj yerinin ünitenin ağırlığını taşıyabileceğini kontrol edin. Kötü montaj tehlikelidir. Aynı zamanda titreşime veya anormal işletim gürültüsüne neden olabilir.
- Yeterli servis alanı sağlayın.
- Titreşime neden olabileceği için üniteyi tavana veya duvara temas edecek şekilde KURMAYIN.



TEHLİKE: ELEKTRİK ÇARPMASI SONUCU ÖLÜM RİSKİ

Fan coil ünitelerini ıslak elle ÇALIŞTIRMAYIN. Elektrik çarpması meydana gelebilir.



UYARI

Bu ünite elektrikli ve sıcak parçalar içerir.



UYARI

Besleme kablosu zarar görürse tehlikeye meydan vermemek için imalatçı, onun servis temsilcisi veya benzer kalifiye bir personel tarafından DEĞİŞTİRİLMELİDİR.

2 Özel montör güvenlik talimatları

Her zaman aşağıdaki güvenlik talimatlarına ve yönetmeliklerine uyun.



UYARI

Montaj, servis, bakım ve onarım işlemlerinin Daikin talimatlarına ve ilgili mevzuata (örneğin ulusal gaz yönetmeliği) uyduğundan ve SADECE yetkili kişiler tarafından yapıldığından emin olun.



UYARI

Montaj bir montajcı tarafından yapılacak, malzeme seçimi ve montaj ilgili mevzuata uygun olacaktır. Avrupa'daki ilgili standart EN378 sayılı standarttır.



UYARI

Bu borular çok sıcak olacağından ara bağlantı kablolarını ısı yalıtımsız bakır borulardan uzak tutun.

**İKAZ**

Metal donatılar veya metal levhalar içeren duvarlar için olası ısınma, elektrik çarpması veya yangın sorunlarını ortadan kaldırmak için duvara gömülü boru ve duvardan geçen delikler için duvar kapağı kullanın.

**DİKKAT**

- Boru tesisatı güvenle monte edilecek ve fiziksel hasarlardan korunacaktır.
- Boru tesisatı montajını asgari düzeyde tutun.

**UYARI**

- Yerel olarak satın alınan elektrik parçalarını ürünün içerisinde KULLANMAYIN.
- Vana vb. için terminal bloğundan güç beslemesinde dallanma YAPMAYIN. Aksi takdirde, elektrik çarpmalı veya yangın çıkabilir.

Montör için**3 Kutu hakkında**

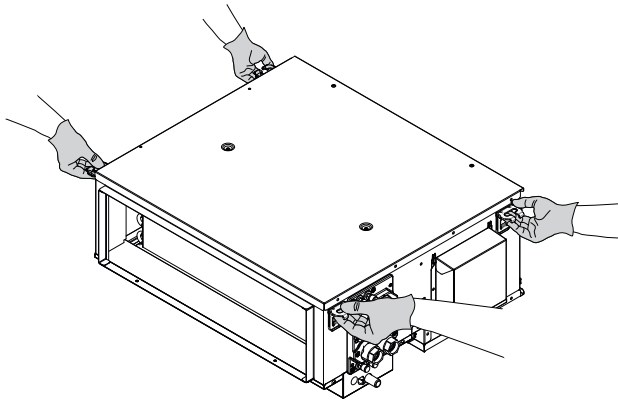
Şu hususları dikkate alın:

- Teslim sırasında, ünite hasar ve eksiklik olup olmadığı kontrol EDİLMELİDİR. Tespit edilen hasarlar veya eksik parçalar derhal taşımacının hasar servis yetkilisine rapor EDİLMELİDİR.
- Taşıma sırasındaki hasara mani olmak için üniteyi mümkün olduğunca nihai montaj konumuna getirene kadar ambalajından çıkarmayın.
- Üniteyi nihai kurulum konumuna getirirken izlemek istediğiniz yolu önceden hazırlayın.

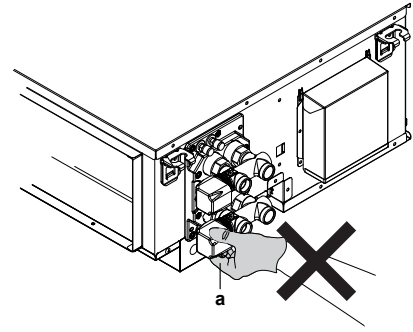
3.1 Fan coil ünitesini ambalajından çıkarmak ve taşımak için

Üniteyi kaldırırken yumuşak malzemeden sapan veya bir halatla birlikte koruyucu levhalar kullanın. Bunun amacı ünitenin zarar görmemesi veya çizilmemesidir.

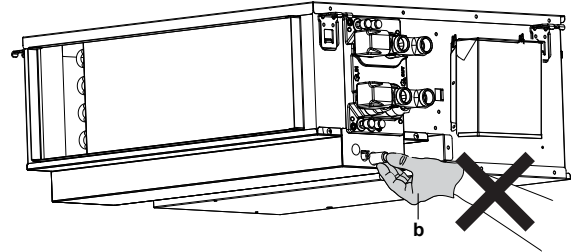
- 1 Üniteyi diğer parçalar üzerine, özellikle de drenaj boruları ve ısı yalıtımı üzerine baskı uygulamadan askı demirinden tutarak kaldırın.

**DİKKAT**

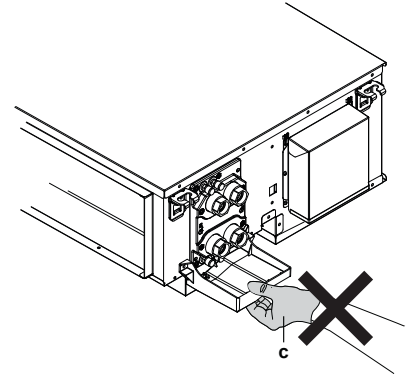
Üniteyi vana aktüatörlerinden (a) KALDIRMAYIN.

**DİKKAT**

Üniteyi drenaj tavası soketinden (b) KALDIRMAYIN.

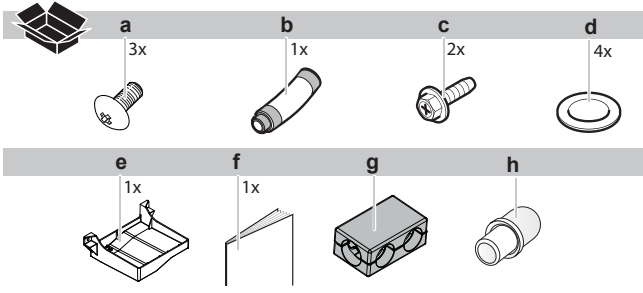
**DİKKAT**

Alt drenaj tavaşından (c) KALDIRMAYIN.



4 Üniteler ve seçenekler hakkında

3.2 Fan coil ünitesinden aksesuarları çıkarmak için



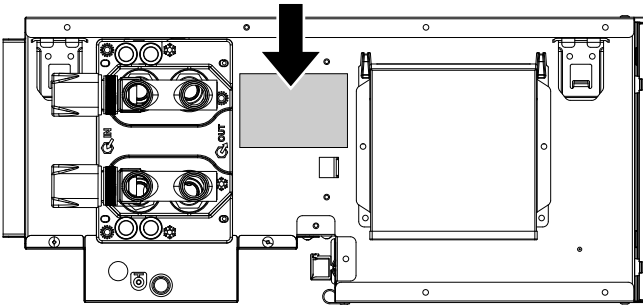
- a Alt drenaj tavası 2x ve drenaj hortumu 1x için M4 vida
b Drenaj hortumu
c FWEC SAP için 2x M5 vida
d Conta
e Alt drenaj tavası
f Montaj ve kullanım kılavuzu
g Vanalar için ısı yalıtımı (2 boru: 1x ve 4 boru: 2x) (*)
h Havşa kapağı
* Yalnızca fabrikada monte vanası olan modeller

4 Üniteler ve seçenekler hakkında

4.1 Tanım

4.1.1 Tanıtma etiketi: Fan coil ünitesi

Konum



Model tanımlaması

Örnek: FW E 04 F A T N 5 V3 --

Kod	Tanım
FW	Su fan coil ünitesi
E	Kanal Düşük ESP
F	Büyük model serisi
A	Küçük model değişikliği
T	2 boru
F	4 boru
N	Vanasız
V	3 yollu vana (ON/OFF - 230 V)
T	2 yollu vana (ON/OFF - 230 V)
5	Hendek fabrikası
V1	1 Ph / 50 Hz / 220-240 V
-	Opsiyon yok
-	Sol taraf su, sol taraf elektrik bağlantısı
R	Sağ taraf su, sağ taraf elektrik bağlantısı

5 Ünite montajı

5.1 Montaj sahasının hazırlanması



UYARI

HER ZAMAN yanıcı olmayan kanallar, ısı yalıtımları ve bağlantı elemanları kullanın; yanıcı malzemeler yangına neden olabilir.



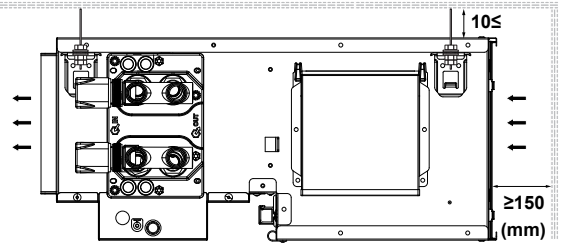
DİKKAT

Ünite zeminden itibaren $\geq 2,5$ m'ye monte edilmelidir.



DİKKAT

Tavan ile ünite arasındaki boşluk ≥ 10 mm ve emme açıklığı ≥ 150 mm olmalıdır.



BİLGİ

Ses basıncı seviyesi 70 dBA'dan azdır.



İKAZ

Cihaz genel halkın erişimine açık DEĞİLDİR. Kolay erişime karşı korunan, güvenli bir alana monte edin.

Bu ünite ticari ve hafif endüstriyel ortamda montaj için uygundur.



DİKKAT

Çok yüksek tavanlar gibi, alttan montajın mümkün OLMADIĞI durumlarda, montaj ve servis için üniteye tavanın üstünden erişilmesi mümkün olmalıdır.

Aşağıdaki koşulların yerine getirildiği ve müşteri onayınızı karşılayan bir montaj sahası seçin.

- Cihaz etrafındaki boşluk, bakım ve servis çalışmaları için yeterli olmalıdır. Ünite etrafındaki alan yeterli hava sirkülasyonu ve hava dağılımı için elverişli olmalıdır. Bkz. montaj için gerekli alan.
- İlgili alanın iyi havalandırıldığından emin olun. Havalandırma açıklıklarını KAPATMAYIN.
- Montaj sahasının ünitenin ağırlığına ve titreşimine dayanabileceğinden emin olun.
- Bir su kaçağı durumunda, suyun montaj mahalli ve çevresinde herhangi bir zarara yol açmamasına dikkat edilmelidir.
- Çalışma sesinin veya ünitiden çıkan sıcak/soğuk havanın kimseyi rahatsız etmeyeceği bir yer seçin; konum geçerli mevzuata uygun seçilmelidir.
- Drenaj.** Yoğuşma suyunun doğru şekilde boşaltılabildiğinden emin olun.
- Zayıf alış bölgelerinde diğer ekipmanların elektromanyetik bozan etkeninden kaçınmak için 3 m veya daha fazla mesafe bırakın bunun yanısıra güç ve iletim hatları için kablo boruları kullanın.

- **Flüoresan lambalar.** Floresan lambalar bulunan bir odaya kablosuz uzaktan kumanda (kullanıcı arabirimi) kurulurken, girişimi önlemek için aşağıdakilere dikkat edin:
 - Kablosuz uzaktan kumandayı (kullanıcı arabirimi) iç üniteye olabildiğince yakın kurun.
 - İç üniteyi flüoresan lambalardan mümkün olduğunca uzağa kurun.

Üniteyi genelde çalışma yeri olarak kullanılan yerlere monte ETMEYİN. Çok miktarda toz oluşan inşaat işleri (örneğin, öğütme işleri) söz konusu olduğunda, ünitenin üzeri ÖRTÜLMELİDİR.

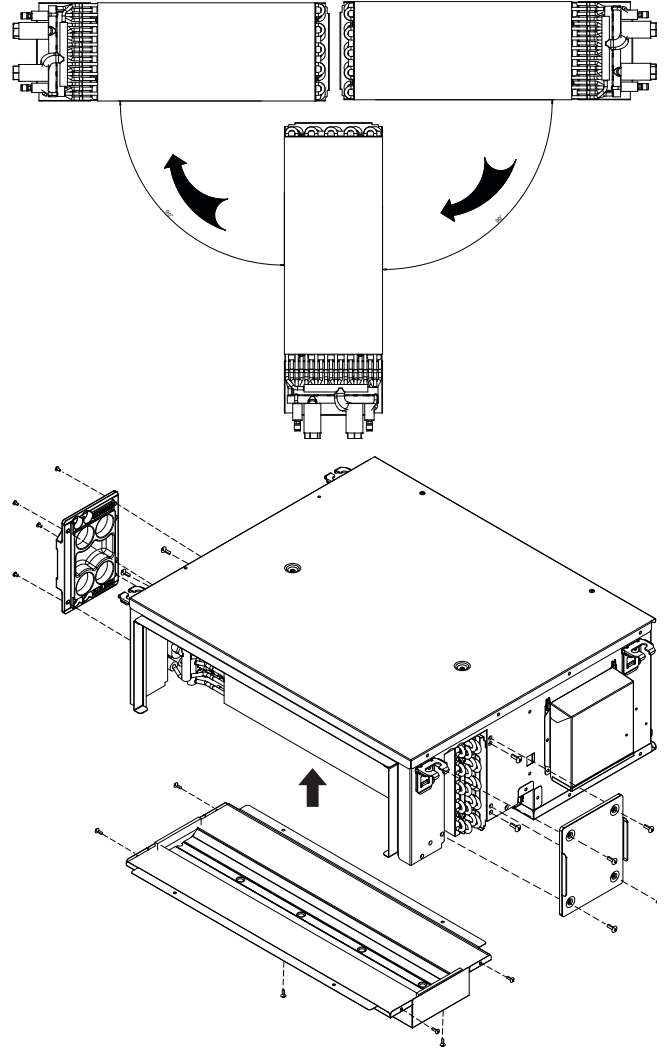
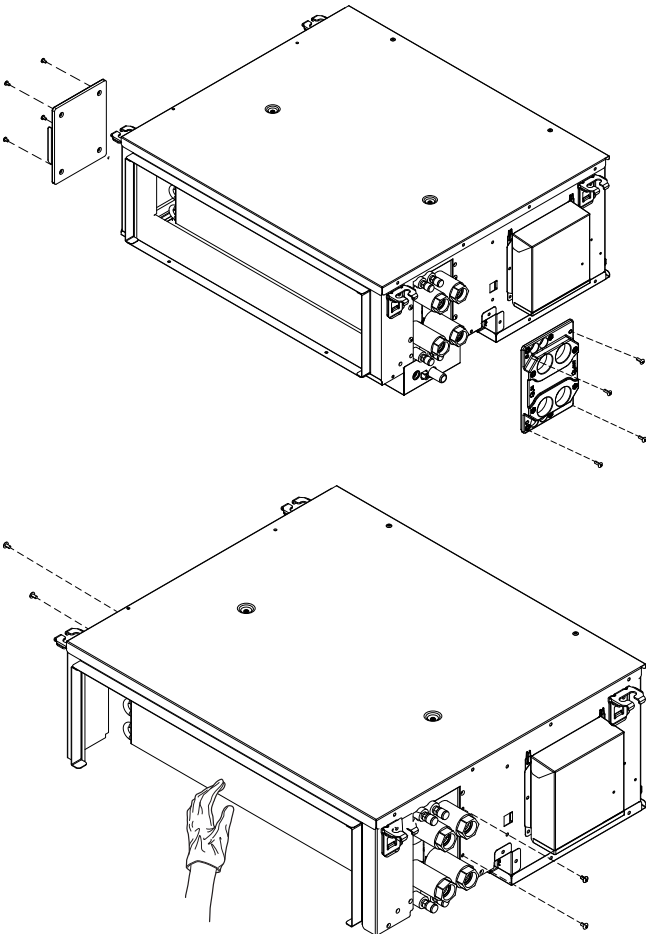
Üniteyi aşağıda belirtilen odalara monte etmeyin veya bu tür odalarda kullanmayın.

- Mutfak gibi, mineral yağ bulunan yerler veya havada yağ buharı yada spreyi bulunan yerler (plastik parçalar bozulabilir).
- Sülfür gazı gibi aşındırıcı gazların bulunduğu yerler. Bakır borular ve sert lehimli noktalar korozyona uğrayabilir.
- Sahil yakınındaki gibi havanın yüksek seviyede tuz içerdiği yerler ve voltaj dalgalanmalarının yüksek olduğu (fabrikalar gibi) yerler. Ayrıca araçlar veya gemiler.
- Elektromanyetik dalgalar yayan makinelerin bulunduğu ortamlar. Elektromanyetik dalgalar kontrol sistemini etkileyebilir ve ekipmanın arıza yapmasına neden olabilir.
- Tutuşabilir gaz (örneğin; tiner veya gazolin) kaçaqları, karbon fiberi, tutuşabilir tozlar nedeniyle yangın riski bulunan ortamlar.
- Ünite banyoya monte EDİLMEMELİDİR.

5.2 Değiştirilebilirlik

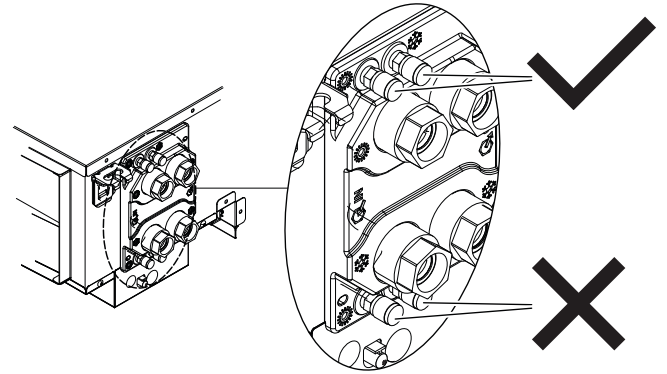
Ürünün yönü yerde değiştirilmelidir.

Ünitenin yan levhasındaki kapak sacını çıkarın.



DİKKAT

Mutlaka üst hava tahliyesi kullanın.

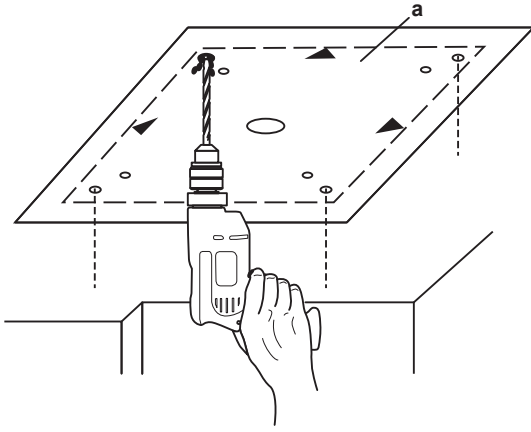


5.3 Ünitenin montajı

5.3.1 Askı civatalarını monte etmek için

Askı civata konumlarını belirlemek için şablon kullanın (ambalajın üst kısmı). Askı civatası konumları kağıt şablon üzerinde gösterilmektedir. Kağıt şablon tavana yerleştirilerek delikler açılabilir.

5 Ünite montajı

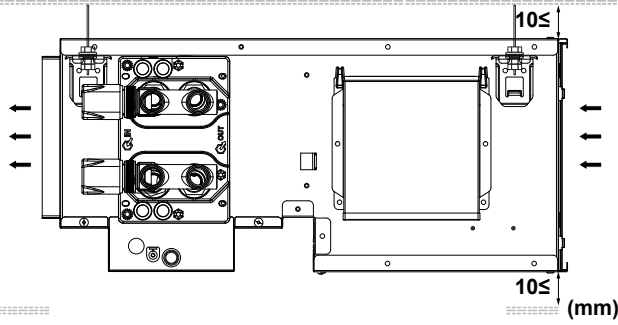


a Montaj şablonu kağıdı. (ambalajın üst kısmı)

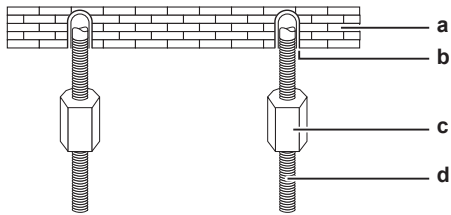
5.3.2 Üniteyi monte etmek için

Montaj için gerekli olan tavan açıklığını uygun bir yere açın. Tavan düzlüğünün korunması ve olası titreşimlerin önlenmesi için asma tavan iskeletinin güçlendirilmesi gerekebilir.

Ayrıntılı bilgi için binanın müteahhidine danışın.

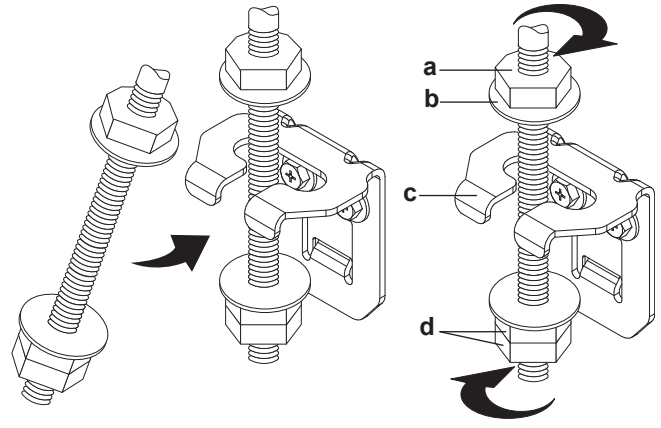


- **Tavan mukavemeti.** Tavanın ünite ağırlığını destekleyecek kadar güçlü olup olmadığını kontrol edin. Herhangi bir risk varsa, üniteyi monte etmeden önce tavanı güçlendirin.
- Mevcut tavanlar için ankrajlar kullanın.
- Yeni tavanlar için gömülü vidalama parçası, gömülü dübel ya da sahadan temin edilen başka parçalar kullanın.



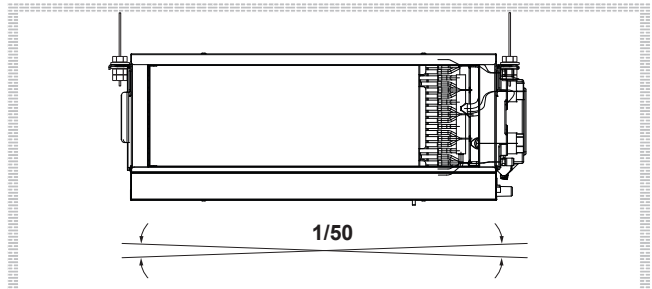
- a Tavan tabliyesi
- b Dübel
- c Uzun somun veya gerdirme donatısı
- d Askı civatası

- **Askı civataları.** Montaj için M8~M10 askı civataları kullanın. Askı mesnedini askı civatasına geçirin. Bir pul ve somun kullanarak askı mesnedinin altından ve üstünden sıkı bir şekilde tespit edin.

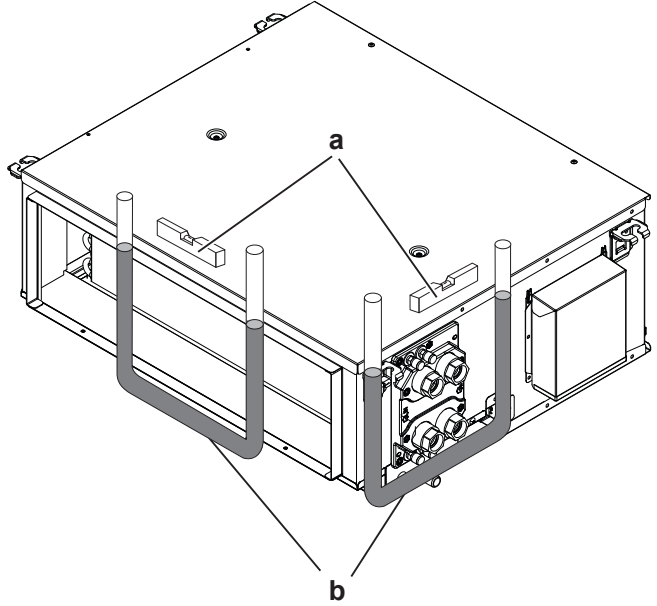


- a Somun (sahadan temin edilir)
- b Pul (sahadan temin edilir)
- c Askı mesnedi
- d Çift somun (sahadan temin edilir)

- Cihazı montaj için doğru konuma getirin.



- Cihazın yatay olarak düz olup olmadığını kontrol edin.
- **Seviye.** Düzceç veya içi su doldurulmuş bir vinil tüp kullanarak ünitenin 4 köşesinde de düz seviyede olduğundan emin olun.



- a Seviye
- b Vinil boru



DİKKAT

Üniteyi eğik monte ETMEYİN. **Olası sonuç:** Ünite yoğuşma akışına karşı yatırılırsa (drenaj borusu tarafı yükseltirse), su damlaması olabilir.

5.4 Su borularının montajı

5.4.1 Su borularının hazırlanması

Su borularıyla ilgili çalışmaya geçmeden önce, şu hususları kontrol edin:

- Maksimum su basıncı 1,6 MPa'dır.
- Üniteye su devresine bağlantı için bir su girişi ile bir su çıkışı bulunur. Su devresi mutlaka montaj ekibi tarafından sağlanmalı ve mutlaka ilgili mevzuata uygun olmalıdır.
- Minimum su sıcaklığı 5°C'dir.
- Maksimum su sıcaklığı 90°C'dir.
- Saha borularına su basıncına ve sıcaklığına dayanabilecek bileşenlerin monte edildiğinden emin olun.
- Su basıncının hiçbir zaman izin verilen en yüksek çalışma basıncını geçmediğinden emin olmak için su devresinde yeterli korumaları sağlayın.
- Suyun elektrikli parçalarla temas etmesini önlemek için basınç tahliye vanasına (takılıysa) uygun bir tahliye sistemi sağlayın.
- Normal servis işlemlerinin, sistem boşaltılmadan gerçekleştirilebilmesi için cihaza kesme vanaları monte edin.
- Cihazın bakımı veya servisi sırasında devrenin tamamen boşaltılabilmesi için sistemde düşük kotlardaki her noktaya tahliye muslukları yerleştirin.
- Sistemdeki yüksek kotlardaki her noktaya ise hava alma vanaları yerleştirin. Vanalar, servis çalışmaları için kolayca erişilebilecek noktalara monte edilmelidir.
- Boru tesisatı fiziksel hasarlardan korunacaktır.



DİKKAT

Su kalitesinin 2020/2184 sayılı AB direktifine uygun olduğundan emin olun.



DİKKAT

Glikol kullanımına izin verilir, ancak miktarı hacmin %40'ını AŞMAMALIDIR. Daha yüksek miktardaki glikol, hidrolik elemanlara zarar verebilir.

5.4.2 Su borularının bağlanması



İKAZ

Üniteye su sirkülasyonunu kontrol etmek için her zaman vanalar kullanın. Fan coil ünitesi olduğu halde su üniteye dolaşmaya devam ediyorsa, üniteye yoğuşma oluşur ve su damlayabilir.



DİKKAT

Boruları bağlarken kesinlikle aşırı kuvvet uygulamayın. Aksi takdirde, cihaz boruları hasar görebilir. Borulardaki deformasyon ünitenin arıza yapmasına yol açabilir.

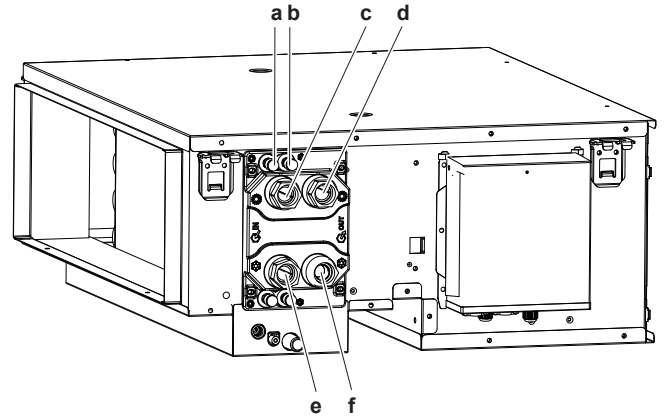


DİKKAT

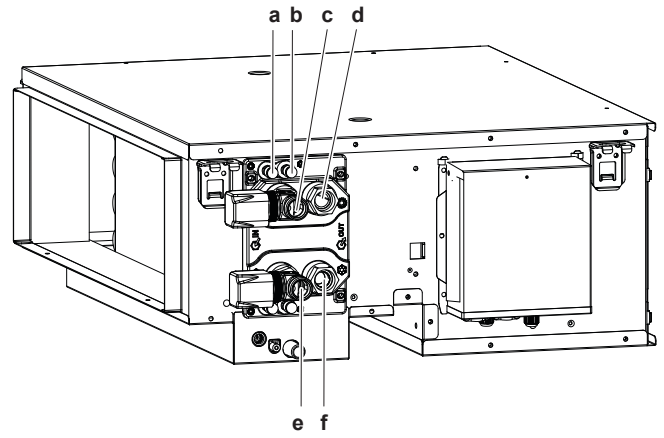
Tüm boruları yalıtmayı ihmal etmeyin. Açıkta kalan borular yoğuşmaya neden olabilir.



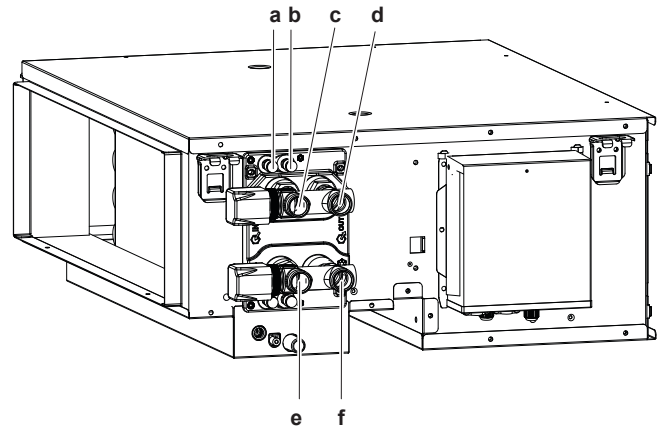
TEHLİKE: YANMA/HAŞLANMA RİSKİ



- a Isıtma hava tahliyesi
- b Soğutma hava tahliyesi
- c Sıcak su girişi (3/4" dişi BSP)
- d Sıcak su çıkışı (3/4" dişi BSP)
- e Soğutma girişi (3/4" dişi BSP)
- f Soğutma çıkışı (3/4" dişi BSP)

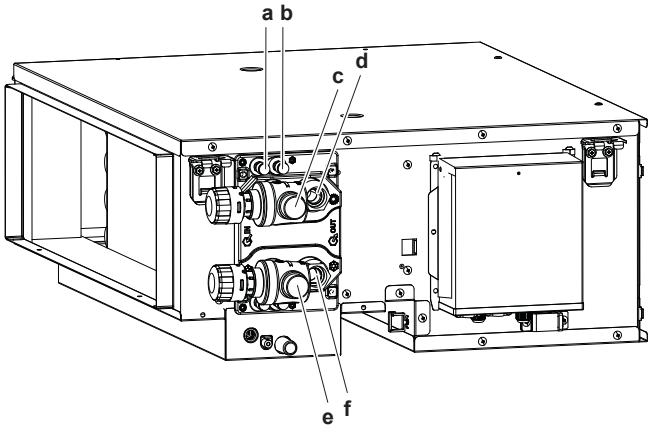


- a Isıtma hava tahliyesi
- b Soğutma hava tahliyesi
- c Sıcak su girişi (DN3/4")
- d Sıcak su çıkışı (3/4" dişi BSP)
- e Soğutma girişi (DN3/4")
- f Soğutma çıkışı (3/4" dişi BSP)

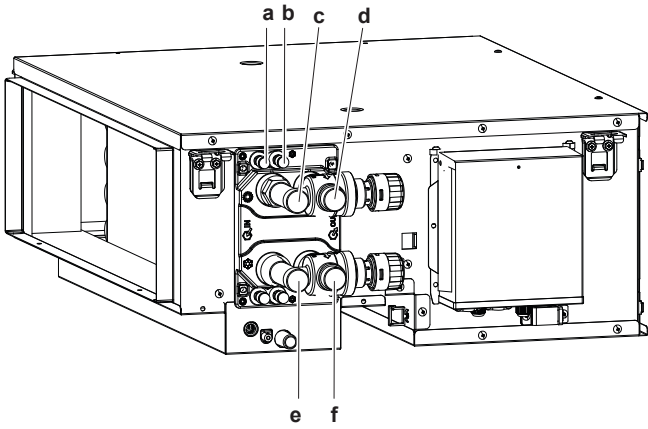


- a Soğutma hava tahliyesi
- b Isıtma hava tahliyesi
- c Sıcak su girişi (DN3/4")
- d Sıcak su çıkışı (DN3/4")
- e Soğuk su girişi (DN3/4")
- f Soğuk su çıkışı (DN3/4")

5 Ünite montajı

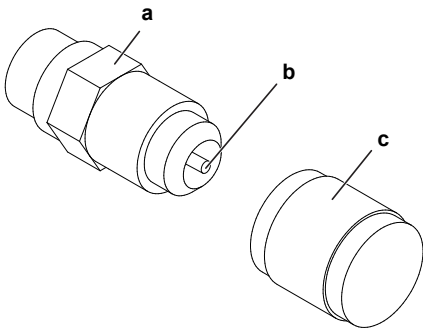


- a Isıtma hava tahliyesi
- b Soğutma hava tahliyesi
- c Sıcak su girişi (DN3/4")
- d Sıcak su çıkışı (3/4" dişi BSP)
- e Soğutma girişi (DN3/4")
- f Soğutma çıkışı (3/4" dişi BSP)



- a Isıtma hava tahliyesi
- b Soğutma hava tahliyesi
- c Sıcak su girişi (DN3/4")
- d Sıcak su çıkışı (DN3/4")
- e Soğuk su girişi (DN3/4")
- f Soğuk su çıkışı (DN3/4")

Su devresini doldurmak için



- a Hava tahliyesi
- b Basınç boşaltma valfi
- c Başlık

Doldurma sırasında sistemdeki tüm havanın çıkarılması mümkün olmayabilir. Kalan hava, ünitenin ilk çalışma saatleri esnasında çıkarılabilir. Hava, manuel hava tahliye vanası aracılığıyla çıkarılabilir.

- 1 Başlığı açın.
- 2 Ünite su devrelerindeki havayı boşaltmak için basınç boşaltma vanasına basın.
- 3 Başlığı kapatın.
- 4 Bu işlemin ardından, su eklenmesi gerekebilir (ancak, su kesinlikle hava alma vanasından eklenmemelidir).



DİKKAT

Su devresindeki hava arızaya neden olabilir. Doldurma sırasında, devredeki tüm havanın boşaltılması mümkün olmayabilir. Kalan hava, sistemin ilk çalışma saatleri esnasında otomatik hava tahliyesi vanalarından boşaltılacaktır. Daha sonra su ilave edilmesi gerekebilir.



DİKKAT

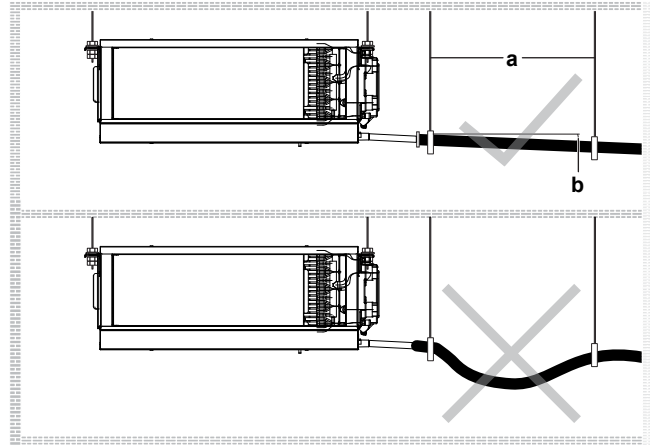
Su kalitesinin 2020/2184 sayılı AB direktifine uygun olduğundan emin olun.

5.5 Drenaj borularının montajı

5.5.1 Drenaj borusu montajı sırasında uyulacak esaslar

Genel esaslar

- **Boru uzunluğu.** Drenaj borusunu mümkün olduğunca kısa tutun.
- **Boru ebadı.** Boru ölçüsünü bağlantı borusunun ölçüsü (25 mm nominal çap ve 32 mm dış çapında vinil boru) ile aynı veya ondan daha büyük tutun.
- **Yoğuşma.** Yoğuşmaya karşı önlemleri alın. Bina içindeki tüm drenaj borularını yalıtın.
- **Eğim.** Havanın boruların içinde hapsolmemesi için drenaj borusunun aşağı doğru eğimli (en az 1/50) olmasını sağlayın. Gösterildiği gibi askı çubukları kullanın.



- a Askı demiri
✓ İzin verilir
- b Askı demiri
✗ İzin verilmez

5.5.2 Drenaj borularının bağlanması

Drenaj borularını bağlamak için

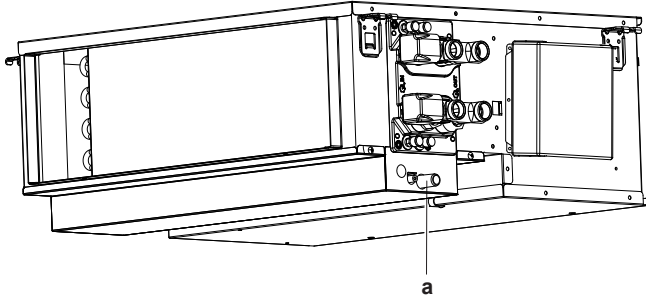


DİKKAT

Drenaj hortumunun hatalı bağlantısı kaçaqlara ve montaj alanı ile çevresinde hasara neden olabilir.

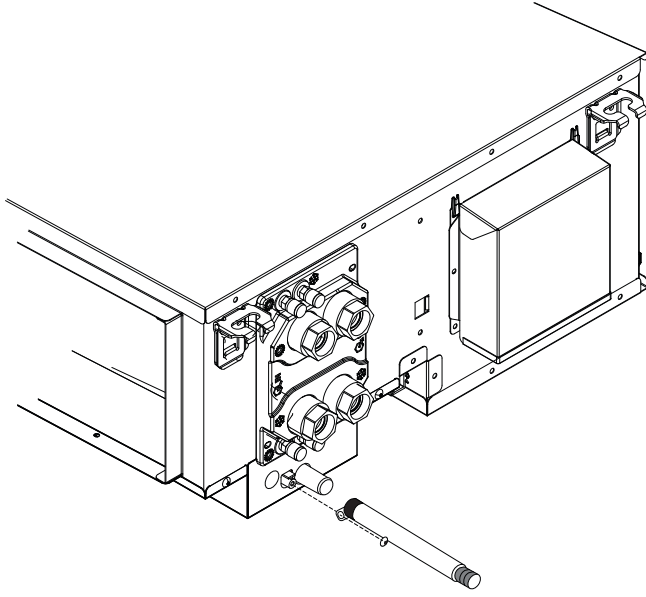
- 1 Drenaj hortumunu drenaj soketine gidebildiği kadar sokun.

- 2 Tavanın yüzeyini temizlemek için drenaj hortumundaki vidayı sıkın.
- 3 Su kaçağı olup olmadığını kontrol edin.



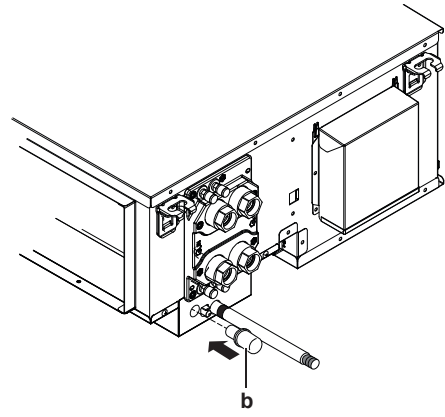
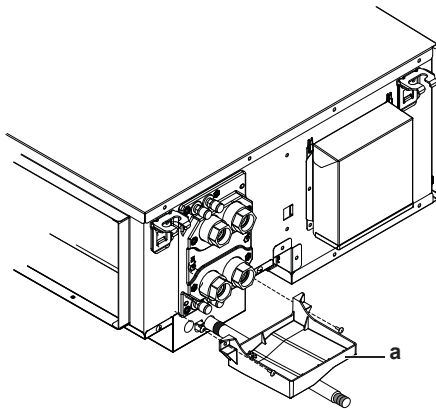
a Drenaj soketi

- 4 Drenaj hortumunu takın ve tespit vidasıyla sıkın (aksesuar seti).



DİKKAT

Ünite bir drenaj hortumuyla kullanılmalıdır (Bunu sıkmanın unutulması su kaçaqlarına ve titreşimlere neden olabilir.)

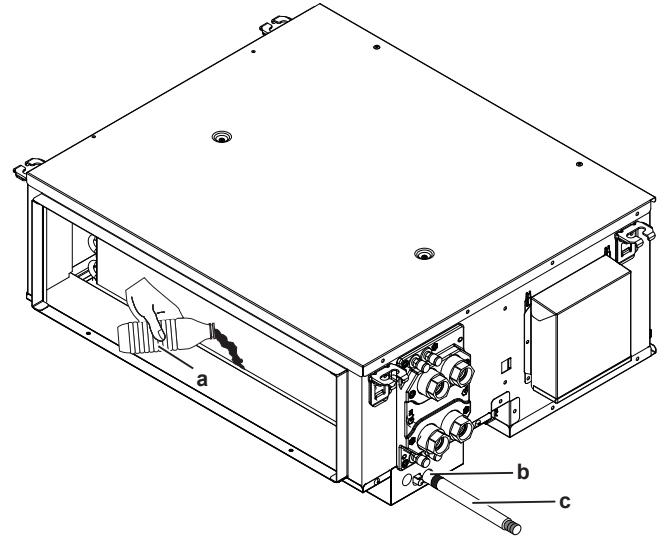


DİKKAT

Alt drenaj tavasının (a) kullanılmaması durumunda, alt drenaj tavası deliği bir kapakla (b) kapatılmalıdır.

Elektrik kablo bağlantıları önceden bitmişse

- 1 Soğutma işletimini başlatın.
- 2 Hava boşaltma çıkışından yavaş yavaş yaklaşık 1 l su dökün ve kaçaqları kontrol edin.



- a Plastik su koyma kabı
- b Drenaj çıkışı (drenaj tavasından su tahliye etmek için bu deliği kullanın)
- c Drenaj hortumu

5.6 Opsiyonel cihazların montajı

5.6.1 Opsiyonel cihazların hazırlanması



BİLGİ

İsteğe bağlı ekipmanlar. Opsiyonel ekipmanları monte ederken, opsiyonel ekipmanın montaj kılavuzunu da okuyun. Saha koşullarına bağlı olarak, ilk önce opsiyonel ekipmanı monte etmek daha kolay olabilir.

Opsiyonel cihazlar	Kimlik kodu
G2 filtresi	EKAF02G5A
	EKAF03G5A
2 yollu vana- ON/OFF (AC 230 V)	EK02WV2V3W5A
	EK04WV2V3C5A
	EK06WV2V3C5A

6 Elektrikli bileşenler


Opsiyonel cihazlar	Kimlik kodu
3 yollu vana- ON/OFF (AC 230 V)	EK02WV3V3W5A
	EK04WV3V3C5A
	EK06WV3V3C5A
Oransal vana (AC 24 V) 3 yollu – 4 portlu vana	EK02P3V24W5A
	EK04P3V24C5A
	EK06P3V24C5A
Uzaktan kumanda	FWEC3A
Uzaktan kumanda (2 boru için)	FWEC2T
Uzaktan kumanda (4 boru için)	FWEC4T
Uzaktan kumanda (panel kontrol kartı)	FWEC3AP
Uzaktan kumanda	FWEC3AC
Uzaktan kumanda	FWTOUCHW
	FWTOUCHB
	FWTOUCHG
Vana kablo kiti	EKER015A


5.6.2 Opsiyonel ekipmanın bağlanması


Vanaların teknik özellikleri


Kvs değeri	Maks. çalışma basıncı (bar)	Aktüatör güç kaynağı
2,8	16	1 Ph, 230 V, 50-60 Hz
4		
6		

6 Elektrikli bileşenler


 **TEHLİKE: ELEKTRİK ÇARPMASI SONUCU ÖLÜM RİSKİ**


 **UYARI**
Güç besleme kabloları için HER ZAMAN çok damarlı kablo kullanın.


 **UYARI**
Aşırı gerilim kategorisi III altında tam ayırma sağlayan, temas noktası boşlukları arasında en az 3 mm olan tüm kutuplardan bağlantı kesen tipte bir kesici kullanın.

 **UYARI**
Besleme kablosu zarar görürse tehlikeye meydan vermemek için imalatçı, onun servis temsilcisi veya benzer kalifiye bir personel tarafından DEĞİŞTİRİLMELİDİR.

6.1 Elektrik kablolarının hazırlanması

 **UYARI**
Tüm saha kabloları ve bileşenleri mutlaka lisanslı bir elektrik teknisyeni tarafından TAKILMALI ve mutlaka ilgili mevzuata uygun OLMALIDIR.

 **TEHLİKE: ELEKTRİK ÇARPMASI SONUCU ÖLÜM RİSKİ**

 **UYARI**
Döşenen kablo tesisatında ilgili mevzuata uygun olarak tüm kutuplarda kontak ayırmasına sahip bir ana şalter veya ayırma için başka bir yöntem dahil EDİLMELİDİR.



İKAZ

- Güç beslemesini bağlarken: Akım taşıyan bağlantıları yapmadan önce, ilk olarak toprak kablosunu bağlayın.
- Güç beslemesinin bağlantısını keserken: Toprak bağlantısını ayırmadan önce, ilk olarak akım taşıyan kabloların bağlantısını kesin.
- Güç beslemesi gerilim azaltma ile terminal bloğunun kendisi arasındaki iletkenlerin uzunluğu, güç beslemesinin gerilim azaltmadan ayrılması olasılığına karşı, toprak telinden önce akım taşıyan teller gerdirilmiş gibi OLMALIDIR.



UYARI

- Elektrik işi tamamlandıktan sonra, her bir elektrikli bileşenin ve anahtar kutusu içindeki terminalin sıkıca bağlandığını doğrulayın.
- Ünite çalıştırılmaya başlamadan önce tüm kapakların kapatıldığından emin olun.



UYARI

Kullanılan ekipman için izin verilen voltajı ve akımı GEÇMEMESİNİ sağlamadan devreye herhangi bir kalıcı endüktif veya kapasitif yük UYGULAMAYIN.



DİKKAT

Bu kılavuzda tanımlanan ekipman, radyo frekans enerjisinden üretilen elektronik gürültüye neden olabilir. Ekipman, bu tür girişime karşı yeterli koruma sağlamak üzere tasarlanmış olan spesifikasyonlara uymaktadır. Bununla birlikte, belirli bir montajda girişim oluşmayacağı garanti edilemez.

Bu nedenle ekipmanın ve elektrik kablolarının müzik setlerinden, kişisel bilgisayarlardan, vs. uygun mesafeyi koruyacak şekilde uzakta monte edilmesi önerilir.



TEHLİKE: ELEKTRİK ÇARPMASI SONUCU ÖLÜM RİSKİ

- Elektrik kablosunu bağlarken veya elektrikli parçalara temas ederken fan koil ünitesi terminal kapağını çıkarmadan önce tüm güç beslemelerini KAPALI konuma getirin.
- Servis işlemine başlamadan önce, güç beslemesini 10 dakikadan daha uzun bir süre kesin ve ana devre kapasitörlerinin veya elektrikli bileşenlerin terminalleri arasındaki gerilimi ölçün. Elektrikli bileşenlere dokunulabilmesi için, gerilimin MUTLAKA 50 V DC değerinin altında olması gerekir. Terminallerin konumları için kablo şemasına bakın.
- Ellerinizi ıslakken, KESİNLİKLE elektrikli bileşenlere dokunmayın.
- Terminal kapağı çıkarıldığında, ünitenin başından AYRILMAYIN.

**UYARI**

- YALNIZCA bakır teller kullanın.
- Saha kablo tesisatının ilgili mevzuata uygun olduğundan emin olun.
- Tüm saha kabloları MUTLAKA ürünle verilen kablo şemalarına uygun olarak bağlanmalıdır.
- Kablo demetlerini KESİNLİKLE sıkmayın ve kabloların, borulara ve keskin kenarlara temas ETMEDİĞİNDEN emin olun. Terminal bağlantılarına dışarıdan baskı uygulanmadığından emin olun.
- Topraklama kablosunun takıldığından emin olun. Üniteyi KESİNLİKLE bir şebeke borusuna, darbe emicisine veya telefon topraklamasına topraklamayın. Kusurlu topraklama, elektrik çarpmasına neden olabilir.
- Gerekli sigortaların ve devre kesicilerin takıldığından emin olun.
- Bir toprak kaçağı kesicisinin takıldığından emin olun. Bunun yapılmaması elektrik çarpmasına veya yangına neden olabilir.

6-1 Alan kablosu teknik özellikleri

	2 Boru									
	04	05	06	08	10	12	14	16	20	24
Maksimum çalışma akımı (A)	0,27	0,27	0,38	0,44	0,48	0,53	0,81	0,88	0,88	1,06
Vanalar ile maksimum çalışma akımı (A)FN	0,34	0,34	0,45	0,51	0,55	0,60	0,88	0,95	0,95	1,13
Önerilen aşırı akım sigortası (A)	5									
Faz	1									
Frekans (Hz)	50									
Gerilim (V)	220~240									
Gerilim toleransı (%)	±10									
Kablo boyutu (çapraz kesit mm ²)	0,75~1,25									
Toprak kaçağı devre kesicisi	İlgili mevzuata uygun olmalıdır									

6-2 Alan kablosu teknik özellikleri

	4 Boru									
	04	05	06	08	10	12	14	16	20	24
Maksimum çalışma akımı (A)	0,26	0,26	0,37	0,43	0,50	0,56	0,79	0,87	0,83	1,04
Vanalar ile maksimum çalışma akımı (A)FN	0,33	0,33	0,44	0,50	0,57	0,63	0,86	0,94	0,90	1,11
Önerilen aşırı akım sigortası (A)	5									
Faz	1									
Frekans (Hz)	50									
Gerilim (V)	220~240									
Gerilim toleransı (%)	±10									
Kablo boyutu (çapraz kesit mm ²)	0,75~1,25									
Toprak kaçağı devre kesicisi	İlgili mevzuata uygun olmalıdır									

6.2 Elektrik kablolarının bağlanması**TEHLİKE: ELEKTRİK ÇARPMASI SONUCU ÖLÜM RİSKİ****UYARI**

Güç besleme kabloları için HER ZAMAN çok damarlı kablo kullanın.

**UYARI**

Aşırı gerilim kategorisi III altında tam ayırma sağlayan, temas noktası boşlukları arasında en az 3 mm olan tüm kutuplardan bağlantı kesen tipte bir kesici kullanın.

**UYARI**

Besleme kablosu zarar görürse tehlikeye meydan vermemek için imalatçı, onun servis temsilcisi veya benzer kalifiye bir personel tarafından DEĞİŞTİRİLMELİDİR.

7 İşletmeye alma

! DİKKAT

Güç kabloları döşenirken alınması gereken önlemler:



- Güç terminal bloğuna farklı kalınlıktaki kablolar BAĞLAMAYIN (güç kablolarındaki gevşeklikler anormal ısınmaya neden olabilir).
- Aynı kalınlıktaki kabloları bağlarken, yukarıdaki şekilde gösterildiği gibi yapın.
- Kablolama için, belirtilen güç kablolarını kullanın ve bu kabloları sağlam şekilde bağlayın ve ardından terminal kartına harici basınç uygulanmasını önlemek için sabitleyin.
- Terminal vidalarını sıkmak için uygun bir tornavida kullanın. Küçük başlı bir tornavida, vida başına zarar verebilir ve vidanın doğru şekilde sıkılmasını engelleyebilir.
- Terminal vidaları aşırı sıkılırsa kırılabilir.

! DİKKAT

- Kablo şemasını (üniteyle birlikte verilir, servis kapağının iç kısmında bulunur) takip edin.
- Opsiyonel ekipman bağlantısı hakkındaki talimatlar için opsiyonel ekipman ile birlikte verilen montaj kılavuzuna bakın.
- Elektrik kablolarının servis kapağının yerine düzgün takılmasına mani OLMADIĞINDAN emin olun.

Güç besleme ve iletim kablolarının birbirlerinden ayrı tutulması önemlidir. Olabilecek elektrik girişimlerini önlemek için her iki kablolama arasındaki mesafenin DAİMA en az 50 mm olması gerekir.

! DİKKAT

Güç hattı ve iletim hattını mutlaka birbirlerinden ayrı tutun. İletim kabloları ve güç besleme kabloları kesişebilir, ancak paralel GİDEMEZ.

7 İşletmeye alma

! DİKKAT

Test çalıştırmasını KESMEYİN.

7.1 İşletmeye alma öncesi kontrol listesi

- 1 Ünitenin montajından sonra, aşağıda listelenen öğeleri kontrol edin.
- 2 Üniteyi kapatın.
- 3 Üniteye enerji verin.

<input type="checkbox"/>	Montör başvuru kılavuzunda açıklandığı şekilde, tüm montaj talimatlarını okuyun.
<input type="checkbox"/>	İç üniteler doğru şekilde monte edilmelidir.
<input type="checkbox"/>	EKSİK faz veya ters faz olmamalıdır.
<input type="checkbox"/>	Sistem düzgün şekilde topraklanmalı ve toprak terminaleri sıkılmalıdır.
<input type="checkbox"/>	Sigortalar veya yerel olarak takılan koruma cihazları bu kılavuza uygun olmalıdır ve baypas EDİLMEMELİDİR.
<input type="checkbox"/>	Güç besleme gerilimi , ünite tanıma etiketi üzerindeki gerilime uymalıdır.
<input type="checkbox"/>	Anahtar kutusunda KESİNLİKLE gevşek bağlantı veya hasarlı elektrik bileşeni bulunmamalıdır.
<input type="checkbox"/>	İç ve dış ünitelerin içerisinde KESİNLİKLE hasarlı bileşen veya sıkışmış borular bulunmamalıdır.
<input type="checkbox"/>	Doğru boyutta borular döşenmeli ve borular doğru şekilde yalıtılmalıdır.

Kullanıcı için

8 Kullanıcı güvenlik talimatları

Her zaman aşağıdaki güvenlik talimatlarına ve yönetmeliklerine uyun.

8.1 Güvenli işletim için talimatlar

! İKAZ

Hava girişine veya çıkışına parmak, çubuk veya başka cisimler SOKMAYIN. Fan yüksek devirde döndüğünde yaralanmaya neden olur.

! İKAZ

İKAZ: Fana dikkat edin!

Fan çalışırken üniteye inceleme yapılması tehlikelidir.

Herhangi bir bakım görevini yerine getirmeden önce ana şalteri KAPATTIĞINIZDAN emin olun.

! İKAZ

İKAZ

Uzun süre kullanımdan sonra ünite standı ve bağlantısında hasar kontrolü gerçekleştirin. Hasarlı ise, ünite düşebilir ve yaralanmaya yol açabilir.

! İKAZ

İKAZ

Vücudunuzu uzun süre hava akımına maruz bırakmak sağlığa zararlıdır.

**İKAZ**

Kumandanın dahili parçalarına KESİNLİKLE dokunmayın.

**TEHLİKE: ELEKTRİK ÇARPMASI SONUCU ÖLÜM RİSKİ**

Klimayı veya hava filtresini temizlemek için çalışmayı durdurduğunuzdan ve tüm güç beslemelerini kapattığınızdan emin olun. Aksi takdirde elektrik çarpması ve yaralanma meydana gelebilir.

**UYARI**

Gerekli havalandırma açıklıklarında engeller bulunmamasını sağlayın.

**UYARI**

İşletimi durdurun ve beklenmedik herhangi bir şey olursa (yanık kokusu, vs.) gücü KAPATIN.

Böyle durumlarda üniteyi çalışır durumda bırakmak kırılmaya, elektrik çarpmasına veya yangına yol açabilir. Satıcınıza başvurun.

**UYARI**

Swing kapağı çalışırken hava çıkışı veya yatay bıçaklara ASLA dokunmayın. Parmaklar kısırılabilir veya ünite bozulabilir.

**UYARI**

Tutuşabilir bir sprej şişesini klimanın yakınına KOYMAYIN ve ünitenin yakınında sprej KULLANMAYIN. Bunun yapılması bir yangına yol açabilir.

**UYARI**

Üniteyi çalıştırmadan önce, montajın bir montajcı tarafından doğru bir şekilde gerçekleştirildiğinden emin olun.

**UYARI**

Cihaz, mekanik hasarı önleyecek şekilde ve sürekli çalışan tutuşma kaynakları (örneğin, açık alevler, çalışan gazlı cihaz veya çalışmakta olan elektrikli ısıtıcı) bulunmayan iyi havalandırılan bir odada saklanmalıdır. Odanın büyüklüğü Genel güvenlik önlemlerinde belirtildiği gibi olmalıdır.

9**Sistem hakkında****UYARI**

Üniteyi kendi başınıza modifiye etmeye, sökmeye, çıkarmaya, geri monte etmeye veya onarmaya ÇALIŞMAYIN; aksi takdirde montaj veya söküm işlemlerinin yanlış yapılması elektrik çarpmasına veya yangına yol açabilir. Bayinize danışın.

**DİKKAT**

Sistemi başka amaçlar için KULLANMAYIN. Herhangi bir kalite kaybını önlemek için, üniteyi hassas cihazlar, gıda, bitkiler, hayvanlar veya sanat eserlerini soğutmada KULLANMAYIN.

**DİKKAT**

Sisteminizin ilerideki değişiklikleri veya genişletmeleri için: İzin verilen kombinasyonlara tam bir genel bakış (ilerideki sistem genişletmeleri için) teknik mühendislik verilerinde bulunabilir ve başvurulması gerekir. Daha fazla bilgi ve profesyonel öneri almak için montajcınıza başvurun.

10**İşletim öncesinde****UYARI**

Bu ünite elektrikli ve sıcak parçalar içerir.

**UYARI**

Üniteyi çalıştırmadan önce, montajın bir montajcı tarafından doğru bir şekilde gerçekleştirildiğinden emin olun.

**İKAZ**

Küçük çocukları, bitkileri veya hayvanları HİÇBİR ZAMAN hava akışına doğrudan maruz bırakmayın.

Bu kullanım kılavuzu aşağıdaki standart kumandalı sistemler içindir. Çalıştırmaya başlamadan önce, sizin sistem tip ve modelinize uyan işletim için satıcınızla temas kurun. Şayet kurulumunuzda isteğe uyarlanmış bir kontrol sistemi mevcutsa, satıcınızdan sisteminize uyan işletimi isteyin.

İşletim modları:

- Isıtma ve soğutma (havadan havaya).
- Yalnız fan işletimi (havadan havaya).

Bu kullanım kılavuzu, sistemin ana fonksiyonlarının tam kapsayıcı olmayan bir genel açıklamasını sunar.

Kullanıcı arabirimi hakkında daha fazla bilgi için takılı olan kullanıcı arabiriminin kullanım kılavuzuna bakın.

11**İşletim****11.1****Çalışma aralığı**

Aşağıdaki koşullar standart işletim sınırlarıdır. Farklı koşullar için lütfen satıcınıza başvurun.

Mod	Koşul	Hava sıcaklık sınırı, (DB/WB)	Su sıcaklık sınırı, (giriş/çıkış)	Su delta T, ΔT
Soğutma (°C)	Min.	15/6 (RH%20)	5/8	3 ila 10
	Maks.	33/26 (RH%58)	18/28	

12 Enerji tasarrufu ve optimum işletim

Mod	Koşul	Hava sıcaklık sınırı, (DB/WB)	Su sıcaklık sınırı, (giriş/ çıkış)	Su delta T, ΔT
Isıtma (°C)	Min.	15/**	35/30	5 ila 20
	Maks.	27/**	90/70	

12 Enerji tasarrufu ve optimum işletim

Sistemin doğru bir şekilde çalışmasını sağlamak için aşağıdaki önlemlere uyun.

- Hava çıkışını doğru bir şekilde ayarlayın ve odada yaşayanlara doğrudan hava akışına imkan tanımayın.
- Konforlu bir ortam için oda sıcaklığını doğru bir şekilde ayarlayın. Aşırı ısıtma veya soğutmadan kaçının.
- Soğutma işletimi sırasında, perdeler veya güneşlikler kullanarak odaya direk güneş ışığı girişini önleyin.
- Sık sık havalandırın. Uzun süreli kullanım havalandırmaya özel önem verilmesini gerektirir.
- Kapı ve pencereleri kapalı tutun. Kapı ve pencereler açık kalırsa, hava odanızdan dışarı akacak ve soğutma veya ısıtma etkisinin azalmasına neden olacaktır.
- Çok fazla soğutma veya ısıtma YAPMAMAYA dikkat edin. Enerji tasarrufu için sıcaklık ayarını orta kararda tutun.
- HİÇBİR ZAMAN ünitenin hava girişi veya hava çıkışı yakınına cisimler yerleştirmeyin. Bunu yapmak, ısıtma/soğutma etkisini azaltabilir veya işletimi durdurabilir.
- Nem %80'in üzerinde veya drenaj çıkışı tıkanmışsa yoğunlaşma oluşabilir.

! DİKKAT

Sistemi başka amaçlar için KULLANMAYIN. Herhangi bir kalite kaybını önlemek için, üniteyi hassas cihazlar, gıda, bitkiler, hayvanlar veya sanat eserlerini soğutmada KULLANMAYIN.

! İKAZ

Tütsüleme tipi böcek ilacı kullanırken sistemi ÇALIŞTIRMAYIN. Kimyasallar ünite içinde toplanabilir ve kimyasallara aşırı duyarlı kimselerin sağlığını tehlikeye atabilir.

13 Bakım ve servis

Ürünün ömrü 10 yıldır.

Tüm yetkili servis istasyonlarına ve yedek parça malzemelerinin temin edileceği yerlere ilişkin güncel iletişim bilgileri internet sitemizde yer almaktadır.

Tüm yetkili servis istasyonu bilgilerimiz, Bakanlık tarafından oluşturulan Servis Bilgi Sisteminde yer almaktadır.

13.1 Bakım güvenlik önlemleri

! TEHLİKE: YANMA/HAŞLANMA RİSKİ

! TEHLİKE: ELEKTRİK ÇARPMASI SONUCU ÖLÜM RİSKİ

! DİKKAT

Hava filtresini temiz tutun ve hava akışını düzenli aralıklarla kontrol edin.

! UYARI

- Herhangi bir bakım veya onarım faaliyetini gerçekleştirmeden önce, MUTLAKA besleme panelindeki devre kesiciyi kapatın.
- İletken bir kısma DOKUNMADIĞINIZDAN emin olun.
- Ünitenin içini YIKAMAYIN. Aksi takdirde, elektrik çarpması veya yangın tehlikesi ortaya çıkar.

Fan coil cihazının dış tarafını temizlemek için:

- Fan coil cihazını kapalı konuma getirin.
- Fan coil cihazının dış tarafını yumuşak bir bezle temizleyin.

! İKAZ

- Ünitenin hava çıkışını veya girişini herhangi bir şekilde ENGELLEMEYİN.
- Ünitenin hava çıkış ızgarası üzerine nemli veya ıslak giysiler YERLEŞTİRMEYİN.
- Ekipmanın içine sıvılar DÖKMEYİN.

Fan coil cihazınızı temizlerken kesinlikle şunları kullanmayın:

- aşındırıcı kimyasal çözücüler ve
- 50°C'den sıcak su.

Fan coil cihazınızın bakımı için montaj ekibine veya yetkili servis şirketine danışın.

13.2 Bakım ve servis için önlemler

! DİKKAT

Ünitede HİÇBİR ZAMAN kendi başınıza denetleme ya da servis yapmayın. Yetkili bir servis personelinden bu işi yapmasını isteyin. Ancak, son kullanıcı olarak hava filtresi, emme ızgarası, hava çıkışı ve dış panelleri temizleyebilirsiniz.

! UYARI

Bir sigorta yandığında, sigortayı yanlış amper değerindeki bir sigorta veya diğer tellerle DEĞİŞTİRMEYİN. Tel veya bakır tel kullanılması ünitenin bozulmasına ya da yangına yol açabilir.

! İKAZ

Uzun süre kullanımdan sonra ünite standı ve bağlantısında hasar kontrolü gerçekleştirin. Hasarlı ise, ünite düşebilir ve yaralanmaya yol açabilir.

! DİKKAT

Kumandanın işletim panelini benzin, tiner, kimyasal içeren toz bezi, vs. ile SİLMEYİN. Panel rengini kaybedebilir ya da kaplaması kalkabilir. Eğer ağır biçimde kirlenmişse, suyla seyreltilmiş nötral deterjanla ıslatılan bir bezi iyice sıkıp paneli silerek temizleyin. Başka bir kuru bezle silin.

! İKAZ

Terminal cihazlarına erişim sağlamadan önce, güç girişini kestiğinizden emin olun.

! DİKKAT

Isı eşanjörünü temizlerken anahtar kutusu, fan motoru, drenaj pompası ve şamandıralı anahtar mutlaka sökün. Su veya deterjan, elektronik parçaların izolasyonunu zayıflatabilir ve bu parçaların yanmasına neden olabilir.

! UYARI

Yüksek yerlerde merdivenle çalışırken dikkatli olmak gerekir.

13.3 Hava filtresi, emme ızgarası, hava çıkışı ve dış panelleri temizleme



İKAZ

Hava filtresini, emme ızgarasını, hava çıkışını ve dış panelleri temizlemeden önce üniteyi kapatın.



DİKKAT

- Bıçağı suyla yıkarken kuvvetli OVALAMAYIN. **Olası sonuç:** Yüzey kaplaması soyulur.

Yumuşak bir bezle temizleyin. Lekeleri temizlemek zor ise, su veya nötr deterjan kullanın.

13.3.1 Hava filtresini temizlemek için

Hava filtresi ne zaman temizlenmeli:

- Pratik yöntem: 6 ayda bir temizleyin. Oda içindeki hava aşırı kirli ise, temizleme sıklığını artırın.
- Kiri temizlemek mümkün değilse, hava filtresini (= opsiyonel ekipman) değiştirin.

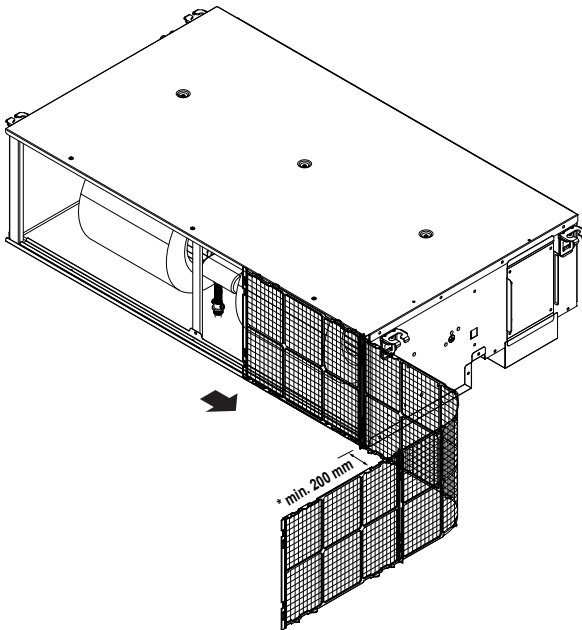
Hava filtresi nasıl temizlenir:



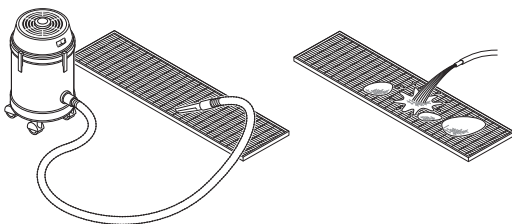
DİKKAT

50°C veya daha sıcak su KULLANMAYIN. **Olası sonuç:** Renk bozulması ve deformasyon.

- Güç beslemesini kapatın. Hava filtresi sağ tarafa ve sol tarafa monte edilebilir. Filtreyi aşağıda gösterildiği gibi kaydırarak çıkarın.



- Hava filtresini temizleyin. Elektrikli süpürge kullanın veya suyla yıkayın. Hava filtresi çok kirli ise, yumuşak bir fırça ve nötr deterjan kullanın.



- Hava filtresini gölgede kurutun.
- Hava filtresini yerine takın ve emme ızgarasını kapatın.

13.4 Uzun bir durma döneminden sonra bakım

Örneğin, sezon başında.

- İç ünitelerin ve dış ünitelerin giriş ve çıkış hava deliklerini tıkaması muhtemel her şeyi kontrol edin ve çıkarın.
- İç ünitelerin hava filtrelerini ve muhafazalarını temizleyin (bkz. "13.3.1 Hava filtresini temizlemek için" [► 201] ve Hava çıkışı ve dış panelleri temizlemek için).

13.5 Uzun bir durma döneminden önce bakım

Örneğin, sezon sonunda.

- Ünitelerin içinin kurutulması için iç üniteleri yaklaşık yarım gün yalnız fan işletiminde çalıştırın. Yalnız fan işletiminin ayrıntıları için bkz. Soğutma, ısıtma, yalnız fan ve otomatik işletim hakkında.
- Enerjiyi kesin. Kullanıcı arabirim ekranı kaybolur.
- İç ünitelerin hava filtrelerini ve muhafazalarını temizleyin (bkz. "13.3.1 Hava filtresini temizlemek için" [► 201] ve Hava çıkışı ve dış panelleri temizlemek için).

13.6 Satış sonrası servis ve garanti

13.6.1 Önerilen bakım ve muayene

Birkaç yıl kullanıldıktan sonra üniteye toz birikeceğinden dolayı, ünitenin performansında belirli bir düşüş gözlenecektir. Sökülmesi ve ünitelerin içinin temizlenmesi teknik uzmanlık gerektirdiği ve ünitelerinizin en iyi bakım durumunun temini için, normal bakım faaliyetlerine ilaveten bir bakım ve muayene sözleşmesi imzalamanızı öneririz. Ünitenizi mümkün olduğunca uzun süre çalışır durumda korumak üzere satıcı ağımızın zaruri elemanların sürekli bir stokuna erişimi vardır. Daha fazla bilgi için satıcınızla temas kurun.

Satıcınızdan bir müdahale istediğinizde daima şunları belirtin:

- Ünitenin tam model ismi.
- İmalat numarası (ünitenin plakası üzerinde belirtilir).
- Kurulum tarihi.
- Belirtiler veya arıza ve hatanın ayrıntıları.



UYARI

Üniteyi kendi başınıza modifiye etmeye, sökmeye, çıkarmaya, geri monte etmeye veya onarmaya **ÇALIŞMAYIN**; aksi takdirde montaj veya söküm işlemlerinin yanlış yapılması elektrik çarpmasına veya yangına yol açabilir. Bayinize danışın.

13.6.2 Kısaltılmış bakım ve yenileme periyotları

"Bakım periyodu" ve "değiştirme periyodu" kısaltılması aşağıdaki durumlarda dikkate alınmalıdır:

Ünite şu yerlerde kullanıldığında:

- Isı ve nemin olağandışı dalgalandığı yerler.
- Güç dalgalanmasının yüksek olduğu yerler (voltaj, frekans, dalga çarpımları, vs.) (güç dalgalanması izin verilen sınırlar dışında ise ünite kullanılamaz).
- Çarpma ve titreşimlerin sık sık olduğu yerler.
- Havada toz, tuz, zararlı gaz veya kükürtlü asit ve hidrojen sülfid gibi yağ buğusunun bulunabileceği yerler.
- Makinenin sık sık çalıştırılıp durdurulduğu veya işletim süresinin uzun olduğu yerler (24 saat havalandırma yapılan yerler).

14 Sorun giderme

Aşınan parçaların önerilen değiştirme periyotları

Eleman	Muayene periyodu	Bakım periyodu (değiştirmeler ve/veya onarımlar)
Hava filtresi	1 yıl	5 yıl
Yüksek verimli filtre		1 yıl
Sigorta		10 yıl
Basınç içeren parçalar		Korozyon olması halinde, yerel satıcınızla irtibat kurun.

BİLGİ

Yetkili satıcılarımız dışındaki başka biri tarafından ünitelerin parçalarına ayrılması veya iç kısımlarının temizlenmesinden dolayı oluşan hasar garanti kapsamına alınmaz.

14 Sorun giderme

Aşağıdaki arızalardan biri meydana geldiğinde aşağıda gösterilen önlemleri alın ve satıcınızla temas kurun.

Sistem yetkili bir servis elemanı tarafından ONARILMALIDIR.

Arıza	Önlem
Sigorta, kesici veya toprak kaçağı kesicisi gibi bir emniyet cihazı sık devreye girdiğinde veya AÇMA/KAPAMA anahtarı düzgün çalışmadığında.	Ana güç anahtarını kapatın.
Üniteden su sızıyorsa.	İşletimi durdurun.
İşletim düğmesi iyi çalışmıyor.	Enerjiyi kesin.

Yukarıda bahsedilen durumlar dışında sistem doğru çalışmıyor ve yukarıda bahsedilen hiçbir arıza YOKSA, aşağıdaki prosedürlere göre sistemi inceleyin.

Arıza	Önlem
Ünite hiç çalışmıyorsa.	<ul style="list-style-type: none">Elektrik kesintisi olup olmadığını kontrol edin. Elektrik gelene kadar bekleyin.Sigortaların yanık olmadığını veya kesicilerin devreye girmediğini kontrol edin. Gerekirse sigortayı değiştirin veya kesiciyi sıfırlayın.
Sistem çalışıyor ancak soğutma veya ısıtma yetersiz.	<ul style="list-style-type: none">Dış veya iç ünitenin hava giriş ya da çıkışının bir engelle tıkanmış olmadığını kontrol edin. Engelleri kaldırın ve havanın serbestçe akabileceğinden emin olun.Hava filtresinin tıkalı olmadığını kontrol edin (bkz. "13.3.1 Hava filtresini temizlemek için" [p 201]).Sıcaklık ayarını kontrol edin.Kullanıcı arabiriminiz üzerindeki fan hızı ayarını kontrol edin.Açık kapı veya pencereler var mı kontrol edin. Rüzgarın içeri girmesini önlemek için kapıları ve pencereleri kapatın.Soğutma işletimi sırasında odada çok fazla insan olup olmadığını kontrol edin. Odanın ısı kaynağının aşırı olup olmadığını kontrol edin.Odaya direk güneş ışığının girip girmediğini kontrol edin. Perdeler veya güneşlikler kullanın.Hava akış yönünün doğru olup olmadığını kontrol edin.

Yukarıdaki bütün maddeleri kontrol ettikten sonra, problemi kendiniz giderebiliyorsanız montajcınızla temas kurun ve belirtileri, ünitenin tam model ismini (mümkünse imalat numarası ile birlikte) bildirin.

14.1 Fan coil ünitenizdeki sorunları çözmek için

Fan coil cihazı çalışmıyor

Fan coil cihazınız çalışmıyorsa:

Kontrol edin:	Yanıtınız evetse.
Fan coil cihazı KAPALI konumda mı?	Fan coil cihazını AÇIK konuma getirin.
Elektrik kesik mi?	Güç beslenmesini sağlayın.
Devre kesici (sigorta) atmış mı?	Montaj ekibinize veya yetkili servis şirketinize danışın.

Fan coil cihazı gerektiği şekilde soğutmuyor veya ısıtmıyor

Fan coil cihazınız gerektiği şekilde soğutmuyor veya ısıtmıyorsa:

Kontrol edin:	Yanıtınız evetse.
Hava girişi veya hava çıkışı yakınında bir engel var mı?	Engeli kaldırın.
Açık kapı veya pencere var mı?	Kapı ve pencereleri kapatın.
Fan coil cihazı düşük devirde mi çalışıyor?	Orta devir veya yüksek devir ayarına getirin.
Hava filtreleri kirli mi?	Montaj ekibinize veya yetkili servis şirketinize danışın.

Fan coil cihazı su kaçıyor

Cihazı kapatın ve montaj ekibinize veya yetkili servis şirketinize danışın.

Fan coil cihazınız gerektiği gibi çalışmıyorsa, tespit ettiğiniz sorunları bu bölümde verilen düzeltme işlemlerini kullanarak gidermeye çalışabilirsiniz.

Sorunun devam etmesi veya bu bölümde bahsedilmemesi halinde, montaj ekibinize veya yetkili servis şirketinize danışın.

14.2 Yer değiştirme

Tüm ünitenin sökülmesi ve yeniden kurulması için satıcınızla temas kurun. Ünitelerin taşınması teknik uzmanlık gerektirir.

15 Bertaraf

- Üniteler şu simgelerle işaretlenir:



Bunun anlamı elektrikli ve elektronik ürünlerin ayrılmamış evsel atıklarla **KARIŞTIRILAMAZ** oluşudur. Sistemi kendi kendinize demonte etmeye **ÇALIŞMAYIN**: klima sisteminin demonte edilmesi ve soğutucu, yağ ve diğer parçalarla ilgili işlemler yetkili montör tarafından ve ilgili mevzuata uygun olarak **GERÇEKLEŞTİRİLMELİDİR**.

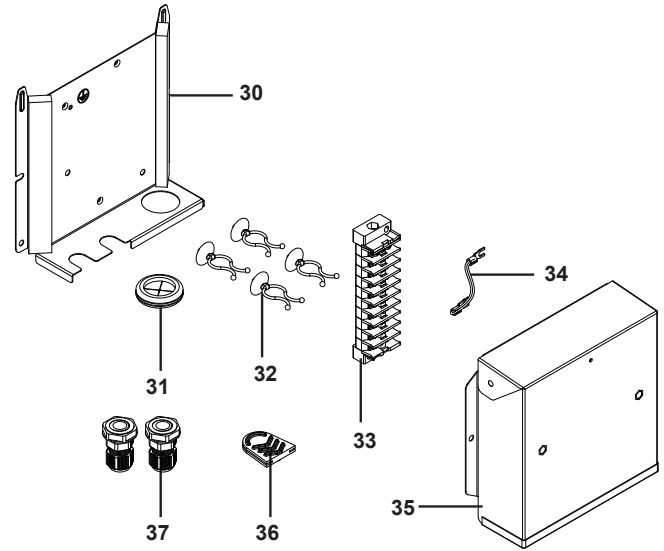
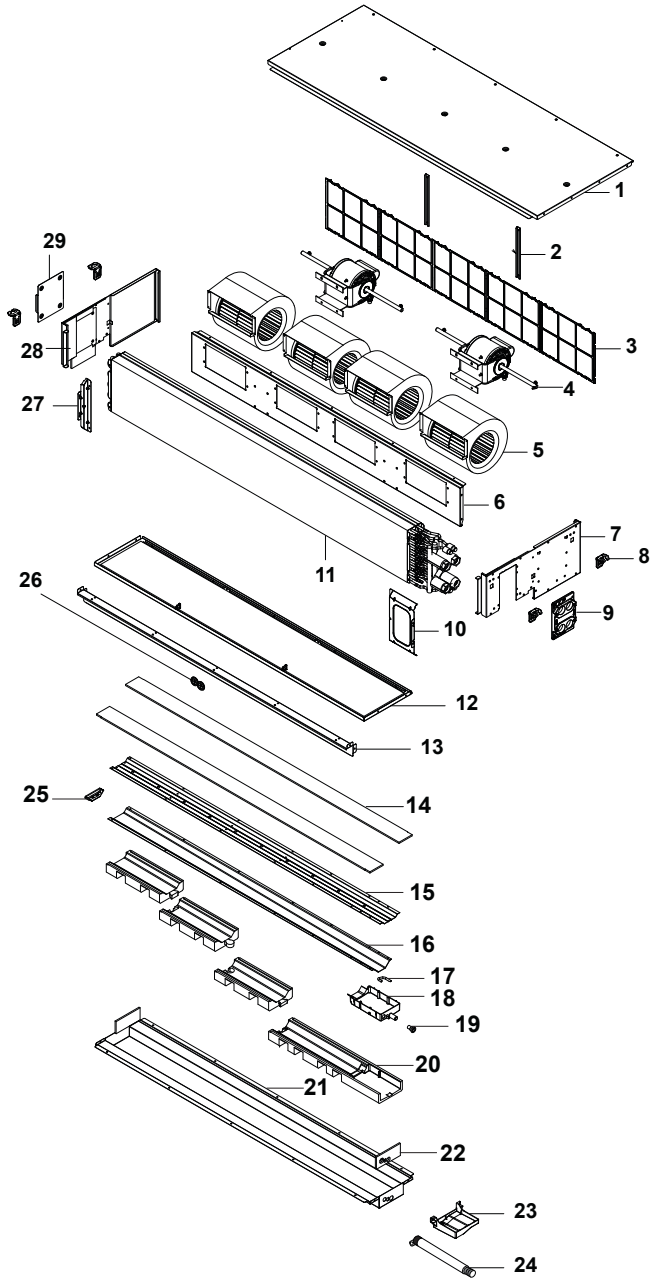
Üniteler yeniden kullanım, geri dönüştürme ve kazanım için özel bir işleme tesisinde **İŞLENMELİDİR**. Bu ürünün doğru şekilde bertaraf edilmesini sağlayarak, çevre ve insan sağlığı için olası olumsuz sonuçların önlenmesine yardımcı olacaksınız. Daha fazla bilgi için yerel satıcınız veya yerel yetkili ile irtibat kurun.

**DİKKAT**

Sistemi kendi kendinize demonte etmeye **ÇALIŞMAYIN**: sistemin demonte edilmesi ve soğutucu, yağ ve diğer parçalarla ilgili işlemler ilgili mevzuata uygun olarak **GERÇEKLEŞTİRİLMELİDİR**. Üniteler yeniden kullanım, geri dönüştürme ve kazanım için özel bir işleme tesisinde **İŞLENMELİDİR**.

Kurulum tamamlandıktan sonra, montörün cihazın doğru çalıştığını doğrulaması gerekir. Üniteye bir sorun olması ve çalışmaması durumunda, yerel satıcınıza başvurun.

Vidaları çıkarmak için uygun aleti kullanın. Ürün aşağıda gösterildiği gibi demonte edilebilir.



Malzemeler	Öge
Elektrik parçası (fan motoru + kapasitör)	4
Alüminyum (kanat) + bakır (boru) + galvanize çelik (plaka) + piriç + plastik köpük	11
Plastik	9, 18, 23, 24, 32, 37
Plastik köpük	14, 22
Plastik + metal	33, 34
Plastik (çerçeve) + plastik (ağ)	3
Galvanize çelik	2, 5, 6, 8, 13, 15, 16, 21, 27
Galvanize çelik + plastik köpük	1, 7, 10, 12, 28, 29, 30, 35
Lastik	19, 25, 26, 31, 36
EPP	20
Bakır	17

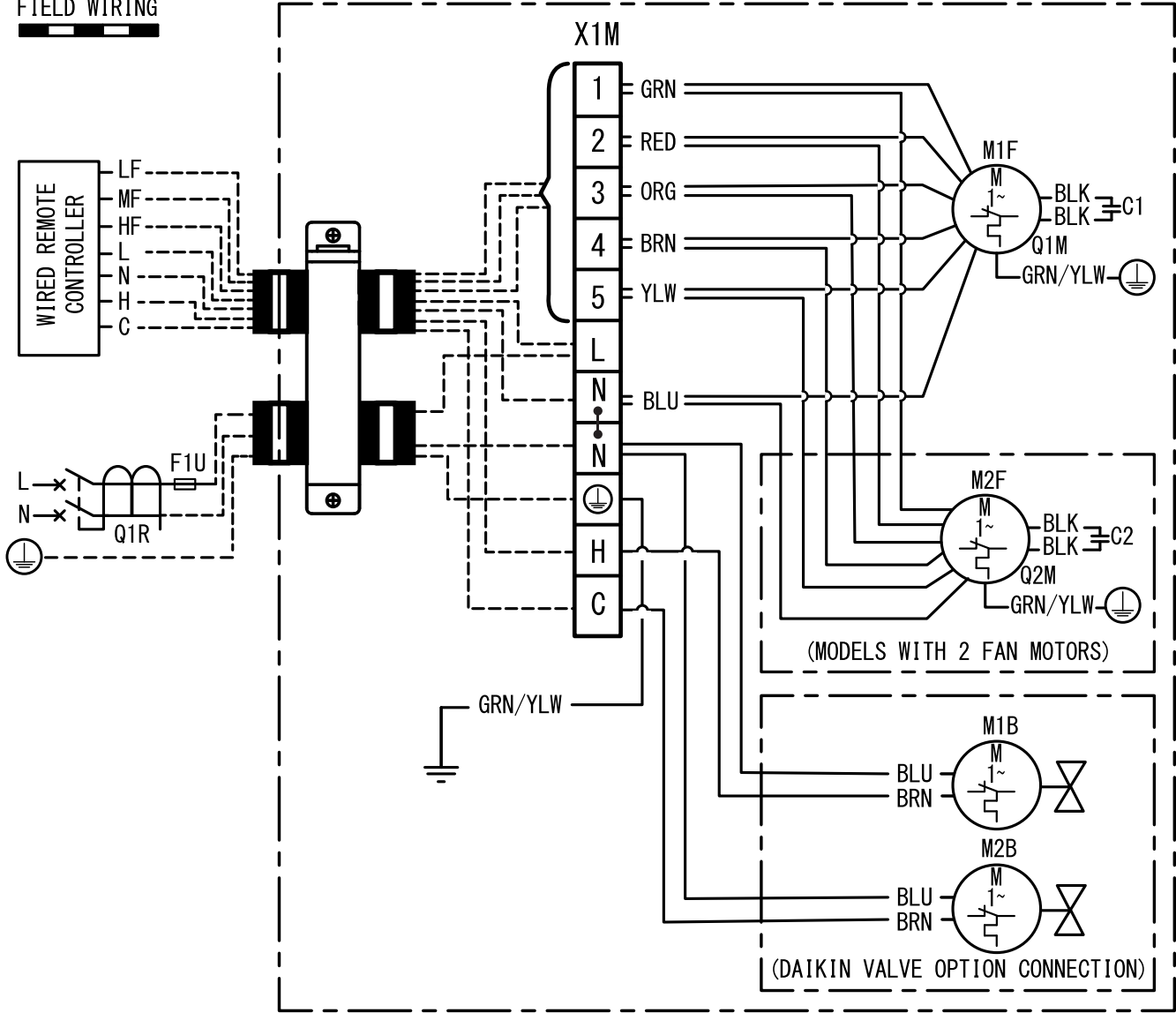
16 Teknik veriler

En son teknik verilerin bir **alt kümesine** bölgesel Daikin web sitesinden (genel erişime açık) ulaşılabilir. En son teknik verilerin **tam setine** Daikin Business Portal üzerinden ulaşılabilir (kimlik denetimi gerekir).

16 Teknik veriler

16.1 Kablo şeması

FIELD WIRING



Kablo bağlantıları için açıklayıcı bilgiler:

C1 , C2	Kapasitör
F1U	Saha sigortası
M1F, M2F	Fan motoru
M1B	Isıtma aktüatörü
M2B	Soğutma aktüatörü
Q1M , Q2M	Termal koruyucu
Q1R	Toprak kaçak kesici
X1M	Terminal şeridi
L	Canlı
N	Nötr
1	En düşük hız
5	En yüksek hız
H	Isıtma vanası
C	Soğutma vanası
LF	Düşük fan hızı
MF	Orta fan hızı
HF	Yüksek fan hızı

	Koruyucu topraklama
	Toprak

Renkler:

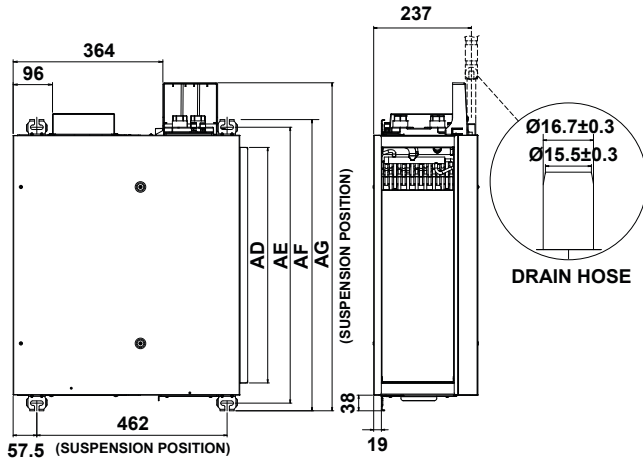
BLK	Siyah
BLU	Mavi
BRN	Kahverengi
GRN	Yeşil
ORG	Turuncu
RED	Kırmızı
YLW	Sarı

Notlar:

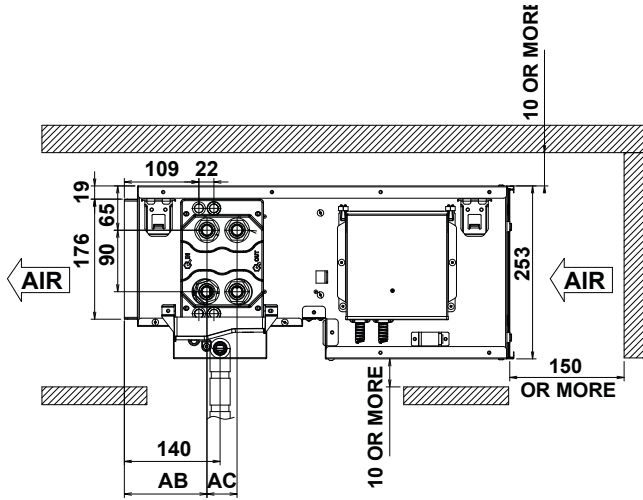
- 1 : Terminal bloğu -- : Saha kabloları.
- 2 Güç gerekliliği için montaj kılavuzuna başvurun

16.2 Boyutlar

Genel Bakış



MODEL	AD	AE	AF	AG
FWE04&05 &06F	572	670	707	797
FWE08&10 &12F	877	975	1012	1102
FWE14&16 F	1187	1285	1322	1412
FWE20&24 F	1487	1585	1622	1712



MODEL	AB	AC
FWE04&05&06&08& 10&12F	118	50
FWE14&16&20&24F	121	44

17 Ecodesign için bilgi gereklilikleri

17 Ecodesign için bilgi gereklilikleri

Prated,c	Prated,c	Prated,h	Pelec	LWA
(GB) Cooling capacity (sensible) (D) Kühlleistung (sensibel) (F) Puissance de rafraîchissement (sensible) (NL) Koelcapaciteit (voelbaar) (E) Capacidad de refrigeración (sensibilidad) (I) Capacità di raffreddamento (sensibile) (GR) Απρόσθη ψύξης (αυθόητη) (P) Capacidade de arrefecimento (sensível) (TR) Soğutma kapasitesi (duyarlı) (BG) Хладопроизводителност (сенна) (S) Kyliningskapacitet (känslig) (N) Avkjølingskapasitet (følbart) (CZ) Chladicí výkon (citelný) (HR) Kapacitet hlađenja (osjetljivo) (H) Hűtési teljesítmény (érzékeny) (RO) Capacitate de răcire (fără dezumidificare) (SI) Moč hlajenja (zaznavna) (SK) Kapacita chladenia (učelná) (ES) Capacidad de refrigeración (sensibilidad) (PL) Wydajność chłodnicza (lawna) (DK) Kølekapacitet (mærkbart) (FIN) Jäähdytyskapasiteetti (järkevä) (EST) Jahutusvõimsus (möödukas) (LV) Dzesāšanas kapacitāte (jūtama) (LT) Vėsinimo galia (tikroji) (AL) Kapaciteti i ftohjes (në gjenjeje gjumi) (SRB) Kapacitet hlađenja (opipljiv)	(GB) Cooling capacity (latent) (D) Kühlleistung (latent) (F) Puissance de rafraîchissement (latente) (NL) Koelcapaciteit (latent) (E) Capacidad de refrigeración (latente) (I) Capacità di raffreddamento (latente) (GR) Απρόσθη ψύξης (αυθόητος) (P) Capacidade de arrefecimento (latente) (TR) Soğutma kapasitesi (gizli) (BG) Хладопроизводителност (скрыта) (S) Kyliningskapacitet (latent) (N) Avkjølingskapasitet (latent) (CZ) Chladicí výkon (latentní) (HR) Kapacitet hlađenja (latentno) (H) Hűtési teljesítmény (látens) (RO) Capacitate de răcire (cu dezumidificare) (SI) Moč hlajenja (latentna) (SK) Kapacita chladenia (latentná) (ES) Capacidad de refrigeración (latente) (PL) Wydajność chłodnicza (ujajona) (DK) Kølekapacitet (skjult) (FIN) Jäähdytyskapasiteetti (latentti) (EST) Jahutusvõimsus (latentne) (LV) Dzesāšanas kapacitāte (latentā) (LT) Vėsinimo galia (latentinė) (AL) Kapaciteti i ftohjes (në gjenjeje gjumi) (SRB) Kapacitet hlađenja (latentan)	(GB) Heating capacity (D) Heizleistung (F) Puissance de chauffage (NL) Verwarmingscapaciteit (E) Capacidad de calefacción (I) Capacità di riscaldamento (GR) Απρόσθη θέρμανσης (P) Capacidade de aquecimento (TR) Isıtma kapasitesi (BG) Топлопроизводителност (S) Värmekapacitet (N) Oppvarmingskapasitet (CZ) Topný výkon (HR) Kapacitet grijanja (H) Hűtési teljesítmény (RO) Capacitate de încălzire (SI) Moč ogrevanja (SK) Výkon ohrevu (ES) Capacidad de calefacción (PL) Wydajność grzewcza (DK) Varmekapacitet (FIN) Lämmitysvoima (EST) Küttevõimsus (LV) Apsildes kapacitāte (LT) Šildymo galia (AL) Kapaciteti i ngrohjes (SRB) Kapacitet grijanja	(GB) Total electric power input (D) Elektrische Gesamtleistungsaufnahme (F) Entrée électrique totale (NL) Totaal opgenomen vermogen (E) Potencia eléctrica de entrada total (I) Potenza elettrica totale assorbita (GR) Συνολική ηλεκτρική ισχύς εισόδου (P) Entrada de potência elétrica total (TR) Sektiren toplam elektrik gücü (BG) Общ електрообемляема электрическа мощност (S) Total effektingång (N) Total elektrisk strømeffekt (CZ) Celkový elektrický příkon (HR) Ukupna primljena snaga električne energije (H) Teljes áramfórás-bemenet (RO) Consum total de putere (SI) Skupna vhodna električna moč (SK) Celkový elektrický príkon (ES) Obща входная электрическая мощность (PL) Całkowita pobierana energia elektryczna (DK) Total elektrisk strømforbrug (FIN) Sähkötehon kokonaistulo (EST) Kogu elektriline sisendvõimsus (LV) Kopējā elektriskā ieejas jauda (LT) Bendroji elektros vartojamoji galia (AL) Konsumi total i energjisë elektrike (SRB) Ukupna ulazna električna snaga	(GB) Sound power level (per speed setting, if applicable) (D) Schalleistungspegel (je Geschwindigkeitseinstellung, falls zutreffend) (F) Niveau de puissance sonore (par réglage de vitesse, le cas échéant) (NL) Geluidsvormogeniveau (per snelheidsinstelling, indien van toepassing) (E) Nivel de potencia acústica (según ajuste de velocidad, si corresponde) (I) Livello di potenza sonora (per velocità impostata, se applicabile) (GR) Επίπεδο ηχητικής ισχύος (ανάρρηση ταχύτητας, εφόσον διατίθεται) (P) Nivel de potencia acústica (por regulación de velocidad, se aplicável) (TR) Ses gücü seviyesi (mümkünse hız ayarına) (BG) Уroveň звукового давления (съгласно настроите скорост, если применимо) (S) Ljudeffektnivå (per hastighetsinställning, om tillämpligt) (N) Nivå på lydeffekt (per hastighetsinnstilling, hvis tilgjengelig) (CZ) Hladina akustického výkonu (dle nastavení otáček pokud je to použitelné) (HR) Razina jačine zvuka (postavka prema brzini, ako je primjenljivo) (H) Hangerőszint (sebességszintenként, ha alkalmazható) (RO) Nivel presiune sonoră (în funcție de turajate, dacă este cazul) (SI) Raven zvočne moči (glede na nastavitev hitrosti, če se uporablja) (SK) Úroveň akustického tlaku (na príslušné nastavenie rýchlosti, ak sa používa) (ES) Nivel de potencia sonora (por configuración de velocidad, si corresponde) (PL) Poziom mocy dźwięku (dla ustawienia prędkości, jeśli dotyczy) (DK) Støjniveau (efter hastighedsindstilling hvis relevant) (FIN) Äänen tehotaaso (nopeusasetuksen mukaan, jos sovellettavissa) (EST) Helivõimsuse tase (võimalusel olemavalt määratud kiirusest) (LV) Skanrs intensitātes līmenis (attiecīgā gadījumā – katram ātruma iestatījumam) (LT) Garso galios lygis (vienai greičio nuostatai, jei taikytina) (AL) Niveli i fuqisë së tingullit (për cilësimin e shpejtësisë, nëse aplikohet) (SRB) Nivo zvučne snage (po podešenoj brzini, ako je primenljivo)

Prated,c (sensible)	Prated,c (latent)	Prated,h	Pelec	Lwa
1.8	0.4	52	0.057	52
2.0	0.5	53	0.057	53
2.7	0.7	61	0.079	61
3.5	0.8	55	0.094	55
3.7	0.9	57	0.109	57
4.3	1.0	60	0.122	60
5.6	1.3	61	0.170	61
6.3	1.3	64	0.189	64
8.3	1.7	60	0.180	60
9.7	1.9	64	0.224	64



ERC



DAIKIN ISITMA VE SOĞUTMA SİSTEMLERİ SAN.TİC. A.Ş.

Gülsuyu Mahallesi, Fevzi Çakmak Caddesi, Burçak Sokak, No:20, 34848 Maltepe

İSTANBUL / TÜRKİYE

Tel: 0216 453 27 00

Faks: 0216 671 06 00

Çağrı Merkezi: 444 999 0

Web: www.daikin.com.tr

Copyright 2023 Daikin

3P756931-1 2023.11