

**DAIKIN**

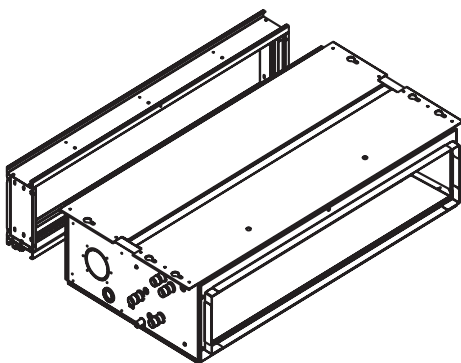
# INSTALLATION AND OPERATION MANUAL

## Ducted fan coil units

English language: Original Instructions

All other language: Translation of the Original Instruction

FWN



Installation and operation manual Ducted fan coil units	English
Installations- und Bedienungsanleitung Kanal-Ventilator-Konvektoren	Deutsch
Manuel d'installation et d'utilisation Ventilo-convecteurs canalisés	Français
Montagehandleiding en gebruiksaanwijzing Ventilator-convectoren met kanaalaansluiting	Nederlands
Manual de instalación y operación Fan coils entubados	Español
Manuale d'installazione e d'uso Unità fan coil canalizzata	Italiano
Εγχειρίδιο εγκατάστασης και χρήσης Μονάδα διοχέτευσης ανεμιστήρα	Ελληνικά
Manual de instalação e de funcionamento Ventilo-convectores de conduta	Portugues
Руководство по установке и эксплуатации Канальный вентиляторный доводчик	русский
Installations - och bruksanvisningar Kanalansluten fläktkonvektor	Svenskt
Kurulum ve kullanım kılavuzu Kanallı tip fan coil ünitesi	Türkçe

CE - DECLARACION DE CONFORMIDAD CE - DICHIARAZIONE DI CONFORMITA CE - ДИΧΛΑΡΩΣΗ ΣΥΜΜΟΡΦΩΣΗΣ CE - DECLARACIÓN DE CONFORMIDADE CE - ЗАЯВЛЕНИЕ О СООТВЕТСТВИИ CE - DEKLARACIJA ZGODNOSCI CE - DEKLARAZIJE-DE-CONFORMITATE CE - ERKLÄRUNG ÜBER ÜBEREINSTIMMUNG CE - ILMOITUUS-YHDENMUKAISUUDESTA CE - DEKLARACIJA ZGODNOSCI CE - DEKLARAZIJE-DE-CONFORMITATE CE - IZJAVA O SKLADNOSTI CE - VASTAVUŠDEKLARACIJA CE - ATBILSĪBĪBAS-DEKLARĀCIJA CE - VYHLÁŠENIE ZHODY CE - UYGUNLUK-BEYANI

### Daikin Europe N.V.

01 (66) declares under its sole responsibility that the air conditioning models to which this declaration refers: 02 (67) erklärt auf seine alleinige Verantwortung daß die Modelle der Klimaanlage für die diese Erklärung bestimmt ist: 03 (68) déclare sous sa seule responsabilité que les appareils d'air conditionné visés par la présente déclaration: 04 (69) verklaart hierbij op zijn exclusieve verantwoordelijkheid dat de airconditioning units waarop deze verklaring betrekking heeft: 05 (70) declara bajo su única responsabilidad que los modelos de aire acondicionado a los cuales hace referencia la declaración: 06 (71) dichiara sotto sua responsabilità che i condizionatori modello a cui è riferita questa dichiarazione: 07 (72) δηλώνει με αποκλειστική της ευθύνη ότι τα προϊόντα των κλιματιστικών συστημάτων στα οποία αναφέρεται η παρούσα δήλωση: 08 (73) declara sob sua exclusiva responsabilidade que os modelos de ar condicionado a que esta declaração se refere:

09 (74) заявляет, исключительно под своею ответственностью, что модели кондиционеров воздуха, к которым относится настоящее заявление: 10 (75) erklærer under eneansvar, at klimateknikmodellerne, som denne deklarasjon vedrører: 11 (76) deklarerar i egenansvar, att luftkonditioneringsmodellerna som berörs av denna deklaration innebär att: 12 (77) erklærer et fullstændigt ansvar for at de luftkonditioneringsmodeller som berøres af denne deklarasjon, imødebrer at: 13 (78) ilmoittaa yksinomaan omella vastuullaan, että tämän ilmoituksen tarkoituksena on toteuttaa seuraava: 14 (79) proklamuje na swe plnie odpowiedzialności, że modely klimatyzacji, k nimż się odwołuje, posiadać następującą cechę: 15 (80) δηλώνει υπό αποκλειστική της ευθύνης, ότι οι μονέτες κλιμα, υπαρκτά, να έχει τις ακόλουθες ιδιότητες: 16 (81) bijles feitelingsge declareert, te weten, dat de modellen van het klimaatregelsysteem de volgende eigenschappen bezitten:

FWN04AAAFN6V3\*\*\*, FWN05AATN6V3\*\*\*, FWN06AAFN6V3\*\*\*, FWN07AATN6V3\*\*\*, FWN08AATN6V3\*\*\*, FWN09AATN6V3\*\*\*, FWN10AATN6V3\*\*\*, FWN11AATN6V3\*\*\*, FWN12AATN6V3\*\*\*, FWN13AATN6V3\*\*\*, FWN14AATN6V3\*\*\*, FWN15AATN6V3\*\*\*, FWN16AATN6V3\*\*\*, FWN17AATN6V3\*\*\*, FWN18AATN6V3\*\*\*, FWN19AATN6V3\*\*\*, FWN20AATN6V3\*\*\*, FWN21AATN6V3\*\*\*, FWN22AATN6V3\*\*\*, FWN23AATN6V3\*\*\*, FWN24AATN6V3\*\*\*, FWN25AATN6V3\*\*\*, FWN26AATN6V3\*\*\*, FWN27AATN6V3\*\*\*, FWN28AATN6V3\*\*\*, FWN29AATN6V3\*\*\*, FWN30AATN6V3\*\*\*, FWN31AATN6V3\*\*\*, FWN32AATN6V3\*\*\*, FWN33AATN6V3\*\*\*, FWN34AATN6V3\*\*\*, FWN35AATN6V3\*\*\*, FWN36AATN6V3\*\*\*, FWN37AATN6V3\*\*\*, FWN38AATN6V3\*\*\*, FWN39AATN6V3\*\*\*, FWN40AATN6V3\*\*\*, FWN41AATN6V3\*\*\*, FWN42AATN6V3\*\*\*, FWN43AATN6V3\*\*\*, FWN44AATN6V3\*\*\*, FWN45AATN6V3\*\*\*, FWN46AATN6V3\*\*\*, FWN47AATN6V3\*\*\*, FWN48AATN6V3\*\*\*, FWN49AATN6V3\*\*\*, FWN50AATN6V3\*\*\*, FWN51AATN6V3\*\*\*, FWN52AATN6V3\*\*\*, FWN53AATN6V3\*\*\*, FWN54AATN6V3\*\*\*, FWN55AATN6V3\*\*\*, FWN56AATN6V3\*\*\*, FWN57AATN6V3\*\*\*, FWN58AATN6V3\*\*\*, FWN59AATN6V3\*\*\*, FWN60AATN6V3\*\*\*, FWN61AATN6V3\*\*\*, FWN62AATN6V3\*\*\*, FWN63AATN6V3\*\*\*, FWN64AATN6V3\*\*\*, FWN65AATN6V3\*\*\*, FWN66AATN6V3\*\*\*, FWN67AATN6V3\*\*\*, FWN68AATN6V3\*\*\*, FWN69AATN6V3\*\*\*, FWN70AATN6V3\*\*\*, FWN71AATN6V3\*\*\*, FWN72AATN6V3\*\*\*, FWN73AATN6V3\*\*\*, FWN74AATN6V3\*\*\*, FWN75AATN6V3\*\*\*, FWN76AATN6V3\*\*\*, FWN77AATN6V3\*\*\*, FWN78AATN6V3\*\*\*, FWN79AATN6V3\*\*\*, FWN80AATN6V3\*\*\*, FWN81AATN6V3\*\*\*, FWN82AATN6V3\*\*\*, FWN83AATN6V3\*\*\*, FWN84AATN6V3\*\*\*, FWN85AATN6V3\*\*\*, FWN86AATN6V3\*\*\*, FWN87AATN6V3\*\*\*, FWN88AATN6V3\*\*\*, FWN89AATN6V3\*\*\*, FWN90AATN6V3\*\*\*, FWN91AATN6V3\*\*\*, FWN92AATN6V3\*\*\*, FWN93AATN6V3\*\*\*, FWN94AATN6V3\*\*\*, FWN95AATN6V3\*\*\*, FWN96AATN6V3\*\*\*, FWN97AATN6V3\*\*\*, FWN98AATN6V3\*\*\*, FWN99AATN6V3\*\*\*, FWN00AATN6V3\*\*\*.

01 are in conformity with the following standard(s) or other normative document(s), provided that these are used in accordance with our instructions: 02 (der)den folgenden Norm(en) oder einem anderen Normdokument oder -dokumenten entsprechend/entsprechend, unter der Voraussetzung, daß sie gemäß unserer Anweisungen eingesetzt werden: 03 sont conformes à l(au)x norm(e)(s) ou autr(e)(s) document(s) normatif(s), pour autant qu'ils soient utilisés conformément à nos instructions: 04 conformes de volgende norm(en) of één of meer andere bindende documenten zijn, op voorwaarde dat ze worden gebruikt overeenkomstig onze instructies: 05 están en conformidad con la(s) siguiente(s) norma(s) u otro(s) documento(s) normativo(s), siempre que sean utilizados de acuerdo con nuestras instrucciones: 06 sono conformi all(i) seguente(i) standard(i) o altro(i) documento(i) a carattere normativo, a patto che vengano usati in conformità alle nostre istruzioni: 07 ένα σύμφωνο με το(ι) ακόλουθο(ι) πρότυπο(ι) ή άλλο(α) έγγραφο(α) κανονιστικό, υπό την προϋπόθεση ότι χρησιμοποιούνται σύμφωνα με τις οδηγίες μας:

10 onder volgende norm(en) of één of meer andere bindende documenten zijn, op voorwaarde dat ze worden gebruikt overeenkomstig onze instructies: 11 respectie uitsluitend is vóór de overensstemming met och tillhör följande standard(er) eller andra normgivande dokument under förutsättning att användning sker i överensstämmelse med våra instruktioner: 12 respektive utstyr er i överensstemmelse med følgende standard(er) eller andre normgivende dokument(er), under forudsættning av at disse brukes i henhold til våre instruksjoner: 13 vastavast seisavast standardeid ja muuden ohjeellisten dokumenttien vaatimuksia edellyttäen, että niitä käytetään ohjeidemme mukaisesti: 14 za předpokladu, že jsou využívány v souladu s našimi pokyny, odpovídají následujícím normám nebo normativním dokumentům: 15 i sáklad s atšējācīm standarta(m) (im), li šādiem normatīvajiem dokumentiem (im), iz ūjiet da se oni koista v sākladā s našim uplūma:

EN60335-1-2013 IEC:2014 /A11:2015  
EN60335-2-40:2005 /A1:2007 /A2:2009 /A13/EC:2013  
EN55014-1-2008 + A1:2010 + A2:2012  
EN55014-2-1998 + A1:2002 + A2:2009  
EN55014-2:2015  
EN55016-2-3:2006  
EN61000-3-2:2007 + A1:2011 + A2:2011  
EN61000-3-2:2014  
EN61000-3-3:2009

10 under følgende provisions of: 11 enligt villkoren i: 12 gitt i henhold til bestemmelserne i: 13 noudatteen määräyksissä: 14 za dodržení ustanovení předpisů: 15 prema odrednima: 16 көйтө аз: 17 zgodna z postanowieniami Dyrektywy: 18 in urma prevederilor:  
19 об условиях применения: 20 vastavast nõudele: 21 erellaan vertytöen ha: 22 tilankäytön määräykset: 23 eräillä eräillä määräyksillä: 24 ordningarna i föreskrifterna: 25 buchin în cuprinderea legii privind:

19 ob usloženijima dolozbi: 20 vastavast nõudele: 21 erellaan vertytöen ha: 22 tilankäytön määräykset: 23 eräillä eräillä määräyksillä: 24 ordningarna i föreskrifterna: 25 buchin în cuprinderea legii privind:  
01 following the provisions of: 02 gemäß den Vorschriften der: 03 conformément aux stipulations des: 04 overeenkomstig de bepalingen van: 05 siguiendo las disposiciones de: 06 secondo le prescrizioni per: 07 pe trîpturi sau dispoziţii sau: 08 de acordo com o previsto em: 09 a conformaţă cu conţinutul Dispoziţiilor:  
01 Dairén Europe N.V. is authorised to compile the Technical Construction File 02 Dairén Europe N.V. har de Bemyndigelse til at sammensætte det tekniske konstruktionsfil 03 Dairén Europe N.V. er autoriseret at sammensætte det tekniske konstruktionsfil 04 Dairén Europe N.V. er autoriseret at sammensætte det tekniske konstruktionsfil 05 Dairén Europe N.V. is authorised to compile the Technical Construction File 06 Dairén Europe N.V. er autoriseret at sammensætte det tekniske konstruktionsfil

2PW59562-9E

Shigeki Morita  
Director  
Ostend, 16th of January 2017

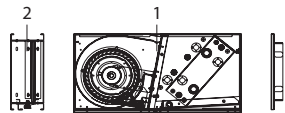


**DAIKIN EUROPE N.V.**  
Zandvoordestraat 300, B-8400 Oostende, Belgium

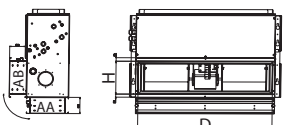


01 Dairén Europe N.V. is authorised to compile the Technical Construction File 02 Dairén Europe N.V. har de Bemyndigelse til at sammensætte det tekniske konstruktionsfil 03 Dairén Europe N.V. er autoriseret at sammensætte det tekniske konstruktionsfil 04 Dairén Europe N.V. er autoriseret at sammensætte det tekniske konstruktionsfil 05 Dairén Europe N.V. is authorised to compile the Technical Construction File 06 Dairén Europe N.V. er autoriseret at sammensætte det tekniske konstruktionsfil 07 Dairén Europe N.V. er autoriseret at sammensætte det tekniske konstruktionsfil 08 Dairén Europe N.V. er autoriseret at sammensætte det tekniske konstruktionsfil 09 Dairén Europe N.V. er autoriseret at sammensætte det tekniske konstruktionsfil 10 Dairén Europe N.V. er autoriseret at sammensætte det tekniske konstruktionsfil 11 Dairén Europe N.V. er autoriseret at sammensætte det tekniske konstruktionsfil 12 Dairén Europe N.V. er autoriseret at sammensætte det tekniske konstruktionsfil 13 Dairén Europe N.V. er autoriseret at sammensætte det tekniske konstruktionsfil 14 Dairén Europe N.V. er autoriseret at sammensætte det tekniske konstruktionsfil 15 Dairén Europe N.V. er autoriseret at sammensætte det tekniske konstruktionsfil 16 Dairén Europe N.V. er autoriseret at sammensætte det tekniske konstruktionsfil 17 Dairén Europe N.V. er autoriseret at sammensætte det tekniske konstruktionsfil 18 Dairén Europe N.V. er autoriseret at sammensætte det tekniske konstruktionsfil 19 Dairén Europe N.V. er autoriseret at sammensætte det tekniske konstruktionsfil 20 Dairén Europe N.V. er autoriseret at sammensætte det tekniske konstruktionsfil 21 Dairén Europe N.V. er autoriseret at sammensætte det tekniske konstruktionsfil 22 Dairén Europe N.V. er autoriseret at sammensætte det tekniske konstruktionsfil 23 Dairén Europe N.V. er autoriseret at sammensætte det tekniske konstruktionsfil 24 Dairén Europe N.V. er autoriseret at sammensætte det tekniske konstruktionsfil 25 Dairén Europe N.V. er autoriseret at sammensætte det tekniske konstruktionsfil

# FWN04~10



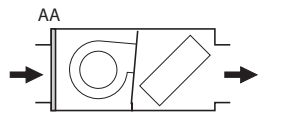
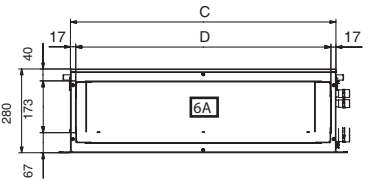
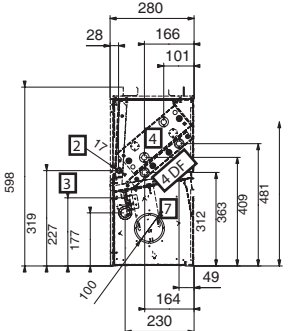
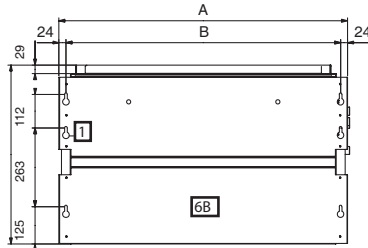
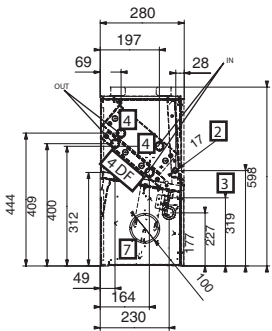
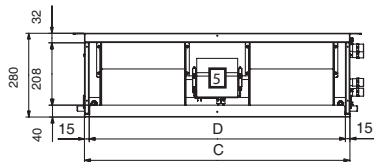
1



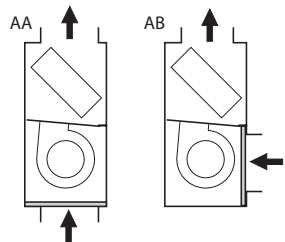
2

	D	H
FWN04 + 05	646	223
FWN06 + 07	856	223
FWN08+10	1066	223

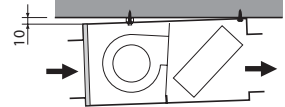
	A	B	C	D
FWN04 + 05	754	707	676	646
FWN06 + 07	964	917	886	856
FWN08+10	1174	1127	1096	1066



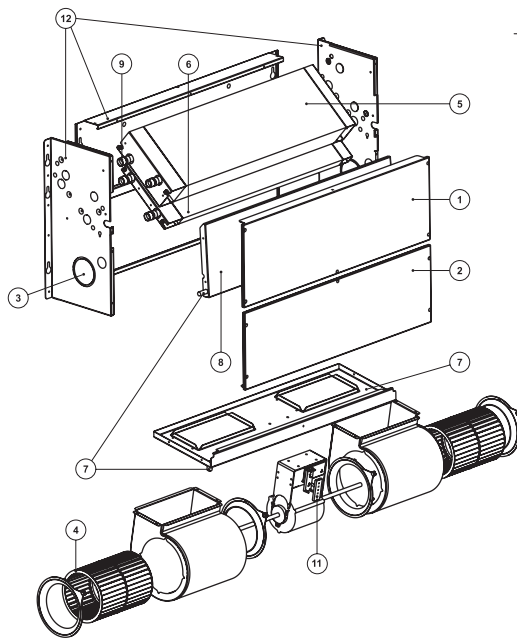
3



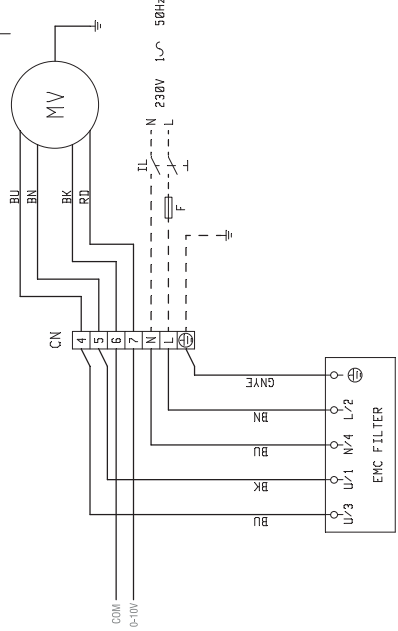
4



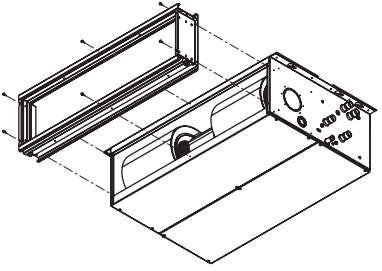
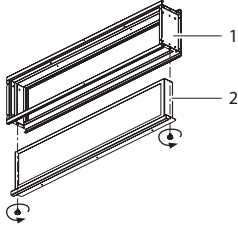
8



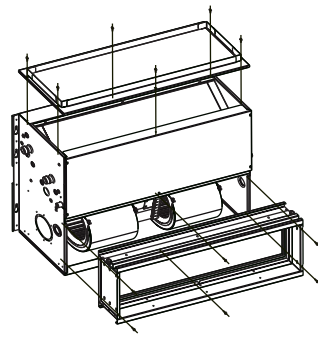
6



7

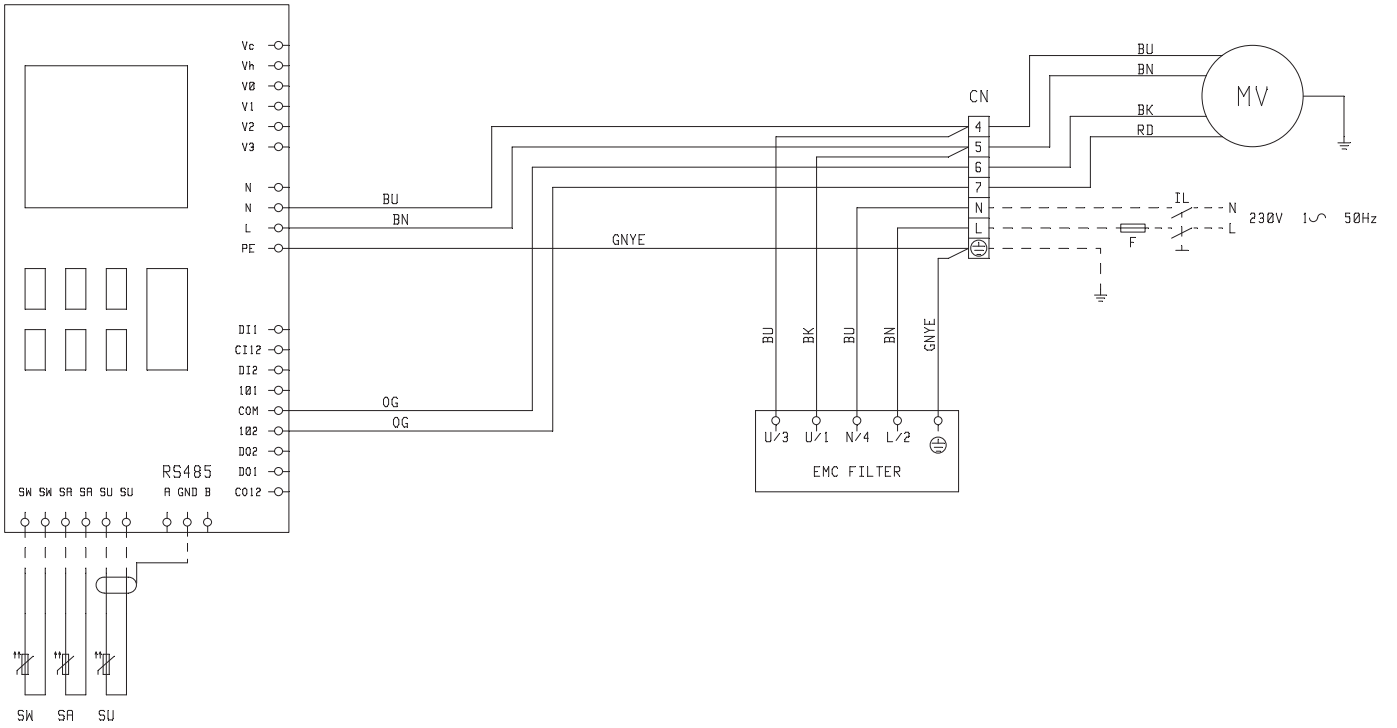


9

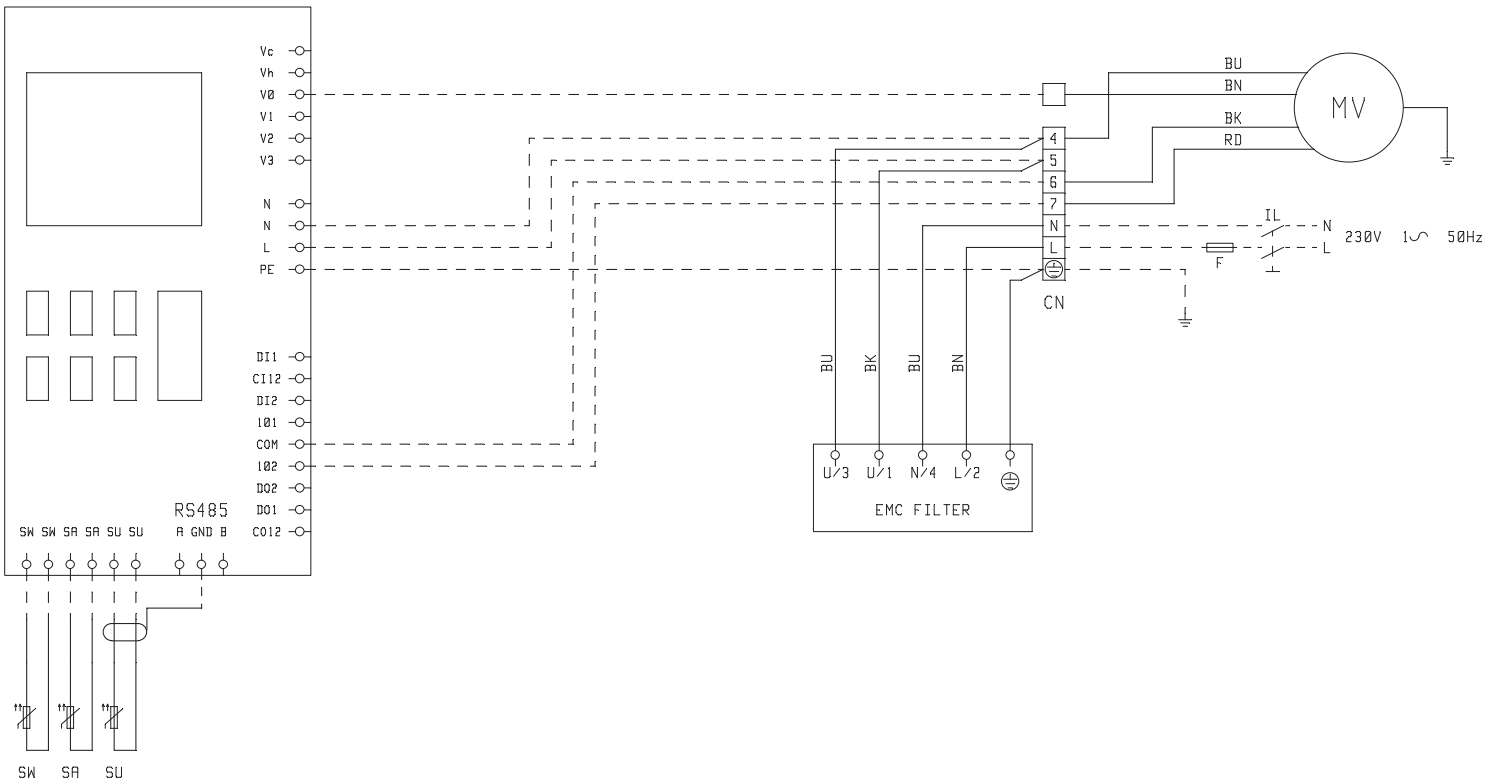


10

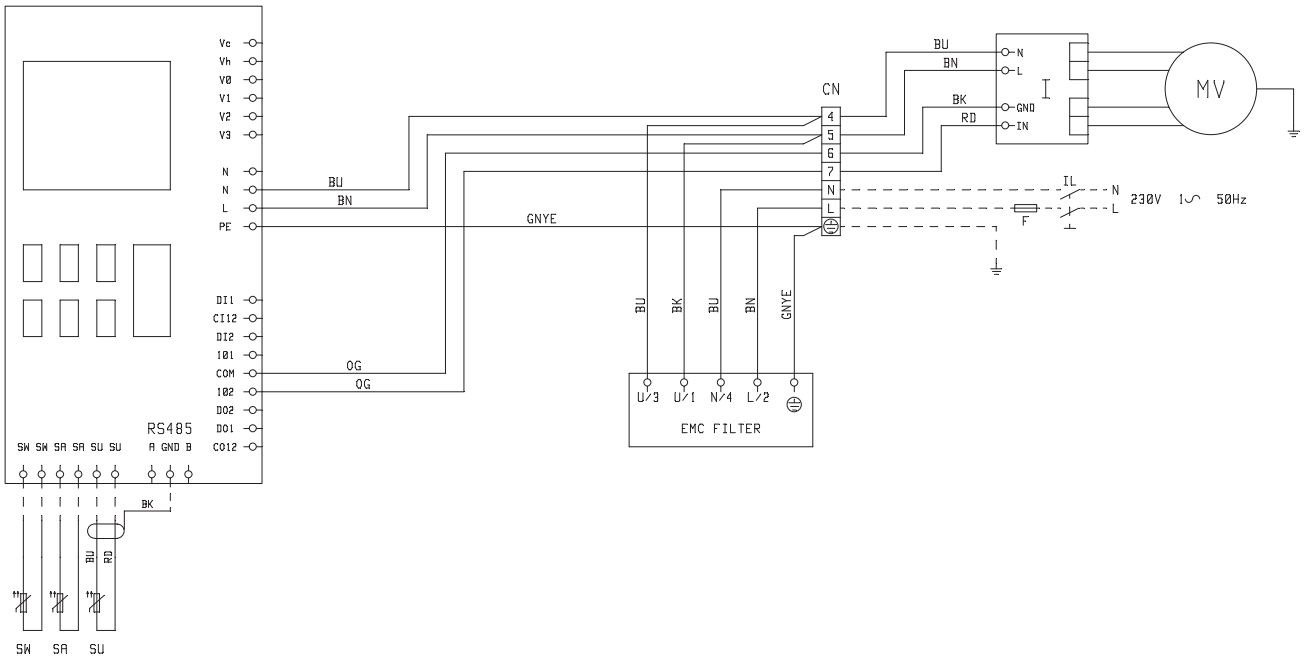
## FWEC3 BLDC integrated



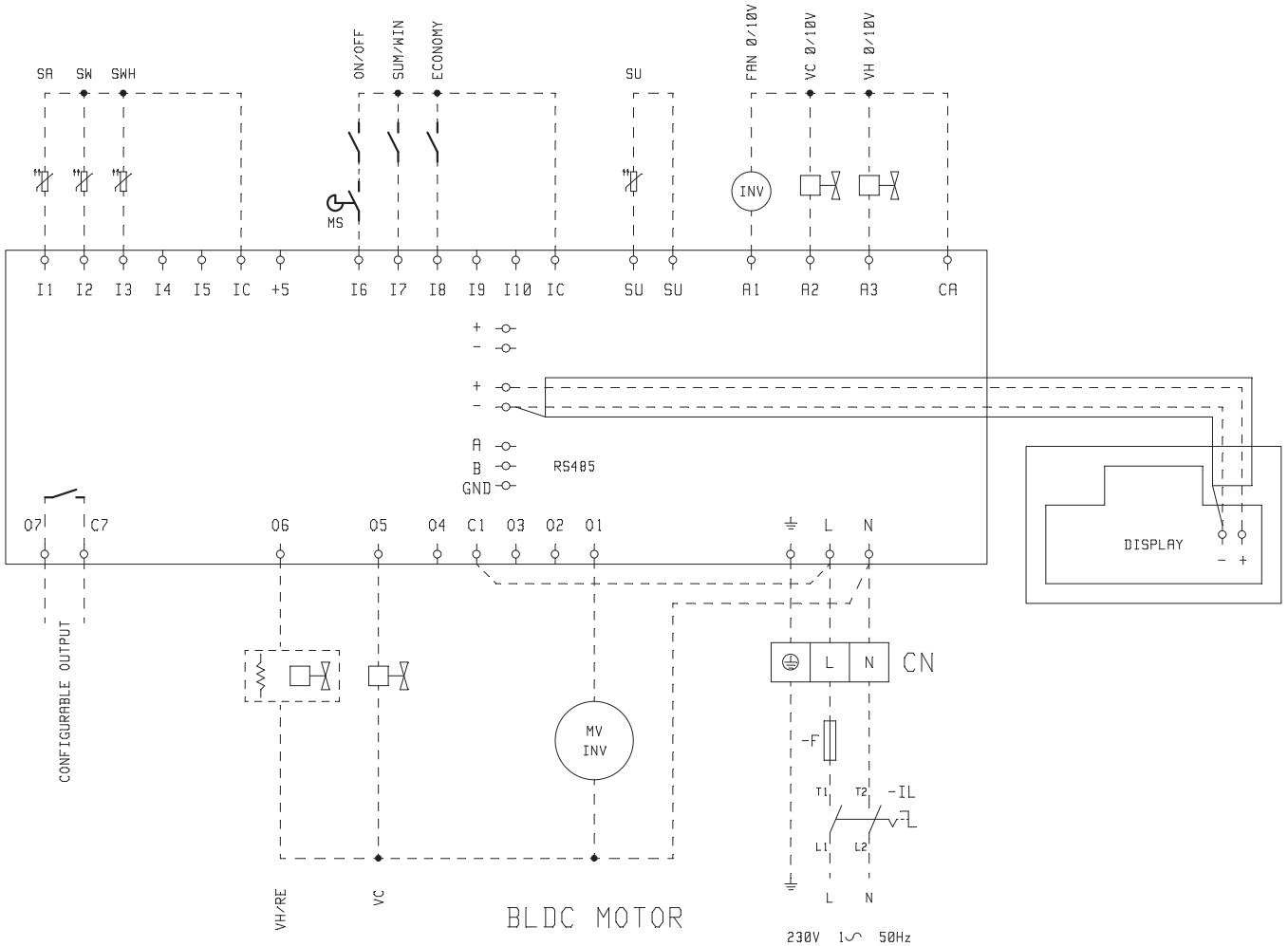
## FWEC3 BLDC integrated



# FWEC3 BLDC separate



# FWEC3A BLDC





Read this manual attentively before starting up the unit. Do not throw it away. Keep it in your files for future reference.

Improper installation or attachment of equipment or accessories could result in electric shock, short-circuit, leaks, fire or other damage to the equipment. Be sure only to use accessories made by Daikin which are specifically designed for the use with the equipment and have them installed by a professional.

If unsure of installation procedures or use, always contact your Daikin dealer for advice and information.

## BEFORE INSTALLATION

Installation and maintenance should be carried out by technical personnel qualified for this type of machine, in compliance with current safety regulations.

When receiving the unit please check its state, verifying if any damage occurred during transport.

Refer to the relevant technical sheets for installation and use of possible accessories.

Identify model and version of the unit from the indications stated on the carton package.

## USE AND OPERATING LIMITS

Daikin shall not be held liable

- if the unit has been installed by non-qualified personnel,
- if the unit has been used improperly,
- if the unit has been used under conditions that are not permitted,
- if maintenance operations specified in this manual have not been carried out,
- if non original spare parts have been used.

Keep the unit in its packaging until it is ready to be installed, to prevent dust getting inside.

Air sucked by the unit must always be filtered. Always use the supplied air filter.

If the unit is not used during winter, drain the water from the system to prevent damage caused by the formation of ice. If antifreeze solutions are used, check the freezing point.

Do not change the internal wiring or other parts of the unit.

Operating limits are shown here below; all other uses are considered improper:

- thermal carrier: water/glycol
- water temperature: 5°C~95°C
- maximum operating pressure: 10 bar
- air temperature: -20°C~43°C
- voltage tolerance: ±10%
- ambient air humidity limit: RH < 85 % non-condensing

Selection of location:

Equipment designed for ambient air conditioning and intended for use in civil comfort applications

- do not install the unit in rooms where inflammable gases are present
- do not let water spray directly on the unit;
- install the unit on ceilings or walls that bear its weight. Leave enough space all around for proper operation and maintenance of the unit, taking into account all installed optional accessories.
- never place the heating unit immediately under an electric plug-socket.

## DESCRIPTION OF THE EQUIPMENT

The FWN range of air conditioning and hot-air heating units has been implemented for conditioning rooms that require the installation of ducted units.

### Main components

- **Load bearing structure** made of galvanized steel sheet of suitable thickness, duly insulated with noise-proof/anti-condensing material, self-extinguishing in class 1. Complete with inspection panels.
- **Fan unit** with single or dual fan wheel, dual intake centrifugal type, with statically and dynamically balanced impellers, coupled directly to the permanent magnet electric motor. The unit is equipped with an inverter board to control the motor, that makes it possible to precisely set the maximum rotation speed of the motor (control signal 0-10 V).
- **Terminal strip.**
- **Heat exchanger:** high efficiency, made of copper tube and aluminium fins secured to the tubes by mechanical expansion. They are fit with brass manifolds and contain air valves. The heat exchanger, normally supplied with left-hand attachments, may be turned 180°.
- **System for collecting and discharging condensate,** setup either for ceiling or wall mounting. All FWN range models may be installed either in a horizontal or in a vertical position.
- **Air intake module with air filter**
  - **Air intake module**  
Made of galvanised steel sheet. These modules permit to filter the air sucked up by the unit and also to connect the unit to the intake channelling.
  - **Air filter**  
Made of acrylic material, self-extinguishing in class 1, with filtering class EU 2.  
  
The filter may be inserted or removed and is fixed by means of 2 knobs with M4 threaded stems.  
The filtering material may be washed and regenerated to maintain the rated filtering efficiency with limited charge leaks.
  - **The accessory kit comprises**
    - Load-bearing structure made of galvanised steel sheet
    - Removable cassette-type filter (to be pulled out like a drawer)
    - Self-tapping fixing screws

### Example for installation

(See figure 1)

- 1 FWN unit
- 2 Intake module with air filter

## DIMENSIONS

- Intake module with flat filter class EU 2 (See figure 2)
  - Standard unit (See figure 5)  
The dimensions mentioned on the left side are related to left-hand hydraulic attachments and the dimensions mentioned on the right side are related to right-hand hydraulic attachments.
- 1 6 fast-coupling slots
  - 2 Condensate discharge - horizontal installation
  - 3 Condensate discharge - vertical installation
  - 4 Hydraulic connections  
4 = standard heat exchanger  
4 DF = additional heat exchanger
  - 5 Air delivery
  - 6 Air intake  
6A = supply terms  
6B = changeable during installation
  - 7 Round pre-sheared element (Ø100 mm) for fresh air intake

## INSTALLATION



The FWN air conditioning and hot-air heating units may be installed either in horizontal or vertical position. Check that the desired installation complies with one of the pictures shown in figure 3 in which both possible configurations (AA or AB) are suitable to work for heating and cooling.



In normal operation, particularly with the fan at minimum speed and ambient air with high relative humidity, condensation may form on the air outlet and on some external parts of the unit. To avoid such issues while always remaining within the operating limits envisaged for the unit, it is necessary to limit the (average) temperature of the water inside the heat exchanger. In particular, the difference between the air dew point (TA,DP) and the average water temperature (TWM) must NOT exceed 14 °C, according to the following relationship:  $TW > TA, DP - 14$  °C

Example: in the case of ambient air at 25 °C with 75 % relative humidity, the dew point value is about 20 °C and, therefore, the average temperature of the water in the coil must be greater than  $20 - 14 = 6$  °C in order to avoid condensation issues. In the event the indoor unit is stopped for a prolonged period, with the fan stopped and circulation of cold water in the heat exchanger, condensation may also form on the unit's exterior. In this case it is advisable to install the 3-way (or 2-way) valve accessory in order to stop the flow of water in the coil when the fan is stopped.

### Horizontal or vertical installation

(See figure 3)

- AA** Inlet and outlet of air are in a straight line
- AB** Inlet of air is not in a straight line with the outlet of air

### Configuration of the unit

The units are always supplied in AA configuration, but the air inlet position may be changed during the installation.

Description of the kit (See figure 6)

- 1 Upper closing panel
- 2 Lower closing panel
- 3 Pre-sheared element for external air inlet
- 4 Centrifugal fans
- 5 Standard heat exchanger
- 6 Additional heat exchanger (DF)
- 7 Condensate tank for wall mounting (tube Ø3/8")
- 8 Condensate tank for ceiling mounting (tube Ø3/8")
- 9 Heat exchanger hydraulic attachments
- 10 Condensate discharge attachments
- 11 Terminal strip
- 12 Load-bearing structure

It is advisable to install any accessories on the standard equipment before positioning it, referring to the technical sheets.

The sections of the inlet and delivery pipes are rectangular and drilled with holes for fixing the available accessories. A round pre-sheared element (Ø100 mm) is present on both side panels of the unit for the direct inlet of fresh air.

If the installation differs from the supply terms, the layout must be changed by dismantling the unit as shown in figure 6.

It is possible to orient the exchanger's attachments on the opposite side as follows:

- 1 remove the upper and lower closing panels (1+2),
- 2 remove the condensate tank for the horizontal installation (8),
- 3 loosen the 4 fixing screws of the motor support, without unscrewing them all the way (7),
- 4 remove the heat exchanger (5) by unscrewing the 4 fastening screws, pull it out and turn it; eliminate the pre-sheared elements on the opposite side panel, re-insert the heat exchanger and tighten the screws,
- 5 reassemble the previously listed components,

- 6 stop the outlet holes of the previously used manifolds with anticondensing insulating material.

### Installing the unit

Fix the standard unit to the ceiling or wall using at least 4 of the 6 slots;

- **For horizontal installation (ceiling mounting)** it is advisable to use M8 threaded bars, screw anchors suitable for the unit's weight and to arrange for the positioning of the unit using 2 M8 bolts and a washer the diameter of which is suitable for inserting the slot and for then fixing the unit.

Before tightening the check nut, adjust the closing of the main nut so that the unit will slant correctly, i.e. for facilitating the discharging of the condensate (see figure 4).

The correct slant is achieved by tilting the inlet downwards as compared to the outlet until a difference in level of about 10 mm is obtained from one end to the other. Make the hydraulic connections with the heat exchanger and, for cooling operations, with the condensate discharge. Use one of the 2 drains of the auxiliary tank, visible on the outside of the unit's side panels (see figure 5): horizontal (tank) and vertical condensate discharge.

- **For vertical installations (wall mounting)**, fix the unit so that water flow out toward the condensate discharge used. A slant equivalent to a difference in level between the two side panels of about 5 mm is enough.

The two condensate discharge tubes of the main tank are located inside the side panels and may be accessed through a membrane type passage that should be perforated for passing the discharge tube through it.

It is advisable not to remove the aforesaid membrane type passage because it prevents the sharp edge of the hole on the side panel from damaging the condensate discharge tube over time.

- **To connect the unit to the condensate discharge line**, use a flexible rubber tube and fix it to the chosen discharge tube (Ø3/8") by means of a metal clamp (use the discharge that is located on the hydraulic attachments side).

To assist the draining of the condensate, slant the discharge tube downwards by at least 30 mm/m making sure that its entire route is clear and free from bends or blockages.

- **Installation of air filter.** For inlet, the filter module may be installed either in the same line as the outlet (configuration AA) or at 90° as compared to the unit (configuration AB). In the latter case the front lower closing panel must be moved by adjusting the 6 screws that fix it to the unit. The panel will then be installed at the bottom of the unit.

Both ends of the filtering module are drilled to match the holes on the intake inlet of the unit.

As such, it will be possible to couple the module to the unit and achieve, at the other end, a positioning of the holes that is identical to that of the intake inlet of the air handling unit.

The drilled holes at one end of the module are Ø5 mm; this is the part that is to be coupled directly to the unit.

At the other end the diameter of the holes is 3.5 mm to ensure that the screws, which will be used for fixing other parts (field supply) will be tight.

The overall dimensions are shown in figure 2.

- The installation of the filter module is schematically shown in:
    - figure 9: installation of filter intake modules on FWN with configuration AA.
    - figure 10: installation of filter intake modules on FWN with configuration AB.
- Use the self-tapping screws supplied with the kit.

#### A few rules to follow

- Purge the air from the heat exchanger, with pumps stopped, by means of the air valves located adjacent to the attachments of the heat exchanger itself.
- When implementing a duct type system, it is advisable to place vibration damping joints (field supply) between the channelling and the unit.
- If you wish to install an electrical resistance module (EDEH) as accessory, the delivery vibration damping joint should be heat resistant.
- The ducting, especially the delivery one, should be insulated with anti-condensing material.
- Provide an inspection panel adjacent to the equipment for the maintenance and cleaning operations.
- Install the control panel on the wall. Choose a position that is easy to access for the setting of the functions and for detecting of the temperature. Try to avoid positions that are directly exposed to sun rays, or positions subject to direct hot or cold air currents. Do not place obstacles in the way that would prevent the correct reading of the temperature.

## FIELD WIRING



All field wiring and components must be installed by a licensed electrician and must comply with relevant local and national regulations.

Carry out the electrical wiring after having turned the power off. For options, refer to the appropriate manual.

Check that the power supply corresponds to the nominal power supply stated on the unit nameplate.

Each unit requires a switch (IL) on the power supply with a distance of at least 3 mm between the opening contacts and a suitable safety fuse (F).

Power consumption is shown on the data plate fixed to the unit.

Make sure to carefully execute the wiring in function of the combination unit/controller and this according to the correct wiring diagram delivered with every accessory.

In order to make the electrical connections you must remove the lower closing panel (see figure 6) to access the terminal strip.

The power cables (power supply and control) must be routed to the terminal strip through the membrane passage that is on the side panel of the unit on the side opposite the hydraulic attachments.

Figure 7 shows the FWN wiring diagram without control panel.

The unit is equipped with an inverter board to control the motor, that makes it possible to precisely set the maximum rotation speed of the motor (control signal 0-10 V).

#### Wiring parts table (See figure 7)

L.....	Fase
⊖.....	Ground
N.....	Neutral
CN.....	Connector
F.....	Fuse (field supply)
IL.....	Line switch (field supply)
0-10V.....	Control signal
COM.....	Common signal control

## TEST RUN

Check that the equipment has been installed so that it guarantees the required slant.

Check that the condensate discharge is not clogged (by rubble deposits, etc.).

Check the seal of the hydraulic connections.

Check that the electrical wiring is perfectly tight (perform this check with voltage OFF).

Be sure that the air purge of the heat exchanger has been carried out correctly.

Turn on the power supply and check the unit running.

## USE

To use the unit, refer to the instructions in the installation and operation manual of the controller. Dedicated controllers are available as accessory.

## MAINTENANCE AND CLEANING

For safety reasons before carrying out any maintenance or cleaning operation, turn off the unit and cut the voltage by turning the line switch to OFF.

### Maintenance

The maintenance operations for the FWN air conditioner and hot-air heating units are limited to the periodic cleaning of the air filter and the heat exchanger, and the checking of the working efficiency of the condensate discharge.

Only skilled personnel may perform the maintenance.

Pay utmost attention during the maintenance operations: accidentally coming into contact with some of the metallic parts might cause injuries, therefore use safety work gloves.

Every time the units are started after a long idle period, make sure that air is NOT present in the heat exchanger.

The motor is maintenance-free since it is equipped with self-lubricating bearings.

### Cleaning the air filter

Cut voltage to the unit by turning the line switch to OFF.

For cleaning the air filter proceed as follows (see figure 6)

- Access the equipment through the inspection panel and remove the air filter as shown in figure 8 by unscrewing the fixing knobs.

- Otherwise, if the filter is inside the intake grid, remove the grid and carry out the operations described below.

(See figure 8)

- 1 Intake module with filter
- 2 Air filter, secured to the intake module by means of screws, it is pulled out like a drawer.

- Wash the filter with lukewarm water or, for dry powders, with compressed air.

- Reassemble the filter after having it dried up.

### Cleaning the heat exchanger

It is advisable to check the condition of the heat exchanger before the start of the summer season. Also check if the fins are not clogged by impurities.

To access the heat exchanger, remove the delivery panel and the condensate tank. Upon having accessed the heat exchanger, clean with compressed air or low pressure steam, without damaging the fins of the heat exchanger.

Before operating it in the summer, check the condensate discharges regularly.

#### NOTE



Adequate and regular maintenance and cleaning means energy conservation and cost saving.



## DISPOSAL REQUIREMENTS

Dismantling of the unit should be done in accordance with the relevant local and national regulations.

## TROUBLESHOOTING

If the unit does not work properly first check the points reported in the table below before requesting service.

If the problem cannot be solved contact your dealer or service centre.

### Symptom 1: The unit does not run at all

POSSIBLE CAUSES	CORRECTIVE ACTION
Power failure	Restore power
The automatic circuit breaker tripped	Contact service centre
The switch is on STOP ("0") position	Turn ON the unit, select "I"

### Symptom 2: Poor cooling or heating performance

POSSIBLE CAUSES	CORRECTIVE ACTION
Dirty or clogged air filter	Clean the air filter
Obstacle near the air inlet or outlet	Remove the obstacle
Air inside the heat exchanger	Contact the installer
Doors and windows are open	Close doors and windows
The unit is running at low speed	Select medium or high fan speed

### Symptom 3: The unit leaks

POSSIBLE CAUSES	CORRECTIVE ACTION
The unit is not installed with the correct inclination	Contact the installer
The condensate discharge is clogged	Contact the installer

Units are marked with the following symbol:



This means that electrical and electronic products may not be mixed with unsorted household waste. Do NOT try to dismantle the system yourself: the dismantling of the system, treatment of the refrigerant, of oil and of other parts must be done by an authorized installer and must comply with applicable legislation. Units must be treated at a specialized treatment facility for reuse, recycling and recovery. By ensuring this product is disposed of correctly, you will help to prevent potential negative consequences for the environment and human health. For more information, contact your installer or local authority.



Lesen Sie sich diese Anleitung sorgfältig durch, bevor Sie die Einheit in Betrieb nehmen. Werfen Sie sie nicht weg. Bewahren Sie sie so auf, so dass sie auch später noch darin nachschlagen können.

Unsachgemäße Installation oder Sicherung der Einheit oder der Zubehörteile kann zu elektrischem Schlag, Kurzschluss, Auslaufen von Flüssigkeit, Brand oder anderen Schäden führen. Achten Sie darauf, nur von Daikin hergestellte Zubehörteile zu verwenden, die spezifisch für den Gebrauch mit der Ausrüstung konstruiert wurden und lassen sie diese nur von einem Fachmann installieren.

Sollten Fragen zum Installationsverfahren oder zur Inbetriebnahme auftreten, wenden Sie sich bitte an Ihren Daikin-Händler. Von ihm erhalten Sie die notwendigen Ratschläge und Informationen.

## VOR DER INSTALLATION

Die Installation und Wartung sollte von technischem Personal durchgeführt werden, das für diese Art der Maschine qualifiziert ist, in Übereinstimmung mit den aktuellen Sicherheitsbestimmungen.

Prüfen Sie den Zustand der Einheit bei Erhalt, stellen Sie fest ob irgendwelche Beschädigungen während des Transports aufgetreten sind.

Siehe die entsprechenden technischen Datenblätter hinsichtlich Installation und der Verwendung möglicher Zubehörteile.

Vergleichen Sie die Angaben auf der Verpackungseinheit mit dem Modell und der Version der Einheit.

## VERWENDUNG UND FUNKTIONSEINSCHRÄNKUNGEN

Daikin kann nicht haftpflichtig gemacht werden

- wenn die Einheit von unqualifiziertem Personal installiert wurde
- wenn die Einheit unsachgemäß verwendet wurde,
- wenn die Einheit unter Bedingungen verwendet wurde, die nicht gestattet sind,
- wenn die Wartungsanweisungen, die in dieser Anleitung spezifiziert werden, nicht durchgeführt wurden,
- wenn keine Original Ersatzteile verwendet wurden.

Lassen Sie die Einheit in ihrer Verpackung, bis sie installiert werden kann, um zu verhindern, dass Staub eindringen kann.

Luft, die von der Einheit angesaugt wird, muss immer gefiltert werden. Verwenden Sie immer den mitgelieferten Luftfilter.

Wenn die Einheit während des Winters nicht genutzt wird, entwässern Sie das System, um Schäden zu vermeiden, die durch die Bildung von Eis verursacht werden. Wenn Frostschutzlösungen verwendet werden, prüfen Sie bitte den Gefrierpunkt.

Verändern Sie nicht die Innenverdrahtung oder andere Teile der Einheit.

Betriebseinschränkungen werden nachfolgend angezeigt, weitere Verwendungen gelten als unsachgemäß.

- Wärmebehälter: Wasser/Glykol
- Wassertemperatur: 5°C–95°C
- Maximaler Betriebsdruck: 10 bar
- Lufttemperatur: –20°C~43°C
- Spannungstoleranz: ±10%
- Grenzwert relative Luftfeuchtigkeit der Raumluft: RH<85% nicht kondensierend

Auswahl des Installationsortes:

Für die Klimatisierung der Raumluft und für den Einsatz für Anwendungen im

Bereich Zivilkomfort entwickelt

- Installieren Sie die Einheit nicht in Räumen, in denen entzündliche Gase vorherrschen.
- Spritzen Sie kein Wasser direkt auf die Einheit,
- Installieren Sie die Einheit an Decken oder Wänden, die das Gewicht der Einheit tragen können. Lassen Sie für die Bedienung und Wartung ausreichend Platz um die Einheit herum, berücksichtigen Sie sämtliche installierten Sonderzubehöre.
- Stellen Sie das Heizgerät niemals direkt unter einer elektrischen Steckfassung auf.

## BESCHREIBUNG DER AUSTRÜSTUNG

Der FWD Bereich der Klimatisierung und Heißluft-Heizgeräte wurden eingebaut für Klimaräume, welche die Installation von angeschlossenen Einheiten erfordern.

### Hauptkomponenten

- **Traggestell** hergestellt aus galvanisiertem Stahlblech passender Stärke, ordnungsgemäß mit geräuscharmem Schwitzwasserisolierungsmaterial, selbstlöschend der Klasse 1. Zusammen mit Inspektionsblenden.
- **Ventilatoreinheit** mit einzelem oder dualem Ventilatorrad, dualem Zentrifugaleinlass, mit statisch und dynamisch ausgeglichenen Flügelrädern, direkt an den Elektromotor gekoppelt mit Permanentmagnetmotor. Die Einheit ist mit Inverterkarte zur Kontrolle des Motors ausgestattet, die eine präzise Einstellung der Drehgeschwindigkeit des Motors erlaubt (Steuersignal 0-10 V).
- **Klemmenleiste.**
- **Wärmetauscher:** hoher Leistungsgrad, hergestellt aus Kupferrohr und Aluminiumrippen, die an den Rohren durch mechanische Ausdehnung geschützt sind. Sie sind mit Messingsammelrohren befestigt und enthalten Luftventile. Der Wärmetauscher, der üblicherweise mit Zubehörteilen für die linke Seite geliefert wird, kann um 180° gedreht werden.
- **System zum Auffangen und Ableiten von Kondensat,** Ausstattung entweder für Decken- oder Wandmontage. Alle Modelle des FWN Bereichs können entweder horizontal oder vertikal installiert werden.
- **Luftleinlassmodul mit Luftfilter**
  - **Luftleinlassmodul**  
Hergestellt aus galvanisiertem Stahlblech Diese Module lassen zu, dass die Luft, die durch die Einheit aufgesaugt wird, gefiltert wird und auch um die Einheit an den Einlasskanal anzuschließen.
  - **Luftfilter**  
Hergestellt aus Acryl, selbstlöschend Kategorie 1, mit Filterklasse EU 2. Der Filter kann eingefügt oder entfernt werden und wird befestigt mittels 2 Drehknöpfen mit Gewindespindel M4. Das Filtermaterial kann gewaschen und aufbereitet werden, um die Nennfilterleistung mit begrenztem Austritt an Füllmenge aufrechtzuerhalten.
  - **Der Zubehörsatz** umfasst
    - Traggestell hergestellt aus galvanisiertem Stahlblech
    - Herausnehmbarer Kassettenfilter (kann wie eine Schublade herausgezogen werden)
    - Blechbefestigungsschrauben

### Installationsbeispiel

(Siehe Abbildung 1)

- 1 FWN Einheit
- 2 Luftleinlassmodul mit Luftfilter

## ABMESSUNGEN

- Lufteinlassmodule mit Flachfilter, Klasse EU 2 (Siehe Abbildung 2)
  - Standardeinheit (Siehe Abbildung 5)  
Die Maße, die links aufgeführt sind, beziehen sich auf die linksseitigen Hydraulikzubehörteile, die rechts aufgeführten, auf die rechtsseitigen Hydraulikzubehörteile.
- 1 6 Schnellkopplungsschlitze
  - 2 Kondensatablauf – horizontale Installation
  - 3 Kondensatablauf – vertikale Installation
  - 4 Hydraulikanschlüsse  
4 = Standardwärmetauscher  
4 DF = Zusatzwärmetauscher
  - 5 Luftzufuhr
  - 6 Lufteinlass  
6A = Versorgungsbedingungen  
6B = kann während der Installation geändert werden
  - 7 Rundes, vorgeschchnittenes Element (Ø100 mm) für Frischlufteinlass

## INSTALLATION



Die Klimaanlage FWN und Heißluft-Heizgeräte können entweder horizontal oder vertikal installiert werden. Prüfen Sie, ob die gewünschte Installation mit einer der Abbildungen übereinstimmt, wie in Abbildung 3 dargestellt, dabei sind beide möglichen Konfigurationen (AA oder AB) geeignet für Heizen und Kühlen.



Während des normalen Betriebs kann es insbesondere bei mit Mindestgeschwindigkeit laufendem Lüfter und bei Raumluft mit hoher relativer Feuchtigkeit zur Bildung von Kondensat am Luftauslass und an einigen Außenteilen des Geräts kommen. Zum Vermeiden dieser Erscheinung muss die (mittlere) Wassertemperatur im Wärmetauscher-offensichtlich innerhalb der für das Gerät vorgesehenen Grenzwerte begrenzt werden. Insbesondere darf die Differenz zwischen der Taupunkttemperatur der Luft (TA,DP) und der mittleren Wassertemperatur (TWM) gemäß folgender Gleichung NICHT 14 °C überschreiten:  $TW > TA, DP - 14 \text{ °C}$

Beispiel: Bei einer Raumtemperatur von 25 °C bei einer relativen Luftfeuchtigkeit von 75% entspricht die Taupunkttemperatur ca. 20 °C und folglich muss die mittlere Wassertemperatur im Registerhöher als  $20 - 14 = 6 \text{ °C}$  sein, um Kondensatbildung zu vermeiden. Bei einem längeren Stillstand des Peripheriegeräts bei stillstehendem Lüfter und Kaltwasserzirkulation im Wärmetauscher besteht die Möglichkeit, dass sich auch auf der Außenseite des Geräts Kondensat bildet. In diesem Fall ist es empfehlenswert, das als Zubehör angebotene 3-Wege-Ventil (oder 2-Wege-Ventil) zu installieren, um den Wasserfluss im Register zu unterbrechen, wenn der Lüfter stillsteht.

### Horizontale oder vertikale Installation

(Siehe Abbildung 3)

- AA Lufteinlass und -auslass sind in einer geraden Linie
- AB Der Lufteinlass ist nicht linear mit dem Luftauslass

### Konfiguration der Einheit

Die Einheiten werden immer in der Konfiguration AA geliefert, aber die Position des Lufteinlasses kann während der Installation geändert werden.

Beschreibung des Bausatzes (Siehe Abbildung 6)

- 1 Obere Verschlussblende
- 2 Untere Verschlussblende
- 3 Vorgeschchnittenes Element für externen Lufteinlass
- 4 Zentrifugalventilatoren
- 5 Standardwärmetauscher
- 6 Zusatzwärmetauscher (DF)
- 7 Kondensatbehälter für die Wandmontage (Rohr Ø3/8")
- 8 Kondensatbehälter für die Deckenmontage (Rohr Ø3/8")
- 9 Wärmetauscher Hydraulikzubehörteile
- 10 Zubehörteile für Kondensatablauf
- 11 Klemmenleiste
- 12 Traggestell

Es ist ratsam, alle Zubehörteile an der Standardausrüstung zu installieren, bevor Sie diese positionieren, siehe technische Datenblätter.

Die Abschnitte des Lufteinlass und der Auslassrohre sind rechteckig und mit Bohrlochern versehen zur Befestigung der vorhandenen Zubehörteile. Ein rundes, vorgeschchnittenes Element (Ø100 mm) ist auf beiden Seitenblenden der Einheit vorhanden für direkten Einlass frischer Luft.

Wenn die Installation sich von den Anschlussbezeichnungen unterscheidet, muss die Ausstattung durch Demontage der Einheit geändert werden, siehe Abbildung 6. Es ist möglich, die Zubehörteile des Wärmetauschers auf der gegenüberliegenden Seite wie folgt auszurichten:

- 1 entfernen Sie die oberen und unteren Verschlussblenden (1+2)
- 2 entfernen Sie den Kondensattank für die horizontale Installation (8),
- 3 lösen Sie die 4 Befestigungsschrauben der Motorabstützung ohne sie völlig zu lösen (7),
- 4 entfernen Sie den Wärmetauscher (5), indem Sie die 4 Befestigungsschrauben lösen, ziehen Sie ihn heraus und drehen Sie ihn, beseitigen Sie die vorgeschrittenen Elemente auf der gegenüberliegenden Seitenblende, fügen Sie den Wärmetauscher wieder ein und ziehen Sie die Schrauben an.
- 5 montieren Sie die zuvor aufgeführten Komponenten wieder,
- 6 stopfen Sie die Auslassbohrungen der zuvor verwendeten Sammelleitungen mit Schwitzwasserisolierung.

### Installieren der Einheit

Befestigen Sie die Standardeinheit an der Decke oder Wand mithilfe von mindestens 4 der 6 Einbauschlitze,

■ Für die horizontale Installation (Deckenmontage) ist es ratsam, M8 Gewindestäbe sowie Ankerschrauben zu verwenden, die für das Gewicht der Einheit geeignet sind und dafür zu sorgen, dass die Einheit mithilfe von 2 M8 Schrauben und einer Unterlegscheibe, deren Durchmesser geeignet ist für das Einführen des Einbauschlitzes, positioniert wird. Befestigen Sie dann die Einheit.

Bevor Sie die Kontermutter anziehen, stellen Sie den Verschluss der Hauptmutter ein, so dass die Einheit sich korrekt neigt, d.h. um den Ablauf des Kondensats zu erleichtern (siehe Abbildung 4).

Die korrekte Neigung wird erzielt, indem der Einlass nach unten geneigt wird im Vergleich zum Auslass, bis ein Höhenunterschied von über 10 mm von einem Ende zum anderen erzielt wird. Stellen Sie die Hydraulikanschlüsse mit dem Wärmetauscher und für Kühlbetrieb mit dem Kondensatauslauf her. Verwenden Sie eine der 2 Abflüsse des Hilfstanks, welche zu sehen sind an der Aussenseite der Seitenblende der Einheit (siehe Abbildung 5): horizontaler (Tank) und vertikaler Kondensatablauf.

■ Für vertikale Installationen (Wandmontage), befestigen Sie die Einheit, so dass Wasser in Richtung des verwendeten Kondensatauslauf ausströmen kann. Eine Neigung, äquivalent zu einem Höhenunterschied zwischen den beiden Seitenblenden von mehr als 5 mm ist ausreichend.

Die beiden Kondensatauslaufrohre des Haupttanks befinden sich an der Innenseite der Seitenblenden und sind zugänglich durch einen Membrandurchlass, der perforiert sein sollte, um das Auslaufrohr hindurchführen zu können.

Es ist ratsam, den zuvor genannten Membrandurchlass nicht zu entfernen, weil er verhindert, dass die scharfe Kante der Bohrung an der Seitenblende das Kondensatauslaufrohr mit der Zeit beschädigt.

■ Um die Einheit an der Kondensatauslaufleitung anzuschließen, verwenden Sie ein flexibles Gummrohr und befestigen sie es an dem gewählten Auslaufrohr (Ø3/8") mittels einer Metallklemme (verwenden Sie den Auslauf, der sich an der Seite der Hydraulikzubehörteile befindet).

Um das Entleeren des Kondensats zu unterstützen, neigen Sie das Auslaufrohr nach unten um mindestens 30 mm/m, achten Sie darauf, dass die gesamte Strecke leer und frei ist von Krümmungen oder Verstopfungen.

■ Installation des Luftfilters. Das Filtermodul kann für den Einlauf entweder in gleicher Höhe installiert werden wie der Auslauf (Konfiguration AA) oder bei 90° im Vergleich zur Einheit (Konfiguration AB). Im letzteren Fall, muss die vordere, untere Verschlussblende verschoben werden, indem die 6 Schrauben eingestellt werden, die sie an der Einheit befestigen. Die Blende wird dann unten an der Einheit montiert.

Beide Enden des Filtermoduls sind ausgebohrt, um den Bohrungen am Einlasseinlauf der Einheit zu entsprechen.

Deshalb, ist es möglich das Modul an die Einheit zu koppeln und am anderen Ende eine Positionierung der Bohrungen zu erzielen, die identisch sind mit denjenigen des Einlasseinlaufs des Luftbehandlungsgeräts.

Die Bohrungen am einen Ende des Moduls betragen Ø5 mm; dies ist der Teil, der direkt an die Einheit gekoppelt werden muss.

Bei der anderen Seite beträgt der Bohrdurchmesser 3,5 mm, um sicherzustellen, dass die Schrauben, die für die Befestigung des anderen Teils (bauseitig) fest angezogen sind.

Das Gesamtmaß ist abgebildet in Abbildung 2.

- Die Installation des Filtermoduls ist schematisch abgebildet in:
    - Abbildung 9: Installation des Lufterlassmoduls an FWN mit Konfiguration AA.
    - Abbildung 10: Installation des Filtereinlassmoduls an FWN mit Konfiguration AB.
- Verwenden Sie die Blechschrauben, die mit dem Bausatz geliefert wurden.

### Ein paar Regeln, die befolgt werden müssen

- Entlüften Sie den Wärmetauscher mit gestoppten Pumpen, mittels der Luftventile, die direkt neben den Anbauteilen des Wärmetauschers positioniert sind.
- Bei der Einführung eines Kanalsystems, ist es ratsam die Vibrationsdämpfungsanschlüsse (bauseitig) zwischen Kanal und Einheit zu positionieren.
- Wenn Sie ein elektrisches Widerstandsmodul (EDEH) gegebenenfalls installieren möchten, so muss der Förder-Vibrationsdämpfungsanschluss hitzebeständig sein.
- Die Kanäle, insbesondere der Förderkanal, sollte mit Schwitzwasserisolation isoliert werden.
- Sehen Sie eine Inspektionsblende direkt neben der Ausrüstung vor, für Wartungs- und Reinigungsvorgänge.
- Montieren Sie die Fernbedienung an der Wand. Wählen Sie eine Position, die leicht zugänglich ist für die Einstellung der Funktionen und zur Erkennung der Temperaturen. Vermeiden Sie möglichst Positionen, die direkter Sonnenbestrahlung oder direkten kalten oder heißen Luftströmungen ausgesetzt sind. Legen Sie keine Hindernisse in den Weg, welche die korrekte Ablesung der Temperatur verhindern.

## BAUSEITIGE VERKABELUNG



Sämtliche bauseitigen Verdrahtungen und Bauteile müssen von einem zugelassenen Elektriker installiert werden und den entsprechenden örtlichen und staatlichen Vorschriften entsprechen.

Führen Sie die elektrische Verkabelung durch, nachdem Sie den Strom abgeschaltet haben. Ausführliche Informationen bezüglich der Zubehörteile, finden Sie im entsprechenden Handbuch.

Überprüfen Sie, ob die Stromzufuhr der Nennstromzufuhr entspricht, die auf dem Typenschild der Einheit angegeben ist.

Jede Einheit benötigt einen Schalter (IL) an der Stromversorgung mit einem Abstand von mindestens 3 mm zwischen den Öffnungskontakten und einer geeigneten Sicherung (F).

Der Stromverbrauch ist auf dem Typenschild abgebildet, das an der Einheit befestigt ist.

Achten Sie darauf, dass Sie die Verkabelung in Bezug auf die Kombination Einheit/Regler sorgfältig ausführen und gemäß den korrekten Verdrahtungsplänen, die mit jedem Zubehör geliefert werden.

Um die elektrischen Anschlüsse vorzunehmen, müssen Sie die untere Verschlussblende entfernen (siehe Abbildung 6), um Zugang zu haben zur Klemmleiste.

Die Stromkabel (Stromversorgung und Zufuhr) müssen zur Klemmleiste verlegt werden durch den Membrandurchgang, der sich auf der Seitenblende der Einheit an der gegenüberliegenden Seite der Hydraulikzubehörteile befindet.

Abbildung 7 zeigt den FWN Verdrahtungsplan ohne Fernbedienung.

Die Einheit ist mit Inverterkarte zur Kontrolle des Motors ausgestattet, die eine präzise Einstellung der Drehgeschwindigkeit des Motors erlaubt (Steuersignal 0-10 V).

### Verkabelung - Teileübersicht (Siehe Abbildung 7)

L.....	Phase
⊖.....	Erde
N.....	Neutral
CN.....	Stecker
F.....	Sicherung (bauseitig)
IL.....	Netzschalter (bauseitig)
0-10V.....	Steuersignal
COM.....	Gemeinsam Steuersignal

## PROBELAUF

Prüfen Sie, ob das Gerät installiert wurde, so dass es die erforderliche Neigung sicherstellt.

Prüfen Sie, ob der Kondensatablauf nicht verstopft ist (durch Gummiablagerungen, etc.)

Prüfen Sie die Dichtung der Hydraulikanschlüsse.

Prüfen Sie, ob die elektrische Verkabelung fehlerfrei dicht schließend ist (prüfen Sie dies wenn die Spannung AUS ist).

Achten Sie darauf, dass die Entlüftung des Wärmetauschers korrekt ausgeführt wurde.

Schalten Sie die Stromversorgung an und prüfen Sie, ob die Einheit läuft.

## VERWENDUNG

Beziehen Sie sich bezüglich der Verwendung der Einheit, auf die Anweisungen in der Installations- und Betriebsanleitung des Reglers. Spezielle Regler sind als Zubehör erhältlich.

## WARTUNG UND REINIGUNG

Bevor Sie irgendwelche Wartungs- und Reinigungsarbeiten durchführen, schalten Sie die Einheit aus Sicherheitsgründen aus und trennen Sie die Spannung, indem Sie den Netzschalter auf AUS stellen.

### Wartung

Die Wartungsarbeiten für die FWD Klimaanlage und Heißluft-Heizgeräte sind begrenzt auf die periodische Reinigung der Luftfilter und des Wärmetauschers und auf die Überprüfung der Arbeitsleistung des Kondensatauslasses.

Die Wartung darf nur von Fachpersonal durchgeführt werden.

Wartungsarbeiten erfordern besondere Beachtung: das versehentliche in Kontakt kommen mit den Metallteilen kann zu Verletzungen führen, tragen Sie deshalb Sicherheitshandschuhe.

Jedesmal wenn die Einheiten nach einer langen Leerlaufzeit gestartet werden, achten Sie darauf, dass sich KEINE Luft im Wärmetauscher befindet.

Der Motor ist wartungsfrei, da er mit selbstschmierenden Lagern ausgerüstet ist.

### Reinigen des Luftfilters

Schalten Sie die Spannung an der Einheit ab, indem Sie den Netzschalter auf AUS stellen.

Gehen Sie wie folgt vor bei der Reinigung der Luftfilter (siehe Abbildung 6)

- Das Gerät ist zugänglich durch die Inspektionsblende zur Entfernung des Luftfilters, wie abgebildet in Abbildung 8 indem die Befestigungsköpfe losgeschraubt werden.

- Ansonsten, wenn der Filter sich innen am Einlaufgitter befindet, entfernen Sie das Gitter und führen die nachstehenden Arbeiten durch.

(Siehe Abbildung 8)

- 1 Lufteinlassmodul mit Filter
- 2 Luftfilter, am Einlassmodul mittels Schrauben gesichert, er wird wie eine Schublade herausgezogen.

- Waschen Sie den Filter mit handwarmem Wasser, oder bei trockenem Pulver, mit Druckluft.
- Montieren Sie den Filter wieder, nachdem Sie ihn abgetrocknet haben.

## Reinigung des Wärmetauschers

Es ist ratsam, den Zustand des Wärmetauschers vor Beginn der Sommerperiode zu überprüfen. Prüfen Sie ebenfalls, ob die Rippen nicht durch Verschmutzungen verstopft sind.

Für den Zugang zum Wärmetauscher, müssen die Zufuhrblende und der Kondensattank entfernt werden. Sobald der Wärmetauscher zugänglich ist, reinigen Sie mit Druckluft oder Niederdruckdampf, ohne die Rippen des Wärmetauschers zu beschädigen.

Bevor Sie diesen im Sommer betreiben, prüfen Sie die Kondensatausläufe regelmäßig.

**NOTE**



Angemessene und regelmäßige Wartung sowie Reinigung bedeutet Energieerhaltung und Kostenersparnis.

## VORSCHRIFTEN ZUR ENTSORGUNG

Die Demontage der Einheit muss gemäß den jeweiligen örtlichen und staatlichen Vorschriften erfolgen.

## FEHLERBESEITIGUNG

Wenn die Einheit nicht ordnungsgemäß funktioniert, überprüfen Sie zunächst die Punkte die in nachfolgender Tabelle aufgeführt sind, bevor Sie den Wartungsdienst anfordern.

Wenn das Problem nicht gelöst werden kann, nehmen Sie Kontakt auf zu Ihrem Händler oder Servicezentrale.

### Symptom 1: Die Einheit läuft überhaupt nicht

MÖGLICHE URSACHEN	ABHILFE
Stromausfall	Stellen Sie die Stromzufuhr wieder her
Der automatische Stromabschalter hat ausgelöst	Nehmen Sie Kontakt auf mit der Servicezentrale
Der Schalter ist in der STOP ("0") Stellung	Schalten Sie die Einheit EIN, wählen Sie "I"

### Symptom 2: Geringe Kühl- oder Heizleistung

MÖGLICHE URSACHEN	ABHILFE
Verschmutzte oder verstopfte Luftfilter	Reinigen Sie den Luftfilter
Hindernis nahe dem Lufteinlass oder -auslass	Beseitigen Sie das Hindernis
Luft innerhalb des Wärmetauschers	Nehmen Sie Kontakt auf mit dem Installateur
Türen und Fenster sind geöffnet	Schließen Sie Türen und Fenster
Die Einheit läuft mit niedriger Drehzahl	Wählen Sie mittlere oder hohe Ventilator-drehzahl

### Symptom 3: Die Einheit ist nicht dicht

MÖGLICHE URSACHEN	ABHILFE
Die Einheit ist nicht mit der korrekten Neigung installiert	Nehmen Sie Kontakt auf mit dem Installateur
Der Kondensatauslauf ist verstopft	Nehmen Sie Kontakt auf mit dem Installateur

Einheiten sind mit folgendem Symbol gekennzeichnet:



Dies bedeutet, dass elektrische und elektronische Produkte nicht mit unsortiertem Hausmüll vermengt werden darf. Versuchen Sie NICHT das System selbst zu demontieren: die Demontierung des Systems, die Behandlung des Kühlmittels, des Öls und anderer Teile muss von einem autorisierten Installateur durchgeführt werden und muss mit den anwendbaren Gesetzen übereinstimmen. Die Einheiten müssen in speziellen Behandlungsanlagen für die Wiederverwendung, Recycling und Rückgewinnung aufbereitet werden. Durch Sicherstellung einer korrekten Entsorgung dieses Produkts können Sie dazu beitragen, mögliche negative Konsequenzen für die Umwelt und für die menschliche Gesundheit vorzubeugen. Für weitere Informationen wenden Sie sich an Ihren Installateur oder an die örtlichen Behörden.



Lire attentivement ce manuel avant de faire démarrer l'unité. Ne pas le jeter. Le conserver dans vos dossiers pour une utilisation ultérieure.

Une installation ou une fixation incorrecte de l'équipement ou des accessoires peut provoquer une électrocution, un court-circuit, des fuites, un incendie ou endommager l'équipement. Veiller à utiliser uniquement des accessoires fabriqués par Daikin spécifiquement conçus en vue d'une utilisation avec l'équipement et à les faire installer par un professionnel.

En cas de doute quant aux procédures d'installation ou d'utilisation, prendre toujours contact avec votre concessionnaire Daikin pour tout conseil et information.

## AVANT L'INSTALLATION

L'installation et la maintenance devront être confiées à un personnel technique qualifié pour ce type de machine conformément aux réglementations actuelles en matière de sécurité.

Lorsque vous recevez l'unité, veuillez en contrôler l'état, vérifiez si elle n'a pas été endommagée pendant le transport.

Reportez-vous aux fiches techniques appropriées pour l'installation et l'utilisation des éventuels accessoires.

Identifiez le modèle et la version de l'unité sur la base des indications figurant sur l'emballage de carton.

## LIMITES D'UTILISATION ET DE FONCTIONNEMENT

Daikin ne pourra être tenu responsable

- si l'unité a été installée par un personnel non-qualifié;
- si l'unité n'a pas été utilisée correctement;
- si l'unité a été utilisée dans des conditions non-autorisées;
- si les opérations de maintenance spécifiées dans le présent manuel n'ont pas été réalisées;
- si des pièces de rechange qui ne sont pas d'origine ont été utilisées.

Conservez l'unité dans son emballage jusqu'à ce qu'elle soit prête à être installée afin d'éviter que des poussières ne pénètrent à l'intérieur.

L'air aspiré par l'unité doit toujours être filtré. Toujours utiliser le filtre à air fourni.

Si l'unité n'est pas utilisée pendant l'hiver, évacuez l'eau du système afin d'éviter tout dommage provoqué par la formation de glace. Si des substances antigel sont utilisées, contrôlez-en le point de congélation.

Ne modifiez pas le câblage interne ou d'autres pièces de l'unité.

Les limites de fonctionnement sont présentées ci-dessous; toutes les autres utilisations sont considérées comme impropres:

- support thermique: eau/glycol
- température de l'eau: 5°C~95°C
- pression de service maximum: 10 bar
- température de l'air: -20°C~43°C
- tolérance de tension: ±10%
- Limite d'humidité relative de l'air ambiant : HR<85% sans condensation

Sélection d'un emplacement :Appareils conçus pour la climatisation de l'air ambiant et destinés à être installés pour des applications de confort civil.

- ne pas installer l'unité dans des locaux où des gaz inflammables sont présents
- ne pas pulvériser de l'eau directement sur l'unité;
- installer l'unité sur des plafonds ou des murs qui supportent son poids. Laisser autour de l'unité suffisamment d'espace pour permettre un fonctionnement et un entretien corrects en tenant compte de tous les accessoires en option installés.
- ne jamais placer l'unité chauffante directement sous une prise de courant.

## DESCRIPTION DE L'ÉQUIPEMENT

La gamme d'unités de conditionnement d'air et de chauffage à air chaud FWN a été implémentée pour le conditionnement de locaux nécessitant l'installation d'unités canalisées.

### Principaux composants

- **Structure de support de charge** fabriqué en tôle d'acier galvanisé d'épaisseur appropriée, dûment isolé avec un matériel insonorisé/anti-condensation, auto-extincteur de classe 1. Complet avec panneaux d'inspection.
- **Ventilateur** avec simple ou double tourniquet de ventilateur, type centrifuge à double entrée, avec hélices équilibrées statiquement et dynamiquement, couplées directement au moteur électrique à aimants permanents. L'unité est équipée de carte inverter de contrôle du moteur, permettant un réglage précis de la vitesse de rotation du moteur (signal de contrôle 0-10 V).
- **Barrette de raccordement.**
- **Echangeur thermique:** de grande efficacité, composé d'un tube de cuivre et d'ailettes d'aluminium fixés aux tubes par expansion mécanique. Ils sont pourvus de collecteurs de laiton et contiennent les soupapes d'air. L'échangeur thermique, normalement fourni avec des fixations à gauche, peut pivoter sur 180°.
- **Système pour récupérer et évacuer l'eau condensée,** configuration pour montage au plafond ou au mur. Tous les modèles de la gamme FWN peuvent être installés tant en position horizontale qu'en position verticale.
- **Module d'admission d'air avec filtre à air**
  - **Module d'admission d'air**  
Fabriqué en tôle d'acier galvanisée ces modules permettent de filtrer l'air aspiré par l'unité ainsi que de connecter l'unité à la canalisation d'admission.
  - **Filtre à air**  
Fabriqué en matériau acrylique, auto-extincteur de classe 1, avec filtrage classe EU 2.  
Le filtre peut être inséré ou retiré et est fixé à l'aide de 2 boutons avec tiges filetées M4.  
Le matériel de filtrage peut être lavé et régénéré pour conserver l'efficacité de filtrage nominale avec des fuites de charge limitées.
  - **Le kit d'accessoires** comprend
    - Structure de support de charge fabriquée en tôle d'acier galvanisée
    - Filtre de type cassette amovible (à retirer comme un tiroir)
    - Vis de fixation autotaraudeuses

### Exemple d'installation

(Voir la figure 1)

- 1 Unité FWN
- 2 Module d'admission d'air avec filtre à air

## DIMENSIONS

■ Module d'admission avec filtre plat classe EU 2 (Voir la figure 2)

■ Unité standard (Voir la figure 5)

Les dimensions mentionnées sur le côté gauche correspondent aux fixations hydrauliques de gauche et les dimensions mentionnées sur le côté droit correspondent aux fixations hydrauliques de droite.

- 1 6 fentes à accouplement fixe
- 2 Evacuation de l'eau de condensation - installation horizontale
- 3 Evacuation de l'eau de condensation - installation verticale
- 4 Connexions hydrauliques  
4 = échangeur thermique standard  
4 DF = échangeur thermique supplémentaire
- 5 Sortie d'air
- 6 Admission d'air  
6A = conditions de livraison  
6B = modifiable en cours d'installation
- 7 Élément cylindrique pré-cisaillé (Ø100 mm) pour admission d'air frais

## INSTALLATION



Les unités de conditionnement d'air et de chauffage à air chaud FWN peuvent être installées tant en position horizontale que verticale. Assurez-vous que l'installation désirée soit conforme à l'un des schémas présentés à la figure 3 où les deux configurations possibles (AA ou AB) sont adaptées au fonctionnement pour le chauffage et la refroidissement.



En fonctionnement normal, en particulier quand le ventilateur est à la vitesse minimum et quand l'humidité relative de l'air ambiant est élevée, il est possible que de la condensation se forme sur le refoulement d'air et sur certaines parties de la structure externe de l'appareil. Pour prévenir de tels phénomènes, en respectant dans tous les cas les limites de fonctionnement de l'appareil, il est nécessaire de limiter la température (moyenne) de l'eau présente dans l'échangeur. En particulier, il est nécessaire que l'écart entre la température de rosée de l'air (TA, DP) et la température moyenne de l'eau (TWM) NE SOIT PAS supérieure à 14°C, conformément au rapport suivant :  $TW > TA, DP - 14 \text{ °C}$

Exemple : si la température de l'air ambiant est de 25°C avec 75% d'humidité relative, la température de rosée est d'environ 20°C et, conséquemment, la température moyenne de l'eau dans la batterie doit être supérieure à  $20 - 14 = 6 \text{ °C}$  afin de prévenir la formation de condensation. En cas d'arrêt prolongé de l'unité, avec ventilateur à l'arrêt et circulation d'eau froide dans l'échangeur, il est possible que de la condensation se forme également à l'extérieur de l'appareil. Dans ce cas, il est recommandé d'installer l'accessoire vanne à 3 voies (ou à 2 voies) de façon à pouvoir couper le flux d'eau dans la batterie quand le ventilateur est à l'arrêt

### Installation horizontale ou verticale

(Voir la figure 3)

- AA L'entrée et la sortie d'air sont en ligne droite
- AB L'entrée d'air n'est pas en ligne droite avec la sortie d'air

### Configuration de l'unité

Les unités sont toujours fournies en configuration AA, mais la position de l'arrivée d'air peut être modifiée en cours d'installation.

Description du kit (Voir la figure 6)

- 1 Panneau de fermeture supérieur
- 2 Panneau de fermeture inférieur
- 3 Élément pré-cisaillé pour l'arrivée d'air extérieur
- 4 Ventilateurs centrifuges
- 5 Echangeur thermique standard
- 6 Echangeur thermique supplémentaire (DF)
- 7 Récipient d'eau de condensation pour montage mural (tube Ø3/8")
- 8 Récipient d'eau de condensation pour montage au plafond (tube Ø3/8")
- 9 Fixations hydrauliques de l'échangeur thermique

- 10 Fixations de l'évacuation d'eau de condensation
- 11 Barrette de raccordement
- 12 Structure de support de charge

Nous vous recommandons d'installer les accessoires sur l'équipement standard avant de le positionner en vous reportant aux fiches techniques.

Les sections des tuyaux d'arrivée et de sortie sont rectangulaires et percées de trous pour la fixation des accessoires disponibles. Un élément cylindrique pré-cisaillé (Ø100 mm) est présent sur les deux panneaux latéraux de l'unité pour l'arrivée directe d'air frais.

Si l'installation diffère des conditions de livraison, il convient de modifier la configuration en démontant l'unité comme illustré à la figure 6.

Il est possible d'orienter les fixations de l'échangeur vers le côté opposé de la façon suivante:

- 1 retirez les panneaux de fermeture supérieurs et inférieurs (1+2);
- 2 retirez le récipient d'eau de condensation pour l'installation horizontale (8);
- 3 desserrez les 4 vis de fixation du support du moteur sans les dévisser tout à fait (7);
- 4 retirez l'échangeur thermique (5) en dévissant les 4 vis de fixation, extrayez-le et tournez-le; éliminez les éléments pré-cisaillés sur le panneau latéral opposé, réinsérez l'échangeur thermique et serrez les vis;
- 5 remontez les composants mentionnés plus haut;
- 6 obturez les trous de sortie des collecteurs précédemment utilisés à l'aide d'un matériau isolant anti-condensation.

### Installation de l'unité

Fixez l'unité standard au plafond ou au mur à l'aide au moins de 4 des 6 fentes;

■ **Pour l'installation horizontale (montage au plafond)** nous recommandons d'utiliser des tiges filetées M8, des ancrages à vis adaptés au poids de l'unité et d'aménager le positionnement de l'unité à l'aide de 2 boulons M8 et d'une rondelle dont le diamètre est adapté pour l'insertion dans la fente et pour ensuite fixer l'unité.

Avant de serrer le contre-écrou, ajustez la fermeture de l'écrou principal de façon à ce que l'unité soit correctement inclinée, à savoir pour faciliter l'évacuation de l'eau de condensation (reportez-vous à la figure 4).

On réalise l'inclinaison correcte en basculant l'entrée vers le bas par rapport à la sortie jusqu'à obtenir une différence de niveau d'environ 10 mm d'un bout à l'autre. Réalisez les connexions hydrauliques avec l'échangeur thermique et, pour les opérations de refroidissement, avec l'évacuation de l'eau de condensation. Utilisez l'une des 2 conduites d'évacuation du réservoir auxiliaire, visible sur l'extérieur des panneaux latéraux de l'unité (reportez-vous à la figure 5): évacuation d'eau de condensation horizontale (réservoir) et verticale.

■ **Pour les installations verticales (montage mural)**, fixez l'unité de façon à ce que l'eau coule vers l'évacuation d'eau de condensation utilisée. Une inclinaison équivalant à une différence de niveau entre les deux panneaux latéraux d'environ 5 mm est suffisante.

Les deux tubes d'évacuation d'eau de condensation du réservoir principal se trouvent à l'intérieur des panneaux latéraux et on peut y accéder par un passage de type membrane qui devrait être perforé pour faire passer le tube d'évacuation au travers.

Nous vous conseillons de ne pas enlever le passage de type membrane susmentionné parce qu'il permet d'éviter que le bord tranchant du trou sur le panneau latéral n'endommage le tube d'évacuation d'eau de condensation au bout d'un certain temps.

■ **Pour connecter l'unité à la canalisation d'évacuation d'eau de condensation**, utilisez un tuyau de caoutchouc flexible et fixez-le à la conduite d'évacuation choisie (Ø3/8") à l'aide d'une pince métallique (utilisez l'évacuation qui se trouve sur le côté des fixations hydrauliques).

Pour aider l'évacuation de l'eau de condensation, inclinez le tuyau d'évacuation vers le bas d'au moins 30 mm/m en vous assurant que tout le chemin suivi est libre et ne présente ni courbes ni blocages.

■ **Installation du filtre à air.** Pour l'entrée, le module à filtre peut être monté sur la même canalisation que la sortie (configuration AA) ou à 90° par rapport à l'unité (configuration AB). Dans le deuxième cas, le panneau de fermeture inférieur frontal doit être déplacé par le réglage des 6 vis qui le fixent à l'unité. Le panneau est alors installé au bas de l'unité.

Les deux extrémités du module de filtrage sont forées pour correspondre aux trous sur l'entrée d'admission de l'unité.

Ainsi, il sera possible de coupler le module à l'unité et de réaliser, à l'autre extrémité, un positionnement des trous identique à celui de l'entrée d'admission de l'unité de traitement de l'air.

Les trous forés à une extrémité du module sont des trous de Ø5 mm; c'est la partie qui doit être couplée directement à l'unité.

À l'autre extrémité, le diamètre des trous est de 3,5 mm pour s'assurer que les vis, qui seront utilisées pour la fixation d'autres parties (non fournies) seront étanches.

Les dimensions générales sont présentées à la figure 2.

■ On trouvera le schéma de l'installation du module à filtre dans les figures:

- figure 9: installation des modules d'entrée à filtre sur FWN avec configuration AA.
- figure 10: installation des modules d'entrée à filtre sur FWN avec configuration AB.

Utilisez les vis autotaraudeuses fournies avec le kit.

## Quelques règles à suivre

- Purgez l'air de l'échangeur thermique, avec les pompes à l'arrêt, à l'aide des vannes d'air situées à côté des fixations de l'échangeur thermique lui-même.
- Lorsque vous installez un système de type canalisé, nous vous conseillons de placer des joints amortisseurs de vibrations (non fournis) entre la canalisation et l'unité.
- Si vous souhaitez installer un module de résistance électrique (EDEH) comme accessoire, le joint amortisseur de vibration de sortie doit être résistant à la chaleur.
- La canalisation, spécialement celle de sortie, devrait être isolée avec un matériau anti-condensation.
- Prévoyez un panneau d'inspection à côté de l'équipement pour les opérations de maintenance et de nettoyage.
- Installez le tableau de commande sur le mur. Choisissez une position facile d'accès pour le réglage des fonctions et la détection de la température. Essayez d'éviter les positions exposées directement aux rayons du soleil ou des positions soumises à des courants d'air chaud ou froid directs. Ne placez pas d'obstacles sur le chemin qui vous empêcheraient de lire correctement la température.

## CÂBLAGE LOCAL



Tous les câbles et éléments à prévoir sur place doivent être installés par un électricien agréé et doivent être conformes aux réglementations locales et nationales en vigueur.

Procéder au câblage électrique après avoir coupé l'alimentation. Pour les détails, référez-vous au manuel d'entretien.

Assurez-vous que l'alimentation électrique corresponde à l'alimentation nominale figurant sur la plaque d'identification de l'unité.

Chaque unité requiert un commutateur (IL) sur l'alimentation avec une distance d'au moins 3 mm entre les contacts d'ouverture et un fusible de sécurité adéquat (F).

La consommation d'énergie est mentionnée sur la plaque de données fixée sur l'unité.

Veillez à réaliser le câblage avec précaution en fonction de la combinaison unité/contrôleur et ceci, conformément au diagramme de câblage correct fourni avec chaque accessoire.

Pour établir les connexions électriques, vous devez retirer le panneau de fermeture inférieur (reportez-vous à la figure 6) pour avoir accès à la barrette de raccordement.

Les câbles d'alimentation (alimentation et commande) doivent être acheminés vers la barre de raccordement par le passage de type membrane qui se trouve sur le panneau latéral de l'unité sur le côté opposé aux fixations hydrauliques.

Figure 7 représente le schéma de câblage du modèle FWN sans tableau de commande.

L'unité est équipée de carte inverter de contrôle du moteur, permettant un réglage précis de la vitesse de rotation du moteur (signal de contrôle 0-10 V).

## Câblage – liste des pièces (Voir la figure 7)

L.....	Phase
⊖.....	Terre
N.....	Neutre
CN.....	Connecteur
F.....	Fusible (non fourni)
IL.....	Sectionneur principal (non fourni)
0-10V.....	Signal de commande
COM.....	Commun signal de commande

## ESSAI DE FONCTIONNEMENT

Assurez-vous que l'équipement a été installé de façon à garantir l'inclinaison requise.

Assurez-vous que l'évacuation d'eau de condensation n'est pas bouchée (par des décombres, dépôts, etc.).

Vérifiez l'étanchéité des connexions hydrauliques.

Assurez-vous que le câblage électrique est parfaitement étanche (réaliser ce contrôle HORS tension).

Assurez-vous que l'air de l'échangeur de chaleur a été purgé correctement.

Branchez l'alimentation et vérifiez le fonctionnement de l'unité.

## UTILISATION

Pour utiliser l'unité, reportez-vous aux instructions du manuel d'installation et de fonctionnement du contrôleur. Des contrôleurs dédiés sont disponibles comme accessoires.

## MAINTENANCE ET NETTOYAGE

Pour des raisons de sécurité, avant d'effectuer des opérations de maintenance ou de nettoyage, débranchez l'unité et coupez la tension en mettant le sectionneur principal sur OFF.

### Maintenance

Les opérations de maintenance pour les unités de conditionnement d'air et de chauffage à air chaud FWN se limitent au nettoyage périodique du filtre à air et de l'échangeur thermique ainsi qu'au contrôle de l'efficacité de fonctionnement de l'évacuation de l'eau de condensation.

Seul un personnel qualifié est autorisé à effectuer la maintenance.

Au cours des opérations de maintenance, accordez plus d'attention aux points suivants: le contact accidentel avec certaines pièces métalliques peut causer des blessures, pour cette raison, portez des gants de protection.

Chaque fois que les unités sont remises en service après une période prolongée d'inutilisation, assurez-vous qu'il n'y a PAS d'air dans l'échangeur thermique.

Le moteur ne nécessite aucune maintenance puisqu'il est équipé de coussinets à graissage automatique.

### Nettoyage du filtre à air

Coupez la tension vers l'unité en mettant le sectionneur principal sur OFF.

Pour nettoyer le filtre à air, procédez comme suit (reportez-vous à la figure 6)

- Accédez à l'équipement au travers du panneau d'inspection et retirez le filtre à air en dévissant les boutons de fixation comme illustré à la figure 8.
- Sinon, si le filtre est à l'intérieur de la grille d'admission, retirez la grille et effectuez les opérations comme décrit ci-dessous.



(Voir la figure 8)

- 1 Module d'admission d'air avec filtre
- 2 Filtre à air, fixé au module d'admission à l'aide de vis, il se retire comme un tiroir.

- Lavez le filtre avec de l'eau tiède ou, en cas de poussières sèches, nettoyez le filtre à l'air comprimé.
- Remontez le filtre après l'avoir essuyé.

## Nettoyage de l'échangeur thermique

Nous vous conseillons de contrôler l'état de l'échangeur thermique avant le début de l'été. Vérifiez également si les ailettes ne sont pas encrassées par des impuretés.

Pour accéder à l'échangeur thermique, retirez le panneau de sortie et le réservoir d'eau de condensation. Lorsque vous avez accès à l'échangeur thermique, nettoyez à l'air comprimé ou à la vapeur à basse pression, sans endommager les ailettes de l'échangeur thermique.

Avant de le faire fonctionner en été, vérifiez régulièrement l'évacuation de l'eau de condensation.

**NOTE** Une maintenance et un nettoyage adéquats et réguliers représentent une économie d'énergie et une réduction des coûts.

## EXIGENCES EN MATIÈRE D'ENLÈVEMENT

Le démontage de l'unité doit être effectué conformément aux réglementations locales et nationales.

## DÉPANNAGE

Si l'unité ne fonctionne pas correctement, contrôlez d'abord les points figurant dans le tableau ci-dessous avant de demander un entretien.

Si le problème ne peut être résolu, prenez contact avec votre concessionnaire ou centre d'entretien.

### Symptom 1: L'unité ne marche pas du tout

CAUSES POSSIBLES	MESURE CORRECTIVE
Panne d'électricité	Rétablir le courant
Le disjoncteur automatique s'est déclenché	Prenez contact avec le centre d'entretien
Le commutateur est en position STOP ("0")	Mettez l'unité sous tension, sélectionnez "I"

### Symptom 2: Performance de refroidissement ou de chauffage médiocre

CAUSES POSSIBLES	MESURE CORRECTIVE
Filtre à air sale ou bouché	Nettoyez le filtre à air
Obstacle à proximité de l'arrivée ou de la sortie d'air	Retirez l'obstacle
Air à l'intérieur de l'échangeur thermique	Prenez contact avec l'installateur
Les portes et fenêtres sont ouvertes	Fermez portes et fenêtres
L'unité fonctionne à faible vitesse	Sélectionnez la vitesse de ventilateur moyenne ou élevée

### Symptom 3: L'unité présente une fuite

CAUSES POSSIBLES	MESURE CORRECTIVE
L'inclinaison de l'unité n'est pas correcte	Prenez contact avec l'installateur
L'évacuation d'eau de condensation est bouchée	Prenez contact avec l'installateur

Les symboles suivants sont appliqués sur les unités:



Cela signifie que les produits électriques et électroniques ne doivent pas être éliminés avec les déchets ménagers non triés. NE démanteler PAS l'installation vous-même, le traitement du réfrigérant, de l'huile et d'autres composants doit être confié à un installateur agréé et doit être effectué conformément aux législations en vigueur. Les unités doivent être traitées dans un centre spécialisé de collecte, de recyclage et de réutilisation. En vous assurant que ce produit est bien éliminé correctement, vous contribuez à la prévention des conséquences négatives potentielles pour l'environnement et la santé. Pour plus d'informations, contactez votre installateur ou l'autorité locale compétente.



Lees deze handleiding aandachtig vooraleer de unit op te starten. Gooi ze niet weg. Bewaar ze voor latere naslag.

Een verkeerde installatie of bevestiging van apparatuur of toebehoren kan een elektrische schok, kortsluiting, lekken, brand of andere schade aan de apparatuur veroorzaken. Gebruik alleen accessoires van Daikin die specifiek voor dit toestel zijn ontworpen en laat ze installeren door een professionele installateur.

Raadpleeg bij twijfel over de installatieprocedures of het gebruik altijd uw Daikin-verdeler voor advies en informatie.

## VOORAFGAAND AAN DE INSTALLATIE

De installatie en onderhoud moeten worden uitgevoerd door technisch personeel dat bevoegd is voor dit type van toestel, en in overeenstemming met de geldende veiligheidsvoorschriften.

Controleer de staat van het toestel bij ontvangst, en kijk na of het tijdens het transport geen schade heeft opgelopen.

Zie de overeenkomstige technische fiches voor de montage en het gebruik van eventuele accessoires.

Identificeer het model en de versie van het toestel aan de hand van de informatie op het karton.

## GEbruik EN BEDRIJFSBEPERKINGEN

Daikin is niet aansprakelijk

- als het toestel werd geïnstalleerd door onbevoegd personeel,
- als het toestel verkeerd werd gebruikt,
- als het toestel onder omstandigheden is gebruikt die niet zijn toegelaten,
- als de in deze handleiding beschreven onderhoudswerkzaamheden niet zijn uitgevoerd,
- als niet-originele reserveonderdelen zijn gebruikt.

Laat het toestel in de verpakking tot alles klaar is voor de installatie (dit voorkomt dat stof binnenin het toestel terecht komt).

De door de unit aangezogen lucht moet altijd gefilterd zijn. Gebruik altijd het bijgeleverde luchtfilter.

Als de unit in de winter niet wordt gebruikt, moet u het water uit het systeem afdalen om schade door opvriezing te voorkomen. Controleer het vriespunt als u antivriesoplossingen gebruikt.

Verander de interne bedrading of andere onderdelen van de unit niet.

Hieronder vindt u de bedrijfsbeperkingen; alles wat hierbuiten valt, valt onder verkeerd gebruik:

- thermische geleider: water/glycol
- watertemperatuur: 5°C~95°C
- maximale bedrijfsdruk: 10 bar
- luchttemperatuur: -20°C~43°C
- spanningsafwijking: ±10%
- Relatieve vochtigheidslimiet van de omgevingslucht: RH<85% zonder condensvorming

Keuze van de montageplaats:

Apparaten ontworpen voor de klimaatbeheersing van de omgevingslucht, bestemd voor gebruik in civiele comforttoepassingen

- installeer het toestel niet in een ruimte met ontvlambare gassen
- zorg ervoor dat er geen water rechtstreeks op het toestel spat;
- monteer het toestel alleen op plafonds of muren die het gewicht kunnen dragen. Voorzie voldoende ruimte rondom het toestel voor een juist gebruik en onderhoud van het toestel, en houd hierbij rekening met alle geïnstalleerde accessoires in optie.
- zet het verwarmingstoestel nooit recht onder een stopcontact.

## BESCHRIJVING VAN DE UITRUSTING

De airconditioning- en warmeluchtverwarmingsunits van de FWN-reeks zijn ontworpen voor ruimtes waarin wordt gewerkt met units met kanaalaansluitingen.

### Hoofdonderdelen

- **Dragende structuur** uit verzinkte staalplaat met een bepaalde dikte, geïsoleerd met geluiddempend/anticondensatiemateriaal, zelfdovend klasse 1. Compleet met inspectiepanelen.
- **Ventilatorunit** met enkelvoudig of dubbel ventilatorwiel, centrifugaal type met dubbele aanzuigopening, met statisch en dynamisch gebalanceerde waaiers, rechtstreeks gekoppeld aan de elektrische motor met permanente magneten. De eenheid is voorzien van een inverterkaart die de motor regelt en een precieze instelling van de rotatiesnelheid van de motor mogelijk maakt (controlesignaal 0-10 V).
- **Klemmenstrook**.
- **Warmtewisselaar**: hoge efficiëntie, uit koperen buis en aluminium lamellen door mechanische expansie bevestigd op de buizen. Voorzien van messing verdeelstukken en met luchtkleppen. De warmtewisselaar wordt normaal geleverd met aansluitingen aan de linkerkant, maar kan 180° worden gedraaid.
- **Systeem voor opvang en afvoer van condensaat**, installatie voor plafond- of muurmontage. Alle modellen van de FWN-reeks kunnen horizontaal of verticaal worden geïnstalleerd.
- **Luchtaanzuigmodule met luchtfilter**
  - **Luchtaanzuigmodule**  
Verzinkte staalplaat. Via deze modules wordt de lucht die de unit aanzuigt gefilterd en kan de unit worden aangesloten op de luchtaanzuigkanalen.
  - **Luchtfilter**  
Acrylmateriaal, zelfdovend klasse 1, filterklasse EU 2.  
Het filter kan worden verwijderd en is bevestigd met 2 knoppen met een M4-schroefdraad.  
Het filtermateriaal kan worden gewassen en geregenereerd om de nominale filtercapaciteit te behouden met beperkte lekken.
- **De accessoirekit omvat**
  - Dragende structuur uit verzinkte staalplaat
  - Verwijderbaar filter van het cassettype (uit te trekken zoals een lade)
  - Zelftappende bevestigingsschroeven

### Installatievoorbeeld

(Zie afbeelding 1)

- 1 FWN-unit
- 2 Aanzuigmodule met luchtfilter

## AFMETINGEN

- Aanzuigmodule met plat filter klasse EU 2 (Zie afbeelding 2)
- Standaardunit (Zie afbeelding 5)  
De afmetingen aan de linkerkant zijn voor hydraulische aansluitingen aan de linkerkant; de afmetingen aan de rechterkant zijn voor hydraulische aansluitingen aan de rechterkant.

- 1 6 gleuven met snelkoppeling
- 2 Condensaatafvoer - horizontale installatie
- 3 Condensaatafvoer - verticale installatie
- 4 Hydraulische aansluitingen  
4 = standaardwarmtewisselaar  
4 DF = extra warmtewisselaar
- 5 Luchtaanvoer
- 6 Luchtaanzuiging  
6A = leveringsvoorwaarden  
6B = kan worden gewijzigd bij de installatie
- 7 Rond op voorhand nagesneden element (Ø100 mm) voor verseluchtaanzuiging

## MONTAGE



De airconditioning- en warmeluchtverwarmingsunits van de FWN-reeks kunnen horizontaal of verticaal worden geïnstalleerd. Controleer of de gewenste installatie overeenstemt met één van de afbeeldingen in afbeelding 3, waarin beide mogelijke configuraties (AA of AB) geschikt zijn voor verwarmen en koelen.



Bij de normale werking en met name met de ventilator op de minimumsnelheid en een omgevingslucht met een hoge relatieve vochtigheid, kan condens ontstaan op de luchtuitrede en bepaalde delen van de uitwendige structuur van het apparaat. Om dergelijke fenomenen te vermijden en het apparaat desondanks binnen de voor het apparaat voorziene bedrijfslimieten te houden, moet de (gemiddelde) temperatuur van het water in de warmtewisselaar beperkt worden. Het verschil tussen de druppeltemperatuur van de lucht (TA, DP) en de gemiddelde watertemperatuur (TWM) mag NIET groter zijn dan 14 °C volgens de volgende verhouding:  $TW > TA, DP - 14 \text{ °C}$

Voorbeeld: bij omgevingslucht met een temperatuur van 25°C en een relatieve vochtigheid van 75% is de druppeltemperatuur gelijk aan 20 °C en dus moet het water in de warmtewisselaar een gemiddelde temperatuur hebben die hoger is dan  $20 - 14 = 6 \text{ °C}$  om te voorkomen dat condens kan ontstaan. Bij een lange stilstand van de unit, met stilstaande ventilator en de circulatie van koud water in de warmtewisselaar, kan ook op de buitenkant van het apparaat condens ontstaan. In dit geval wordt geadviseerd om een 3-wegklep (of 2-wegklep) te installeren zodat de waterstroom in de warmtewisselaar onderbroken kan worden wanneer de ventilator niet werkt.

### Horizontale of verticale installatie

(Zie afbeelding 3)

- AA Inlaat en uitlaat van lucht liggen in een rechte lijn
- AB Inlaat van lucht ligt niet in een rechte lijn met de uitlaat van lucht

### Configuratie van de unit

De units worden altijd in de AA-configuratie geleverd, maar de luchtinlaatpositie kan bij de installatie worden gewijzigd.

Beschrijving van de set (Zie afbeelding 6)

- 1 Bovenste afdekpaneel
- 2 Onderste afdekpaneel
- 3 Op voorhand nagesneden element voor externe luchtinlaat
- 4 Centrifugale ventilatoren
- 5 Standaardwarmtewisselaar
- 6 Extra warmtewisselaar (DF)
- 7 Condensaattank voor muurmontage (buis Ø3/8")
- 8 Condensaattank voor plafondmontage (buis Ø3/8")
- 9 Hydraulische aansluitingen warmtewisselaar
- 10 Aansluitingen condensaatafvoer

- 11 Klemmenstrook
- 12 Dragende structuur

Installeer best eventuele accessoires op de standaarduitrusting vóór de installatie, en gebruik hiervoor de technische fiches.

De inlaat- en aanvoerleidingen zijn rechthoekig en voorzien van gaten voor de beschikbare accessoires. Aan beide zijpanelen van de unit is een op voorhand nagesneden element (Ø100 mm) voorzien voor de rechtstreekse aanzuiging van verse lucht.

Als de installatie verschilt van de leveringsvoorwaarden, moet de layout worden veranderd door de unit te demonteren zoals getoond in afbeelding 6.

De aansluitingen van de warmtewisselaar kunnen als volgt naar de andere kant worden gedraaid:

- 1 verwijder de bovenste en onderste afdekpanelen (1 + 2),
- 2 verwijder de condensaattank voor de horizontale installatie (8),
- 3 draai de 4 bevestigingsschroeven van de motorsteun los, maar zonder de schroeven er helemaal uit te draaien (7),
- 4 verwijder de warmtewisselaar (5) door de 4 bevestigingsschroeven los te draaien, trek hem naar buiten en draai hem; verwijder de op voorhand nagesneden elementen in het paneel aan de andere kant, en plaats de warmtewisselaar terug en schroef de schroeven vast,
- 5 monteer de eerder vermelde componenten weer,
- 6 sluit de uitlaatopeningen van de eerder gebruikte verdeelstukken met anticondenserend isolatiemateriaal.

### Montage van de unit

Bevestig de standaardunit tegen het plafond of de muur met minstens 4 van de 6 gleuven;

- Voor horizontale installatie (plafondmontage) gebruikt u best M8-schroefstangen, schroefankers die het gewicht van de unit kunnen dragen; voorzie in de positionering van de unit met 2 M8-bouten en een ring met een diameter die past voor de gleuf en dan voor het bevestigen van de unit.

Voor u de contraoer vastdraait moet u de hoofdmoer zodanig vastdraaien dat de unit goed hangt, d.w.z. zodanig dat het condensaat goed kan worden afgevoerd (zie afbeelding 4).

De juiste helling wordt bereikt door de inlaat naar beneden te laten aflopen t.o.v. de uitlaat tot een hoogteverschil van ongeveer 10 mm tussen de twee uiteinden. Voer de hydraulische aansluitingen met de warmtewisselaar uit en, voor koeltoepassingen, met de condensaatafvoer. Gebruik één van de 2 afvoeren van de hulptank die zichtbaar zijn aan de buitenkant van de zijpanelen van de unit (zie afbeelding 5): horizontale (tank) en verticale condensaatafvoer.

- Voor verticale installaties (muurmontage) bevestigt u de unit zodanig dat water via de condensaatafvoer wordt afgevoerd. Een helling die overeenstemt met een niveauverschil van 5 mm tussen de twee zijpanelen volstaat.

De twee condensaatafvoerpijpen van de hoofdunit zitten in de zijpanelen en zijn bereikbaar via een doorgang van het membraantype die moet worden geperforeerd om er de afvoerpijp doorheen te steken.

Verwijder deze doorgang van het membraantype niet omdat hij voorkomt dat de scherpe rand van het gat in het zijpaneel na verloop van tijd de condensaatafvoerpijp zou beschadigen.

- Om de unit aan te sluiten op de condensaatafvoerleiding, gebruikt u een rubberslang die u met een metalen klem op de geselecteerde afvoerpijp (Ø3/8") bevestigt (gebruik de afvoer aan de kant van de hydraulische aansluitingen).

Om de condensaat beter af te voeren, laat u de afvoerpijp minstens 30 mm/m aflopen en zorgt u ervoor dat ze over de volledige lengte vrij is van bochten of verstoppingen.

- Installatie van het luchtfilter. Voor de inlaat kan de filtermodule in dezelfde lijn als de uitlaat worden geïnstalleerd (AA-configuratie) of in een hoek van 90° t.o.v. de unit (AB-configuratie). In het laatste geval moet het onderste afdekpaneel vooraan worden verplaatst door de 6 schroeven los te draaien. Het paneel wordt dan aan de onderkant van de unit geïnstalleerd.

Aan weerszijden van de filtermodule zijn gaten geboord die overeenstemmen met de gaten in de aanzuiginlaat van de unit.

Op deze manier kan de module aan de unit worden gekoppeld en stemmen de gaten overeen met die in de aanzuiginlaat van de luchtbehandelingsunit.

De geboorde gaten aan één kant van de module hebben een diameter van 5 mm; dit is het deel dat rechtstreeks op de unit wordt gekoppeld.

Aan de andere kant hebben de gaten een diameter van 3,5 mm om ervoor te zorgen dat de schroeven waarmee de andere onderdelen (lokaal te voorzien) worden bevestigd, vast zullen zitten.

De algemene afmetingen vindt u in afbeelding 2.

■ De installatie van de filtermodule wordt schematisch weergegeven in:

- afbeelding 9: installatie van filteraanzuigmodules op FWN met AA-configuratie.
- afbeelding 10: installatie van filteraanzuigmodules op FWN met AB-configuratie.

Gebruik de zelftappende schroeven die bij de kit worden geleverd.

## Enkele voorschriften

- Ontlucht de warmtewisselaar, met de pompen stilgelegd, via de luchtkleppen naast de aansluitingen van de warmtewisselaar.
- Bij een systeem van het kanaaltipe brengt u best trillingsdempende verbindingen (lokaal te voorzien) aan tussen de kanalen en de unit.
- Als u een module met elektrische weerstand (EDEH) als accessoire wilt installeren, moet de trillingsdempende verbinding van de aanvoer warmtebestendig zijn.
- De kanalen, en vooral de aanvoerkanalen, moeten met anticonderend materiaal geïsoleerd zijn.
- Voorzie een inspectiepaneel naast de apparatuur voor onderhouds- en reinigingswerkzaamheden.
- Monteer het bedieningspaneel op de muur. Kies een positie die goed toegankelijk is voor het instellen van de functies en voor het aflezen van de temperatuur. Vermijd zo goed mogelijk plaatsen die rechtstreeks zijn blootgesteld aan de zon of rechtstreekse koude of warme luchtstromingen. Zet geen voorwerpen in de weg waardoor de temperatuur niet goed kan worden afgelezen.

## BEDRADING TER PLAATSE



Een erkend elektricien moet instaan voor het uitvoeren van de lokale bedrading en monteren van de onderdelen. Dit moet overeenkomstig de lokale en nationale voorschriften gebeuren.

Schakel het toestel uit voordat u de elektrische bedrading uitvoert. Raadpleeg de overeenkomstige handleiding voor opties.

Controleer of de voeding overeenstemt met de nominale voeding aangegeven op het typeplaatje van de unit.

Voor elke unit moet een schakelaar (IL) voorzien zijn op de voeding met een afstand van minstens 3 mm tussen de opencontacten en een geschikte zekering (F).

Het stroomverbruik is aangegeven op het gegevensplaatje op de unit.

Voer de bedrading zorgvuldig uit afhankelijk van de combinatie unit/controller in overeenstemming met het juiste bedradingsschema dat bij elk accessoire wordt meegeleverd.

Om de elektrische aansluitingen tot stand te brengen moet u het onderste afdekpaneel verwijderen (zie afbeelding 6) voor toegang tot de klemmenstrook.

De stroomkabels (voeding en besturing) moeten via de membraandoorgang in het zijpaneel van de unit aan de andere kant van de hydraulische aansluitingen naar de klemmenstrook worden geleid.

Op afbeelding 7 ziet u het FWN-bedradingsschema zonder bedieningspaneel. De eenheid is voorzien van een inverterkaart die de motor regelt en een precieze instelling van de rotatiesnelheid van de motor mogelijk maakt (controlesignaal 0-10 V).

## Bedrading - onderdeelentabel (Zie afbeelding 7)

L.....	Fase
⊖.....	Grond
N.....	Neutrale
CN.....	Connector
F.....	Zekering (lokaal aan te kopen)
IL.....	Lijnschakelaar (lokaal aan te kopen)
0-10V.....	Controle signaal
COM.....	Gemeenschappelijk controle signaal

## UITVOEREN VAN EEN TEST

Controleer of het toestel met de vereiste afloop is geïnstalleerd.

Controleer of de condensaatafvoer niet verstopt is (stukken steen, e.d.).

Controleer de dichtheid van de hydraulische aansluitingen.

Controleer of de elektrische bedrading stevig is aangesloten (voer deze controle uit met de stroom UIT).

Zorg ervoor dat de warmtewisselaar goed ontlucht is.

Schakel de stroom in en controleer of het toestel werkt.

## IN GEBRUIK

Zie de instructies in de montage- en gebruiksaanwijzing van de controller voor het gebruik van de unit. Specifieke controllers zijn verkrijgbaar als accessoire.

## ONDERHOUD EN REINIGING

Om veiligheidsredenen moet u vóór onderhouds- of reinigingswerkzaamheden de unit uitschakelen en de stroom onderbreken door de lijnschakelaar op OFF te zetten.

### Onderhoud

De onderhoudswerkzaamheden van de FWN-airconditioner en warmeluchtverwarmingsunits zijn beperkt tot het regelmatig reinigen van het luchtfilter en de warmtewisselaar, en de controle van de werking van de condensaatafvoer.

Het onderhoud mag alleen worden uitgevoerd door bevoegd personeel.

Wees heel voorzichtig bij de onderhoudswerkzaamheden: draag veiligheidshandschoenen omdat u zich zou kunnen verwonden aan sommige metalen onderdelen.

Telkens de units na een lange periode van stilstand worden opgestart, moet u controleren dat er GEEN lucht in de warmtewisselaar zit.

De motor is onderhoudsvrij aangezien hij uitgerust is met zelfsmurende lagers.

### Reinigen van het luchtfilter

Onderbreek de stroom naar de unit door de lijnschakelaar op OFF te zetten.

Ga als volgt te werk om het luchtfilter schoon te maken (afbeelding 6)

■ Via het inspectiepaneel kunt u aan de apparatuur; verwijder het luchtfilter zoals afgebeeld op afbeelding 8 door de bevestigingsknoppen los te draaien.

■ Als het filter in het aanzuigrooster zit, moet u het rooster verwijderen en de hierna beschreven stappen uitvoeren.

(Zie afbeelding 8)

- 1 Aanzuigmodule met filter
- 2 Het luchtfilter, met schroeven op de aanzuigmodule bevestigd, wordt naar buiten getrokken zoals een lade.


- Was het filter met lauw water of, in het geval van droog poeder, met perslucht.
- Laat het filter drogen en monteer het opnieuw.

## Reinigen van de warmtewisselaar

Controleer de warmtewisselaar voor het begin van het zomerseizoen. Controleer tevens of de lamellen niet verstopt zijn.

Verwijder het aanvoerpaneel en de condensaat tank zodat u aan de warmtewisselaar kunt. Maak de warmtewisselaar schoon met perslucht of stoom onder lage druk zonder de lamellen van de warmtewisselaar te beschadigen.

Controleer de condensaat afvoer regelmatig voordat u de unit in de zomer gebruikt.

**NOTE**  Correct en regelmatig onderhoud en reinigen werkt energiebesparend en voorkomt dure reparaties.

## EISEN BIJ HET ONTMANTELEN

Het ontmantelen van de unit moet gebeuren in overeenstemming met de relevante lokale en nationale reglementeringen.

## STORINGSOPSPORING

Als de unit niet goed werkt, controleer dan eerst de punten in de tabel hierna voordat u service vraagt.

Neem contact op met uw dealer of servicecentrum als het probleem niet kan worden opgelost.

### Symptom 1: De unit doet het helemaal niet

MOGELIJKE OORZAKEN	WAT TE DOEN
Stroompanne	Repareer de stroompanne
Automatische onderbreker geactiveerd	Neem contact op met het servicecentrum
De schakelaar staat op STOP ("0")	Schakel de unit IN, zet de schakelaar op "I"

### Symptom 2: Slechte koel- of verwarmingsprestaties

MOGELIJKE OORZAKEN	WAT TE DOEN
Vuil of verstopt luchtfilter	Maak het luchtfilter schoon
Obstakel bij de luchtinlaat of -uitlaat	Verwijder het obstakel
Lucht in de warmtewisselaar	Neem contact op met de installateur
Deuren en vensters staan open	Sluit de deuren en vensters
De unit draait op lage snelheid	Selecteer middelmatige of hoge ventilatorsnelheid

### Symptom 3: De unit lekt

MOGELIJKE OORZAKEN	WAT TE DOEN
De unit is niet met de juiste helling geïnstalleerd	Neem contact op met de installateur
De condensaat afvoer is verstopt	Neem contact op met de installateur

De eenheden zijn gemarkeerd met het volgende symbool:



Dit betekent dat elektrische en elektronische producten niet mogen worden gemengd met niet-gesorteerd huishoudelijk afval. NIET proberen het systeem zelf te ontmantelen: de ontmanteling van het systeem, de behandeling van het koelmiddel, de olie en de andere onderdelen moet worden uitgevoerd door een erkende installatietechnicus en moet voldoen aan de toepasselijke wetgeving. De eenheden moeten worden behandeld in een gespecialiseerde verwerkingsinstallatie voor hergebruik, recycling en terugwinning. Door ervoor te zorgen dat dit product correct wordt verwijderd, draagt u uw steentje bij om milieubederf en schade aan de gezondheid te voorkomen. Neem voor verdere informatie contact op met uw installatietechnicus of de lokale overheid.



Lea detenidamente este manual antes de arrancar la unidad. No lo tire. Manténgalo en sus archivos para futuras consultas.

La instalación o colocación inadecuada del equipo o accesorios podría causar electrocución, cortocircuito, fugas, incendio u otros daños al equipo. Asegúrese de utilizar únicamente accesorios fabricados por Daikin, que están diseñados específicamente para su uso con el equipo y haga que los monte un instalador profesional.

En caso de duda sobre los procedimientos de instalación o uso del equipo solicite siempre consejo e información de su distribuidor Daikin.

## ANTES DE LA INSTALACIÓN

La instalación y el mantenimiento deberían ser realizados por personal técnico cualificado para este tipo de máquinas, conforme a la normativa de seguridad actual.

Al recibir la unidad compruebe su estado y verifique cualquier posible daño ocurrido durante el transporte.

Consulte las hojas técnicas relevantes para la instalación y el uso de posibles accesorios.

Identifique el modelo y la versión de la unidad a partir de las indicaciones que aparecen en el embalaje.

## USO Y LÍMITES OPERATIVOS

Daikin no se hace responsable

- si la unidad ha sido instalada por personal no cualificado,
- si la unidad ha sido utilizada indebidamente,
- si la unidad ha sido utilizada bajo condiciones no permitidas,
- si no se han realizado las operaciones de mantenimiento especificadas en este manual,
- si no se han utilizado piezas de recambio originales.

Mantenga la unidad dentro de su embalaje hasta el momento de la instalación, para evitar que se introduzca polvo en su interior.

El aire aspirado por la unidad debe filtrarse siempre. Utilice siempre el filtro de aire suministrado.

Si la unidad no se utiliza durante el invierno, vacíe el agua del sistema para prevenir daños ocasionados por la formación de escarcha. Si utiliza anticongelante, compruebe el punto de congelación.

No modifique el cableado interno ni otras partes de la unidad.

A continuación aparecen los límites operativos; cualquier otro uso se considera indebido:

- fluido térmico: mezcla agua/glicol
- temperatura del agua: 5°C~95°C
- máxima presión operativa: 10 bar
- temperatura del aire: -20°C~43°C
- tolerancia del voltaje: ± 10%
- Límite de humedad relativa del aria del ambiente: RH < 85% sin condensación

Selección del emplazamiento: Aparatos diseñados para la climatización del aire ambiental y destinados a ser utilizados en aplicaciones de confort civil

- no instale la unidad en salas con presencia de gases inflamables
- impida las salpicaduras directas de agua en la unidad;
- instale la unidad en techos o paredes que soporten su peso. Deje suficiente espacio alrededor de la unidad para permitir una adecuada operación y mantenimiento de la misma, teniendo en cuenta todos los accesorios opcionales instalados.
- nunca coloque la unidad calefactora directamente debajo de un enchufe eléctrico.

## DESCRIPCIÓN DEL EQUIPO

La gama FWN de unidades de aire acondicionado y de calefacción por aire caliente ha sido diseñada para acondicionar las salas que requieren instalación de unidades con conductos.

### Componentes principales

- **Estructura portante** de chapa de acero galvanizada, de espesor y aislamiento adecuados, con aislamiento acústico y anticondensante, de autoextinción de clase 1. Completa con paneles de inspección.
- **Unidad de ventilador** con turbina doble o simple, ventilador centrífugo de doble oído, con rodetes equilibrados estática y dinámicamente, acoplados directamente al motor eléctrico de imanes permanentes. La unidad lleva una tarjeta inverter para el control de motor, la cual permite el ajuste preciso de la velocidad de rotación del motor (señal de control 0-10 V).
- **Regleta de conexiones.**
- **Intercambiador de calor:** de alta eficiencia, con tubos de cobre y aletas de aluminio, fijadas a los tubos por expansión mecánica. Están equipadas con colectores de latón y contienen válvulas de aireación. El intercambiador de calor, equipado normalmente con conexiones en su lado izquierdo, puede girarse 180°.
- **Sistema de admisión y descarga de agua de condensación**, preajustado tanto para el montaje sobre paredes o sobre techos. Todos los modelos de la serie FWN se pueden instalar tanto en posición horizontal como en vertical.
- **Módulo de admisión de aire con filtro de aire**
  - **Módulo de admisión de aire**  
Fabricado en laminado de acero galvanizado. Estos módulos permiten filtrar el aire aspirado por la unidad y también conectar la unidad a los tubos de admisión.
  - **Filtro del aire**  
Hecho de acrílico, con autoextinción de clase 1, con filtrado de clase EU 2.  
El filtro es extraíble y está fijado a través de 2 pomos con vástagos roscados M4.  
El material de filtrado se puede lavar y regenerar para mantener la eficiencia de filtrado especificada con pérdidas limitadas.
  - **El kit de accesorios contiene**
    - Una estructura portante de acero galvanizado.
    - Filtro extraíble tipo casete (se puede extraer a modo de cajón)
    - Tornillos de fijación autorroscantes

### Ejemplo de una instalación

(Ver figura 1)

- 1 Unidad FWN
- 2 Módulo de admisión con filtro de aire

## DIMENSIONES

■ Módulo de admisión con filtro plano de clase EU 2 (Ver figura 2)

■ Unidad estándar (Ver figura 5)

Las dimensiones mencionadas en la parte izquierda se refieren a las conexiones hidráulicas situadas en el lado izquierdo del intercambiador de calor y las dimensiones mencionadas a la derecha se refieren a las conexiones hidráulicas situadas en el lado derecho.

- 1 Seis (6) ranuras de acoplamiento rápido
- 2 Descarga del agua de condensación: instalación horizontal
- 3 Descarga del agua de condensación: instalación vertical
- 4 Conexiones hidráulicas  
4 = intercambiador de calor estándar  
4 DF = intercambiador de calor adicional
- 5 Suministro de aire
- 6 Admisión de aire  
6A = términos de suministro  
6B = modificable durante la instalación
- 7 Elemento redondo pre-troquelado (Ø100 mm) para la toma de aire fresco

## INSTALACIÓN



Las unidades de aire acondicionado y calefacción por aire caliente FWN se deben instalar ya sea en posición horizontal o vertical. Compruebe que la instalación que desea montar cumple con las condiciones de una de las imágenes que aparecen en la figura 3 en la que las dos configuraciones posibles (AA o AB) son aptas para el funcionamiento del equipo en modo calefacción o refrigeración.



Durante su funcionamiento normal, en especial con un ventilador a la velocidad mínima y el aire del ambiente con humedad relativa elevada, puede que se forme condensación en el envío de aire y en algunas zonas de la estructura del aparato. Para evitar esto, siempre permaneciendo dentro de los límites de trabajo previstos para el aparato, es necesario limitar la temperatura (media) del agua dentro del intercambiador. En particular, la diferencia entre la temperatura de rocío del aire (TA,DP) y la temperatura media del agua (TWM) NO debe ser superior a 14 °C, según la siguiente relación:  $TW > TA, DP - 14 \text{ °C}$

Por ejemplo: en el caso de aire ambiental a 25°C con 75% de humedad relativa, el valor de la temperatura de rocío equivale a unos 20°C, por lo tanto, la temperatura media del agua en la batería deberá ser superior a  $20 - 14 = 6 \text{ °C}$  para evitar que se forme condensación. Si el terminal permanece en parada por largo tiempo, con el ventilador detenido y circulación de agua fría en el intercambiador, es posible que se forme condensación también en la parte exterior del aparato. En este caso es recomendable montar como accesorio una válvula de 3 vías (o 2 vías), de manera que el flujo de agua en la batería se interrumpa cuando el ventilador está parado.

### Instalación horizontal o vertical

(Ver figura 3)

- AA La entrada y la salida de aire están alineadas
- AB La entrada de aire no está alineada con la salida de aire

### Configuración de la unidad

Las unidades se suministran siempre en la configuración AA, pero la posición de la entrada puede modificarse durante la instalación.

Descripción del kit (Ver figura 6)

- 1 Panel de cierre superior
- 2 Panel de cierre inferior
- 3 Elemento pre-troquelado para la entrada de aire exterior
- 4 Ventiladores centrífugos
- 5 Intercambiador de calor estándar
- 6 Intercambiador de calor adicional (DF)
- 7 Depósito de agua de condensación para montaje sobre pared (tubo de Ø3/8")

- 8 Depósito de agua de condensación para montaje en el techo (tubo de Ø3/8")
- 9 Conexiones hidráulicas del intercambiador de calor
- 10 Conexiones de descarga de agua de condensación
- 11 Regleta de conexiones.
- 12 Estructura portante

Se recomienda instalar todos los accesorios en el equipo estándar, antes de posicionarlo, consultando las hojas técnicas relevantes.

Las secciones de las tuberías de entrada y de salida son rectangulares y están perforadas para poder fijar a ellas los accesorios suministrados. Ambos paneles laterales de la unidad poseen un elemento redondo pre-troquelado (Ø100 mm) para la entrada directa de aire fresco.

Si la instalación difiere de los términos de suministro se debe cambiar el esquema de la unidad, desmontando la misma como se muestra en la figura 6.

Las conexiones del intercambiador se pueden orientar hacia el lado opuesto de la siguiente manera:

- 1 retire los paneles de cierre superior e inferior (1 + 2),
- 2 retire el depósito de agua de condensación para la instalación horizontal (8),
- 3 afloje los cuatro (4) tornillos de fijación del soporte del motor, sin desenroscarlos del todo (7),
- 4 retire el intercambiador de calor (5) desatornillando los 4 tornillos de fijación, tire de él hacia fuera y gírelo; retire los elementos pre-troquelados del panel del lado opuesto, vuelva a insertar el intercambiador de calor y apriete los tornillos,
- 5 vuelva a montar los componentes relacionados previamente,
- 6 tapone los orificios de salida de los manguitos utilizados anteriormente usando material aislante.

### Instalación de la unidad

Fije la unidad estándar al techo o a la pared usando al menos 4 de las 6 ranuras;

■ Para la instalación horizontal (montaje en el techo) se recomienda utilizar barras roscadas M8, pernos de anclaje adecuados conforme al peso de la unidad y realizar el posicionamiento de la unidad usando 2 pernos M8 y una arandela del diámetro adecuado para poder insertarlos en la ranura y fijar posteriormente la unidad.

Antes de apretar la contratuerca, ajuste el cierre de la tuerca principal de forma que la unidad quede con la inclinación adecuada, por ejemplo, para facilitar la descarga del agua de condensación (consulte figura 4).

La inclinación adecuada se consigue inclinando la entrada hacia una posición situada más abajo que la salida, hasta alcanzar una diferencia de nivel de aprox. 10 mm. entre ambos extremos. Realice las conexiones hidráulicas con el intercambiador de calor y, para operaciones de refrigeración, con la descarga de agua de condensación. Utilice una de las 2 tuberías de drenaje del tanque auxiliar visibles desde el exterior de los paneles laterales de la unidad (véase figura 5): tanque horizontal y tubería de descarga de agua de condensación vertical.

■ Para instalaciones verticales (montaje sobre pared), fije la unidad de forma que el agua fluya al exterior a través de la tubería de descarga del agua de condensación utilizada. Es suficiente que exista una diferencia de nivel entre los dos paneles laterales de aprox. 5 mm.

Las dos tuberías de descarga de agua de condensación del tanque principal están ubicadas dentro de los paneles laterales y se puede acceder a ellas a través del paso de membrana que ha de ser perforado para pasar el tubo de descarga a través de él.

Se recomienda no eliminar el paso de membrana antes mencionado, ya que impide que los bordes afilados del agujero del panel lateral dañen el tubo de descarga de condensación a la larga.

■ Para conectar la unidad a la tubería de descarga del agua de condensación, utilice un tubo flexible de goma y fjelo a la tubería de descarga elegida (de Ø3/8") a través de una abrazadera metálica (utilice la tubería de descarga que está ubicada en el lado de las conexiones hidráulicas).

Para ayudar al drenaje del agua de condensación, incline la tubería de descarga hacia abajo al menos 30 mm/m asegurándose de que todo el recorrido está despejado y libre de ángulos u obstáculos.

- Instalación del filtro de aire. En cuanto a la entrada, el módulo del filtro se debe instalar ya sea alineado con la salida (configuración AA), o bien, a 90° en comparación con la unidad (configuración AB). En el último caso, el panel de cierre inferior frontal se debe desplazar ajustando los 6 tornillos que lo fijan a la unidad. El panel se instalará en este caso en la parte inferior de la unidad.

Ambos extremos del módulo del filtro están perforados para coincidir con los agujeros de la entrada de aire de la unidad.

De este modo será posible acoplar el módulo a la unidad y lograr, en el otro extremo, un posicionamiento de los agujeros idéntico al de los agujeros de la entrada de aire de la unidad de tratamiento de aire.

Los agujeros perforados a un extremo del módulo son de Ø5 mm; esta es la parte que debe ser acoplada directamente a la unidad.

Al otro extremo, el diámetro de los agujeros es de 3,5 mm. para asegurar que los tornillos que se van a utilizar para fijar otras partes (suministro independiente) estén apretados.

Las dimensiones generales se muestran en la figura 2.

- La instalación del módulo del filtro se muestra de forma esquemática en la figura:

- figura 9: instalación de los módulos de admisión con filtro de aire en FWN con configuración AA.
- figura 10: instalación de los módulos de admisión con filtro de aire en FWN con configuración AB.

Utilice los tornillos autorroscantes suministrados con el kit.

### Algunas normas a seguir

- Purgue el aire del intercambiador de calor, con las bombas detenidas, a través de las válvulas de aireación ubicadas junto a las conexiones del propio intercambiador de calor.
- Al poner en marcha un fancoil entubado se recomienda colocar juntas antivibración (suministro independiente) entre las tuberías y la unidad.
- Si desea instalar un módulo de resistencia eléctrica (EDEH) como accesorio, la junta antivibración debería ser resistente al calor.
- Las tuberías, especialmente la tubería de suministro debería estar aislada con material anticorrosivo.
- Instale un panel de inspección adyacente al equipo para las operaciones de mantenimiento y limpieza.
- Instale el panel de control en la pared. Escoja una posición de fácil acceso para realizar el ajuste de las funciones y para detectar la temperatura. Procure evitar posiciones en las que el equipo esté expuesto a los rayos directos del sol o posiciones en las que el equipo esté sometido a corrientes de aire caliente o frío. No coloque obstáculos que impidan una adecuada lectura de la temperatura.

## CABLEADO DE OBRA



Todo el cableado en obra y los componentes deben ser instalados por un electricista autorizado y deben cumplir con las regulaciones locales y nacionales pertinentes.

Desconecte la alimentación eléctrica antes de instalar el cableado eléctrico. Para los detalles, consulte el manual adecuado al respecto.

Compruebe que el suministro eléctrico se corresponde con las características de suministro eléctrico nominal que aparecen en la placa de especificaciones de la unidad.

Cada unidad debe poseer un interruptor (IL) de suministro eléctrico instalado a una distancia de 3 mm. como mínimo entre los contactos de apertura y un fusible de seguridad (F) adecuado.

El consumo eléctrico se muestra en la placa de especificaciones de la unidad, fijada a la misma.

Asegúrese de realizar la instalación del cableado con precaución, en función de la combinación unidad/ controlador y ello conforme al diagrama de cableado correcto suministrado con cada accesorio.

Para realizar las conexiones eléctricas debe retirar el panel de cierre inferior (véase figura 6) para acceder a la regleta de conexiones.

Los cables de alimentación (alimentación y control) deben pasar hasta la regleta de conexiones a través del paso de membrana del panel lateral de la unidad situado en el lado opuesto a las conexiones hidráulicas.

Figura 7 muestra el diagrama de cableado FWN sin panel de control.

La unidad lleva una tarjeta inverter para el control de motor, la cual permite el ajuste preciso de la velocidad de rotación del motor (señal de control 0-10 V).

### Tabla de partes del cableado (Ver figura 7)

L.....	Phase
⊖.....	Tierra
N.....	Neutro
CN.....	Conector
F.....	Fusible (suministro independiente)
IL.....	Interruptor principal (suministro independiente)
0-10V.....	Señal de control
COM.....	Común señal de control

## PRUEBA DE FUNCIONAMIENTO

Compruebe que el equipo haya sido instalado de forma que se garantice la inclinación requerida.

Compruebe que la tubería de descarga de agua de condensación no esté atascada (por depósitos de residuos, etc.).

Compruebe que las conexiones hidráulicas estén selladas.

Compruebe la total estanqueidad del cableado (realice esta comprobación con el suministro eléctrico apagado en OFF).

Asegúrese de que la purga de aire del intercambiador de calor se ha realizado correctamente.

Encienda el suministro eléctrico y compruebe el funcionamiento de la unidad.

## UTILIZADO

Para operar la unidad, consulte las instrucciones en el manual de instalación y operación del controlador. Hay controladores independientes disponibles como accesorio.

## MANTENIMIENTO Y LIMPIEZA

Por razones de seguridad, antes de realizar cualquier operación de mantenimiento o limpieza, apague la unidad y desconecte la tensión ajustando el interruptor principal en OFF.

### Mantenimiento

Las operaciones de mantenimiento de las unidades de aire acondicionado FWN y de calefacción por aire caliente están limitadas a una limpieza periódica del filtro de aire y del intercambiador de calor, y a la comprobación de la eficiencia de funcionamiento de la tubería de descarga de agua de condensación.

Sólo personal técnico cualificado puede realizar los trabajos de mantenimiento.

Es de vital importancia prestar atención al realizar las operaciones de mantenimiento: pueden producirse lesiones al entrar en contacto con algunas de las piezas metálicas, por lo tanto, utilice guantes protectores de trabajo.

Cada vez que se arrancan las unidades después de un periodo largo de inactividad, asegúrese de que el intercambiador de calor NO tiene aire en su interior.

El motor no necesita mantenimiento, ya que está equipado con cojinetes autolubricantes.

### Limpieza del filtro del aire

Desconecte la tensión de la unidad ajustando el interruptor principal en OFF.



Para limpiar el filtro de aire siga los siguientes pasos (véase figura 6)

- Acceda al equipo a través del panel de inspección y extraiga el filtro de aire como se muestra en la figura 8 desatornillando los pomos de fijación.
- De lo contrario, si el filtro se encuentra dentro de la rejilla de admisión, extraiga la rejilla y realice las operaciones que se indican abajo.  
(Ver figura 8)
  - 1 Módulo de admisión con filtro de aire
  - 2 Filtro de aire, fijado al módulo de admisión a través de tornillos, se extrae a modo de cajón.
- Lave el filtro con agua tibia o, si se trata de polvo seco, con aire comprimido.
- Vuelva a montar el filtro después de haberlo secado.

### Limpieza del intercambiador de calor

Se recomienda comprobar el estado del intercambiador de calor antes del comienzo de la estación de verano. Asimismo, compruebe si las aletas no están atascadas con residuos.

Para acceder al intercambiador de calor, retire el panel de suministro y el tanque de agua de condensación. Después de acceder al intercambiador de calor, límpielo con aire comprimido o vapor a baja presión, evitando dañar las aletas del intercambiador de calor.

Antes de operar la unidad en verano, compruebe periódicamente las descargas de agua de condensación.

**NOTE** El mantenimiento y limpieza adecuada y periódicamente equivale a la conservación de la energía y el ahorro de costes.



### REQUISITOS RELATIVOS AL DESECHO DE RESIDUOS

El desmontaje de la unidad debe realizarse de acuerdo con la normativa relevante local y nacional.

### SOLUCIÓN DE PROBLEMAS

Si la unidad no funciona correctamente compruebe primero los puntos que aparecen en la siguiente tabla, antes de solicitar asistencia técnica.

Si no puede solucionar el problema póngase en contacto con su distribuidor o centro de asistencia técnica.

#### Symptom 1: La unidad no funciona

CAUSAS POSIBLES	ACCIÓN CORRECTORA
Fallo del suministro eléctrico	Encienda el suministro eléctrico
Se ha fundido el interruptor automático	Póngase en contacto con el centro de asistencia técnica
El interruptor está en posición de STOP ("0")	Ajuste el interruptor en posición "I" de encendido

#### Symptom 2: No refrigera o calienta como debiera

CAUSAS POSIBLES	ACCIÓN CORRECTORA
El filtro de aire está sucio o atascado	Limpie el filtro del aire.
Obstáculo centra de la entrada o salida de aire	Retire el obstáculo
Hay aire dentro del intercambiador de calor	Póngase en contacto con el instalador
Puertas y ventanas están abiertas	Cierre puertas y ventanas
La unidad funciona a velocidad baja	Seleccione velocidad del ventilador intermedia o alta

#### Symptom 3: La unidad gotea

CAUSAS POSIBLES	ACCIÓN CORRECTORA
La unidad no está instalada con la inclinación correcta	Póngase en contacto con el instalador
La tubería de descarga del agua de condensación está atascada	Póngase en contacto con el instalador

Las unidades están marcadas con el siguiente símbolo:



Esto significa que los productos eléctricos y electrónicos no pueden mezclarse con los residuos domésticos no clasificados. NO intente desmontar el sistema usted mismo: El desmontaje del sistema, así como el tratamiento del refrigerante, del aceite y de las demás partes, deben ser efectuados por un instalador autorizado, y deben ajustarse a la normativa aplicable.

Las unidades deben ser tratadas en una instalación especializada para su reutilización, reciclaje y recuperación. Al asegurarse de que este producto es desechado correctamente, contribuirá a evitar potenciales consecuencias negativas para el medio ambiente y para la salud humana. Para obtener más información, comuníquese con su instalador o con las autoridades locales.



Prima di mettere in funzione l'unità leggere attentamente questo manuale. Non gettarlo via e riporlo in un luogo sicuro in modo che sia disponibile per qualsiasi necessità futura.

L'installazione o il montaggio impropri dell'unità o degli accessori potrebbero dar luogo a folgorazioni, cortocircuiti, perdite oppure danni ad altre parti dell'unità. Accertarsi di utilizzare solo accessori prodotti da Daikin, che sono progettati specificamente per essere utilizzati con l'unità e devono essere installati da professionisti.

Contattare l'installatore Daikin per ricevere consigli e informazioni in caso di dubbi sulle procedure di montaggio o d'uso.

Sceita della posizione d'installazione: **Apparecchi progettati per la climatizzazione dell'aria ambiente e destinati all'utilizzo in applicazioni di comfort civile**

- non installare l'unità in ambienti in cui sono presenti gas infiammabili;
- non indirizzare il getto dell'acqua direttamente sull'unità;
- installare l'unità su soffitti e pareti in grado di sostenerne il peso; nell'aria circostante all'unità, lasciare uno spazio sufficiente per operare l'unità e svolgere i necessari interventi di manutenzione, considerando tutti gli accessori opzionali installati;
- non posizionare l'unità di riscaldamento direttamente sotto una spina/presa elettrica.

## PRIMA DELL'INSTALLAZIONE

L'installazione e la manutenzione dovranno essere effettuate da tecnici professionisti specializzati, in rispetto con le attuali normative sulla sicurezza.

Al momento del ricevimento dell'unità controllarne lo stato, accertarsi che non si sia verificato alcun danno durante il trasporto.

Consultare le relative schede tecniche in caso di installazione o utilizzo di accessori.

Identificare il modello e la versione dell'unità dalle indicazioni riportate sul cartone dell'imballaggio.

## LIMITI PER L'UTILIZZO E IL FUNZIONAMENTO

Daikin non potrà essere ritenuta responsabile se

- l'unità è stata installata da personale non qualificato;
- l'unità è stata utilizzata in modo improprio;
- l'unità è stata utilizzata in condizioni non consentite;
- non sono stati eseguiti gli interventi di manutenzione specificati nel presente manuale;
- non sono stati utilizzati ricambi originali.

Per evitare depositi di polvere al suo interno, lasciare l'unità nel proprio imballaggio fino al momento dell'effettiva installazione.

L'aria aspirata dall'unità deve sempre essere filtrata. Utilizzare sempre il filtro dell'aria in dotazione.

Se l'unità non viene utilizzata durante l'inverno, eliminare l'acqua presente nel sistema per evitare danni causati dalla formazione del ghiaccio. Se si utilizzano soluzioni antigelo, controllare il punto di congelamento.

Non apportare modifiche a collegamenti elettrici interni o ad altri componenti dell'unità.

Qui di seguito sono riportati i limiti operativi dell'unità, mentre tutti gli altri usi sono considerati impropri:

- termovettore: acqua/glicole
- temperatura dell'acqua: 5°C~95°C
- pressione operativa massima: 10 bar
- temperatura dell'aria: -20°C~43°C
- tolleranza della tensione: ± 10%
- limite di umidità relativa dell'aria ambiente: RH < 85% non condensante

## DESCRIZIONE DELL'UNITÀ

La serie FWN di apparecchiature per il condizionamento e il riscaldamento dell'aria è stata ampliata per gli ambienti da condizionare che richiedono l'installazione di unità canalizzate.

### Componenti principali

- **Struttura portante** realizzata in lamiera d'acciaio zincato dell'apposito spessore, debitamente isolata con materiale acusticamente isolante/anticondensa, autoestinguibile di classe 1. Completa di pannelli d'ispezione.
- **Ventilatore** con ruota della ventola singola o doppia, ingresso doppio tipo centrifugo, con giranti bilanciati staticamente e dinamicamente, collegato direttamente al motore elettrico a magneti permanenti. L'unità è dotata di scheda inverter di controllo del motore, che permette un preciso settaggio della velocità di rotazione del motore (segnale di controllo 0-10 V).
- **Morsettiere.**
- **Scambiatore di calore:** caratterizzato dall'alto rendimento e realizzato in tubolare di rame con alette in alluminio fissate ai tubi tramite espansione meccanica. Dotato di collettori in rame e valvole d'aria. Lo scambiatore di calore viene solitamente fornito con gli attacchi a sinistra, ma è possibile ruotarlo di 180°.
- **Sistema per la raccolta e lo scarico della condensa,** adatto sia all'applicazione da soffitto che a quella a parete. Tutti i modelli della serie FWN possono essere installati sia in posizione orizzontale che verticale.
- **Modulo ingresso aria con filtro aria**
  - **Modulo ingresso aria**  
Realizzato in lamiera di acciaio zincato. Questi moduli consentono di filtrare l'aria aspirata dall'unità e di collegare l'unità alla canalizzazione dell'aria in entrata.
  - **Filtro dell'aria**  
Realizzato in materiale acrilico, il filtro è autoestinguibile di classe 1 con la classe filtrante EU 2.  
Il filtro può essere inserito o rimosso e viene fissato tramite due manopole con steli filettati M4.  
È possibile lavare e rigenerare il materiale filtrante per mantenere l'efficacia filtrante e assicurare perdite limitate.
  - **Il kit accessori comprende**
    - Struttura portante realizzata in lamiera d'acciaio zincato
    - Filtro rimovibile tipo cassetta (estraibile come un cassetto)
    - Viti di fissaggio autofilettanti

### Esempio per l'installazione

(Vedere la figura 1)

- 1 Unità FWN
- 2 Modulo ingresso aria con filtro aria

## DIMENSIONI

■ Modulo ingresso con filtro piatto classe EU 2 (Vedere la figura 2)

■ Unità standard (Vedere la figura 5)

Le dimensioni riportate a sinistra si riferiscono agli attacchi idraulici a sinistra e le dimensioni riportate a destra si riferiscono agli attacchi idraulici a destra.

- 1 6 fessure di attacco rapido
- 2 Scarico della condensa – installazione orizzontale
- 3 Scarico della condensa – installazione verticale
- 4 Collegamenti idraulici  
4 = scambiatore di calore standard  
4 DF = scambiatore di calore supplementare
- 5 Uscita aria
- 6 Ingresso aria  
6A = termini di fornitura  
6B = modificabile durante l'installazione
- 7 Elemento arrotondato pretranciato (Ø100 mm) per l'ingresso aria fresca

## INSTALLAZIONE



Gli apparecchi di condizionamento e riscaldamento dell'aria FWN possono essere installati sia in posizione orizzontale che verticale. Verificare che l'installazione desiderata sia conforme ad una delle figure rappresentate in figura 3, in cui tutte e due le configurazioni possibili (AA o AB) sono adatte al funzionamento di riscaldamento e raffreddamento.



Nel funzionamento normale, in particolare con ventilatore alla velocità minima ed aria ambiente con elevata umidità relativa, è possibile che si verifichi formazione di condensa sulla mandata aria e su alcune parti della struttura esterna dell'apparecchio. Per evitare tali fenomeni, sempre rimanendo all'interno dei limiti di lavoro previsti per l'apparecchio, è necessario limitare la temperatura (media) dell'acqua all'interno dello scambiatore. In particolare occorre che la differenza fra la temperatura di rugiada dell'aria (TA,DP) e la temperatura media dell'acqua (TWM) NON sia superiore a 14 °C, secondo la relazione:  $TW > TA, DP - 14 \text{ °C}$

Esempio: nel caso di aria ambiente a 25°C con il 75% di umidità relativa il valore di temperatura di rugiada è pari a circa 20 °C e dunque la temperatura media dell'acqua in batteria dovrà essere superiore a  $20 - 14 = 6 \text{ °C}$  al fine di evitare fenomeni di condensa.

In caso di sosta prolungata del terminale, con ventilatore fermo e circolazione di acqua fredda nello scambiatore, è possibile che si formi condensa anche all'esterno dell'apparecchio. In questo caso è consigliabile installare l'accessorio valvola a 3 vie (o 2 vie) in modo da interrompere il flusso d'acqua in batteria quando il ventilatore è fermo.

### Installazione orizzontale o verticale

(Vedere la figura 3)

- AA L'ingresso e l'uscita dell'aria sono in linea
- AB L'ingresso dell'aria non è in linea con l'uscita dell'aria

### Configurazione dell'unità

Le unità sono sempre fornite nella configurazione tipo AA, ma è possibile cambiare la posizione dell'ingresso dell'aria durante la fase dell'installazione.

Descrizione del kit (Vedere la figura 6)

- 1 Pannello di chiusura superiore
- 2 Pannello di chiusura inferiore
- 3 Elemento pretranciato per l'ingresso esterno dell'aria
- 4 Ventole centrifughe
- 5 Scambiatore di calore standard
- 6 Scambiatore di calore supplementare (DF)
- 7 Serbatoio condensa per installazioni a parete (tubo Ø3/8")
- 8 Serbatoio condensa per installazioni a soffitto (tubo Ø3/8")
- 9 Attacchi idraulici dello scambiatore di calore
- 10 Attacchi scarico condensa
- 11 Morsettiera

## 12 Struttura portante

Si consiglia di installare tutti gli accessori sull'unità standard prima di collocarla nella posizione stabilita, facendo riferimento alle specifiche tecniche.

La sezione dei tubi di entrata e uscita è rettangolare e provvista di fori per fissare gli eventuali accessori disponibili. Su entrambi i lati dei pannelli dell'unità è presente un elemento arrotondato pretranciato (Ø100 mm) per l'ingresso diretto dell'aria fresca.

Se l'installazione è diversa dai termini di fornitura, è necessario cambiare la disposizione smontando l'unità come indicato nella figura 6.

È possibile orientare gli attacchi dello scambiatore sul lato opposto nel seguente modo:

- 1 rimuovere i pannelli di chiusura superiori e inferiori (1+2);
- 2 rimuovere il serbatoio della condensa per l'installazione orizzontale (8);
- 3 allentare le viti di fissaggio del supporto del motore, senza svincolarle completamente (7);
- 4 rimuovere lo scambiatore di calore (5) svitando le 4 viti di fissaggio, estrarlo e girarlo; quindi eliminare gli elementi pretranciati sul pannello laterale opposto, inserire nuovamente lo scambiatore di calore e serrare le viti;
- 5 riassemblare i componenti precedentemente elencati;
- 6 fermare i fori d'uscita dei collettori precedentemente usati con del materiale isolante anticondensa.

### Installazione dell'apparecchio

Fissare l'unità standard al soffitto o alla parete utilizzando almeno 4 delle 6 fessure;

■ **Per l'installazione orizzontale (montaggio a soffitto)** si consiglia di utilizzare le barre filettate M8, le viti di ancoraggio adatte al peso dell'unità e di provvedere al posizionamento dell'unità utilizzando 2 bulloni M8 e una rosetta di un diametro adatto alla fessura per il fissaggio dell'unità.

Prima di serrare il dado di controllo, regolare la chiusura del dado principale in modo che l'unità sia inclinata correttamente, ad esempio per facilitare lo scarico della condensa (consultare figura 4).

L'inclinazione corretta si ottiene inclinando l'ingresso verso il basso rispetto all'uscita, fino ad ottenere una differenza di livello di circa 10 mm tra un'estremità e l'altra. Eseguire i collegamenti idrici con lo scambiatore di calore e per i funzionamenti di raffreddamento con lo scarico della condensa. Usare uno dei 2 scarichi del serbatoio ausiliario, posti nella parte esterna dei pannelli laterali dell'unità (vedi figura 5): scarico della condensa orizzontale (serbatoio) e verticale.

■ **Per le installazioni verticali (a parete)**, fissare l'unità in modo che l'acqua scorra via verso lo scarico della condensa utilizzato. È sufficiente un'inclinazione equivalente alla differenza di livello tra i due pannelli laterali di circa 5 mm.

I due tubi per lo scarico della condensa del serbatoio principale sono posti all'interno dei pannelli laterali e sono accessibili attraverso un passaggio tipo membrana che deve essere forato per farci passare il tubo di scarico.

Si consiglia di non rimuovere il suddetto passaggio tipo membrana perché, nel tempo, previene che il bordo affilato del foro sul pannello laterale danneggi il tubo di scarico della condensa.

■ **Per collegare l'unità alla linea di scarico della condensa**, utilizzare un tubo flessibile di gomma e fissarlo al tubo di scarico prescelto (Ø3/8") tramite una fascetta metallica (usare lo scarico posto sul lato degli attacchi idraulici).

Per facilitare il drenaggio della condensa, inclinare il tubo di scarico verso il basso di almeno 30 mm/m facendo attenzione che per tutto il percorso non sia piegato o ostruito da qualcosa.

■ **Installazione del filtro dell'aria.** Per quanto riguarda l'ingresso, il modulo del filtro deve essere installato nella stessa linea dell'uscita (configurazione AA) oppure a 90° rispetto all'unità (configurazione AB). Nell'ultimo caso il pannello di chiusura inferiore frontale deve essere spostato regolando le 6 viti che lo fissano all'unità. Il pannello verrà poi installato sul fondo dell'unità. Entrambe le estremità del modulo filtrante vengono poi forate per corrispondere ai fori dell'ingresso dell'alimentazione dell'unità.

In tal caso sarà possibile accoppiare il modulo all'unità dall'altra estremità, in modo tale che la posizione dei fori corrisponda esattamente a quella dei fori dell'ingresso dell'alimentazione dell'unità di trattamento dell'aria.

I fori presenti in una delle estremità del modulo hanno un diametro di 5 mm, questa è la parte che deve essere direttamente accoppiata all'unità.

Dall'altra estremità, il diametro dei fori è di 3,5 mm per assicurare che le viti utilizzate per fissare gli altri componenti (non di fornitura) siano ben salde.

Le dimensioni complessive sono riportate nella figura 2.

■ L'installazione del modulo del filtro è rappresentata schematicamente in:

- figura 9: installazione dei moduli di ingresso filtro su FWN con configurazione AA;
- figura 10: installazione dei moduli di ingresso filtro su FWN con configurazione AB.

Utilizzo delle viti autofilettanti comprese nel kit.

## Regole da osservare

- A pompe disattivate, spurgare l'aria proveniente dallo scambiatore di calore mediante le valvole d'aria posizionate vicino agli attacchi dello scambiatore di calore stesso.
- Quando si implementa un sistema di tipo canalizzato, si consiglia di usare giunti isolanti (non di fornitura) tra la canalizzazione e l'unità.
- Se si desidera installare un modulo per la resistenza elettrica (EDEH) come accessorio, il giunto isolante in uscita deve essere anche termoresistente.
- I canali, in particolare quello in uscita, deve essere isolato con materiale anticondensa.
- Sistemare un pannello d'ispezione vicino all'apparecchio per le operazioni di manutenzione e di pulizia.
- Installare il pannello di controllo alla parete. Scegliere una posizione di facile accesso per poter eseguire le impostazioni delle funzioni e per il rilevamento della temperatura. Se possibile, evitare posizioni che siano direttamente esposte ai raggi del sole o posizioni soggette a correnti di aria calda o fredda diretta. Non mettere alcun tipo di oggetto che ostacoli la corretta lettura della temperatura.

## COLLEGAMENTI DA EFFETTUARSI IN LOCO



Sia i collegamenti elettrici che l'installazione di ogni componente devono essere eseguiti esclusivamente da un elettricista qualificato ed in conformità alle specifiche della normativa nazionale e locale vigente in materia.

Eseguire i collegamenti elettrici dopo aver scollegato l'alimentazione. Per le varie opzioni, consultare il relativo manuale.

Verificare che l'alimentazione corrisponda all'alimentazione nominale riportata sulla targhetta informativa dell'apparecchio.

Ogni apparecchio necessita di un interruttore (IL) sull'alimentazione con una distanza di almeno 3 mm tra i contatti di apertura e di un fusibile di sicurezza adatto (F).

Il consumo di corrente è indicato sui dati riportati nella targhetta posta sull'apparecchio.

Accertarsi di eseguire i collegamenti elettrici in funzione della combinazione unità/controller e in conformità allo schema elettrico in dotazione con ogni accessorio.

Per eseguire i collegamenti elettrici è necessario rimuovere il pannello di chiusura inferiore (vedi figura 6) e accedere quindi alla morsettiera.

I cavi dell'alimentazione (alimentazione e controllo) devono essere diramati alla morsettiera elettrica attraverso il passaggio a membrana che si trova nel pannello laterale dell'unità dal lato opposto agli attacchi idraulici.

Figura 7 mostra lo schema elettrico di FWN senza il pannello di controllo.

L'unità è dotata di scheda inverter di controllo del motore, che permette un preciso settaggio della velocità di rotazione del motore (segnale di controllo 0-10 V).

## Tabella componenti elettrici (Vedere la figura 7)

L.....	Fase
⊖.....	Terra
N.....	Neutro
CN.....	Connettore
F.....	Fusibile (non di fornitura)
IL.....	Interruttore di linea (non di fornitura)
0-10V.....	Segnale di controllo
COM.....	Comune segnale controllo

## PROVA DI FUNZIONAMENTO

Verificare che l'apparecchio sia stato installato in modo da assicurare l'inclinazione necessaria.

Controllare che lo scarico della condensa non sia ostruito (da depositi di piccoli detriti, ecc.)

Controllare la tenuta dei collegamenti idraulici.

Verificare che i collegamenti elettrici siano ben saldi (eseguire tale controllo con la tensione su OFF).

Accertarsi che lo spurgo dello scambiatore di calore sia stato eseguito correttamente.

Accendere l'interruttore principale e verificare il funzionamento dell'apparecchio.

## Uso

Per informazioni sull'uso dell'apparecchio, consultare le istruzioni riportate nel manuale d'installazione e di funzionamento dell'unità di comando. Le unità di comando dedicate sono disponibili come accessori.

## MANUTENZIONE E PULIZIA

Per motivi di sicurezza, prima di eseguire qualsiasi intervento di manutenzione o di pulizia, spegnere l'unità e togliere la tensione, portando l'interruttore di linea su OFF.

### Manutenzione

Le operazioni di manutenzione delle apparecchiature per il condizionamento e il riscaldamento dell'aria sono limitate alla pulizia periodica del filtro dell'aria e dello scambiatore di calore, nonché al controllo del corretto funzionamento dello scarico della condensa.

Solo il personale specializzato può eseguire i lavori di manutenzione.

Durante tutti gli interventi di manutenzione, prestare la massima attenzione: il contatto accidentale con uno dei componenti metallici può provocare lesioni, quindi si consiglia di indossare un paio di guanti da lavoro.

Ogni volta che si rimettono in funzione unità che sono state ferme per un lungo periodo, verificare che NON vi sia aria nello scambiatore di calore.

Il motore non necessita di manutenzione perché è dotato di cuscinetti autolubrificanti.

### Pulizia del filtro dell'aria

Togliere la tensione dall'unità portando l'interruttore di linea su OFF.

Per la pulizia del filtro dell'aria, procedere nel seguente modo (figura 8)

- Accedere all'apparecchiatura tramite il pannello d'ispezione e rimuovere il filtro dell'aria come mostrato nella figura 8, svitando le manopole di fissaggio.
- Se invece il filtro si trova all'interno della griglia d'ingresso, rimuovere la griglia e eseguire le operazioni di seguito descritte.

(Vedere la figura 8)

- 1 Modulo ingresso aria con filtro
- 2 Filtro dell'aria, fissato al modulo d'ingresso con delle viti, si estrae come un cassetto.

- Lavare il filtro con dell'acqua tiepida o in caso di polveri secche con aria compressa.
- Riassemblare il filtro dopo averlo asciugato bene.

### Pulizia dello scambiatore di calore

Si consiglia di controllare lo stato dello scambiatore di calore prima che inizi la stagione estiva. Controllare anche che le alette non siano intasate dalle impurità.

Per accedere allo scambiatore di calore, rimuovere il pannello di uscita e il serbatoio della condensa. Dopo aver raggiunto lo scambiatore di calore, pulire con aria compressa o con vapore a bassa pressione senza danneggiare le alette.

Prima di accenderlo d'estate, controllare che la condensa sia regolarmente scaricata.

#### NOTE



Una manutenzione e una pulizia adeguata e regolare consentono un maggior risparmio energetico e economico.

## ISTRUZIONI PER LO SMALTIMENTO

Lo smaltimento dell'apparecchio deve essere eseguito in conformità alle normative locali e nazionali vigenti in materia.

## DIAGNOSI DELLE ANOMALIE

Se l'apparecchio non funziona correttamente, controllare innanzitutto i punti riportati nella seguente tabella prima di richiedere l'assistenza.

Se il problema persiste, contattare il rivenditore di fiducia o il centro assistenza.

### Symptom 1: L'apparecchio non funziona per nulla

PROBABILE CAUSA	AZIONE CORRETTIVA
Interruzione dell'alimentazione	Ripristinare l'alimentazione
È scattato il magnetotermico automatico	Contattare il centro assistenza
L'interruttore è in posizione STOP ("0")	Portare l'apparecchio su ON, selezionare "1"

### Symptom 2: Raffreddamento o riscaldamento scarso

PROBABILE CAUSA	AZIONE CORRETTIVA
Filtro dell'aria sporco o intasato	Pulire il filtro dell'aria
Ostacolo vicino all'ingresso o all'uscita dell'aria	Rimuovere l'ostacolo
Aria presente nello scambiatore di calore	Contattare l'installatore
Sono aperte porte o finestre	Chiudere porte e finestre
L'apparecchio funziona a bassa velocità	Selezionare la velocità del ventola media o alta

### Symptom 3: L'apparecchio perde

PROBABILE CAUSA	AZIONE CORRETTIVA
L'unità non è installata con la corretta inclinazione	Contattare l'installatore
Lo scarico della condensa è intasato	Contattare l'installatore

Le unità sono marcate con il seguente simbolo:



Ciò significa che i prodotti elettrici ed elettronici non possono essere mescolati con i rifiuti casalinghi non separati.

NON provate a smantellare il sistema da soli: lo smantellamento del sistema, il trattamento del refrigerante, dell'olio e di altre parti, dev'essere effettuato da un installatore autorizzato e deve rispettare la legislazione applicabile. Le unità devono essere trattate presso un impianto specializzato di lavorazione per il riutilizzo, il riciclaggio e il recupero. Assicurandovi che questo prodotto sia smaltito correttamente, aiuterete a prevenire possibili conseguenze negative per l'ambiente e la salute umana. Per ulteriori informazioni contattate il vostro installatore o l'autorità locale.



Πριν θέσετε σε λειτουργία τη μονάδα διαβάστε προσεκτικά το παρόν εγχειρίδιο. Μην το απορρίπτεται και φυλάξτε το σε ασφαλές μέρος έτσι ώστε να είναι διαθέσιμο για οποιαδήποτε μελλοντική αναφορά.

Η ακατάλληλη εγκατάσταση ή συναρμολόγηση της μονάδας ή των ανταλλακτικών μπορεί να προκαλέσουν ηλεκτροπληξία, βραχυκύκλωμα, διαρροές ή βλάβες στα άλλα συστατικά μέρη της μονάδας. Βεβαιωθείτε ότι χρησιμοποιείτε ανταλλακτικά κατασκευασμένα μόνο από την Daikin, τα οποία έχουν σχεδιαστεί ειδικά για να χρησιμοποιούνται με τη μονάδα και τα οποία θα πρέπει να τοποθετούνται από επαγγελματίες.

Επικοινωνήστε με τον εγκαταστάτη Daikin για συμβουλές και πληροφορίες σε περίπτωση αμφιβολιών σχετικά με τις διαδικασίες εγκατάστασης ή χρήσης.

## ΠΡΙΝ ΑΠΟ ΤΗΝ ΕΓΚΑΤΑΣΤΑΣΗ

Η εγκατάσταση και η συντήρηση θα πρέπει να εκτελούνται από εξειδικευμένους επαγγελματίες τεχνικούς, σύμφωνα με τους ισχύοντες κανονισμούς ασφαλείας.

Κατά την παραλαβή ελέγξτε την κατάσταση της μονάδας και βεβαιωθείτε ότι δεν έχει γίνει καμιά ζημιά κατά τη μεταφορά.

Συμβουλευτείτε τα δελτία τεχνικών δεδομένων σε περίπτωση εγκατάστασης ή χρήσης των αξεσουάρ.

Προσδιορίστε το μοντέλο και την έκδοση της μονάδας από τις ενδείξεις που αναγράφονται στο χαρτόνι της συσκευασίας.

## ΟΡΙΑ ΧΡΗΣΗΣ ΚΑΙ ΛΕΙΤΟΥΡΓΙΑΣ

Η Daikin δεν μπορεί να θεωρηθεί υπεύθυνη αν

- η μονάδα έχει εγκατασταθεί από μη εξειδικευμένο προσωπικό,
- η μονάδα έχει χρησιμοποιηθεί με εσφαλμένο τρόπο,
- η μονάδα έχει χρησιμοποιηθεί υπό συνθήκες που δεν επιτρέπονται,
- δεν έχουν εκτελεστεί οι επεμβάσεις συντήρησης που καθορίζονται στο παρόν εγχειρίδιο,
- αν δεν έχουν χρησιμοποιηθεί γνήσια ανταλλακτικά.

Για την αποφυγή της επικάλυψης σκόνης στο εσωτερικό της, αφήστε τη μονάδα μέσα στη συσκευασία της μέχρι τη στιγμή της πραγματικής εγκατάστασης.

Ο αέρας αναρρόφησης της μονάδας πρέπει πάντα να φιλτράρεται. Χρησιμοποιείτε πάντα το φίλτρο του αέρα που παρέχεται.

Αν η μονάδα δεν χρησιμοποιείται κατά τη χειμερινή περίοδο, αφαιρέστε το νερό που υπάρχει στο σύστημα για την πρόληψη των ζημιών από το σχηματισμό πάγων. Αν χρησιμοποιείτε αντιψυκτικό, ελέγχετε το σημείο πήξης.

Μην κάνετε αλλαγές στις εσωτερικές ηλεκτρικές συνδέσεις ή σε άλλα συστατικά μέρη της μονάδας.

Παρακάτω αναφέρονται τα όρια λειτουργίας της μονάδας, ενώ όλες οι άλλες χρήσεις θεωρούνται ακατάλληλες:

- Θερμομεταφορέας: νερό/γλυκόλη
- Θερμοκρασία του νερού: 5°C~95°C
- Μέγιστη λειτουργική πίεση: 10 bar
- Θερμοκρασία του αέρα: -20°C~43°C
- ανοχή τάσης: ±10%
- Όριο σχετικής υγρασίας του αέρα περιβάλλοντος: RH<85% χωρίς συμπύκνωση

Επιλογή της θέσης εγκατάστασης:

Συσκευές σχεδιασμένες για τον κλιματισμό του αέρα περιβάλλοντος, που προορίζονται για χρήση σε εφαρμογές άνεσης σε κτίρια

- μην εγκαθιστάτε τη μονάδα σε χώρους όπου υπάρχουν εύφλεκτα αέρια,
- μην κατευθύνετε τη ρίψη νερού απευθείας στη μονάδα,
- εγκαταστήστε τη μονάδα σε οροφές και τοίχους που είναι σε θέση να αντέξουν το βάρος. Στην περιοχή γύρω από τη μονάδα, αφήστε αρκετό χώρο για τις διάφορες εργασίες και την εκτέλεση των απαραίτητων επεμβάσεων συντήρησης, λαμβάνοντας υπόψη όλα τα εγκατεστημένα προαιρετικά αξεσουάρ,
- μην τοποθετείτε τη μονάδα θέρμανσης ακριβώς κάτω από ρευματολήπτη/ρευματοδότη.

## ΠΕΡΙΓΡΑΦΗ ΤΗΣ ΜΟΝΑΔΑΣ

Η σειρά FWN των εξοπλισμών κλιματισμού και θέρμανσης του αέρα έχει επεκταθεί και σε χώρους για κλιματισμό που απαιτούν την εγκατάσταση μονάδων σωλήνωσης.

## Βασικά συστατικά μέρη

- **Φέρουσα κατασκευή** από ψευδαργυρικό χαλυβδοέλασμαειδικού πάχους, δεόντως μονωμένη με αντισυμπυκνωτικό υλικό ηχητικής μόνωσης, αυτοσβενόμενο κατηγορίας 1. Ολοκληρωμένη με πίνακες επιθεώρησης.
- **Ανεμιστήρας** με μονό ή διπλό τροχό του ανεμιστήρα, διπλής εισόδου φυγοκεντρικού τύπου, με πτερωτές ισοροπημένες στατικά και δυναμικά, συνδεδεμένο ηλεκτροκινητήρα με μόνιμους μαγνήτες, με μόνιμο πυκνωτή και συσκευή ασφαλείας. Η μονάδα διαθέτει πλακέτα inverter ελέγχου του κινητήρα, που επιτρέπει την ακριβή ρύθμιση της ταχύτητας περιστροφής του κινητήρα (σήμα ελέγχου 0-10V)
- **Τερματικό.**
- **Εναλλάκτης θερμότητας:** χαρακτηρίζεται από υψηλή απόδοση και είναι κατασκευασμένος από σωλήνες χαλκού με πτερύγια αλουμινίου στερεωμένα στους σωλήνες με μηχανική εκτόνωση. Διαθέτει συλλέκτες χαλκού και βαλβίδες αέρα. Ο εναλλάκτης θερμότητας παρέχεται συνήθως με τις συνδέσεις στην αριστερή πλευρά, αλλά είναι δυνατό να περιστρέφεται κατά 180°.
- **Σύστημα συλλογής και εκφόρτωσης συμπυκνώματος,** κατάλληλο τόσο για την εφαρμογή σε οροφή όσο και σε τοίχο. Όλα τα μοντέλα της σειράς FWN μπορούν να τοποθετηθούν είτε οριζόντια είτε κάθετα.
- **Στοιχείο εισόδου αέρα με φίλτρο αέρα**

### ■ Στοιχείο εισόδου αέρα

Κατασκευασμένος από ψευδαργυρικό χαλυβδοέλασμα. Αυτοί οι συντελεστές επιτρέπουν το φιλτράρισμα του αέρα αναρρόφησης από τη μονάδα και τη σύνδεση της μονάδας στον αγωγό του αέρα εισόδου.

### ■ Φίλτρο αέρα:

Κατασκευασμένο από ακρυλικό υλικό, το φίλτρο είναι αυτοσβενόμενο κατηγορίας 1 με κατηγορία φιλτραρίσματος 2 της ΕΕ.

Το φίλτρο μπορεί να εισαχθεί ή να αφαιρεθεί και στερεώνεται με δύο κουμπιά με σπειρωτούς ατράκτους M4.

Μπορείτε να καθαρίσετε και να αποκαταστήσετε το υλικό φιλτραρίσματος διατηρώντας την αποτελεσματικότητα του φίλτρου και εξασφαλίζοντας τον περιορισμό των απωλειών.

### ■ Το kit των αξεσουάρ περιλαμβάνει

- Φέρουσα κατασκευή από ψευδαργυρικό χαλυβδοέλασμα
- Φίλτρο που αφαιρείται τύπου κασέτας (αφαιρείται σαν συρτάρι)
- Αυτοκοχλιούμενες βίδες στερέωσης

## Παράδειγμα εγκατάστασης

(Βλ. σχεδιάγραμμα 1)

- 1 Μονάδα FWN
- 2 Στοιχείο εισόδου αέρα με φίλτρο αέρα

## ΔΙΑΣΤΑΣΕΙΣ

■ Στοιχείο εισόδου με επίπεδο φίλτρο κατηγορίας EU 2 (Βλ. σχεδιάγραμμα 2)

■ Μονάδα στάνταρντ (Βλ. σχεδιάγραμμα 5)

Οι διαστάσεις που υπάρχουν αριστερά αφορούν τις υδραυλικές συνδέσεις αριστερά και οι διαστάσεις που υπάρχουν δεξιά αφορούν τις υδραυλικές συνδέσεις δεξιά.

- 1 6 υποδοχές γρήγορης σύνδεσης
- 2 Εκφόρτωση του συμπυκνώματος – οριζόντια εγκατάσταση
- 3 Εκφόρτωση του συμπυκνώματος – οριζόντια εγκατάσταση
- 4 Υδραυλικές συνδέσεις  
4 = στάνταρντ εναλλάκτης θερμότητας  
4 DF = συμπληρωματικός εναλλάκτης θερμότητας
- 5 Έξοδος αέρα
- 6 Είσοδος αέρα  
6A = όροι παράδοσης  
6B = τροποποίηση κατά την εγκατάσταση
- 7 Στοιχείο στρογγυλεμένο κομμένο εκ των προτέρων (Ø100 mm) για την είσοδο του φρέσκου αέρα

## ΕΓΚΑΤΑΣΤΑΣΗ



Οι συσκευές κλιματισμού και θέρμανσης του αέρα FWN μπορούν να εγκατασταθούν είτε σε οριζόντια είτε σε κάθετη θέση. Βεβαιωθείτε ότι η επιθυμούμενη εγκατάσταση είναι σύμφωνη με ένα από τα σχεδιαγράμματα που απεικονίζονται στην εικόνα 3, όπου και οι δύο δυνατές διαμορφώσεις (AA ή AB) είναι κατάλληλες για τη λειτουργία της θέρμανσης και της ψύξης.



Κατά την κανονική λειτουργία, με τον ανεμιστήρα στην ελάχιστη ταχύτητα και με αέρα περιβάλλοντος με υψηλή σχετική υγρασία ειδικότερα, ενδέχεται να σχηματιστεί συμπύκνωμα στην παροχή αέρα και σε ορισμένα τμήματα της εξωτερικής δομής της συσκευής. Για την αποφυγή τέτοιων φαινομένων, πάντα εντός των ορίων λειτουργίας που προβλέπονται για τη συσκευή, θα πρέπει να περιοριστεί η (μέση) θερμοκρασία του νερού στο εσωτερικό του εναλλάκτη. Ειδικότερα, η διαφορά μεταξύ της θερμοκρασίας ψύξης του αέρα (TA, DP) και της μέσης θερμοκρασίας του νερού (TWM) ΔΕΝ ΠΡΕΠΕΙ να είναι μεγαλύτερη από 14°C, σύμφωνα με τον τύπο:  $TW > TA, DP - 14 \text{ } ^\circ\text{C}$

Παράδειγμα: εάν η θερμοκρασία περιβάλλοντος είναι 25°C και η σχετική υγρασία 75%, τότε η τιμή της θερμοκρασίας ψύξης ισούται με 20°C περίπου και επομένως η μέση θερμοκρασία του νερού στην μπαταρία θα πρέπει να είναι μεγαλύτερη από  $20 - 14 = 6 \text{ } ^\circ\text{C}$  προκειμένου να αποφευχθούν φαινόμενα συμπύκνωσης. Σε περίπτωση παρατεταμένης παύσης του τερματικού, με τον ανεμιστήρα κλειστό και με κυκλοφορία κρύου νερού στον εναλλάκτη, είναι πιθανό να σχηματιστεί συμπύκνωμα ακόμα και στο εξωτερικό μέρος της συσκευής. Σε αυτή την περίπτωση συστήνεται η εγκατάσταση τρίοδης βαλβίδας (ή δίοδης) έτσι ώστε να διακοπεί η ροή νερού προς την μπαταρία όταν ο ανεμιστήρας είναι ακινητοποιημένος

## Οριζόντια ή κάθετη εγκατάσταση

(Βλ. σχεδιάγραμμα 3)

- AA** Η είσοδος και η έξοδος του αέρα είναι σύμφωνες  
**AB** Η είσοδος του αέρα δεν είναι σύμφωνη με την έξοδο του αέρα

## Διαμόρφωση της μονάδας

οι μονάδες παρέχονται πάντα στη διαμόρφωση AA, αλλά μπορείτε να αλλάξετε τη θέση της εισόδου του αέρα κατά τη φάση της εγκατάστασης.

Περιγραφή του kit (Βλ. σχεδιάγραμμα 6)

- 1 Πάνω πίνακας κλεισίματος
- 2 Κάτω πίνακας κλεισίματος
- 3 Στοιχείο κομμένο εκ των προτέρων για την είσοδο του αέρα από έξω
- 4 Φυγοκεντρικοί ανεμιστήρες
- 5 Εναλλάκτης θερμότητας στάνταρντ
- 6 Συμπληρωματικός εναλλάκτης θερμότητας (DF)
- 7 Δεξαμενή συμπυκνώματος για εγκαταστάσεις σε τοίχο (σωλήνας Ø3/8")
- 8 Δεξαμενή συμπυκνώματος για εγκαταστάσεις σε οροφή (σωλήνας Ø3/8")
- 9 Υδραυλικές συνδέσεις του εναλλάκτη θερμότητας
- 10 Συνδέσεις εκφόρτωσης συμπυκνώματος
- 11 Τερματικό
- 12 Φέρουσα κατασκευή

Σας συνιστούμε να εγκαταστήσετε όλα τα αξεσουάρ επί της μονάδας στάνταρντ πριν την τοποθετήσετε στην καθορισμένη θέση, λαμβάνοντας υπόψη τις τεχνικές προδιαγραφές.

Το τμήμα των σωλήνων εισόδου και εξόδου είναι ορθογώνιο και εξοπλισμένο με οπές για τη στερέωση των πιθανών διαθέσιμων αξεσουάρ. Και στις δύο πλευρές των πάνελ της μονάδας υπάρχει ένα στρογγυλεμένο κομμένο εκ των προτέρων στοιχείο (Ø100 mm) για την άμεση είσοδο του φρέσκου αέρα.

Αν η εγκατάσταση είναι διαφορετική από τους όρους της παράδοσης, θα πρέπει να αλλάξετε τη διάταξη αποσυναρμολογώντας τη μονάδα όπως ορίζεται στο σχεδιάγραμμα 6.

Μπορείτε να κατευθύνετε τις συνδέσεις του εναλλάκτη στην αντίθετη πλευρά ως εξής:

- 1 αφαιρέστε τους πάνω και κάτω πίνακες κλεισίματος (1+2),
- 2 αφαιρέστε τη δεξαμενή συμπυκνώματος για την οριζόντια εγκατάσταση (8),
- 3 χαλαρώστε τις βίδες στερέωσης του στηρίγματος του κινητήρα, χωρίς να τις ξεβιδώσετε τελείως (7),
- 4 αφαιρέστε τον εναλλάκτη θερμότητας (5) ξεβιδώνοντας τις 4 βίδες στερέωσης, αφαιρέστε τον και γυρίστε τον. Στη συνέχεια αφαιρέστε τα κομμένα εκ των προτέρων στοιχεία στον πίνακα της αντίθετης πλευράς, βάλτε ξανά τον εναλλάκτη θερμότητας και σφίξτε τις βίδες,
- 5 συναρμολογήστε ξανά τα συστατικά μέρη που αναφέρθηκαν προηγουμένως,
- 6 σταματήστε τις οπές εξόδου των συλλεκτών που χρησιμοποιήθηκαν προηγουμένως με μονωτικό αντισυμπυκνωτικό υλικό.

## Εγκατάσταση της συσκευής

Στερεώστε τη στάνταρντ μονάδα στην οροφή ή στον τοίχο χρησιμοποιώντας τουλάχιστον 4 από τις 6 υποδοχές.

■ **Για την οριζόντια εγκατάσταση (τοποθέτηση σε οροφή)** σας συνιστούμε να χρησιμοποιήσετε της σπειρωτές ράβδους M8, τις βίδες σύνδεσης κατάλληλες για το βάρος της μονάδας και να προνοήσετε για την τοποθέτηση της μονάδας χρησιμοποιώντας 2 μπουλόνια M8 και μία ροδέλλα με διάμετρο που να ταιριάζει στην υποδοχή για τη στερέωση της μονάδας. Πριν σφίξετε το παξιμάδι ελέγχου, ρυθμίστε το κλείσιμο του βασικού παξιμαδιού έτσι ώστε η μονάδα να έχει τη σωστή κλίση, για παράδειγμα για να διευκολυνθεί η εκφόρτωση του συμπυκνώματος (συμβουλευτείτε σχεδιάγραμμα 4).

Η σωστή κλίση επιτυγχάνεται γέροντας την είσοδο προς τα κάτω σε σχέση με την έξοδο, μέχρι να επιτευχθεί μία διαφορά του επιπέδου των 10 mm περίπου μεταξύ του ενός άκρου και του άλλου. Εκτελέστε τις υδραυλικές συνδέσεις με τον εναλλάκτη θερμότητας και για τις λειτουργίες ψύξης με την εκφόρτωση του συμπυκνώματος. Χρησιμοποιείστε μία από τις 2 εκφορτώσεις της βοηθητικής δεξαμενής, που βρίσκεται στα εξωτερικούς πλαιούς πίνακες της μονάδας (βλ. σχεδιάγραμμα 5): εκφόρτωση του οριζόντιου (δεξαμενή) και κάθετου συμπυκνώματος.

■ **Για τις κάθετες τοποθετήσεις (σε τοίχο)**, στερεώστε τη μονάδα έτσι ώστε το νερό να ρέει μακριά προς την εκφόρτωση του χρησιμοποιημένου συμπυκνώματος. Είναι αρκετή μία κλίση ισοδύναμη με τη διαφορά του επιπέδου μεταξύ των δύο πλάγιων πινάκων των 5 mm περίπου.

Οι δύο σωλήνες για την εκφόρτωση του συμπυκνώματος της βασικής δεξαμενής βρίσκονται στο εσωτερικό των πλαϊνών πινάκων και είναι προσβάσιμοι μέσω του περάσματος τύπου μεμβράνης που θα πρέπει να τρυπηθεί για να περαστεί ο σωλήνας εκφόρτωσης.

Σας συνιστούμε να μη μετακινήσετε το λεγόμενο πέρασμα τύπου μεμβράνης γιατί, με την πάροδο του χρόνου, εμποδίζει την αιχμηρή άκρη της σπής επί του πλάγιου πίνακα να καταστρέψει το σωλήνα εκφόρτωσης συμπυκνώματος.

- **Για να συνδέσετε τη μονάδα στη γραμμή εκφόρτωσης συμπυκνώματος,** χρησιμοποιείστε έναν εύκαμπτο λαστιχένιο σωλήνα και στερεώστε τον στον προεπιλεγμένο σωλήνα εκφόρτωσης (Ø3/8") μέσω μιας μεταλλικού σφιγκτήρα (χρησιμοποιείστε την εκφόρτωση που βρίσκεται στο πλάι των υδραυλικών συνδέσεων).

Για τη διευκόλυνση της αποστράγγισης του συμπυκνώματος, γύρτε το σωλήνα εκφόρτωσης προς τα κάτω τουλάχιστον 30 mm/m και βεβαιωθείτε ότι σε όλη τη διαδρομή δεν έχει λυγίσει ή φράξει από κάτι.

- **Τοποθέτηση του φίλτρου αέρα.** Όσον αφορά την είσοδο, το στοιχείο του φίλτρου πρέπει να τοποθετηθεί στην ίδια γραμμή της εξόδου (διαμόρφωση AA) ή σε 90° σε σχέση με τη μονάδα (διαμόρφωση AB). Στην τελευταία περίπτωση ο κάτω μπροστινός πίνακας κλεισίματος πρέπει να μετακινηθεί ρυθμίζοντας τις 6 βίδες που το στερεώνουν στη μονάδα. Ο πίνακας στη συνέχεια τοποθετείται στο κάτω μέρος της μονάδας.

Και οι δύο άκρες του στοιχείου φίλτραρίσματος στη συνέχεια διατρυπώνται για να έχουν αντιστοιχία με τις οπές εισόδου τροφοδοσίας της μονάδας.

Σε αυτήν την περίπτωση θα είναι δυνατή η ζεύξη του στοιχείου στο άλλο άκρο της μονάδας, έτσι ώστε η θέση των οπών να αντιστοιχούν ακριβώς σε εκείνη των οπών της εισόδου τροφοδοσίας της μονάδας επεξεργασίας του αέρα.

Οι οπές που υπάρχουν σε μία από τις άκρες του στοιχείου έχουν διάμετρο 5 mm, αυτό είναι το μέρος που θα πρέπει να συνδεθεί απευθείας στη μονάδα.

Στο άλλο άκρο, η διάμετρος των οπών είναι 3,5 mm για να εξασφαλιστεί ότι οι βίδες που χρησιμοποιούνται για τη στερέωση των άλλων συστατικών μερών (δεν παρέχονται) είναι καλά σφιγμένες.

Οι συνολικές διαστάσεις αναφέρονται στο σχεδιάγραμμα 2.

- Η τοποθέτηση του στοιχείου του φίλτρου απεικονίζεται σχηματικά στο:
  - σχεδιάγραμμα 9: τοποθέτηση των εννοτήτων εισόδου φίλτρου επί FWN με διαμόρφωση AA;
  - σχεδιάγραμμα 10: τοποθέτηση των εννοτήτων εισόδου φίλτρου επί FWN με διαμόρφωση AB.

Χρήση των βιδών αυτοκοχλιοτόμησης που υπάρχουν στο kit.

## Κανόνες που πρέπει να τηρούνται

- Με απενεργοποιημένες αντλίες, εξαερώστε τον αέρα που προέρχεται από τον εναλλάκτη θερμότητας με τις βαλβίδες αέρα που βρίσκονται κοντά στις συνδέσεις του ίδιου του εναλλάκτη θερμότητας.
- Κατά την εφαρμογή ενός συστήματος τύπου καναλιών, σας συνιστούμε να χρησιμοποιείτε τα σωστά μονωτικά (δεν παρέχονται) μεταξύ των καναλιών και της μονάδας.
- Αν επιθυμείτε να εγκαταστήσετε ένα στοιχείο για την ηλεκτρική αντίσταση (EDEL) ως αξεσουάρ, το σωστό μονωτικό εξόδο πρέπει να είναι ανθεκτικό στη θερμότητα.
- Τα κανάλια, ιδιαίτερα εκείνο της εξόδου, πρέπει να μονώνεται με αντισυμπυκνωτικό υλικό.
- Τακτοποιήστε έναν πίνακα επιθεώρησης κοντά στη συσκευή για τις εργασίες συντήρησης και καθαρισμού.
- Τοποθετήστε τον πίνακα ελέγχου στον τοίχο. Επιλέξτε μία θέση με εύκολη πρόσβαση για να μπορείτε να εκτελείτε τις ρυθμίσεις των λειτουργιών και για την ανίχνευση της θερμοκρασίας. Αν μπορείτε αποφυγείτε θέσεις που είναι άμεσα εκτεθειμένες στο ηλιακό φως ή θέσεις που υπόκεινται σε ζεστά ρεύματα αέρα ή απευθείας κρούση αέρα. Μην βάζετε κανένα είδους αντικειμένου που μπορεί να φράξει τη σωστή ανάγνωση της θερμοκρασίας.

## ΣΥΝΔΕΣΕΙΣ ΠΟΥ ΠΡΕΠΕΙ ΝΑ ΓΙΝΟΥΝ ΤΟΠΙΚΑ



Τόσο οι ηλεκτρικές συνδέσεις όσο και η εγκατάσταση κάθε συστατικού μέρους πρέπει να εκτελείται αποκλειστικά από έναν εξειδικευμένο ηλεκτρολόγο και σύμφωνα με τις σχετικές προδιαγραφές των εθνικών και τοπικών κανονισμών που ισχύουν.

Εκτελέστε τις ηλεκτρικές συνδέσεις μετά την αποσύνδεση του ρεύματος. Για τις διάφορες επιλογές, συμβουλευτείτε το σχετικό εγχειρίδιο.

Βεβαιωθείτε ότι η παροχή ρεύματος ταιριάζει με την ονομαστική παροχή ρεύματος που αναφέρεται στον πίνακα πληροφοριών της συσκευής.

Κάθε συσκευή χρειάζεται ένα διακόπτη (IL) επί της ηλεκτρικής παροχής με απόσταση τουλάχιστον 3 mm μεταξύ των επαφών ανοίγματος και την κατάλληλη ασφάλεια (F).

Η ηλεκτρική κατανάλωση υποδεικνύεται στα δεδομένα που αναφέρονται στον πίνακα πάνω στη συσκευή.

Βεβαιωθείτε ότι έχετε εκτελέσει τις ηλεκτρικές συνδέσεις σύμφωνα με το συνδυασμό μονάδας/ελεγκτή και σύμφωνα με το ηλεκτρικό σχήμα που παρέχεται με κάθε αξεσουάρ.

Για να εκτελέσετε τις ηλεκτρικές συνδέσεις θα πρέπει να αφαιρέσετε τον κάτω πίνακα κλεισίματος (βλ. σχεδιάγραμμα 6) και να εισέλθετε επομένως στον ακροδέκτη.

Τα καλώδια τροφοδοσίας (τροφοδοσία και έλεγχος) θα πρέπει να επεκταθούν στον ηλεκτρικό ακροδέκτη μέσω του περάσματος μεμβράνης που βρίσκεται στον πλάγιο πίνακα της αντίθετης πλευράς των υδραυλικών συνδέσεων της μονάδας.

Σχεδιάγραμμα 7 δείχνει το ηλεκτρικό διάγραμμα του FWN χωρίς πίνακα ελέγχου.

Η μονάδα διαθέτει πλακέτα inverter ελέγχου του κινητήρα, που επιτρέπει την ακριβή ρύθμιση της ταχύτητας περιστροφής του κινητήρα (σήμα ελέγχου 0-10V)

## Πίνακας ηλεκτρικών συστατικών μερών (βλ. σχεδιάγραμμα 7)

L .....	Φάση
⊕ .....	Γείωση
N .....	Ουδέτερο
CN.....	Συνδετήρας
F .....	Ασφάλεια (δεν παρέχεται)
IL .....	Διακόπτης της γραμμής (δεν παρέχεται)
0-10V .....	Σήμα ελέγχου
COM.....	Κοινό σήμα ελέγχου

## ΔΟΚΙΜΗ ΛΕΙΤΟΥΡΓΙΑΣ

Βεβαιωθείτε ότι η συσκευή έχει εγκατασταθεί έτσι ώστε να εξασφαλίζεται η απαραίτητη κλίση.

Βεβαιωθείτε ότι η εκφόρτωση του συμπυκνώματος δεν έχει φράξει (από εναποθέσεις μικρών αποτριμμάτων, κλπ.)

Ελέγξτε τη στεγανότητα των υδραυλικών συνδέσεων.

Βεβαιωθείτε ότι οι ηλεκτρικές συνδέσεις είναι καλά σφιγμένες (εκτελέστε αυτόν τον έλεγχο με τάση σε OFF).

Βεβαιωθείτε ότι η έκλυση του εναλλάκτη θερμότητας έχει εκτελεστεί σωστά.

Εισέλθετε στο βασικό διακόπτη και ελέγξτε τη λειτουργία της συσκευής.

## ΧΡΗΣΗ

Για πληροφορίες σχετικά με τη χρήση της συσκευής, συμβουλευτείτε τις οδηγίες που υπάρχουν στο εγχειρίδιο εγκατάστασης και λειτουργίας της μονάδας ελέγχου. Οι μονάδες ελέγχου είναι διαθέσιμες ως αξεσουάρ.



## ΣΥΝΤΗΡΗΣΗ ΚΑΙ ΚΑΘΑΡΙΣΜΟΣ

Για λόγους ασφάλειας, πριν την εκτέλεση οποιασδήποτε επέμβασης συντήρησης ή καθαρισμού, σβήστε τη μονάδα και αφαιρέστε την τάση, μεταφέροντας το διακόπτη της γραμμής σε OFF.

### Συντήρηση

Οι εργασίες συντήρησης των εξοπλισμών κλιματισμού και θέρμανσης του αέρα περιορίζονται στον περιοδικό καθαρισμό του φίλτρου αέρα και του εναλλάκτη θερμότητας, καθώς και στον έλεγχο της σωστής λειτουργίας της εκφόρτωσης του συμπυκνώματος.

Μόνο το εξειδικευμένο προσωπικό μπορεί να εκτελέσει τις εργασίες συντήρησης.

Κατά τη διάρκεια όλων των επεμβάσεων συντήρησης, να είστε ιδιαίτερα προσεκτικοί: η τυχαία επαφή με ένα από τα συστατικά μεταλλικά μέρη μπορεί να προκαλέσει τραυματισμό, επομένως σας συνιστούμε να φορέιτε γάντια εργασίας.

Κάθε φορά που ενεργοποιούνται οι μονάδες που έχουν παραμείνει στάσιμες για μεγάλο χρονικό διάστημα, να ελέγχετε ότι ΔΕΝ υπάρχει αέρα στον εναλλάκτη θερμότητας.

Ο κινητήρας δεν απαιτεί συντήρηση γιατί διαθέτει ρουλεμάν αυτόματης λίπανσης.

### Καθαρισμός του φίλτρου αέρα

Αφαιρέστε την τάση από τη μονάδα μεταφέροντας το διακόπτη της γραμμής σε OFF.

Για τον καθαρισμό του φίλτρου αέρα, προχωρήστε ως εξής (σχεδιάγραμμα 6)

■ Εισέλθετε στον εξοπλισμό μέσω του πίνακα επιθεώρησης και αφαιρέστε το φίλτρο αέρα όπως φαίνεται στο σχεδιάγραμμα 8, ξεβιδώνοντας τις λαβές στερέωσης.

■ Αν αντίθετα το φίλτρο βρίσκεται στο εσωτερικό του πλέγματος εισόδου, αφαιρέστε το πλέγμα και εκτελέστε τις εργασίες που περιγράφονται στη συνέχεια.

(Βλ. σχεδιάγραμμα 8)

- 1 Στοιχείο εισόδου αέρα με φίλτρο αέρα.
- 2 Φίλτρο αέρα, στερεωμένο στην ενότητα εισόδου με βίδες, αφαιρείται όπως ένα συρτάρι.

■ Πλύνετε το φίλτρο με χλιαρό νερό ή στην περίπτωση σκόνης που έχει ξεραθεί με πεπιεσμένο αέρα.

■ Τοποθετήστε ξανά το φίλτρο αφού το έχετε στεγνώσει καλά.

### Καθαρισμός του εναλλάκτη θερμότητας

Σας συνιστούμε να ελέγξετε την κατάσταση του εναλλάκτη θερμότητας πριν αρχίσει η θερινή περίοδος. Βεβαιωθείτε επίσης ότι τα περυσία δεν έχουν φράξει με απορρίμματα.

Για να έχετε πρόσβαση στον εναλλάκτη θερμότητας, αφαιρέστε τον πίνακα εξόδου και τη δεξαμενή του συμπυκνώματος. Αφού πλησιάσετε τον εναλλάκτη θερμότητας, καθαρίστε με πεπιεσμένο αέρα ή με ατμό χαμηλής πίεσης χωρίς να καταστρέψετε τα περυσία.

Πριν τον ενεργοποιήσετε το καλοκαίρι, βεβαιωθείτε ότι το συμπύκνωμα εκφορτώνεται τακτικά.

#### ΣΗΜΕΙΩΣΗ



Μία συντήρηση και ένας σωστός και τακτικός καθαρισμός επιτρέπουν μια μεγαλύτερη απόδοση και εξοικονόμηση ενέργειας.

## ΟΔΗΓΙΕΣ ΑΠΟΡΡΙΨΗΣ

Η απόρριψη της συσκευής πρέπει να εκτελείται σύμφωνα με τους ισχύοντες τοπικούς και εθνικούς κανονισμούς.

### ΔΙΑΓΝΩΣΗ ΤΩΝ ΑΝΩΜΑΛΙΩΝ

Αν η συσκευή δεν λειτουργεί σωστά, ελέγξτε πρώτα τα σημεία σημεία που αναφέρονται στον παρακάτω πίνακα πριν ζητήσετε τεχνική βοήθεια.

Αν το πρόβλημα παραμένει, επικοινωνήστε με τον αντιπρόσωπο εμπιστοσύνης ή το κέντρο τεχνικής υποστήριξης.

#### Σύμπτωμα 1: Η συσκευή δεν λειτουργεί καθόλου

ΠΙΘΑΝΗ ΑΙΤΙΑ	ΔΙΟΡΘΩΤΙΚΗ ΕΝΕΡΓΕΙΑ
Διακοπή της τροφοδοσίας	Επαναφορά της τροφοδοσίας
Έχει πέσει ο αυτόματος θερμομαγνητικός διακόπτης	Επικοινωνήστε με το κέντρο τεχνικής υποστήριξης
Ο διακόπτης είναι σε θέση STOP ("0")	Μεταφέρετε τη συσκευή σε ON, επιλέξτε "1"

#### Σύμπτωμα 2: Ανεπαρκής ψύξη ή θέρμανση

ΠΙΘΑΝΗ ΑΙΤΙΑ	ΔΙΟΡΘΩΤΙΚΗ ΕΝΕΡΓΕΙΑ
Φίλτρο αέρα βρώμικο ή φραγμένο	Καθαρίστε το φίλτρο αέρα
Εμπόδιο κοντά στην είσοδο ή στην έξοδο του αέρα	Αφαιρέστε το εμπόδιο
Υπάρχει αέρας στον εναλλάκτη θερμότητας	Επικοινωνήστε με τον εγκαταστάτη
Είναι ανοιχτές πόρτες ή παράθυρα	Κλείστε πόρτες και παράθυρα
Η συσκευή λειτουργεί σε χαμηλή ταχύτητα	Επιλέξτε μέση ή υψηλή ταχύτητα του ανεμιστήρα

#### Σύμπτωμα 3: Η συσκευή χάνει

ΠΙΘΑΝΗ ΑΙΤΙΑ	ΔΙΟΡΘΩΤΙΚΗ ΕΝΕΡΓΕΙΑ
Η μονάδα δεν έχει τοποθετηθεί με τη σωστή κλίση	Επικοινωνήστε με τον εγκαταστάτη
Η εκφόρτωση συμπυκνώματος έχει φράξει	Επικοινωνήστε με τον εγκαταστάτη

Οι μονάδες σημειώνονται με το ακόλουθο σύμβολο:



Αυτό σημαίνει ότι τα ηλεκτρικά και ηλεκτρονικά προϊόντα δεν πρέπει να αναμειγνύονται με τα υπόλοιπα οικιακά απορρίμματα. Μην επιχειρήσετε να αποσυναρμολογήσετε το σύστημα μόνη σας: η διάλυση του συστήματος, η μεταχείριση του ψυκτικού υγρού, του λαδιού και των άλλων συστατικών μερών πρέπει να γίνεται από έναν εξουσιοδοτημένο τεχνικό εγκατάστασης και σύμφωνα με την ισχύουσα νομοθεσία. Η μεταχείριση των μονάδων πρέπει να γίνεται σε ειδικές εγκαταστάσεις επεξεργασίας για την επαναχρησιμοποίηση, ανακύκλωση και ανάκτηση. Βεβαιωθείτε ότι το προϊόν αυτό διατίθεται σωστά, θα βοηθήσει στην πρόληψη πιθανών αρνητικών επιπτώσεων για το περιβάλλον και την ανθρώπινη υγεία. Για περισσότερες πληροφορίες επικοινωνήστε με τον τεχνικό εγκατάστασης ή με την τοπική αρχή.



Leia este manual atentamente antes de ligar a unidade. Não o deite fora. Arquive-o, para o poder consultar posteriormente.

A instalação ou fixação inadequadas do equipamento ou dos acessórios pode provocar choques eléctricos, curto-circuitos, fugas, incêndio ou outros danos no equipamento. Assegure-se de que utiliza apenas acessórios fabricados pela Daikin, especificamente concebidos para serem utilizados com o equipamento e assegure-se de que são instalados por um profissional.

Se tiver dúvidas sobre os procedimentos de instalação ou utilização, contacte sempre o seu revendedor Daikin para obter esclarecimentos e informações.

## ANTES DE INSTALAR

A instalação e a manutenção devem ser efectuadas por pessoal técnico qualificado para este tipo de equipamentos, segundo as normas de segurança em vigor.

Quando receber a unidade, verifique o estado em que esta se encontra, pois pode ter-se danificado durante o transporte.

Para instalar e utilizar algum acessório, consulte a ficha técnica respectiva.

Obtenha o modelo e a versão da unidade, através das indicações constantes da embalagem em cartão.

## UTILIZAÇÃO E LIMITES DE FUNCIONAMENTO

A Daikin não se responsabiliza:

- se a unidade for instalada por pessoal não-qualificado;
- se a unidade for utilizada de forma incorrecta;
- se a unidade tiver sido utilizada em condições não permitidas;
- se as operações de manutenção, especificadas neste manual, não tiverem sido efectuadas;
- se a substituição de peças não utilizar peças sobressalentes originais.

Mantenha a unidade embalada até ao momento de instalação, para evitar a acumulação de pó no interior.

O ar aspirado pela unidade deve ser sempre filtrado. Utilize sempre o filtro de ar que é fornecido com a unidade.

Se a unidade não for utilizada durante o Inverno, drene a água do sistema, para evitar danos provocados pela formação de gelo. Se utilizar anti-congelante, verifique qual é a temperatura de congelação.

Não altere as ligações eléctricas internas, nem outras partes da unidade.

Apresentam-se de seguida os limites de funcionamento. A utilização fora destas gamas é inadequada.

- fluido térmico: água/glicol
- temperatura da água: 5°C–95°C
- pressão máxima de funcionamento: 10 bar
- temperatura do ar: –20°C–43°C
- tolerância de tensão: ± 10%
- Limite de humidade relativa do ar ambiente: RH < 85% não condensante

Seleção do local: Aparelhos projetados para a climatização do ar ambiente e destinados à utilização em aplicações de conforto civil

- não instale a unidade em salas que contenham gases inflamáveis;
- não permita que a unidade receba salpicos;
- instale a unidade em tectos ou paredes que lhe suportem o peso; deixe espaço livre suficiente em redor da unidade, para permitir funcionamento e manutenção adequados (tenha em conta todos os acessórios opcionais que instale);
- nunca coloque a unidade de aquecimento junto de tomadas eléctricas.

## DESCRIÇÃO DO EQUIPAMENTO

A gama FWN de unidades de ar condicionado e de termo-ventilação foi concebida para divisões onde é necessária a instalação de unidades com conduta.

### Componentes principais

- **Estrutura de suporte** de carga feita em folha de aço galvanizado, da espessura adequada, com os devidos isolamento sonoro, material anti-condensação e auto-extinguível na classe 1. Inclui painéis de acesso.
- **Unidade ventilo-convectora** com ventoinha simples ou dupla, entrada dupla do tipo centrífugo; possui impulsores com equilíbrio estático ou dinâmico, emparelhados directamente ao motor de magnetos permanentes. A unidade é dotada de placa inverter de controlo do motor, que permite uma exata configuração da velocidade de rotação (sinal de control 0-10V).
- **Placa de bornes.**
- **Permutador de calor:** altamente eficiente, feito de tubo de cobre e aletas de alumínio, fixas aos tubos por expansão mecânica. Estão equipados com colectores de latão e contêm válvulas de ar. O permutador de calor, que normalmente é fornecido com extras para esquerditos, pode ser rodado 180°.
- **Sistema para colecta e descarga de condensado,** preparado para instalação no tecto ou na parede. Todos os modelos da gama FWN podem ser instalados tanto na posição vertical como na horizontal.
- **Módulo de entrada de ar, com filtro de ar**
  - **Módulo de entrada de ar**  
Feito com folha de aço galvanizado. Estes módulos permitem filtrar o ar que é aspirado pela unidade, mas também ligar a unidade à conduta de entrada.
  - **Filtro de ar**  
Feito de material acrílico, auto-extinguível na classe 1, com filtração de classe EU 2.  
O filtro pode ser inserido ou retirado. Está fixo graças a 2 manipuladores com hastes de rosca M4.  
O material do filtro pode ser lavado e reparado, para manter a eficiência nominal de filtração, com fugas de carga limitadas.
- **O kit de acessórios contém**
  - Estrutura de suporte de carga, feita com folha de aço galvanizado
  - Filtro amovível, tipo cassete (pode-se puxar, como uma gaveta)
  - Parafusos de fixação do tipo Parker

### Exemplo de instalação

(Ver figura 1)

- 1 Unidade FWN
- 2 Módulo de entrada, com filtro de ar

■ Módulo de entrada, com classe de filtro plana EU 2 (Ver figura 2)

■ Unidade padrão (Ver figura 5)

As dimensões mencionadas do lado esquerdo estão associadas aos anexos hidráulicos da esquerda; as dimensões mencionadas do lado direito referem-se aos anexos hidráulicos da direita.

- 1 6 ranhuras de encaixe rápido
- 2 Descarga de condensado - instalações horizontais
- 3 Descarga de condensado - instalações verticais
- 4 Junções hidráulicas  
4 = permutador de calor normal  
4 DF = permutador de calor adicional
- 5 Saída de ar
- 6 Entrada de ar  
6A = condições de fornecimento  
6B = alterável durante a instalação
- 7 Elemento redondo, pré-laminado (Ø100 mm), para entrada de ar fresco

## INSTALAÇÃO



As unidades FWN de ar condicionado e termo-ventilação podem ser instaladas tanto na posição horizontal como na posição vertical. Verifique se a instalação desejada está de acordo com alguma das imagens apresentadas na figura 3, onde ambas as configurações possíveis (AA e AB) são adequadas a trabalho de aquecimento e de refrigeração.



No funcionamento normal, em particular com ventilador à mínima velocidade e ar ambiente com alta humidade relativa, é possível que se verifique formação de condensação na descarga do ar e em algumas partes da estrutura externa do aparelho. Para evitar tais fenómenos, sempre dentro dos limites operacionais previstos para o aparelho, é necessário limitar a temperatura (média) da água no interior do permutador. Em particular, a diferença entre a temperatura de orvalho do ar (TA,DP) e a temperatura média da água (TWM) NÃO DEVE ser superior a 14 °C, segundo a relação: **TW > TA,DP-14 °C**

Exemplo: no caso de ar ambiente a 25°C com 75% de humidade relativa, o valor da temperatura de orvalho é de quase 20 °C, logo, a temperatura média da água na bateria deve ser superior a 20-14 = 6 °C a fim de evitar fenómenos de condensação.

Em caso de inatividade prolongada do terminal, com ventilador parado e circulação de água fria no permutador, é possível que se forme condensação também externamente ao aparelho. Neste caso, recomenda-se instalar o acessório válvula de 3 vias (ou de 2 vias) de modo a interromper o fluxo de água na bateria quando o ventilador está parado.

### Instalação horizontal ou vertical

(Ver figura 3)

- AA A entrada e a saída do ar estão alinhadas
- AB A entrada de ar não está alinhada com a saída

### Configuração da unidade

As unidades são sempre fornecidas na configuração AA, mas a posição da entrada de ar pode ser alterada durante a instalação.

Descrição do kit (Ver figura 6)

- 1 Painel de fecho superior
- 2 Painel de fecho inferior
- 3 Elemento pré-laminado, para a entrada de ar exterior
- 4 Ventoinhas centrífugas
- 5 Permutador de calor normal
- 6 Permutador de calor adicional (DF)
- 7 Tanque de condensado para montagem na parede (tubo Ø3/8")
- 8 Tanque de condensado para montagem no tecto (tubo Ø3/8")
- 9 Anexos hidráulicos do permutador de calor
- 10 Anexos para a descarga de condensado
- 11 Placa de bornes

Aconselha-se que eventuais acessórios sejam instalados nos equipamento-padrão antes de o colocar no local final, seguindo as folhas de especificações.

As secções dos tubos de entrada e de saída são rectangulares, encontrando-se estes perfurados por orifícios de fixação para os acessórios disponíveis. Um elemento redondo pré-laminado (Ø100 mm) encontra-se nos dois painéis laterais da unidade, para entrada directa de ar fresco.

Se a instalação for diferente das condições de fornecimento, a disposição tem de ser alterada, desmontando a unidade, como se ilustra na figura 6.

É possível orientar os anexos do permutador do lado oposto, da seguinte maneira:

- 1 retire as placas de fecho inferior e superior (1+2);
- 2 retire o tanque de condensado, na instalação horizontal (8)
- 3 alivie os 4 parafusos de fixação do suporte do motor, sem os chegar a retirar (7);
- 4 retire o permutador de calor (5), retirando os 4 parafusos de fixação; puxe-o e rode-o; elimine os elementos pré-laminados, no painel lateral oposto; volte a introduzir o permutador de calor e aperte os parafusos;
- 5 volte a montar os componentes supra referidos;
- 6 tape os orifícios de saída utilizados anteriormente pelos colectores, com material isolante e anti-condensação.

### Instalação da unidade

Fixe a unidade-padrão ao tecto ou à parede, utilizado pelo menos 4 das 6 ranhuras disponíveis.

■ Para instalação horizontal (montagem no tecto) aconselha-se a utilização de barras com rosca M8, parafusos helicoidais (adequados ao peso da unidade e para preparação do posicionamento da unidade, utilizando 2 parafusos M8) e uma anilha com diâmetro adequado à introdução na ranhura e fixação da unidade.

Antes de apertar a porca de acerto, ajuste o aperto da porca principal, para que a unidade se incline correctamente, ou seja, para facilitar a descarga de condensado (consulte a figura 4).

A inclinação correcta é alcançada virando a entrada para baixo, relativamente à saída, até que se obtenha uma diferença de nível de cerca de 10 mm, entre ambas as pontas. Efectue as ligações hidráulicas ao permutador de calor (e, para refrigeração, à descarga de condensado). Utilize um dos 2 drenos do tanque auxiliar, visível no exterior dos painéis laterais da unidade (consulte a figura 5): tanque horizontal ou descarga vertical de condensado.

■ Para instalação vertical (montagem na parede), fixe a unidade de forma a que o fluxo de água à saída se efectue em direcção à descarga de condensado. Basta obter uma inclinação equivalente a uma diferença de nível de 5 mm entre os painéis laterais.

Os dois tubos de descarga de condensado, no tanque principal, encontram-se dentro dos painéis laterais. Podem ser alcançados através de uma passagem de membrana, que tem de ser perfurada para fazer passar por ela o tubo de descarga.

Recomenda-se a não remoção desta passagem em membrana, porque evita que a borda afiada do orifício lateral danifique o tubo de descarga de condensado, com o passar do tempo.

■ Para ligar a unidade à linha de descarga de condensado, utilize um tubo de borracha flexível e fixe-o ao tubo de descarga escolhido (Ø3/8") através de um grampo metálico (utilize a descarga que se encontra do lado dos anexos metálicos).

Para apoiar a drenagem do condensado, incline o tubo de descarga para baixo, pelo menos 30 mm/m, certificando-se de que todo o percurso deste se encontra desobstruído, sem curvas nem bloqueios.

■ Instalação do filtro de ar. Na entrada, o módulo do filtro pode ser instalado em linha com a saída (configuração AA) ou em ângulo de 90°, relativamente à unidade (configuração AB). Neste último caso, o painel frontal inferior de fecho tem de ser deslocado; para tal, ajuste os 6 parafusos que o fixam à unidade. O painel será então instalado na base da unidade.

Ambas as extremidades do módulo do filtro estão perfuradas, de acordo com os orifícios existentes na zona de entrada da unidade.

Por este motivo, é possível encaixar o módulo na unidade e obter, na outra extremidade, uma configuração de orifícios idêntica à presente na entrada da unidade de tratamento de ar.

O orifícios perfurados numa extremidade do módulo têm Ø5 mm; é esta extremidade que deve ser acoplada directamente à unidade.

Na outra extremidade, o diâmetro dos orifícios é de 3,5 mm, para garantir que os parafusos utilizados para fixação de outras peças (fornecimento local) ficam bem apertados.

As dimensões gerais são apresentadas na figura 2).

■ A instalação do módulo do filtro é apresentada esquematicamente:

- figura 9: instalação dos módulos de filtro da entrada (FWN, configuração AA);
- figura 10: instalação dos módulos de filtro da entrada (FWN, configuração AB).

Utilize os parafusos tipo Parker, fornecidos com o kit.

### Algumas regras a seguir

- Purgue o ar do permutador de calor, com as bombas paradas, utilizando as válvulas de ar, que se encontram ao lado dos anexos do próprio permutador.
- Ao implementar um sistema de condutas, aconselha-se a instalação de juntas de amortecimento de vibrações (fornecimento local), entre as condutas e a unidade.
- Se deseja instalar como acessório um módulo de resistência eléctrica (EDEH), a junta de amortecimento de vibrações, na saída, deve ser resistente ao calor.
- As condutas devem ser isoladas (especialmente as de saída), com material anti-condensação.
- Instale um painel de acesso, junto ao equipamento, para as operações de limpeza e manutenção.
- Instale o painel de controlo na parede. Escolha uma posição de fácil acesso, para regulação do funcionamento e detecção da temperatura. Procure evitar posições com exposição directa aos raios solares, bem como posições sujeitas a correntes de ar quente ou frio. Não coloque obstáculos em redor do painel, para que a medição da temperatura seja a correcta.

## LIGAÇÕES ELÉCTRICAS LOCAIS



Toda a cablagem e componentes locais devem ser instalados por um electricista qualificado, devendo satisfazer as regulamentações locais e nacionais pertinentes.

Efectue as ligações eléctricas depois de desligar a alimentação. Para ver as opções, consulte o manual adequado.

Verifique se a fonte de alimentação corresponde à potência nominal referida na placa de especificações da unidade.

Cada unidade tem de ter um interruptor (IL) na fonte de alimentação, com uma distância de pelo menos 3 mm entre os contactos abertos, além de um fusível de segurança adequado (F).

O consumo energético consta da placa de especificações, que está fixada na unidade.

Certifique-se de que as ligações eléctricas são executadas cuidadosamente, com base na combinação unidade/controlador, seguindo os esquemas eléctricos correctos, que acompanham os acessórios.

Para efectuar as ligações eléctricas, é necessário retirar o painel inferior de fecho (consulte a figura 6) para aceder à placa de bornes.

Os cabos de alimentação (da fonte de alimentação e do controlo) devem ser conduzidos até à placa de bornes através de uma passagem de membrana, que se encontra no painel lateral da unidade, ao lado dos anexos hidráulicos.

A figura 7 apresenta o esquema eléctrico das unidades FWN, sem o painel de controlo.

A unidade é dotada de placa inverter de controlo do motor, que permite uma exata configuração da velocidade de rotação (sinal de control 0-10V)

### Tabela de peças das ligações eléctricas (Ver figura 7)

L.....	Fase
⊖.....	Terra
N.....	Neutro
CN.....	Conector
F.....	Fusível (fornecimento local)
IL.....	Interruptor principal (fornecimento local)
0-10V.....	Sinal de controle
COM.....	Comum sinal de controle

## TESTE DE FUNCIONAMENTO

Verifique se o equipamento instalado apresenta a inclinação necessária.

Verifique se a descarga de condensado está obstruída (por depósitos de lixo, etc.).

Verifique o estado do vedante, nas conexões hidráulicas.

Verifique se a cablagem eléctrica está perfeitamente estanque (esta verificação deve ser efectuada com a corrente desligada).

Certifique-se de que a purga de ar do permutador de calor foi efectuada de forma correcta.

Ligue a fonte de alimentação e verifique a unidade em funcionamento.

## UTILIZAÇÃO

Para utilizar a unidade, consulte as instruções nos manuais de instalação e de operação do controlador. Estão disponíveis controladores dedicados, como acessórios.

## MANUTENÇÃO E LIMPEZA

Por questões de segurança, deve desligar a unidade antes de efectuar operações de manutenção ou limpeza. Para tal, coloque o interruptor principal na posição "0" (desligado).

### Manutenção

As operações de manutenção aos aparelhos de ar condicionado FWD (ou às unidades de termo-ventilação) limitam-se à limpeza periódica dos filtros de ar e do permutador de calor, e à verificação do correcto funcionamento da descarga de condensado.

A manutenção só pode ser efectuada por pessoal qualificado.

Dê a máxima atenção às operações de manutenção: o contacto accidental com algumas peças metálicas pode causar ferimentos, pelo que devem ser utilizadas luvas de trabalho, como medida de segurança.

Sempre que se ligarem as unidades, após um longo período de inactividade, certifique-se de que NÃO entrou ar para o permutador de calor.

O motor não necessita de manutenção, pois está equipado com rolamentos auto-lubrificantes.

### Limpeza do filtro do ar

Corte a alimentação de corrente à unidade, desligando o interruptor principal.

Para limpar o filtro do ar, proceda da seguinte forma (consulte a figura 6)


- Aceda ao equipamento através do painel de acesso e retire o filtro, como se mostra na figura 8, desaparafusando os manípulos de fixação.
- Caso o filtro esteja no interior da grelha da entrada, retire-a e efectue as seguintes operações:  
(Ver figura 8)
  - 1 Módulo de entrada, com filtro de ar
  - 2 Filtro do ar, fixo ao módulo de entrada por parafusos (puxa-se como se fosse uma gaveta).
- Lave o filtro com água morna; ou, caso haja pó seco, com ar comprimido.
- Volte a montar o filtro, depois deste secar.

## Limpeza do permutador de calor

É aconselhável verificar o estado do permutador de calor, antes do início do Verão. Verifique também se as aletas não estão cheias de impurezas.

Para aceder ao permutador de calor, retire o painel de saída e o tanque de condensado. Depois de aceder ao permutador de calor, limpe-o com ar comprimido ou vapor a baixa pressão, sem danificar as aletas.

Antes de o utilizar no Verão, verifique regularmente as descargas de condensado.

**NOTE**  A manutenção e limpeza adequadas, regulares, produzem poupança de energia e custos menores.

## EXIGÊNCIAS RELATIVAS À ELIMINAÇÃO

A desmontagem da unidade deve ser efectuada segundo os regulamentos locais e nacionais aplicáveis.

## RESOLUÇÃO DE PROBLEMAS

Se a unidade não funcionar correctamente, comece por verificar os pontos constantes da tabela que se segue, antes de contactar a assistência técnica.

Se não conseguir resolver o problema, contacte o seu representante ou centro de assistência técnica.

### Symptom 1: A unidade está completamente inoperacional

CAUSAS POSSÍVEIS	AÇÕES CORRECTIVAS
Falha na alimentação eléctrica	Forneça energia eléctrica à unidade
O disjuntor automático disparou	Contacte o centro de assistência técnica
O interruptor está na posição "0" (desligado).	Ligue a unidade, na posição "I".

### Symptom 2: Fraco desempenho de aquecimento ou de refrigeração

CAUSAS POSSÍVEIS	AÇÕES CORRECTIVAS
Filtro de ar sujo ou entupido	Limpe o filtro de ar
Está um obstáculo junto à entrada ou à saída do ar	Retire o obstáculo
Há ar dentro do permutador de calor	Contacte o instalador
Há portas ou janelas abertas	Mantenha as portas e as janelas fechadas
A unidade está a trabalhar a velocidade reduzida	Selecione a velocidade média ou elevada para a ventoinha

### Symptom 3: A unidade tem fugas

CAUSAS POSSÍVEIS	AÇÕES CORRECTIVAS
A unidade não está instalada com a inclinação correcta	Contacte o instalador
A descarga de condensado está obstruída	Contacte o instalador

As unidades são marcadas com o seguinte símbolo:



Isto significa que os produtos eléctricos e electrónicos não podem ser misturados com os resíduos domésticos não discriminados.

NÃO tentem desmontar o sistema por conta própria: o desmantelamento do sistema, o tratamento do refrigerante, do óleo e de outras partes deve ser efetuado por um instalador autorizado e deve respeitar a legislação aplicável.

As unidades devem ser tratadas junto a uma instalação de processamento especializada para a reutilização, a reciclagem e a recuperação.

Ao certificar-se que este produto seja eliminado corretamente, estará ajudando a prevenir possíveis consequências negativas para o ambiente e a saúde humana. Para ulteriores informações contactar o instalador ou a autoridade local.



Перед запуском блока, необходимо внимательно ознакомиться с данным руководством. Не выбрасывать данное руководство и хранить его в надежном и доступном месте, для консультации в случае необходимости.

Неправильная установка или монтаж блока или аксессуаров могут вызвать удар электрическим током, короткое замыкание, утечки или повреждения других частей блока. Убедитесь, что используются аксессуары, произведенные компанией Daikin, которые спроектированы специально для использования с блоком и должны устанавливаться квалифицированным специалистом.

Связаться с установщиком компании Daikin для получения рекомендаций и информации, в случае сомнений, касающихся процедур монтажа или эксплуатации.

## ПЕРЕД УСТАНОВКОЙ

Установка и техническое обслуживание должны осуществляться техническими специалистами, в соответствии с действующими нормами безопасности.

На момент получения блока, необходимо проверить его состояние, убедиться в отсутствии повреждений, которые могли быть получены при транспортировке.

Консультируйтесь с соответствующими техническими описаниями в случае установки или эксплуатации аксессуаров.

Идентифицировать модель и версию блока в соответствии с информацией, указанной на коробке.

## ОГРАНИЧЕНИЯ, КАСАЮЩИЕСЯ ЭКСПЛУАТАЦИИ И ФУНКЦИОНИРОВАНИЯ

Компания Daikin не несет ответственности, в случае

- если блок устанавливается непрофессиональным персоналом;
- блок установлен неправильно;
- блок используется в неразрешенных условиях;
- не были осуществлены операции по техническому обслуживанию, описанные в данном руководстве по эксплуатации;
- использовались неоригинальные запасные детали.

Во избежание попадания пыли внутрь блок, оставить его в его упаковке до момента установки.

Всасываемый из блока воздух должен быть очищен при помощи фильтра. Используйте фильтра воздуха, входящий в комплект.

Если блок не используется зимой, необходимо удалить воду из системы во избежание повреждений, вызываемых образованием льда. При использовании противоморозных растворов, проверить точку заморозки.

Не вносить изменений во внутренние электрические соединения или другие компоненты.

Ниже приведены рабочие пределы блока, другое использование считается несоответствующим назначению:

- термовектор: вода/гликоль
- температура воды: 5°C~95°C
- максимальное рабочее давление: 10 бар
- температура воздуха: -20°C~43°C
- отклонение напряжения: ±10%
- Предельное значение относительной влажности воздуха в помещении: RH < 85% без конденсирующей влаги

Выбор положения установки:

Оборудование спроектировано для кондиционирования воздуха в помещении и предназначено для создания комфортных условий при использовании в гражданских зданиях

- Не устанавливайте блок в помещении, где есть в наличии горючие газы.
- Не направляйте струю воды напрямую на блок.
- Блоки устанавливаются на потолок и стены, способные выдержать его вес; необходимо оставить достаточное расстояние для управления блоком и осуществления необходимых операции по техническому обслуживанию, учетом аксессуаров.
- Не устанавливайте блок нагрева напрямую под электрическим разъемом/розеткой.

## ОПИСАНИЕ БЛОКА

Серия FWN аппаратуры для кондиционирования или нагрева воздуха была модифицирована для помещений, в которых требуется установка канальных блоков.

### Главные компоненты

- **Несущая структура** выполнена из оцинкованной стали определенной толщины, с необходимой акустической изоляцией/ изоляцией против конденсата из саmogаснущего материала класса 1. Укомплектована инспекционными панелями.
- **Вентилятор** с одинарным или двойным колесом, двойной вход центрифужного типа, с уравновешенными крыльчатками, прямым соединением Электрический двигатель с постоянными магнитами. модулем инвертора управления двигателем, который обеспечивает точную настройку скорости вращения двигателя (сигнал управления 0-10 В). Зажимная коробка.
- **Теплообменник:** отличается высокой отдачей и выполнен из медных труб ребрами из алюминия с креплением при помощи механического расширения. Снабжен коллекторами из меди и воздушными клапанами. Теплообменник поставляется с левыми креплениями, которые можно повернуть на 180°.
- **Система для сбора и слива конденсата**, подходит как для вариантов для крепления на стену, так и для крепления на стену. Все модели серии FWN могут быть установлены как в горизонтальное, так и в вертикальное положение.
- **Модуль входа воздуха с фильтром воздуха**
  - **Модуль входа воздуха**  
Выполнен из листа из оцинкованной стали. Данные модули позволяют фильтровать воздух, поступающий с блока и соединять блок с каналами входа воздуха.
  - **Фильтр воздуха:**  
Выполнен из акрилового материала, саmogаснущий фильтр класса 1 с классом фильтрации EU 2.  
Фильтр может быть вставлен или снят и закреплён при помощи двух ручек со штоком с резьбой M4.  
Можно вымыть и восстановить фильтрующий материал для поддержания эффективности фильтра и обеспечения ограничения утечек.
  - **Набор аксессуаров включает в себя**
    - несущую структуру из листа из оцинкованной стали;
    - съемный фильтр, выдвигающийся по типу ящика;
    - самонарезающие винты крепления.

### Пример для установки

(См. рисунок 1)

- 1 Блок FWN
- 2 Модуль входа воздуха с фильтром воздуха

## РАЗМЕРЫ

- Модуль входа с плоским фильтром класса EU 2 (См. рисунок 2).
  - Стандартный блок (См. рисунок 5).  
Размеры, указанные слева, касаются гидравлических креплений, а размеры, указанные справа, касаются правых гидравлических креплений.
- 1 6 отверстий для быстрого крепления;
  - 2 Слив конденсата - горизонтальная установка;
  - 3 Слив конденсата - вертикальная установка;
  - 4 Гидравлические соединения  
4 = теплообменник стандартный  
4 DF = дополнительный теплообменник
  - 5 Выход воздуха;
  - 6 Вход воздуха  
6A = по условиям поставки  
6B = изменяемый во время установки
  - 7 Закругленный элемент (Ø100 мм) для входа свежего воздуха.

- 4 Центробежные вентиляторы
- 5 Стандартный теплообменник
- 6 Дополнительный теплообменник (DF)
- 7 Емкость для конденсата для установки на стену (труба Ø3/8")
- 8 Емкость для конденсата для установки на стену (труба Ø3/8")
- 9 Гидравлические крепления для теплообменника
- 10 Крепления слива конденсата
- 11 Зажимная коробка.
- 12 Несущая структура

Рекомендуется устанавливать все аксессуары на стандартном блоке, перед его установкой в нужное положение, в соответствии с техническими характеристиками.

Сечение труб входа и выхода является прямоугольным с отверстиями для крепления аксессуаров в случае необходимости. На обеих сторонах панелей блока имеется в наличии закругленный элемент (Ø100 мм) для прямой подачи воздуха.

Если установка не совпадает с условиями поставки, необходимо поменять положение, сняв блок, как указано на рисунке 6.

Можно расположить крепления теплообменника с противоположной стороны следующим образом:

- 1 снять верхние и нижние панели (1+2);
- 2 снять емкость для конденсата для горизонтальной установки (8);
- 3 ослабить крепежные винты кронштейна двигателя, не развинчивая полностью (7);
- 4 снять теплообменник (5), отвинтив 4 крепежных винта и повернуть его; затем убрать элементы противоположной боковой панели, вновь установить теплообменник и затянуть винты;
- 5 снова собрать перечисленные выше компоненты;
- 6 закрыть отверстия выхода использованных ранее коллекторов при помощи изоляционного материала, защищающего от конденсата.

## УСТАНОВКА



Аппараты кондиционирования и нагрева воздуха FWN могут быть установлены как в горизонтальное, так и в вертикальное положение. Проверить, чтобы установка соответствовала рисунку 3, при котором обе возможные конфигурации (AA или AB) подходят для нагрева и охлаждения.



При нормальной работе, в частности с вентилятором, функционирующим на минимальной скорости, и при воздухе в помещении с высокой относительной влажностью, возможно образование конденсата на подаче воздуха и на некоторых частях внешней конструкции установки. Во избежание этих явлений, оставаясь всегда в пределах граничных рабочих параметров, предусмотренных для установки, необходимо ограничить температуру (среднюю) воды внутри теплообменника. В частности, необходимо, чтобы разница между точкой росы воздуха (TA, DP) и средней температурой воды (TWM) НЕ превышала 14 °C, согласно соотношению:  $TW > TA, DP - 14 \text{ } ^\circ\text{C}$

Пример: в случае если температура воздуха в помещении равна 25 °C, а относительная влажность составляет 75%, значение точки росы будет около 20 °C, и, соответственно, средняя температура воды в батарее должна быть более  $20 - 14 = 6 \text{ } ^\circ\text{C}$  во избежание явлений конденсации. В случае длительного простоя терминала с выключенным вентилятором и циркуляцией холодной воды в теплообменнике возможно образование конденсата также снаружи установки. В этом случае рекомендуется установка в качестве дополнительного оборудования 3-ходового (или 2-ходового) клапана, для того чтобы приостановить поток воды в батарее, когда вентилятор выключен

### Горизонтальная или вертикальная установка

(См. рисунок 3)

- AA Вход и выход воздуха установлены по одной линии
- AB Вход воздуха не на одной линии с выходом воздуха

### Конфигурация блока

блоки всегда поставляются в конфигурации типа AA, но существует возможность изменить положение входа воздуха во время фазы установки.

Описание комплекта (См. рисунок 6)

- 1 Верхняя защитная панель
- 2 Нижняя защитная панель
- 3 Элемент для входа воздуха извне

### Установка аппарата

Прикрепить стандартный блок к потолку или к стене, используя как минимум 4 из 6 отверстий;

- Для опциональной установки (монтаж на потолок) рекомендуется использовать стержни с резьбой M8, винты крепления должны соответствовать весу блока. Установка блока осуществляется при помощи 2-х болтов M8 и шайбы с диаметром, соответствующим отверстию для крепления блока.

Перед затягиванием контрольной гайки, отрегулировать затягивание главной гайки, так чтобы блок имел нужный наклон, например для облегчения слива конденсата (см. рисунок 4).

Правильный наклон получается, при наклоне входной части вниз, по отношению к выходу, до получения разницы уровня до прим. 10 мм между двумя концами. Подвод воды к теплообменнику и для функций охлаждения со сливом конденсата. Используйте один из двух дополнительных сливов, расположенных во внешней части боковых панелей блока (см. рисунок 5): слив конденсата в горизонтальном варианте (емкость) и в вертикальном.

- Для вертикальной установки (на стену), зафиксировать блок, так, чтобы вода была направлена к сливу конденсата. Достаточно наклона эквивалентного разнице в уровне между двумя боковыми панелями около 5 мм.

Две трубы слива конденсата главной емкости расположены внутри боковых панелей и доступны через проход типа мембраны, в которой должно быть сделано отверстие для трубы слива.

Рекомендуется не снимать мембранную перегородку, так как она препятствует повреждению трубы для слива конденсата.

- Для соединения блока с линией слива конденсата, используйте гибкий шланг, соединив его с трубой слива (Ø3/8") при помощи

металлического зажима (использовать слив, расположенный со стороны гидравлических креплений).

Для облегчения дренажа конденсата, направить шланг слива вниз минимум 30 мм/м, обратив внимание, чтобы шланг не был согнут или засорен.

- **Установка фильтра воздуха.** Что касается входа, модуль фильтра должен быть установлен на одной линии с выходом (конфигурация AA) или под углом 90° по отношению к блоку (конфигурация AB). В последнем случае нижняя фронтальная панель перемещается путем регулировки 6 винтов крепления. Панель затем будет установлена на дне блока. На обоих краях фильтрующего модуля будут проделаны отверстия соответствующие отверстиям на входе питания блока. В этом случае можно соединить модуль с блоком с другой стороны, так чтобы положение отверстий точно совпадало отверстиями с входа в блок обработки воздуха. Отверстия, расположенные на одном из краев модуля имеют диаметр 5 мм. Эта сторона напрямую соединяется с блоком. С другой стороны, диаметр отверстий составляет 3,5 мм, что гарантирует, что винты, использованные для крепления других компонентов (не входящих в комплект) были крепко затянуты. Общие размеры показаны на рисунке 2.

- Установка модуля фильтра схематически показана на:
  - рисунке 9: установка входных модулей фильтра на FWN с конфигурацией AA;
  - рисунок 10: установка входных модулей фильтра на FWN с конфигурацией AB;Использование самонарезающих винтов комплекта.

## Правила, подлежащие соблюдению

- При выключенном насосе, спустить воздух, поступающий из теплообменника при помощи воздушных клапанов, установленных рядом с креплениями теплообменника.
- При использовании канальной системы, рекомендуется использовать изолирующие соединения (не входящие в комплект поставки) между каналом и блоком.
- Если необходимо устанавливать модуль для электрического сопротивления (EDED), как аксессуара, изолирующее соединение на выходе должно быть термостойким.
- Канал, в частности, на выходе должен быть изолирован при помощи антиконденсатного материала.
- Установить инспекционную панель рядом с оборудованием для осуществления операций по техническому обслуживанию и чистке.
- Установить контрольную панель на стене. Выбрать положение, обеспечивающее простой доступ для осуществления установок функций и для определения температуры. Если возможно, избегайте попадания прямых солнечных лучей или прямого попадания горячего или холодного воздуха. Не устанавливать предметы, которые могли бы помешать считыванию температуры.

## Соединения, осуществляемые на месте



Как электрические соединения, так и установка каждого компонента должны быть выполнены исключительно квалифицированным электриком в соответствии с национальным и местными нормами.

Осуществить электрические соединения после отключения питания. Для различных опций, см. соответствующее руководство.

Проверить, чтобы питание соответствовало номинальному питанию, указанному на информационной табличке аппарата.

Каждый аппарат требует наличия выключателя (IL) на подаче питания с расстоянием минимум 3 мм между контактами открытия и плавким предохранителем (F).

Потребление тока указано на информационной табличке, расположенной на аппарате.

Убедитесь, что электрические соединения осуществлены в соответствии с комбинациями блок/контроллер и в соответствии с электрической схемой каждого аксессуара.

Для осуществления электрических соединений необходимо снять нижнюю панель ( см. рисунок 6) для обеспечения доступа к зажимной коробке.

Кабели питания (питание и контроль) перед попаданием в зажимную коробку проходят через мембрану, расположенную в боковой панели блока со стороны, противоположной гидравлическим соединениям.

На рисунке 7 показана электрическая схема FWN без контрольной панели.

Таблица электрических соединений (См. рисунок 7)

L .....	Фаза
⊕ .....	Земля
N .....	Нейтраль
CN.....	Соединитель
F .....	Плавкий предохранитель (не входит в комплект поставки)
IL .....	Выключатель на линии (не входит в комплект поставки)
0-10V.....	Сигнал управления
COM.....	Общий сигнал управления

## ИСПЫТАНИЕ ФУНКЦИОНИРОВАНИЯ

Проверить, чтобы аппарат установка аппарата обеспечивала нужный наклон.

Проверить, чтобы слив конденсата не был засорен (осадком из отходов и т.д.).

Проверить герметичность гидравлических соединений.

Проверить, чтобы электрические соединения были хорошо спаяны (такой контроль осуществляется при установке выключателя напряжения OFF).

Убедитесь, что спуск из теплообменника был выполнен правильно.

Включить главный выключатель и проверить функционирование аппарата.

## Эксплуатация

Для информации об аппарате, см. инструкции, указанные в руководстве по установке и эксплуатации блока управления. Соответствующий блок управления в наличии в качестве аксессуара.

## ТЕХНИЧЕСКОЕ ОБСЛУЖИВАНИЕ И ЧИСТКА

В целях соблюдения безопасности, перед осуществлением операций по техническому обслуживанию и чистке, выключить блок и прекратить подачу напряжения, установив выключатель на линии в положение OFF.

### Техническое обслуживание

Операции по техническому обслуживанию аппаратов кондиционирования воздуха ограничиваются периодической чисткой фильтра воздуха и теплообменника воздуха, а также контролем исправности функционирования слива конденсата.

Работы по техническому обслуживанию могут быть осуществлены только квалифицированным персоналом.



Во время операций по техническому обслуживанию, обратите особое внимание: случайный контакт с металлическим компонентом может вызвать ранение, поэтому рекомендуется использовать рабочие перчатки.

Каждый раз при включении блоков, которые были остановлены в течение длительного периода, убедиться в ОТСУТСТВИИ воздуха в теплообменнике.

Двигатель не требует технического обслуживания, так как снабжен самосмазывающимися подшипниками.

## Чистка фильтра воздуха.

Отключив напряжение, установить выключатель на OFF.

Для чистки фильтра воздуха, действовать, как указано на (рисунке 6)

- Доступ осуществляется при помощи инспекционной панели. Снять фильтр воздуха, как показано на рисунке 8, отвинтив ручки крепления.
- Если фильтр расположен внутри решетки, снять решетку и выполнить операции, описанные ниже.  
(См. рисунок 8)
  - 1 Модуль входа воздуха с фильтром.
  - 2 Фильтр воздуха, прикрепленный к входному модулю при помощи винтов, вынимается по типу ящика.
- Промыть фильтр при помощи теплой воды или, в случае наличия сухой пыли, - при помощи сжатого воздуха.
- Вновь собрать фильтр после его тщательного просушивания.

## Чистка теплообменника

Рекомендуется проверять состояние теплообменника перед началом летнего периода. Проверить, чтобы ребра труб не были загрязнены.

Для доступа к теплообменнику, необходимо снять панель выхода и емкость для сбора конденсата. После этого очистить теплообменник при помощи сжатого воздуха или пара при низком давлении, чтобы не повредить ребра.

Перед включением кондиционера в летний период, проверить, чтобы конденсат был слит.

### NOTE



Техническое обслуживание и соответствующая регулярная чистка позволяют получить экономию энергии и средств.

## ИНСТРУКЦИИ ПО УТИЛИЗАЦИИ

Утилизация аппарата должно быть выполнена в соответствии с местными и национальными нормами.

## ДИАГНОСТИКА АНОМАЛИЙ

Если аппарат не функционирует должным образом, прежде всего проверить пункты, указанные в данной таблице перед запросом технической поддержки.

Если проблему не удастся устранить, свяжитесь с доверенным продавцом или обратитесь в службу технической поддержки.

### Symptom 1: Аппарат не функционирует

Вероятная причина	Исправление
Прекращение подачи питания	Возобновить подачу питания
Сработал автоматический магнитнотермический выключатель	Связаться со службой технической поддержки.
Выключатель в положении STOP ("0")	Установить аппарат в положение ON, выбрать "I"

### Symptom 2: Недостаток охлаждения или нагрева

Вероятная причина	Исправление
Фильтр воздуха загрязнен или засорен	Очистить фильтра воздуха.

Вероятная причина	Исправление
Преграда рядом с входом или выходом воздуха	Убрать помеху
Воздух, находящийся в теплообменнике	Связаться с установщиком
Открыты двери или окна	Закрывать двери и окна
Аппарат функционирует на низкой скорости	Выбрать среднюю или высокую скорость вентилятора

### Symptom 3: Утечка из аппарата

Вероятная причина	Исправление
Неправильный наклон блока	Связаться с установщиком
Слив конденсата засорен	Связаться с установщиком

Блоки маркированы следующими символами:



Означает, что электрические и электронные изделия нельзя смешивать с несортированными бытовыми отходами. НЕ предпринимайте попыток демонтировать систему самостоятельно: демонтажем системы, утилизацией хладагента, масла и других компонентов должен заниматься квалифицированный установщик в соответствии с требованиями местного законодательства. Утилизацию блоков следует выполнять в специализированном учреждении, оснащённом специальными средствами для повторного использования, переработки и восстановления. Обеспечив правильную утилизацию оборудования,

Вы способствуете предупреждению негативных последствий для окружающей среды и здоровья людей. За более подробной информацией обращайтесь к Вашему установщику или к местным органам власти.



Denna handbok ska läsas igenom noggrant innan aggregatet sätts i drift. Kasta inte handboken utan förvara den på säker plats så att den alltid finns tillgänglig för framtida behov.

Felaktig installation eller montering av aggregatet eller tillbehören kan ge upphov till elstöt, kortslutning, läckage eller skada på andra av aggregatets delar. Försäkra dig om att bara använda tillbehör som är tillverkade av Daikin. Dessa är särskilt utarbetade för att användas tillsammans med aggregatet och ska installeras av fackmän.

Vid tvekan över hur monteringen ska utföras eller hur aggregatet ska användas, kontakta en Daikin-installatör för att få råd och information.

## FÖRE INSTALLERING

Installationen och underhållet ska utföras av specialiserade utbildade tekniker i enlighet med gällande lagstiftning om säkerheten.

Kontrollera aggregatets skick vid mottagandet och försäkra dig om att inga skador har inträffat under transporten.

Se gällande tekniska blad vid installation eller användning av tillbehör.

Identifiera aggregatets modell och version genom att läsa på emballaget.

## ANVÄNDNINGSBEGRENSNINGAR OCH FUNKTION

Daikin kan inte hållas ansvarig om

- aggregatet har installerats av okvalificerad personal,
- aggregatet har använts på felaktigt sätt,
- aggregatet har använts under ej tillåtna förhållanden,
- de underhållsinslag som anges i denna handbok inte har utförts,
- man inte har använt originalreservdelar.

För att undvika ansamling av damm på insidan ska man inte ta ut aggregatet från emballaget förrän installationen äger rum.

Aggregatets inloppsluft ska alltid filtreras. Använd alltid det medföljande luftfiltret.

Om aggregatet inte används på vintern ska du ta bort vattnet i systemet för att undvika skador som orsakats av isbildningar. Om du använder frostskyddsmedel, kontrollera fryspunkten.

Gör inga ändringar i interna elektriska ledningar eller på andra komponenter.

Nedan följer aggregatets användningsbegränsningar. All annan användning betraktas som felaktig:

- Värmebärare: vatten/glykol
- Vattentemperatur: 5 °C ~ 95 °C
- Maximalt driftstryck: 10 bar
- Lufttemperatur: -20 °C ~ 43 °C
- Spänningstolerans: ± 10 %
- Relativ luftfuktighetsgräns för omgivande luft: RH < 85% utan kondensation

Val av installationsplats:

Apparater konstruerade för klimatkontroll av omgivande luft, avsedd för användning i civila komfortapplikationer

Installera inte aggregatet i omgivningar med brandfarlig gas.

- Rikta inte vattenstrålen rakt mot aggregatet.
- Installera enheten på tak och väggar med lämplig bärförmåga. Lämna tillräckligt utrymme runt aggregatet för en bekväm användning av aggregatet och för dess underhåll, genom att även beakta installationen av eventuella tillbehör.
- Ställ inte värmeaggregatet direkt under en elkontakt/eluttag.

## BESKRIVNING AV AGGREGATET

FWN-serien med apparater för kylning och uppvärmning av luft har utökats för att inbegripa kylning av rum som kräver installation av kanaliserade aggregat.

### Huvudkomponenter

- **Bärande struktur** tillverkad i galvaniserad stålplåt med lämplig tjocklek, lämpligen isolerad med ljudisolerande/kondenshindrande material, självsläckande klass 1. Försedd med inspektionspanel.
- **Fläkt** med enkelt eller dubbelt fläkthjul, dubbel ingång typ radiäfläkt, statiskt och dynamiskt balanserade pumphjul, elmotor med permanentmagnet och säkerhetsanordning. Enheten är försedd med ett inverter-styrkort för motorn som möjliggör en exakt inställning av motorns rotationshastighet (styrsignal 0-10 V)
- **Kopplingsplint.**
- **Värmeväxlare:** Kännetecknas av hög prestanda och är tillverkad av kopparrör med aluminiumlameller som är fästa vid rören genom mekanisk expansion. Försedd med grenrör i koppar och luftventiler. Värmeväxlaren är vanligtvis försedd med anslutningarna till vänster, men den kan vridas 180°.
- **System för uppsamling och tömning av kondensvatten** lämpligt för både tak- och väggmontering. Alla modeller i serien FWN kan installeras antingen horisontellt eller vertikalt.
- **Luftinloppsmodul med luftfilter**
  - **Luftinloppsmodul**  
Tillverkat av galvaniserat stål. Med dessa moduler filtreras aggregatets inloppsluft och tillåter anslutning till luftkanalen för inkommande luft.
  - **Luftfilter**  
Tillverkat av akrylmaterial, filtret är självsläckande klass 1 och har filterklass EU 2.  
Filtret kan sättas in eller tas bort och det fästs med två rattar med M4 gängstänger.  
Filtret kan tvättas och regenereras för att bibehålla samma filtreringseffektivitet och garantera begränsat läckage.
  - **Tillbehörssatsen innehåller**
    - Bärande struktur av galvaniserad stålplåt
    - Avtagbart kassettfilter (går att ta ut som en låda)
    - Självgående fästskruvar

### Exempel på installation

(Se figur 1)

- 1 FWN-enhet
- 2 Luftinloppsmodul med luftfilter

## MÅTT

- Inloppsmodul med platt filter klass EU 2 (Se figur 2).
- Standardaggregat (Se figur 5).  
Måtten till vänster hänvisar till hydraulanslutningarna på vänster sida och måtten till höger hänvisar till hydraulanslutningarna på höger sida.

- 1 6 öppningar för snabbkoppling
- 2 Kondensutflöde - horisontell installation
- 3 Kondensutflöde - vertikal installation
- 4 Hydraulanslutningar  
4 = standard värmeväxlare  
4 DF = extra värmeväxlare
- 5 Luftutsläpp
- 6 Luftinlopp  
6A = leveransvillkor  
6B = ändringsbar under installationen
- 7 Förskuren rund del (Ø100 mm) för friskluftsintag

## INSTALLATION



FWN-aggregaten för luftkonditionering och uppvärmning kan monteras antingen horisontellt eller vertikalt. Kontrollera att den önskade installationen motsvarar en av de figurer som visas i figur 3, där båda möjliga konfigurationer (AA eller AB) är lämpliga för uppvärmning och kylning.



Vid normal drift och i synnerhet med fläkten vid lägsta hastighet och en omgivande luft med hög relativ fuktighet kan kondens bildas på luftutloppet och vissa delar av enhetens yttre struktur. För att undvika sådana fenomen och fortfarande hålla enheten inom driftsgränsen för enheten, måste vattnets (genomsnittliga) temperatur i värmeväxlaren vara begränsad. Skillnaden mellan luftens dropp-temperatur (TA, DP) och medelvärde för vattentemperaturen (TWM) får inte överstiga 14 °C enligt följande förhållande:  $TW > TA, DP - 14 °C$

Exempel: För omgivande luft med en temperatur på 25 °C och en relativ fuktighet på 75%, är dropptemperaturen lika med 20 °C och därmed måste vattnet i värmeväxlaren ha en genomsnittstemperatur högre än  $20 - 14 = 6 °C$  för att förhindra att kondens bildas. Om enheten stannar stilla, med den stationära fläkten och cirkulationen av kallt vatten i värmeväxlaren kan även nackdelar förekomma på utsidan av apparaten. I det här fallet rekommenderas att man installerar en 3-vägsventil (eller tvåvägsventil) så att vattenflödet i värmeväxlaren kan avbrytas när fläkten inte fungerar.

### Horisontell eller vertikal installation

(Se figur 3)

- AA Luftinlopp och luftutsläpp sitter i höjd med varandra
- AB Luftinloppet är inte i höjd med luftutsläppet

### Konfiguration av aggregatet

Aggregaten levereras alltid i konfigurationen AA, men det är möjligt att ändra luftinloppets läge under installationen.

Beskrivning av satsen (Se figur 6)

- 1 Övre förslutningspanel
- 2 Undre förslutningspanel
- 3 Förskuren del för luftintag utifrån
- 4 Radialfläktar
- 5 Standard värmeväxlare
- 6 Extra värmeväxlare (DF)
- 7 Kondensvattenbehållare för väggmontering (rör Ø 3/8")
- 8 Kondensvattenbehållare för takmontering (rör Ø 3/8")
- 9 Värmeväxlarens hydraulanslutningar
- 10 Kondensutflöde
- 11 Kopplingsplint
- 12 Bärande struktur

Vi rekommenderar att installera alla tillbehör på standardaggregatet innan den placeras i önskat läge, med hänvisning till de tekniska specifikationerna.

In- och utloppens rördel är rektangulär och försedd med hål för fastsättning av de tillbehör som finns tillgängliga. På båda sidorna av aggregatets paneler finns en förskuren rund del (Ø100 mm) för direkt friskluftsintag. Om installationen skiljer sig från leveransvillkoren är det nödvändigt att ändra layouten genom att demontera aggregatet i enlighet med figur 6. Värmeväxlarens kopplingar kan riktas åt andra hållet på följande sätt:

- 1 Avlägsna de övre och de undre förslutningspanelerna (1 + 2).
- 2 Avlägsna kondensbehållaren för horisontell installation (8).
- 3 Lossa motorstödet fästskruvar utan att skruva bort dem helt (7).
- 4 Ta bort värmeväxlaren (5) genom att lossa de 4 skruvarna, dra ut och vrid den och ta sedan ta bort de förskurna delarna på motsatt sidopanel. Sätt tillbaka värmeväxlaren och dra åt skruvarna.
- 5 Montera tillbaka de förutnämnda komponenterna.
- 6 Stäng utloppshålen som användes tidigare med isolerande kondenshindrande material.

### Installation av aggregatet

Fäst standardaggregatet i taket eller på väggen genom att använda minst 4 av de 6 öppningarna;

**För horisontell installation (takmontering)** rekommenderas det att använda M8 gängstänger och förankringsskruvar som passar till aggregatets vikt och att placera aggregatet med 2 M8 bultar och en bricka vars diameter passar till öppningen för fastsättning av aggregatet.

Innan låsmuttern dras åt ska man justera huvudmutterns stängning så att aggregatet har rätt lutning, till exempel för att underlätta kondensstömningen (se figur 4).

Rätt lutning erhålls genom att vinkla inloppet nedåt i förhållande till utloppet, så att en nivåskillnad på ca 10 mm mellan den ena änden och den andra erhålls. Utför vattenanslutningarna med värmeväxlaren och för kylningsfunktioner med kondensutflödet. Använd en av de 2 utflödena på den extra behållaren, vilka sitter på utsidan av aggregatets sidopaneler (se figur 5): horisontellt kondensutflöde (behållare) och vertikalt.

**För vertikala installationer (väggmontering)** ska aggregatet fästas på så sätt att vattnet rinner mot det kondensutflöde som används. Det räcker att luta aggregatet så att nivåskillnaden mellan de två sidopanelerna är cirka 5 mm.

De två slangarna för huvudbehållarens kondensstömning är placerade inuti sidopanelerna och är tillgängliga genom en membrangenomgång som man måste göra hål på för att få igenom tömningsslangen.

Det är tillrådligt att inte avlägsna membrangenomgången då man riskerar att den vassa kanten på sidopanelens hål skadar kondensslangen.

**För att ansluta aggregatet till kondensstömningens ledning** ska man använda en gummislang och fästa den på den valda kondensslangen (Ø3 / 8") med hjälp av en metallklämma (använd utflödet på sidan av hydraulanslutningarna).

För att underlätta kondensstömningen ska man luta tömningsslangen nedåt med minst 30 mm/m och vara vaksam på att den inte böjs eller blockeras av något på hela vägen.

**Installation av luftfilter.** Vad gäller inloppet ska filtret vara installerat på samma linje som utsläppet (konfiguration AA) eller med 90° vinkel i förhållande till aggregatet (konfiguration AB). I det senare fallet ska den undre främre förslutningspanelen flyttas genom att justera de 6 skruvarna som fäster den vid aggregatet. Panelen installeras sedan i botten av aggregatet.

Borra sedan hål i båda ändarna på filtermodulen för att passa ihop med hålen på aggregatets luftinlopp.

Modulen kan då kopplas till aggregatet på andra änden, på så sätt att hållens läge överensstämmer exakt med hålen på luftbehandlingsaggregatets luftinlopp.

Hålen på en av modulens ändrar har en diameter på 5 mm, detta är delen som ska kopplas direkt till aggregatet.

På den andra änden är diametern på hålen 3,5 mm för att garantera att de skruvar som används för att fästa de andra komponenterna (medföljer ej) sitter fast ordentligt.

Totalmått anges i figur 2.

■ Installationen av filtermodulen illustreras i följande ritningar:

- Figur 9: Installation av moduler för filtergång på FWN med konfiguration AA.
- Figur 10: Installation av moduler för filtergång på FWN med konfiguration AB.

Användning av de självgående skruvar som ingår i satsen.

## Regler att observera

- Med avstängda pumpar, dränera luften som kommer från värmexlaren genom luftventilerna som sitter nära kopplingarna på själva värmexlaren.
- Vid användning av ett kanaliserat system är det bäst att använda isoleringsskarvar (medföljer ej) mellan kanalen och aggregatet.
- Om man vill installera en modul för elektriskt motstånd (EDEH) som tillbehör, ska utloppets isoleringsskarv även vara värmebeständig.
- Kanalerna, speciellt den utgående, måste vara isolerad med kondenshindrande material.
- Gör iordning en inspektionspanel nära aggregatet för utförande av underhåll och rengöring.
- Installera kontrollpanelen på väggen. Välj ett lättillgängligt läge för att kunna utföra funktionsinställningar och för undersökning av temperaturen. Undvik om möjligt platser som är utsatta för direkt solljus eller platser med direkt varmlufts- eller kallluftsdrag. Ställ inga föremål som hindrar korrekt temperaturavläsning.

## ANSLUTNINGAR SOM SKA UTFÖRAS PÅ PLATS



De elektriska anslutningarna och installationen av de olika komponenterna får endast utföras av en kvalificerad elektriker och i enlighet med gällande nationell och lokal lagstiftning.

Utför de elektriska anslutningarna efter att ha kopplat från strömförsörjningen. För de olika tillbehören, se gällande handbok.

Kontrollera att strömförsörjningen överensstämmer med det nominella strömvärdet som anges på aggregatets märkskylt.

Varje aggregat behöver en brytare (IL) på strömförsörjningen med ett avstånd på minst 3 mm mellan öppningskontaktarna och en passande säkring (F).

Strömförbrukningen anges på aggregatets märkskylt.

Försäkra dig om att de elektriska anslutningarna utförs i enlighet med kombinationen aggregat/styrenhet samt i enlighet med kopplingsschemat som medföljer varje tillbehör.

För att göra de elektriska anslutningarna ska den nedre förslutningspanelen avlägsnas (se figur 6) för att få åtkomst till kopplingsplinten.

Nätkablar (ström och styrning) måste vara grenade till den elektriska kopplingsplinten genom membrangenomgången som sitter på aggregatets sidopanel från sidan mitt emot hydraulanslutningarna.

Figur 7 visar det elektriska schemat för FWN utan kontrollpanel.

Enheten är försedd med ett inverter-styrkort för motorn som möjliggör en exakt inställning av motorns rotationshastighet (styrsignal 0-10 V)

### Tabell för elektriska komponenter (Se figur 7)

L.....	Fas
⊖.....	Jord
N.....	Neutral
CN.....	Kontakt

F.....	Säkring (medföljer inte)
IL.....	Huvudbrytare (medföljer ej)
0-10V.....	Styrsignal
COM.....	Gemensam styrsignal

## FUNKTIONSTEST

Se till att aggregatet har installerats så att det lutar rätt.

Kontrollera att kondensstömningen inte är blockerat (av smuts osv.)

Kontrollera täthet i de hydrauliska anslutningarna.

Kontrollera att de elektriska anslutningarna är ordentligt fästa (denna kontroll ska utföras med ström i OFF-läge).

Försäkra dig om att dräneringen av värmexlaren har utförts på rätt sätt.

Sätt på huvudbrytaren och kontrollera att aggregatet fungerar som det ska.

## ANVÄNDNING

För information om hur aggregatet användshänvisas till instruktionerna i styrenhetens installations- och användarhandbok.

De olika styrenheterna finns tillgängliga som tillbehör.

## UNDERHÅLL OCH RENGÖRING

Av säkerhetsskäl, stäng av aggregatet och frånskilj spänningen genom att vrida huvudbrytaren till OFF innan du utför någon form av underhåll eller rengöring.

### Underhåll

Underhåll av utrustningar för kylning och uppvärmning av luft är begränsad till periodisk rengöring av luftfiltret och värmexlaren samt kontroll av korrekt funktion på kondensstömningen.

Enbart specialiserad personal får utföra underhållningsarbetet.

Var mycket uppmärksam vid utförande av underhållsarbeten, oavsiktlig kontakt med en av metalldelarna kan orsaka skador. Därför rekommenderar vi att använda arbetshandskar.

Varje gång ett aggregat som stått stilla en längre tid sätts i funktion ska man kontrollera att det INTE finns någon luft i värmexlaren.

Motorn kräver inget underhåll eftersom den är försedd med självsmörjande lager.

### Rengöring av luftfilter

Frånskilj aggregatets strömförsörjning genom att sätta strömbrytaren i OFF-läge.

Gör på följande sätt för att rengöra filtret (figur 6).

■ Öppna inspektionsluckan för att få åtkomst till utrustningen och ta bort luftfiltret så som visas i figur 8, genom att skruva loss rattarna.

■ Om filtret är placerat inuti inloppsgallret, ta bort gallret och utför de åtgärder som beskrivs nedan.

(Se figur 8)

- 1 Luftinloppsmodul med filter
- 2 Luftfilter, fäst vid inloppsmodulen med skruvar, kan tas ut som en låda.

■ Tvätta filtret med varmt vatten eller, vid ansamling av torrt damm, med tryckluft.

■ Montera tillbaka filtret efter att det torkat ordentligt.

## Rengöring av värmeväxlaren

Det rekommenderas att kontrollera skicket på värmeväxlaren innan sommarsäsongen börjar. Kontrollera också att flänsarna inte är igensatta av smuts.

För att komma åt värmeväxlaren tar man bort utloppspanelen och kondensbehållaren. Efter åtkomst till värmeväxlaren rengörs den med tryckluft eller med lågtrycksånga utan att skada flänsarna.

Innan aggregatet sätts på på sommaren ska man kontrollera att kondensen har tömts.

### NOTE



ett ordentligt underhåll och regelbunden rengöring medför en energieffektiv och ekonomisk drift.

## INSTRUKTIONER FÖR BORTSKAFFNING

Apparaten ska bortskaffas i enlighet med gällande lokal och nationell lagstiftning.

## FELSÖKNING

Om aggregatet inte fungerar som det ska, ska man först av allt kontrollera punkterna i tabellen innan man kontaktar servicecentret.

Om problemet kvarstår, kontakta återförsäljaren eller våra servicecenter.

### Symptom 1: Apparaten fungerar inte alls

TROLIG ORSAK	ÅTGÄRD
Strömavbrott.	Återställ strömmen.
Automatbrytaren har utlöst.	Kontakta ett servicecenter.
Strömbrytaren är i läge STOP ("0").	Sätt aggregatet på ON, välj "I".

### Symptom 2: Bristande kylning eller uppvärmning

TROLIG ORSAK	ÅTGÄRD
Luftfiltret är smutsigt eller igensatt.	Rensa luftfiltret.
Hinder vid luftinloppet eller luftutsläppet.	Ta bort hindret.
Det finns luft i värmeväxlaren.	Kontakta installatören.
Dörrar och fönster är öppna.	Stäng dörrar och fönster.
Aggregatet fungerar på låg hastighet.	Välj fläkthastighet mellan medium och hög.

### Symptom 3: Aggregatet läcker

TROLIG ORSAK	ÅTGÄRD
Enheten har inte installerats med rätt lutning.	Kontakta installatören.
Kondensutflödet är tilltäppt.	Kontakta installatören.

Enheterna är markerade med följande symbol:



Det innebär att elektriska och elektroniska produkter inte får blandas med osorterat hushållsavfall. Försök INTE försöka demontera systemet själv: demontering av systemet, behandling av kylmediet, oljan och övriga delar måste utföras av en erkänd installatör och måste överensstämma med gällande lagstiftning. Enheterna måste hanteras i en specialiserad bearbetningsanläggning för återanvändning, återvinning och återvinning. Genom att försäkra dig om att denna produkt bortskaffas på rätt sätt gör du det för att förhindra miljöskador och hälsorisker. För mer information kontakta din installationsingenjör eller kommun.



Cihazı çalıştırmadan önce kılavuzu dikkatle okuyunuz. Herhangi bir durumda gerekli olduğunda

hazırda bulundurup güvenli bir yerde saklayınız ve atmayınız.

Cihazın veya aksesuarların yanlış kurulum ve montajı elektrik çarpmasına, kısa devreye, su

sızıntısına ya da cihazın diğer parçalarına zarar verebilir. Özellikle cihazla birlikte

kullanılması için sadece Daikin tarafından üretilen aksesuarları kullandığınızdan ve kurulumun

profesyoneller tarafından yapıldığından emin olunuz.

Montaj ve kullanım işlemlerinde merak edilen konular üzerine öneri ve bilgi almak için Daikin

teknisyenleri ile irtibata geçiniz.

Kurulum pozisyonu seçimi:

Bina konfor uygulamalarında kullanılmak üzere tasarlanmış ortam iklimlendirmesi için tasarlanmış cihazlar

■ yanıcı gazların olduğu bölgelerde ünite kurulumunu yapmayınız;

■ Direk olarak ünite üzerine su fışkırması yöneltmeyiz;

■ Ünitenin ağırlığını taşıyabilecek tavan ve duvar üzerine üniteyi kurunuz. Ünitenin çevresinde ünitenin çalışması ve gerekli bakım işlemlerinin yapılması için kurulumu yapılan tüm aksesuarları da göz önünde bulundurarak yeterli bir alan bırakınız;

■ sıcaklık ünitesini direk olarak elektrik prizinin/fişinin altına yerleştirmeyiniz.

## ÜNİTE TANIMI

FWN seri klima ve hava ısıtma cihazları, kanallı tip ünite kurulumu gerektiren; havalandırma yapılacak mekanlar için geliştirildi.

## Temel parçalar

■ 1.sınıf oto-söndürme sistemli, akustik olarak yalıtkan/anti- yağuşma malzeme ile uygun bir şekilde izole edilen, uygun kalınlıkta galvanize demir sac ile oluşturulan taşıyıcı sistem. Kontrol panelleri donanımı;

■ Statik ve dinamik olarak dengeli çarkları olan, çift giriş merkezkaç tipli, Sabit mıknatıslı elektril motoru direk olarak bağlı olan, kalıcı kondansatör ve emniyet cihazı donanımlı, tek ya da çift dişli fan havalandırması. Hassas bir şekilde motorun dönme hızının ayarlanması sağlamak için, cihaz motorunu kontrol eden bir inverter kartı ile donatılmıştır (kontrol sinyali 0-10 V).

■ Klips bloğu.

■ **Värmeväxlare:** Kännetecknas av hög prestanda och är tillverkad av kopparrör med aluminiumlameller som är fästa vid rören genom mekanisk expansion. Försedd med grenrör i koppar och luftventiler. Värmeväxlaren är vanligtvis försedd med anslutningarna till vänster, men den kan vridas 180°.

■ **Isı dönüştürücü:** Yüksek verimlilikle karakterize edilmiş ısı dönüştürücüsü; mekanik genişleme aracılığıyla borulara sabitlenen alüminyum kanatlı, bakırdan yapılmış silindirik gövdeden gerçekleştirilmiştir. Hava valfi ve bakır kolektör donanımlı. Isı dönüştürücüsü genellikle sol taraftaki bağlantılarla sağlanmıştır fakat dönüştürücü'yü 180° döndürmek mümkündür.

■ Hem duvardan hem de tavandan uygulamaya uygun olan yağuşma suyu tahliye ve toplama sistemi. Tüm FWN seri modellerinin hem yatay hem de dikey olarak kurulumu yapılabilir.

■ Hava filtreli hava giriş modülü

■ Hava giriş modülü

Galvenize çelik sactan yapılmıştır. Bu modüller, üniteye alınan havayı filtreleme ve giren havanın kanal sistemine üniteyi bağlamaya olanak tanır.

■ Hava filtresi

Akrilik malzemeden yapılan filtre, EU 2. süzgeçleme sınıfı olan 1. sınıf oto-söndürme sistemlidir. Filtre takılıp çıkarılabilir ve M4 dişli sapı olan 2 kol aracılığı ile sabitlenir. Süzgeçleme etkisini korumak ve bir kaybın olmamasını garanti altında tutmak için; süzgeçleme materyalini yıkamak ve yenilemek mümkündür.

■ Aksesuar kitinin içinde şunlar mevcuttur:

- Galvanize demir sac ile oluşturulan taşıyıcı sistem
- Kaset tipi çıkarılabilir filtre (çekmece gibi çekilebilir)
- Kendinden kılavuzlu sabitleme vidaları.

## Kurulum için örnekler

(bakınız şekil 1)

- 1 FWN ünitesi
- 2 Hava filtreli hava giriş modülü

## KURULUMDAN ÖNCE

Kurulum ve bakım sadece profesyonel yetkili servis elemanları tarafından güvenlik kurallarına uyularak gerçekleştirilmelidir.

Kitin elinize ulaşması durumunda kiti kontrol edip, ulaşım esnasında herhangi bir zarar görüp görmediğini kontrol ediniz.

Aksesuar kurulum ya da kullanımı için ilgili teknik dökümanlara başvurunuz.

Ambalaj kutusu üzerinde belirtilen işaretlerden yararlanarak ünite versiyonunu ve modelini tespit ediniz.

## KULLANIM VE İŞLEYİŞ HAKKINDA KISITLAMALAR

Şu durumlardan Daikin sorumlu değildir:

- ünitenin yetkin olmayan bir eleman tarafından kurulması durumunda;
- ünitenin hatalı kullanımı durumunda;
- ünitenin uygun olmayan şartlar altında kullanılması durumunda;
- kılavuzda yer alan gerekli bakım işlemleri yapılmadığı durumlarda;
- orijinal yedek parçaların kullanılmadığı durumlarda.

İçinde oluşabilecek toz birikintilerini önlemek için, kurulumun yapılacağı ana kadar üniteyi kendi ambalajının içinde muhafaza ediniz.

Üniteye alınan hava her zaman filtreden geçmelidir. Verilen hava filtresini her zaman kullanınız.

Eğer ünite kışın kullanılmazsa, buzlanmadan oluşan hasarları önlemek için sistemdeki suyu

çıkarınız. Eğer buzlanmayı önleyici çözümler kullanılırsa, buzlanma noktasını kontrol ediniz.

İç elektrik bağlantılarında ya da ünitenin diğer parçaları üzerinde değişiklikler yapmayınız.

Aşağıda ünitenin işleyişine dair kısıtlamalar sıralanmıştır, diğer tüm kullanım biçimleri ise uygunsuz olarak kabul edilir:

- ısı transfer akışkanı: su/glikol
- Su sıcaklığı: 5°C~95°C
- Maksimum çalışma basıncı: 10 bar
- Hava sıcaklığı: -20°C~43°C
- gerilim toleransı: ± 10%
- Ortam havasının bağıl nem sınırı: RH < % 85 konsantrasyon olmadan

- EU sınıf düz filtreli giriş modülü (bakınız şekil 2)
  - Standart ünite (bakınız şekil 5)  
Sol taraftaki boyutlar soldaki hidrolik bağlantılarla ilgili, sağ taraftakimâttan till boyutlar ise; sağdaki hidrolik bağlantılarla ilgilidir.
- |   |   |
|---|---|
| 1 | 6 hızlı bağlantı aralığı  |
| 2 | Yoğuşma suyu tahliyesi - yatay kurulum  |
| 3 | Yoğuşma suyu tahliyesi - dikey kurulum  |
| 4 | Hidrolik bağlantılar<br>4 = standart ısı dönüştürücü<br>4 DF = ek ısı dönüştürücü |
| 5 | Hava çıkış  |
| 6 | Hava giriş<br>6A = teslimat şartları<br>6B = Kurulum esnasında değiştirilebilir   |
| 7 | Temiz hava girişi için önceden kesilmiş (Ø100 mm) yuvarlak parça                  |

## KURULUM



FWN-Havalandırma ve hava sıcaklığı cihazları hem yatay hem de dikey pozisyonda kurulabilir. Her iki konfigürasyonun (AA veya AB) ısıtma ve soğutma işlevine uygun istenilen kurulumun; şekil 3'te gösterilen şekillerden birine uyumlu olduğunu doğrulayınız.



Normal işlem sırasında, özellikle bir yüksek bir bağıl nem oranına sahip en az bir hızda fan ve çevre havası ile, konsantrte hava besleme ve düzeneğin harici yapının bazı kısımları oluşturulabilir. Cihaz değiştirici içindeki suyun (ortalama) sıcaklığını azaltmak gerekir her zaman çalışma sınırları içinde bu fenomenleri engellemek için.  $TW > TA, DP - 14 \text{ }^\circ\text{C}$ : Spesifik olarak, soğutucu hava sıcaklığı (TA, DP) ve su (TWM) ortalama sıcaklığı arasındaki fark, aşağıdaki formüle göre  $14 \text{ }^\circ\text{C}$  daha büyük olmalıdır

Örnek: ortam sıcaklığı ve yaklaşık olarak  $20 \text{ }^\circ\text{C}$ 'ye eşit ve dolayısıyla pil Ortalama su sıcaklığı  $20 - 14 = 6 \text{ }^\circ\text{C}$ 'den büyük olmalıdır; % 75, soğutma sıcaklığı değeri bağıl nem,  $25 \text{ }^\circ\text{C}$  ise, C1 olgular fan ile terminalin uzun süreli bırakma sympyknosis. Se ve değiştiricinin soğuk su dolaşımıyla kapalı önlemek amacıyla, maddeler konsantrata cihazının da dış oluşturulması mümkündür. Fan sabitken aktiye su akışını kesecek şekilde, bu durumda, üç-yönlü bir valf montajı tavsiye (veya diyotlar)

## Yatay ve dikey kurulum

(Bakınız şekil 3)

- |    |  |
|----|--|
| AA | Hava giriş ve çıkışı aynı hizadadır                |
| AB | Hava girişi, hava çıkışı ile aynı hizada değildir. |

## Ünite konfigürasyonu

Üniteler her zaman AA tipi konfigürasyonuyla sağlanmış fakat kurulum esnasında hava giriş pozisyonunu değiştirmek mümkündür. Beskrivning av satsen Kit tanımı (bakınız şekil 6)

- |    |  |
|----|--|
| 1  | Üst kapama paneli                                |
| 2  | Alt kapama paneli                                |
| 3  | Harici hava girişi için önceden kesilmiş parça   |
| 4  | Merkezkaç fanlar                                 |
| 5  | Standart ısı dönüştürücü                         |
| 6  | Ek ısı dönüştürücü (DF)                          |
| 7  | Duvara kurulum için yoğuşma haznesi (Ø3/8" boru) |
| 8  | Tavana kurulum için yoğuşma haznesi (Ø3/8" boru) |
| 9  | Isı dönüştürücüsü hidrolik bağlantıları          |
| 10 | Yoğuşma suyu tahliyesi bağlantıları              |
| 11 | Klips bloğu                                      |

Standart ünitenin belirlenen pozisyona yerleşmesinden önce; ünitenin teknik özelliklerini dikkate alarak bütün aksesuarların standart üniteye kurulması önerilir. Giriş ve çıkış boruların kesiti, dikdörtgen biçimindedir ve hazırda olan aksesuarları sabitlemek için deliklerle donatılmıştır. Ünite panelinin her iki yanında; temiz hava girişinin direk sağlanması için önceden kesilmiş yuvarlak parça (Ø100 mm) bulunur. Eğer kurulum teslimat şartlarından farklı ise; üniteyi sökerek yerleşimi şekil 6'da gösterildiği gibi değiştirmek gerekir.

Dönüştürücü bağlantılarını dönüştürücünün karşı tarafına doğrultmak aşağıda olduğu gibi mümkündür:

- 1 üst ve alt kapama panellerini kaldırınız (1+2);
- 2 Yatay kurulum için yoğuşma haznesini kaldırınız (8);
- 3 Motor desteğinin sabitleme vidalarını tamamen sökmeden gevşetiniz (7);
- 4 4 adet sabitleme vidasını sökerek ısı dönüştürücüyü kaldırınız, çıkartıp döndürünüz. Karşı taraftaki panel üzerinde bulunan önceden kesilmiş parçaları kaldırınız, tekrar ısı dönüştürücüyü yerleştiriniz ve vidaları iyice sıkınız;
- 5 Önceden listelenmiş parçaları birleştiriniz;
- 6 Önceden yalıtkan/anti-yoğuşma malzeme ile kullanılan kolektörlerin çıkış deliklerini kapatınız.

## Cihaz kurulumu

Standart üniteyi, 6 adet aralığın en az 4'ünü kullanarak tavana ya da duvara sabitleyiniz;

- **Yatay kurulum için (tavan tipi montaj)**, M8 dişli çubuklar, ünitenin ağırlığına uygun ankraj vidaları ve 2 adet M8 civata kullanarak ünitenin pozisyonunu ayarlamak ve ünitenin sabitlenmesi için, çapı yuvaya uygun olabilecek 1 adet pul civata kullanımı önerilir. Kilit somununu sıkmadan önce, ünitenin eğiminin doğru bir şekilde sağlanması için, örneğin yoğuşma suyu tahliyesinin kolaylaştırılması için ana somunun kapanma ayarını yapınız (şekil 4'ya bakınız). Doğru bir eğim, çıkışa nazaran; girişin aşağıya doğru eğiminin bir ucuyla diğer ucu arasında yaklaşık 10 mm'lik bir seviye farkı elde edene kadar yapılmasıyla elde edilir. Hidrolik bağlantıları ısı dönüştürücü ile, soğutma işlemini de yoğuşma suyu tahliyesi ile yapınız. Ünitenin yan panellerinin dış tarafına konulan, 2 adet yardımcı tahliye haznesinden birini kullanınız (bakınız şekil 5): yatay (hazne) ve dikey yoğuşma tahliyesi.
- **Duvara dikey kurulumlar için**; üniteyi, suyun kullanılan yoğuşma suyu tahliyesine doğru akacağı şekilde sabitleyiniz. İki yan panel arasındaki 5 mm'lik seviye farkına eşit bir eğim yeterlidir. Ana haznenin yoğuşma tahliyesi için olan iki boru, yan panellerin içine koyulmuştur. Tahliye borusunu geçirmemizi için delinmesi gereken membran tipi geçişten geçerek borulara erişilebilir. Yukarıda adı geçen membran tipi geçişi kaldırmamanız önerilir, çünkü zamanla, yan panel üzerindeki deliğin keskin kenarının, yoğuşma suyu tahliye borusuna hasar vermesini engeller.
- **Üniteyi yoğuşma tahliyesi hattına bağlamak için**; esnek bir kauçuk boru kullanınız ve onu metal hortum kelepçesi aracılığıyla (hidrolik bağlantılarının olduğu tarafa konulan tahliyeyi kullanın) seçili (Ø3/8") tahliye borusuna sabitleyiniz. Yoğuşma suyu drenajını kolaylaştırmak için, tahliye borusunun, tüm bu gidişat süresince herhangi bir şey tarafından tıkanmadığına ya da bükülmediğine dikkat ederek, boruyu 30 mm aşağıya doğru eğiniz.
- **Hava filtresi kurulumu**. Girişle ilgili olarak; filtre modülü çıkışla (AA konfigürasyonu) aynı hizada kurulmalıdır ya da üniteye göre  $90^\circ$ lık açı (AB konfigürasyonu) ile kurulmalıdır. Bu ikinci durumda; alt ön kapama panelini üniteye sabitleyen 6 vidayı ayarlayarak, panelin yeri değiştirilmelidir. Sonrasında panel ünitenin zemininde kurulacaktır. Süzgeçleme modülünün her iki ucu, ünitenin besleme girişindeki deliklere denk gelecek şekilde delinir. Bu durumda, modülü üniteye diğer uçtan birleştirmek mümkün olacaktır ve böylece deliklerin pozisyonu klima santralinin ünite besleme girişindeki deliklere tam olarak denk gelir.

Modülün uçlarından birinde bulunan delikler 5mm'lik çapa sahiptir, bu da direk olarak üniteye eşit olması gereken bölümdür. Diğer uçta ise, diğer parçaları (kit'e dahil olmayan) sabitlemek için kullanılan vidaların sağlam olduğunu garantilemek için, deliklerin çapı 3,5 mm' dir.

Genel boyutlar şekil 2'de gösterilmiştir.

■ Filtrenin modül kurulumu şematik olarak belirtilmiştir:

- şekil 9: FWN üzerinde AA konfigürasyonu, filtre giriş modüllerinin kurulumu;

- şekil 10: FWN üzerinde AB konfigürasyonu, filtre giriş modüllerinin kurulumu.

Kitte bulunan kendinden kılavuzlu vida kullanımı.

## Uygulanacak kurallar

- Pompa kapalıyken, ısı dönüştürücü bağlantılarına yakınlardan havanın emilmesi hava valfleri aracılığıyla, ısı dönüştürücüden gelen havayı temizleyiniz.
- Kanallı tip bir sistemi uygularken; kanal sistemi ve ünite arasında yalıtkan (kit ile tedarik edilmemiş) contaların kullanılması önerilir.
- Elektrik rezistansı (EDEH) için aksesuar olarak bir modül kullanılmak istenilirse; kışta olan yalıtkan contanın ısıya dayanıklı olması gerekir.
- Özellikle çıkış kanalları, bir anti-yoğuşma malzemesi ile izole edilmelidir.
- Bakım ve temizlik işlemleri için cihaza yakın kontrol paneli ayarlayınız.
- Kontrol panelini duvara monte ediniz. Sıcaklık ölçümü ve işleyiş ayarlarını yapabilmek için kolay ulaşılabilir bir konum seçiniz. Direk olarak güneş ışınlarına ya da sıcak ve soğuk hava dalgalarına maruz kalınacak konumlardan mümkünse sakınınız. Sıcaklığın doğru bir şekilde okunmasını engelleyen herhangi bir obje koymayınız.

## ASIL YERİNDE YAPILACAK OLAN BAĞLANTILAR



Hem elektrik bağlantıları hem de parça kurulumları; yalnızca yetkili bir elektrik tesisatçısı tarafından ve geçerliliği olan ilgili yerel kanunlara uygun olarak yapılmalıdır.

Enerji beslemesini kestikten sonra elektrik bağlantılarını yapınız. Farklı seçenekler için, ilgili kılavuza başvurunuz.

Güç kaynağının, cihazın bilgi levhasında gösterilen nominal beslemeye eşit olduğunu kontrol ediniz.

Her ünitenin besleme hattında; uygun bir emniyet sigortası (F) ile açma kontakları arasında en az 3 mm' lik mesafeden oluşan bir elektrik düşmesi (L) olması gerekir.

Elektrik tüketimi cihaz üzerindeki bilgi levhasında gösterilen verilerle belirtilmiştir.

Elektrik bağlantılarını ünite/kontrolör kombinasyonunu baz alarak yaptığınızdan ve her aksesuar ile birlikte edinilen elektrik şemasına uygun olarak yaptığınızdan emin olunuz.

Elektrik bağlantılarını yapmak için, alt kapama panelini (bakınız şekil 6) kaldırmak gereklidir ve böylece klips bloğuna ulaşılabilir.

Besleme kabloları (besleme ve kontrol); hidrolik bağlantıların karşı tarafında ünitenin yan panelinde bulunan membran tipi geçişten geçerek elektrikli klips bloğunda kolları ayrılmalıdır.

Şekil 7, FWN elektrik şemasını kontrol panelsiz olarak gösterir.

Hassas bir şekilde motorun dönme hızının ayarlanması sağlamak için, cihaz motorunu kontrol eden bir inverter kartı ile donatılmıştır (kontrol sinyali 0-10 V).

Elektrik parçaları tablosu (bakınız şekil 7)

L..... Faz

⊖..... Toprak

N..... Nötr

CN..... Konnektör

F..... Sigorta (kit'e dahil olmayan)

IL..... Şebeke düğmesi (kit'e dahil olmayan)

0-10V..... Kontrol sinyali

COM..... Ortak kontrol sinyali

## İŞLEYİŞ TESTİ

Cihazın gereken eğimi ile olarak kurulduğundan emin olup kontrol ediniz.

Yoğuşma suyu tahliyesinin (küçük artık tortuları, birikintisi vs. yüzünden) tıkanıp tıkanmadığını kontrol ediniz.

Hidrolik bağlantılarda sızma olup olmadığını kontrol ediniz.

Elektrik bağlantılarının iyi bir şekilde sabitlendiğini kontrol ediniz (bu kontrol işlemi voltaj OFF durumundayken yapınız).

Isı dönüştürücüsü temizliğinin doğru bir şekilde yapıldığından emin olunuz.

Ana düğmeyi açınız ve cihazın çalışır olduğunu kontrol ediniz.

## KULLANIM

Cihazın kullanımı üzerine bilgi almak için, kurulum kılavuzuna ve kumanda ünitesinin işleyiş talimatlarına bakınız. Özel kumanda üniteleri aksesuar olarak bulunur.

## BAKIM VE TEMİZLİK

Güvenliğin sağlanması sebebiyle, herhangi bir bakım veya temizlik işlemi yapmadan önce şebeke düğmesini OFF'a getirerek üniteyi kapatınız ve gücü kesiniz.

### Bakım

Hava ısıtma ve klima cihazlarının bakım işlemleri, hava filtresi ve ısı dönüştürücünün periyodik temizliği ve ayrıca yoğuşma suyu tahliyesinin doğru işleyiş kontrolü ile sınırlıdır.

Yalnızca yetkili bir personel bakım işlemlerini yapabilir

Bakım işlemleri esnasında özenle dikkat ediniz: Metal parçalarından herhangi biri ile kazara temas, lezyonlara yol açabilir. Bu nedenle, bir çift iş eldiveni kullanılması önerilir.

Uzun bir süre kapalı kaldıktan sonra tekrar çalıştırılan ünitelerin ısı dönüştürücüsünde havanın olmadığını kontrolden geçiriniz.

Motor, otomatik yağlayıcılar ile donatıldığı için bakım gerektirmez

### Hava filtresi temizliği

Şebeke düğmesini OFF durumuna getirerek üniteye gerilimi kesiniz. Hava filtresinin temizliği için aşağıda belirtilen şekilde ilerleyiniz (şekil6)

■ Kontrol paneli aracılığı ile cihaza giriş yapınız ve sabitleme kollarını sökerek şekil 8'de gösterildiği gibi hava filtresini kaldırınız.

■ Eğer filtre giriş ızgarası içinde bulunursa, ızgarayı kaldırınız ve aşağıda tanımlanan işlemleri yapınız.

(Bakınız şekil 8)

1 Filtreli hava girişi modülü

2 Vidalarla giriş modülüne sabitlenen hava filtresi, çekmece gibi çekilir.

■ Filtreyi ılık suyla ve kuru tozlanma oluşması durumunda basınçlı hava ile yıkayınız.

■ Filtreyi iyice kuruttuktan sonra parçalarını yeniden birleştirip takınız.



## ISı DÖNÜŞTÜRÜCÜ TEMİZLİĞİ

Yaz mevsimine girmeden önce ısı dönüştürücü durumunu kontrol etmeniz önerilir. Ayrıca, kanatların kirlilik dolayısıyla tıkalı olup olmadığını kontrol ediniz.

Isı dönüştürücüye ulaşmak için, çıkış panelini ve yoğuşma haznesini çıkarınız. Isı dönüştürücüsüne ulaştıktan sonra, düşük basınçta basınçlı hava ya da buhar ile kanatlara zarar vermeden temizliğini yapınız.

Yaz aylarında açmadan önce, yoğuşmanın düzenli olarak boşaltıldığını kontrol ediniz.



Yeterli ve düzenli olan temizlik ve bakım işlemleri ekonomik açıdan katkı ve önemli ölçüde enerji tasarrufu sağlar

## CIHAZ ATMA İŞLEMİ TALIMATLARI

Cihaz atma işlemi bu alandaki yerel ve ulusal düzenlemelere uygun olarak yapılmalıdır.

## ARIZA TEŞHİSİ

Eğer cihaz doğru bir şekilde çalışmıyor ise; teknik desteğe başvurmadan önce, aşağıdaki tabloda verilen maddeleri kontrol ediniz

Eğer problem devam ederse, bayinize ya da yetkili servis merkezine

### Symptom 1: Cihaz hiçbir şekilde çalışmıyor.

MUHTEMEL SEBEP	DÜZELTİCİ ÖNLEM
Güç Kesintisi	Gücü yeniden çalıştırma
Otomatik manyeto-termik attı	Yetkili servis merkezine başvurunuz
Elektrik düğmesi STOP ("0") pozisyonunda	Cihazı ON konumuna getiriniz, "I" seçiniz.

### Symptom 2: Yetersiz ısıtma ve soğutma

MUHTEMEL SEBEP	DÜZELTİCİ ÖNLEM
Hava filtresi kirliliği ya da tıkalı	Hava filtresini temizleyiniz
Girişe ya da hava çıkışına yakın engel	Engeli kaldırınız
Isı dönüştürücüde bulunan hava	Yetkili teknisyene başvurunuz
Yetkili teknisyene başvurunuz	Kapı ve pencereleri kapatınız
Cihaz düşük hızda çalışır	Orta ya da yüksek fan hızını seçiniz

### Symptom 1: L'apparecchio perde

MUHTEMEL SEBEP	DÜZELTİCİ ÖNLEM
Ünitenin kurulumu doğru bir eğimde yapılmadı	Yetkili teknisyene başvurunuz
Yoğuşma suyu tahliyesi tıkalı	Yetkili teknisyene başvurunuz

Birimler aşağıdaki sembole işaretlenmiştir:



Bu, elektrikli ve elektronik ürünlerin diğer evsel atıklarla karıştırılmaması gerektiği anlamına gelir.

Sistemi kendiniz sökmeye çalışmayın: sistemin sökülmesi, soğutma sıvısı, yağ ve diğer bileşenlerin kullanılması, lisanslı bir montajcı tarafından ve geçerli yasalara uygun olarak yapılmalıdır. Ünitelerin artılması, yeniden kullanım, geri dönüşüm ve geri kazanım için özel atma tesislerinde yapılmalıdır. Bu ürünün uygun şekilde bertaraf edildiğinden emin olun, çevre ve insan sağlığı üzerindeki olası olumsuz etkileri önlemeye yardımcı olacaktır. Daha fazla bilgi için yükleyicinize veya yerel yetkilinize başvurun.

# SOUND POWER LEVELS FOR OCTAVE BAND

Legend:

**LW out** Octave sound power level - Outlet

**QA** Air flow

**Psu** Available static pressure

MODEL	QA	Psu	LwOUT	125 Hz	250 Hz	500 Hz	1000 Hz	2000 Hz	4000 Hz	8000 Hz
	(m3/h)	(Pa)	dB(A)	dB	dB	dB	dB	dB	dB	dB
FWN i 4	534	29	51	50,1	50,6	46,4	46,6	43,5	39,5	31,9
	700	50	58	57,1	57,6	53,4	53,6	50,5	46,5	38,9
	802	65	63	62,1	62,6	58,4	58,6	55,5	51,5	43,9
FWN i 5	532	30	51	50,1	50,6	46,4	46,6	43,5	39,5	31,9
	692	50	58	57,1	57,6	53,4	53,6	50,5	46,5	38,9
	791	65	63	62,1	62,6	58,4	58,6	55,5	51,5	43,9
FWN i 6	1019	40	55	54,1	54,6	50,4	50,6	47,5	43,5	35,9
	1134	50	59	58,1	58,6	54,4	54,6	51,5	47,5	39,9
	1238	59	65	64,1	64,6	60,4	60,6	57,5	53,5	45,9
FWN i 7	1000	41	59	58,1	58,6	54,4	54,6	51,5	47,5	39,9
	1107	50	59	58,1	58,6	54,4	54,6	51,5	47,5	39,9
	1203	59	65	64,1	64,6	60,4	60,6	57,5	53,5	45,9
FWN i 8	1207	38	58	57,1	57,6	53,4	53,6	50,5	46,5	38,9
	1384	50	63	62,1	62,6	58,4	58,6	55,5	51,5	43,9
	1606	67	69	68,1	68,6	64,4	64,6	61,5	57,5	49,9
FWN i 10	1198	38	58	57,1	57,6	53,4	53,6	50,5	46,5	38,9
	1371	50	63	62,1	62,6	58,4	58,6	55,5	51,5	43,9
	1581	66	69	68,1	68,6	64,4	64,6	61,5	57,5	49,9

# SOUND POWER LEVELS FOR OCTAVE BAND

Legend:

**LW out** Octave sound power level - Outlet

**QA** Air flow

**Psu** Available static pressure

MODEL	QA	AP	LwIN+RAD	125 Hz	250 Hz	500 Hz	1000 Hz	2000 Hz	4000 Hz	8000 Hz
	(m3/h)	(Pa)	dB(A)	dB	dB	dB	dB	dB	dB	dB
FWN i 4	534	29	52	55,4	53,0	49,4	47,6	42,8	36,1	31,5
	700	50	59	62,4	60,0	56,4	54,6	49,8	43,1	38,5
	802	65	64	67,4	65,0	61,4	59,6	54,8	48,1	43,5
FWN i 5	532	30	52	55,4	53,0	49,4	47,6	42,8	36,1	31,5
	692	50	59	62,4	60,0	56,4	54,6	49,8	43,1	38,5
	791	65	64	67,4	65,0	61,4	59,6	54,8	48,1	43,5
FWN i 6	1019	40	56	59,4	57,0	53,4	51,6	46,8	40,1	35,5
	1134	50	60	63,4	61,0	57,4	55,6	50,8	44,1	39,5
	1238	59	66	69,4	67,0	63,4	61,6	56,8	50,1	45,5
FWN i 7	1000	41	56	59,4	57,0	53,4	51,6	46,8	40,1	35,5
	1107	50	60	63,4	61,0	57,4	55,6	50,8	44,1	39,5
	1203	59	66	69,4	67,0	63,4	61,6	56,8	50,1	45,5
FWN i 8	1207	38	60	63,4	61,0	57,4	55,6	50,8	44,1	39,5
	1384	50	64	67,4	65,0	61,4	59,6	54,8	48,1	43,5
	1606	67	70	73,4	71,0	67,4	65,6	60,8	54,1	49,5
FWN i 10	1198	38	60	63,4	61,0	57,4	55,6	50,8	44,1	39,5
	1371	50	64	67,4	65,0	61,4	59,6	54,8	48,1	43,5
	1581	66	70	73,4	71,0	67,4	65,6	60,8	54,1	49,5

**DAIKIN EUROPE NV**

Zandvoordestraat 300, B-8400 Oostende, Belgium

4PW17549-3N