

# FWP-C

**Installation, use and maintenance manual  
Medium static pressure ducted fan coil units with EC motors 2 - 8 kW**

**Manuale installazione, uso e manutenzione  
Unità canalizzabili a media prevalenza con motore EC 2 - 8 kW**

**Manuel d'installation, utilisation et entretien  
Unités gainables à pression statique disponible moyenne avec moteur EC 2 - 8 kW**

**Installations-, Bedienungs- und Wartungsanleitung  
Kanalisierte Einheiten mit mittlerer Förderhöhe mit Motor EC 2 - 8 kW**

**Manual de instalación, uso y mantenimiento  
Unidades canalizables de media presión con motor EC 2 - 8 kW**

**Návod k instalaci, použití a údržbě  
Kanálové středotlaké jednotky s EC motorem 2 - 8 kW**

**Upute za ugradnju, uporabu i održavanje  
Jedinice s kanalnim razvodom srednjeg raspona s motorom EC 2 - 8 kW**

**Telepítési, használati és karbantartási kézikönyv  
Közepes nyomású légcsatornázható fan-coilok EC 2 - 8 kW motorral**

EN

IT

FR

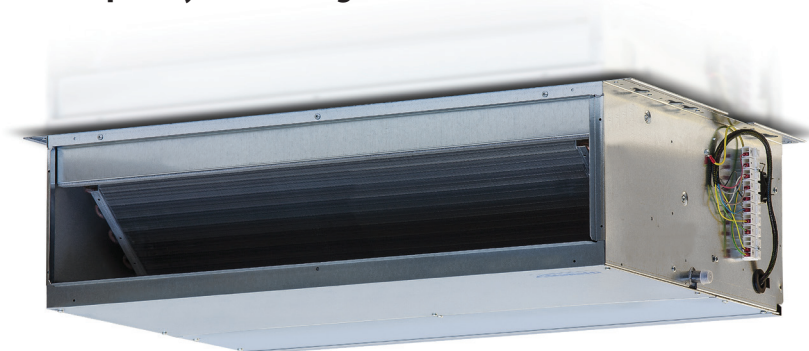
DE

ES

CS

HR

HU



CE

**DAIKIN**



# TABLE OF CONTENTS

---

<b>1</b>	<b>BEFORE STARTING THE INSTALLATION PROCEDURE</b> .....	p. 4
<b>2</b>	<b>INTENDED USE</b> .....	p. 4
	INSTALLATION SITE .....	p. 4
<b>3</b>	<b>UNIT DESCRIPTION</b> .....	p. 4
3.1	MODULATION AND EFFICIENCY IN A RECESS CEILING-MOUNTED UNIT .....	p. 4
3.2	MAIN COMPONENTS .....	p. 5
	ACCESSORIES .....	p. 5
<b>4</b>	<b>DIMENSIONS</b> .....	p. 6
<b>5</b>	<b>INSTALLATION</b> .....	p. 6
	INSTALLATION REQUIREMENTS .....	p. 6
5.1	ASSEMBLY OF UNITS .....	p. 7
<b>6</b>	<b>CHECKS BEFORE STARTUP</b> .....	p. 7
<b>7</b>	<b>USE</b> .....	p. 8
<b>8</b>	<b>MAINTENANCE</b> .....	p. 8
	CLEANING THE AIR FILTER .....	p. 8
	CLEANING THE HEAT EXCHANGER .....	p. 8
<b>9</b>	<b>TROUBLESHOOTING</b> .....	p. 9
<b>10</b>	<b>RATED TECHNICAL DATA</b> .....	p. 10
<b>11</b>	<b>WEIGHTS</b> .....	p. 11
<b>12</b>	<b>FIGURES</b> .....	p. 82

EN

## OPERATING LIMITS

Thermal carrier fluid: **water**

Water temperature: **5 °C ÷ 90 °C**

Air temperature: **-20 °C ÷ 40 °C**

Control voltage: **230 V**

Maximum operating pressure: **16 bar**




Limit of room air relative humidity: **RH<85% not condensing**

# 1 BEFORE STARTING THE INSTALLATION PROCEDURE

Carefully read this manual. Installation and maintenance should be carried out by technical personnel qualified for this type of machine, in compliance with current safety regulations. When receiving the unit please check its state verifying if any

damage occurred during the transport. For installation and use of accessories, please refer to the relative technical sheets. Identify the model of the FWP-C fan coil following the indications on the packing container.

## SAFETY SYMBOLS

	Carefully read this manual.
	Warning
	Use personal protective equipment

## USE SUITABLE PPE (GLOVES FOR REFRIGERANT, PROTECTIVE GOGGLES)

authorized installer and must comply with applicable legislation. Units must be treated at a specialized treatment facility for reuse, recycling and recovery. By ensuring this product is disposed of correctly, you will help to prevent potential negative consequences for the environment and human health. For more information, contact your installer or local authority.

**ATTENTION:** the unit hasn't dangerous components according to the classification of Regulation 1357/2014.



**WARNING:** Electrical and electronic products may not be mixed with unsorted household waste. Do NOT try to dismantle the system yourself: the dismantling of the system, treatment of oil and of other parts must be done by an

# 2 INTENDED USE

Daikin will not accept any liability for damage or injury caused as a result of installation by non-qualified personnel; improper use or use in conditions not allowed by the manufacturer; failure to perform the maintenance prescribed in this manual; use of spare

parts other than original factory parts. Equipment designed for ambient air conditioning and intended for use in civil comfort applications.

## INSTALLATION SITE

When choosing an installation site, you should observe the following rules:

- The air conditioning unit should not be placed immediately under a socket
- Do not install the unit in places where inflammable gases or powders are present
- Do not expose the unit to sprays of water; do not install the

- unit in laundry room
- Install the fan coil on walls or ceilings able to withstand its weight. Keep a clear space all around the unit to assure the proper functioning and accessibility for maintenance
- Store the unit in its packing container until you are ready to install it to prevent dust from infiltrating inside it.

# 3 UNIT DESCRIPTION

## MODULATION AND EFFICIENCY IN A RECESS CEILING-MOUNTED UNIT

The range is completed by FWP-C, which uses inverter EC technology in the electric motors. To the features of FWP-C adds the benefits of brushless technology, including a reduction in electricity consumption and consequent reduction in CO<sub>2</sub> emissions, increase in operating flexibility thanks to the modulation of air flow and increase in the level of comfort in terms of temperature, humidity and noise levels.

The range is made up of 8 models with air flows from 300 to 1200 m<sup>3</sup>/h.

Continuous modulation of the air flow and the use of high-efficiency heat exchangers enables operation also with small air-water temperature differences.

The heat exchangers can also be optimized in the circuit for centralized applications such as district cooling.

## MAIN COMPONENTS

### Structure

Built from galvanised steel sheet, heat and sound insulated by means of Class 1 self-extinguishing panels. Reduced height to facilitate installation in a horizontal position in a false ceiling. The structure incorporates a drip tray and condensate drain outlet. The main condensate drip tray is situated inside the structure of the unit and is at a positive pressure relative to the drain outlet to facilitate condensate drainage.

### Heat exchanger

High efficiency standard with 3 rows, but also available with 4 rows upon request, heat exchanger made with copper piping and aluminium fins blocked to pipings by mechanical expansion, provided with brass manifolds and air vent valve. The heat exchanger usually comes with water connections mounted on the left, but it can be turned by 180°. High-efficiency heat exchangers optimized for district cooling applications are available on request.

### Fans

Double suction centrifugal fans made with ABS or aluminium,

with statically and dynamically balanced forward-curved blades, directly coupled to the electric motor.

### EC motor

Permanent magnet motor the unit is equipped with an inverter board to control the motor, that makes it possible to precisely set the maximum rotation speed (control signal 0-10 V).

### Air filter

Washable air filter, made of acrylic fibre, filtration class G3, applied on the air intake; may be pulled out from below.

### Air intake

Air intake from the front or bottom of the unit, according to system requirements.

### Installation example

The bearing structure allows to combine a large range of accessories in suction and air delivery in order to obtain the optimized unit configuration.

## ACCESSORIES

<b>Electronic microprocessor control panels with display</b>	
<b>FWEC3AP</b>	Circuit board for FWEC3 control
<b>FWEC3AC</b>	User interface with display for FWEC3 controller
<b>FWEC3AA</b>	FWEC3AA electronic controller with display
<b>FWH3KA</b>	Humidity sensor for FWEC3AA, FWEC3
<b>FWT3KA</b>	Water sensor for FWEC3AA and FWEC3 controllers
<b>Auxiliary water drip trays, insulating shell, condensate drainage pump</b>	
<b>CDRP1A</b>	Condensate drainage pump kit
<b>Electrical heating elements</b>	
<b>EH</b>	Heating element with installation kit, relay box and safety devices
<b>EPIMSB6</b>	Power interface for connecting in parallel up to 4 fan coil units to the one controller
<b>EDPD</b>	Auxiliary water drip tray
<b>Valves</b>	
2-way valves, ON/OFF or MODULATING actuator, 230 V or 24 V power supply, hydraulic kit, for additional heat exchanger	
2-way valve, ON/OFF or MODULATING actuator, 230 V or 24 V power supply, hydraulic kit, for main heat exchanger	
3-way valves, ON/OFF or MODULATING actuator, 230 V or 24 V power supply, hydraulic kit, for additional heat exchanger	
3-way valves, ON/OFF or MODULATING actuator, 230 V or 24 V power supply, hydraulic kit, for main heat exchanger	
2-way valves pressure independent, ON/OFF or MODULATING actuator, 230 V or 24 V power supply, hydraulic kit, for main and additional heat exchanger	

## 4 DIMENSIONS

Figure p. 82-83 Dimension shows FWP-C dimensional data and position of plumbing connections.

## 5 INSTALLATION

**⚠ WARNING:** unit installation and start-up must be entrusted to competent personnel and performed in a workmanlike manner, in accordance with current regulations.

**⚠ WARNING:** Install the ducted unit, the line switch (IL) and/or all remote controls in a position out of the reach of persons who are in the bathroom or in the shower.

**🔧 IMPORTANT:** It is advisable to install any accessories on the standard unit prior to positioning the latter, making reference to the technical sheets. The air intake and outlet have a rectangular cross-section, with pre-cut holes for fastening

the available accessories.

The exchanger connections can be switched over to the opposite side by carrying out the following steps (p. 84 Exchanger connections):

- remove the upper closing panel.
- remove the collecting condensate tray.
- remove the heat exchanger module by taking out the fastening screws (2 per side).
- turn the heat exchanger by 180° (on the vertical axis) and screw it back into the unit again.
- reassemble the tray and the upper closing panel.

### INSTALLATION REQUIREMENTS

Some rules to follow

- Vent air from the exchanger while the pumps are off. For this purpose use the air vent valves situated next to the exchanger connections.
- All ducts, especially the outlet ducts, must be insulated with anti-condensation material.
- An inspection panel must be provided in proximity to the unit to enable maintenance and cleaning operations.
- The unit must be installed on the basis of design and technical considerations, carrying out an aerologic assessment and considering the BACK PRESSURE offered by the PIPING applied to the outlet to avoid the problem of failure to change speed: this responsibility cannot fall on the product but on the installation;
- Install the unit with the appropriate inspection hatches for routine and special maintenance of the fan coils: for mechanical, electrical and hydraulic replacement;
- Install the control panel on the wall; choose an accessible position from where functions may be easily set and which is suitable for taking temperature readings, where applicable. Avoid positions directly exposed to sunlight or direct currents of hot or cold air and make sure there are no obstacles which may preclude a correct temperature reading.

**⚠ WARNING:**

In normal operation, particularly with the fan at minimum speed and ambient air with high relative humidity, condensation may form on the air outlet and on some external parts of the unit.

To avoid such issues while always remaining within the operating limits envisaged for the unit, it is necessary to limit the inlet temperature of the water inside the heat exchanger. In particular, the difference between the air dew point ( $T_{A,DP}$ ) and the inlet water temperature ( $T_W$ ) must NOT exceed 14 °C, according to the following relationship:  $T_W > T_{A,DP} - 14$  °C

**Example:** in the case of ambient air at 25 °C with 75% relative humidity, the dew point temperature is about 20 °C and therefore the inlet temperature of the water in the battery must be greater then:

- $20 - 14 = 6$  °C in order to avoid condensation on a fancoil equipped with a valve.
- $20 - 12 = 8$  °C if the valve kit accessory can not be installed.

		Fan coil with valve						
		Air temperature dry bulb (°C)						
		21	23	25	27	29	31	33
Relative humidity %	40	5	5	5	5	5	5	5
	50	5	5	5	5	5	6	8
	60	5	5	5	5	7	9	11
	70	5	5	6	8	9	11	13
	80	5	6	8	10	12	14	16
	90	6	8	10	12	14	16	18

		Fan coil without valve						
		Air temperature dry bulb (°C)						
		21	23	25	27	29	31	33
Relative humidity %	40	6	6	6	6	6	6	6
	50	6	6	6	6	6	8	10
	60	6	6	6	7	9	11	13
	70	6	6	8	10	11	13	15
	80	6	8	10	12	12	16	18
	90	8	10	12	14	14	18	20

In the event the indoor unit is stopped for a prolonged period, with the fan stopped and circulation of cold water in the heat exchanger, condensation may also form on the unit's exterior. In this case it is advisable to install the 3-way (or 2-way) valve accessory in order to stop the flow of water in the coil when the fan is stopped.

During wintertime periods of shut down, drain water from the system, to prevent ice from forming. If anti-freeze solutions are used, check for their freezing point using the table below.

% Glycol by weight	Freezing temperature (°C)	Capacity adjustment	Pressure drop adjustment
0	0	1,00	1,00
10	-4	0,97	1,05
20	-10	0,92	1,10
30	-16	0,87	1,15
40	-24	0,82	1,20

### Electrical connections

Make the electrical connections with the power supply disconnected, in accordance with current safety regulations. All the wiring must be done by qualified personnel.

**For each thermal ventilating unit provide a main circuit breaker (IL), with opening contacts separated by at least 3 mm and an adequate protection fuse (F).**

Electrical intakes are shown on the rating labels on the units. During installation, strictly abide by the indications on the wiring diagram for the unit-control panel combination.

FWP-C + FWEC3A (built-in) p. 86

FWP-C + FWEC3A (separate motor) p. 87

FWP-C + FWEC3 p. 88

**NOTE: The electric wires (power and control circuits) must be pulled in through the gland on the side of the electric box where the plumbing connections are located and then connected to the terminals.**

**⚠ WARNING:** COMMON motor wire = WHITE, wrong connection may cause serious damages to the motor.

## 5.1 ASSEMBLY OF UNITS

### Mounting the unit

Insert the vibration dampers provided in the 4 slots indicated for ceiling installation

Fasten the base unit to the ceiling or wall using the 4 slots provided.

- It is recommended to use 8MA threaded bars plus screw anchors of adequate capacity to bear the weight of the unit, and to prepare the positioning of the unit using 3 8MA bolts (2 in the lower part, 1 in the upper part as shown in figure p. 85) and two washers for each bar. Before tightening the lock nut, adjust the main nut so as to assure that the unit is properly inclined so as to facilitate condensate drainage

(figure p. 85 Condensate discharge ). To obtain the proper inclination, tilt the unit so that the intake side is slightly lower (approximately 10 mm) than the outlet side. Make the plumbing connections to the heat exchanger and, where the cooling function is to be used, to the condensate drainage outlet. Use one of the two tray drain outlets, which can be seen on the outside of the unit side panels

- To connect the unit to the drainage line, use a flexible rubber hose and secure it to the pre-selected drain pipe (ø 3/8") using a metal clamp (use the drain outlet situated on the plumbing connection side).

## 6 CHECKS BEFORE STARTUP

- Check that the unit is installed in such a way as to guarantee the required inclination.
- Check that the drainage outlet is not clogged (by masonry debris etc.).
- Check the tightness of the plumbing connections.
- Make sure the electric wires are tightly connected (carry out this check with the power supply OFF).
- Make sure that air has been eliminated from the heat exchanger.
- Power the fan coil and check its performance

## 7 USE

---

To use the fan coil refer to the instructions on the control panel available as accessory.

**⚠ ATTENZIONE:** For safety reason, do not introduce your fingers or other pointed objects in the air outlet grilles.

**⚠ DANGER:** The unit may be used by children of at least 8 years of age and by persons with reduced physical, sensory,

or mental capabilities, or who lack experience or the necessary knowledge, provided that they are supervised or after they have received instructions relating to the safe use of the unit and understand the inherent dangers. Children must not play with the unit. Cleaning and maintenance to be carried out by the user must not be performed by unsupervised children.

## 8 MAINTENANCE

---

**For safety reasons, before carrying out any maintenance or cleaning jobs, turn off the unit by moving the fan speed selector to "Off" and putting off the main switch (0 position).**

**⚠ DANGER!** Due caution must be taken while carrying out maintenance: some metal parts may cause injuries; wear protective gloves.

The maintenance requirements of FWP-C ducted units are limited to periodic cleaning of the air filter and heat exchanger and

checks on the efficiency of condensate drainage.

**Maintenance may be performed only by specialised personnel.**

Whenever starting up the unit after it has not been used for a long time, check that there is no air in the heat exchanger.

The motor requires no maintenance since it has self-lubricating bearings.

### CLEANING THE AIR FILTER

---

Disconnect the unit from the power supply by setting the main switch on 0 (OFF).

To clean the air filter proceed as follows:

1. Access the unit via the inspection panel and take out the air filter as shown in p. 89 Cleaning the air filter:
2. If the filter is on the inside of the intake grille, remove the

latter and then proceed to carry out the steps described below.

3. Clean the filter with warm water or, in the event of dry dust build-up, using compressed air.
4. Allow the filter to dry and then fit it back in place.

Air filter dimensions, see figure p. 84.

### CLEANING THE HEAT EXCHANGER

---

It is advisable to check the condition of the exchanger before the start of every summer season to make sure that the fins are not obstructed by dirt.

To access the heat exchanger, remove the outlet panel (whether of the type with collars or a rectangular flange) and the drip tray. On reaching the exchanger, clean it with compressed air or low-pressure steam taking care not to damage the fins.

Before the start of every summer season, check the efficiency of condensate drainage.

**Adequate periodic maintenance will ensure save both energy and cost savings.**



## 9 TROUBLESHOOTING

If the unit is not working properly, before calling a service engineer carry out the checks indicated in the table below.

If the problem cannot be solved, contact your dealer or the nearest service centre.

PROBLEM	CAUSE	SOLUTION
The unit fails to work	No power supply	Restore the power supply
	The automatic safety cutout has tripped	Call a service centre for assistance
	The on/off switch is on	Start the unit by moving the switch to ON
The unit provides insufficient cooling or heating	The air filter is dirty or clogged	Clean the air filter
	An obstacle is obstructing the air intake or outlet	Remove the obstacle
	Air is trapped inside the heat exchanger	Call the installer for assistance
	There are open windows and/or doors	Close windows and/or doors
The unit "leaks" water	The minimum speed has been selected	Select medium or maximum speed
	The unit has not been installed with the correct inclination	Call the installer for assistance
	The drainage outlet is clogged	Call the installer for assistance

# 10 RATED TECHNICAL DATA

» 2 pipes

FWP-C			04			05			06			08		
Speed			min	med	max	min	med	max	min	med	max	min	med	max
Declared speed			2,5,7			1,5,7			1,6,7			1,4,7		
Control voltage	(E)	V	2,90	8,00	9,00	4,30	7,50	8,40	4,50	7,40	8,30	5,40	8,30	9,90
Rated air flow	(E)	m <sup>3</sup> /h	109	246	276	171	275	341	195	360	402	305	532	652
Available static pressure	(E)	Pa	10	50	63	19	50	77	19	50	63	17	50	75
Power input	(E)	W	6	25	33	10	24	39	10	26	35	22	51	77
Maximum current absorption		A	0,32			0,60			0,84			0,84		
Total cooling capacity	(1)(E)	kW	0,93	1,76	1,95	1,29	1,95	2,34	1,59	2,74	3,04	1,98	3,26	3,79
Sensible cooling capacity	(1)(E)	kW	0,62	1,25	1,39	0,91	1,39	1,66	1,09	1,91	2,11	1,48	2,48	2,92
FCEER class	(E)		A											
Water flow	(2)	l/h	161	306	340	222	339	408	274	476	527	343	568	664
Water pressure drop	(2)(E)	kPa	2	5	6	3	6	8	3	7	9	3	8	11
Heating capacity	(3)(E)	kW	0,88	1,81	1,99	1,33	1,98	2,35	1,59	2,80	3,10	2,35	3,71	4,31
FCCOP class	(E)		A											
Water flow	(3)	l/h	153	315	346	231	345	408	276	488	538	408	644	749
Water pressure drop	(3)(E)	kPa	1	4	5	2	5	7	2	6	8	4	9	11
Standard coil - number of rows			3			3			4			3		
Total sound power level	(4)	dB(A)	28	49	52	39	50	54	39	50	54	38	52	58
Inlet + radiated sound power level	(4)(E)	dB(A)	26	47	50	37	48	52	37	48	52	36	50	56
Outlet sound power level	(4)(E)	dB(A)	25	46	49	36	47	51	36	47	51	35	49	55
Water content - standard coil		dm <sup>3</sup>	1,20			1,20			2,20			1,60		
Cross-section area of power cables	(5)	mm <sup>2</sup>	1,00			1,00			1,00			1,00		
Power supply cable type			N07V-K											
Safety fuse F		A	1			1			1			1		
Fuses type			gG											

FWP-C			10			11			15			17		
Speed			min	med	max	min	med	max	min	med	max	min	med	max
Declared speed			1,6,7			1,6,7			5,6,7			5,6,7		
Control voltage	(E)	V	3,40	7,60	8,50	3,40	7,60	8,50	6,80	7,50	8,30	6,80	7,50	8,30
Rated air flow	(E)	m <sup>3</sup> /h	333	687	760	333	687	760	1050	1163	1289	1050	1163	1289
Available static pressure	(E)	Pa	12	50	61	12	50	61	40	50	60	40	50	60
Power input	(E)	W	11	54	68	11	54	68	105	128	162	105	128	162
Maximum current absorption		A	0,91			0,91			3,52			3,52		
Total cooling capacity	(1)(E)	kW	2,29	4,34	4,75	2,51	4,91	5,35	6,28	6,81	7,38	7,04	7,64	8,28
Sensible cooling capacity	(1)(E)	kW	1,67	3,21	3,51	1,77	3,45	3,76	4,64	5,03	5,46	4,96	5,38	5,84
FCEER class	(E)		A			A			C			B		
Water flow	(2)	l/h	394	753	828	432	850	930	1094	1190	1295	1225	1332	1448
Water pressure drop	(2)(E)	kPa	2	7	8	3	10	12	13	16	18	20	23	26
Heating capacity	(3)(E)	kW	2,54	4,76	5,17	2,63	5,03	5,49	6,68	7,22	7,80	7,18	7,80	8,46
FCCOP class	(E)		A			A			B			B		
Water flow	(3)	l/h	441	827	898	457	875	955	1162	1256	1356	1248	1355	1471
Water pressure drop	(3)(E)	kPa	2	7	8	3	9	11	12	14	16	17	19	22
Standard coil - number of rows			3			4			3			4		
Total sound power level	(4)	dB(A)	38	55	58	38	55	58	61	63	69	61	63	69
Inlet + radiated sound power level	(4)(E)	dB(A)	36	53	56	36	53	56	59	61	67	59	61	67
Outlet sound power level	(4)(E)	dB(A)	35	52	55	35	52	55	58	60	66	58	60	66
Water content - standard coil		dm <sup>3</sup>	2,50			3,30			2,50			3,30		
Cross-section area of power cables	(5)	mm <sup>2</sup>	1,00			1,00			1,50			1,50		
Power supply cable type			N07V-K											
Safety fuse F		A	1			1			2			2		
Fuses type			gG											

- (1) Water temperature 7°C / 12°C, air temperature dry bulb 27°C, wet bulb 19°C (47% relative humidity) according to EN1397:2015  
 (2) Water temperature 7°C / 12°C, air temperature dry bulb 27°C, wet bulb 19°C (47% relative humidity)  
 (3) Water temperature 45°C / 40°C, air temperature 20°C  
 (4) Sound power measured according to standards ISO 3741 and ISO 3742  
 (5) The shown section is to be considered as the minimum recommended section. The cables must be chosen in compliance with CEI - UNEL 35024/1. standard.  
 (E) EUROVENT certified data  
 Power supply 230-1-50 (V-ph-Hz)

» 4 pipes

FWP-C			04			05			06			08		
Speed			min	med	max	min	med	max	min	med	max	min	med	max
Declared speed			2,5,7			1,5,7			1,6,7			1,4,7		
Control voltage	(E)	V	2,90	7,90	8,90	4,50	7,30	8,90	4,50	7,40	8,30	5,40	8,30	9,90
Rated air flow	(E)	m <sup>3</sup> /h	109	243	270	170	272	336	195	357	398	302	524	642
Available static pressure	(E)	Pa	10	50	63	19	50	77	19	50	63	17	50	75
Power input	(E)	W	6	25	32	10	23	39	10	26	35	21	50	77
Maximum current absorption		A	0,32			0,60			0,84			0,84		
Total cooling capacity	(1)(E)	kW	0,93	1,74	1,91	1,28	1,93	2,31	1,59	2,72	3,01	1,95	3,22	3,75
Sensible cooling capacity	(1)(E)	kW	0,62	1,24	1,36	0,90	1,38	1,64	1,09	1,89	2,09	1,47	2,44	2,89
FCEER class	(E)		A											
Water flow	(2)	l/h	161	302	333	221	335	404	274	473	522	339	562	656
Water pressure drop	(2)(E)	kPa	2	5	6	3	6	8	3	7	9	3	8	11
Heating capacity	(3)(E)	kW	1,14	1,93	2,06	1,55	2,07	2,32	2,09	3,09	3,29	2,80	3,82	4,24
FCCOP class	(E)		A											
Water flow	(3)	l/h	100	169	180	136	181	204	183	271	288	245	334	371
Water pressure drop	(3)(E)	kPa	1	2	3	2	3	3	2	3	4	3	5	6
Additional coil - number of rows			3+1			3+1			4+1			3+1		
Total sound power level	(4)	dB(A)	28	49	52	39	50	54	39	50	54	38	52	58
Inlet + radiated sound power level	(4)(E)	dB(A)	26	47	50	37	48	52	37	48	52	36	50	56
Outlet sound power level	(4)(E)	dB(A)	25	46	49	36	47	51	36	47	51	35	49	55
Water content - additional coil		dm <sup>3</sup>	0,47			0,47			0,59			0,59		
Cross-section area of power cables	(5)	mm <sup>2</sup>	1,00			1,00			1,00			1,00		
Power supply cable type			N07V-K											
Safety fuse F		A	1			1			1			1		
Fuses type			gG											

FWP-C			10			11			15			17		
Speed			min	med	max	min	med	max	min	med	max	min	med	max
Declared speed			1,6,7			1,6,7			5,6,7			5,6,7		
Control voltage	(E)	V	3,40	7,60	8,50	3,40	7,60	8,50	6,80	7,50	8,30	6,80	7,50	8,30
Rated air flow	(E)	m <sup>3</sup> /h	333	683	755	333	683	755	1050	1163	1289	1050	1163	1289
Available static pressure	(E)	Pa	12	50	61	12	50	61	40	50	60	40	50	60
Power input	(E)	W	11	54	67	11	54	67	105	128	162	105	128	162
Maximum current absorption		A	0,91			0,91			3,52			3,52		
Total cooling capacity	(1)(E)	kW	2,29	4,32	4,72	2,51	4,88	5,32	6,28	6,81	7,38	7,04	7,64	8,28
Sensible cooling capacity	(1)(E)	kW	1,67	3,19	3,48	1,77	3,43	3,74	4,64	5,03	5,46	4,96	5,38	5,84
FCEER class	(E)		A			A			C			B		
Water flow	(2)	l/h	394	749	822	432	846	925	1094	1190	1295	1225	1332	1448
Water pressure drop	(2)(E)	kPa	2	7	8	3	10	12	13	16	18	20	23	26
Heating capacity	(3)(E)	kW	3,40	5,17	5,45	3,40	5,17	5,45	6,42	6,73	7,06	6,42	6,73	7,06
FCCOP class	(E)		A			A			C			C		
Water flow	(3)	l/h	297	452	477	297	452	477	562	589	618	562	589	618
Water pressure drop	(3)(E)	kPa	6	13	14	6	13	14	19	21	22	19	21	22
Additional coil - number of rows			3+1			4+1			3+1			4+1		
Total sound power level	(4)	dB(A)	38	55	58	38	55	58	61	63	69	61	63	69
Inlet + radiated sound power level	(4)(E)	dB(A)	36	53	56	36	53	56	59	61	67	59	61	67
Outlet sound power level	(4)(E)	dB(A)	35	52	55	35	52	55	58	60	66	58	60	66
Water content - additional coil		dm <sup>3</sup>	0,97			0,97			0,97			0,97		
Cross-section area of power cables	(5)	mm <sup>2</sup>	1,00			1,00			1,50			1,50		
Power supply cable type			N07V-K											
Safety fuse F		A	1			1			2			2		
Fuses type			gG											

- (1) Water temperature 7°C / 12°C, air temperature dry bulb 27°C, wet bulb 19°C (47% relative humidity) according to EN1397:2015  
 (2) Water temperature 7°C / 12°C, air temperature dry bulb 27°C, wet bulb 19°C (47% relative humidity)  
 (3) Water temperature 65°C / 55°C, air temperature 20°C  
 (4) Sound power measured according to standards ISO 3741 and ISO 3742  
 (5) The shown section is to be considered as the minimum recommended section. The cables must be chosen in compliance with CEI - UNEL 35024/1. standard.  
 (E) EUROVENT certified data  
 Power supply 230-1-50 (V-ph-Hz)

## 11 WEIGHTS

FWP-C		04	05	06	08	10	11	15	17
2 pipes	kg	24,4	25,4	33,0	36,0	45,0	45,0	51,0	51,0
4 pipes	kg	25,8	26,8	34,6	37,6	47,5	47,5	53,5	53,5



# INDICE GENERALE

---

<b>1</b>	<b>PRIMA DI INIZIARE L'INSTALLAZIONE</b> .....	p. 14
<b>2</b>	<b>UTILIZZO PREVISTO</b> .....	p. 14
	LUOGO DI INSTALLAZIONE .....	p. 14
<b>3</b>	<b>DESCRIZIONE DELL'APPARECCHIO</b> .....	p. 14
3.1	MODULAZIONE ED EFFICIENZA AD INCASSO A SOFFITTO .....	p. 14
3.2	COMPONENTI PRINCIPALI .....	p. 15
	ACCESSORI .....	p. 15
<b>4</b>	<b>DATI DIMENSIONALI</b> .....	p. 16
<b>5</b>	<b>INSTALLAZIONE</b> .....	p. 16
	AVVERTENZE PER L'INSTALLAZIONE .....	p. 16
5.1	MONTAGGIO UNITÀ .....	p. 17
<b>6</b>	<b>VERIFICA FUNZIONALE</b> .....	p. 17
<b>7</b>	<b>USO</b> .....	p. 18
<b>8</b>	<b>MANUTENZIONE</b> .....	p. 18
	PULIZIA DEL FILTRO ARIA .....	p. 18
	PULIZIA DELLA BATTERIA DI SCAMBIO TERMICO .....	p. 18
<b>9</b>	<b>RICERCA DEI GUASTI</b> .....	p. 19
<b>10</b>	<b>DATI TECNICI NOMINALI</b> .....	p. 20
<b>11</b>	<b>PESI</b> .....	p. 21
<b>12</b>	<b>FIGURE</b> .....	p. 82

IT

## LIMITI DI FUNZIONAMENTO

Fluido termovettore: **acqua**

Temperatura acqua: **5 °C ÷ 95 °C**

Temperatura aria: **-20 °C ÷ 40 °C**

Tensione di alimentazione: **230 V +/-10 %**

Massima pressione di esercizio: **16 bar**

Limite di umidità relativa dell'aria ambiente: **RH<85% non condensante**

# 1 PRIMA DI INIZIARE L'INSTALLAZIONE

Leggere attentamente questo manuale.

L'installazione e la manutenzione dell'apparecchio devono essere effettuati esclusivamente da personale tecnico qualificato per questo tipo di macchina, in conformità con le normative vigenti.

Al ricevimento dell'apparecchio, controllarne lo stato verificando

che non abbia subito danni dovuti al trasporto.

Per l'installazione e l'uso di eventuali accessori, si rimanda alle relative schede tecniche.

Individuare il modello di ventilconvettore FWP-C dalle indicazioni riportate sull'imballo.

## SIMBOLI DI SICUREZZA



**Leggere attentamente il manuale**



**Attenzione**



**Utilizzare dispositivi di protezione individuale**

## UTILIZZARE DPI ADEGUATI (GUANTI PER REFRIGERANTE, OCCHIALI DI PROTEZIONE)

installatore autorizzato e deve rispettare la legislazione applicabile. Le unità devono essere trattate presso un impianto specializzato di lavorazione per il riutilizzo, il riciclaggio e il recupero. Assicurandovi che questo prodotto sia smaltito correttamente, aiuterete a prevenire possibili conseguenze negative per l'ambiente e la salute umana. Per ulteriori informazioni contattate il vostro installatore o l'autorità locale.

**ATTENZIONE:** l'unità non ha componenti pericolosi secondo la classificazione del Regolamento 1357/2014.



**ATTENZIONE:** I prodotti elettrici ed elettronici non possono essere mescolati con i rifiuti casalinghi non separati. NON provate a smantellare il sistema da soli: lo smantellamento del sistema, il trattamento dell'olio e di altre parti, dev'essere effettuato da un

# 2 UTILIZZO PREVISTO

La Daikin si ritiene sollevata da ogni responsabilità nei casi in cui l'apparecchio sia installato da personale non qualificato, venga utilizzato impropriamente o in condizioni non ammesse, non venga effettuata manutenzione prevista dal presente manuale o non siano

stai utilizzati ricambi originali.

Apparecchi progettati per la climatizzazione dell'aria ambiente e destinati all'utilizzo in applicazioni di comfort civile.

## LUOGO DI INSTALLAZIONE

Nella scelta del luogo di installazione osservare i seguenti punti:

- l'apparecchio di climatizzazione non deve essere posto immediatamente sotto una presa di corrente
- non installare l'unità in ambienti con presenza di gas o polveri infiammabili
- non esporre l'unità a spruzzi d'acqua; non installare in locale

lavanderia

- installare il ventilconvettore su pareti o soffitti che ne reggano il peso mantenendo intorno uno spazio sufficiente a garantirne il buon funzionamento e le operazioni di manutenzione
- conservare l'unità nell'imballo fino al momento dell'installazione per evitare infiltrazioni di polvere nel suo interno

# 3 DESCRIZIONE DELL'APPARECCHIO

## MODULAZIONE ED EFFICIENZA AD INCASSO A SOFFITTO

FWP-C rappresenta il completamento della gamma con l'utilizzo della tecnologia EC inverter sui motori elettrici. Alle peculiarità di FWP-C si sommano i benefici della tecnologia brushless in termini di riduzione dei consumi elettrici e conseguente riduzione delle emissioni di CO<sub>2</sub>, aumento della flessibilità di funzionamento grazie alla modulazione della portata aria ed aumento del livello di comfort termoigrometrico ed acustico.

La gamma è composta da 8 modelli che coprono un range di portata aria da 300 a 1200 m<sup>3</sup>/h.

La modulazione continua della portata aria e l'utilizzo di scambiatori di calore ad alta efficienza consente di operare anche con differenze di temperatura aria - acqua contenute.

Gli scambiatori di calore possono inoltre essere ottimizzati nella circuitazione per applicazioni centralizzate quali district cooling.

## COMPONENTI PRINCIPALI

### Struttura

Realizzata in lamiera di acciaio zincato, isolata termicamente ed acusticamente con pannelli autoestinguenti di classe 1. Altezza ridotta per agevolare l'installazione in posizione orizzontale, in controsoffitto. La struttura contiene la vasca di raccolta e scarico condensa. La vasca principale di raccolta della condensa è posta internamente alla struttura dell'unità ed è a pressione positiva rispetto allo scarico per facilitare il drenaggio della condensa.

### Batteria di scambio termico

Standard a 3 ranghi, disponibile a 4 ranghi su richiesta, ad alta efficienza, in tubo di rame ed alette in alluminio bloccate ai tubi mediante espansione meccanica. È corredata di collettori in ottone e valvola di sfogo aria. La batteria, normalmente fornita con attacchi a sinistra, può essere ruotata di 180°. Su richiesta sono disponibili batterie ad alta efficienza ottimizzate per le applicazioni district cooling.

### Ventilatori

Ventole centrifughe a doppia aspirazione realizzate in ABS o alluminio, a pale avanti, bilanciate staticamente e dinamicamente,

accoppiate direttamente al motore elettrico.

### Motore EC

Motore a magneti permanenti. L'unità è dotata di scheda inverter di controllo del motore, che permette un preciso settaggio della velocità di rotazione (segnale di controllo 0-10V).

### Filtro aria

Filtro aria rigenerabile in fibra acrilica, classe di filtrazione G3, posto sull'aspirazione dell'aria, estraibile a cassetto dal basso.

### Aspirazione aria

Aspirazione dell'aria dalla parte frontale o inferiore della macchina, in base alle esigenze impiantistiche.

### Esempio di installazione

La struttura permette di combinare un'ampia gamma di accessori in ripresa e mandata fino ad ottenere la configurazione ottimale dell'unità.

## ACCESSORI

### Pannelli di comando elettronici a microprocessore con display

<b>FWCSAP</b>	Scheda di potenza per comando FWCS
<b>FWCSAC</b>	Interfaccia utente con display per comando FWCS
<b>FWEC3AA</b>	Comando a microprocessore con display FWEC3AA
<b>FWHska</b>	Sonda umidità per comandi FWEC 2, FWEC3AA, FWECs
<b>FWTSKA</b>	Sonda acqua per comandi FWEC, FWECs

### Bacchette ausiliarie di raccolta condensa, gusci isolanti, pompa scarico condensa

<b>CDRP1A</b>	Kit pompa di scarico condensa
---------------	-------------------------------

### Resistenze elettriche

<b>EH</b>	Resistenza elettrica con kit di montaggio, scatola relè e sicurezze
-----------	---

### Accessori vari

<b>EDPD</b>	Bacinella ausiliaria di raccolta condensa
<b>EPIMSB6</b>	Interfaccia di potenza per il collegamento in parallelo fino a 4 ventilconvettori ad un unico comando

### Valvole

Valvole a 2 vie, attuatori ON/OFF o MODULANTI, alimentazione 230 V o 24 V, kit idraulici, per batteria addizionale

Valvole a 2 vie, attuatori ON/OFF o MODULANTI, alimentazione 230 V o 24 V, kit idraulici, per batteria principale

Valvole a 3 vie, attuatori ON/OFF o MODULANTI, alimentazione 230 V o 24 V, kit idraulici, per batteria addizionale

Valvole a 3 vie, attuatori ON/OFF o MODULANTI, alimentazione 230 V o 24 V, kit idraulici, per batteria principale

Valvole a 2 vie pressure independent, attuatori ON/OFF o MODULANTI, alimentazione 230 V o 24 V, kit idraulici, per batteria principale e addizionale

## 4 DATI DIMENSIONALI

Nella figura p. 82-83 sono riportati i dati dimensionali di FWP-C e le posizioni degli attacchi idraulici.

## 5 INSTALLAZIONE

**ATTENZIONE:** l'installazione e l'avviamento dell'unità devono essere effettuati da personale competente, secondo le regole della corretta pratica impiantistica, in conformità alle normative vigenti.

**ATTENZIONE:** Installare l'unità canalizzabile, l'interruttore di linea (IL), e/o gli eventuali comandi a distanza in una posizione non raggiungibile da persone che si trovino nella vasca da bagno o nella doccia.

**AVVERTENZA:** È consigliabile installare gli eventuali accessori sull'apparecchio standard, prima di provvedere al posizionamento dello stesso, riferendosi alle schede tecniche.

L'aspirazione e la mandata sono a sezione rettangolare, con foratura predisposta per il fissaggio degli accessori disponibili.

È possibile orientare gli attacchi dello scambiatore sul lato opposto operando, come segue (p. 84):

- smontare pannello anteriore superiore.
- smontare la vasca di raccolta condensa.
- smontare la batteria agendo sulle viti di fissaggio (2 per ogni fiancata).
- ruotare la batteria di 180° (sull'asse verticale) e fissarla nuovamente all'unità.
- rimontare vasca e chiusura.

### AVVERTENZE PER L'INSTALLAZIONE

Alcune regole da seguire

- Effettuare lo sfogo dell'aria dallo scambiatore, a pompe ferme, agendo sulle valvole di sfogo poste a fianco agli attacchi della batteria stessa.
- Le canalizzazioni, in particolare quella di mandata, dovranno essere coibentate con materiale anticondensa.
- Prevedere in prossimità dell'apparecchio un pannello di ispezione per le operazioni di manutenzione e pulizia.
- L'unità dovrà essere installata sulla base di considerazioni tecniche e progettazione effettuando una valutazione aerologica e valutando la CONTROPRESSIONE che viene offerta dalla CANALIZZAZIONE applicata alla mandata per evitare il problema del mancato cambio velocità: responsabilità che non può ricadere sul prodotto ma sull'installazione;
- Installare l'unità con le dovute botole di ispezione per la manutenzione ordinaria e straordinaria dei fancoil stessi: per interventi di sostituzione meccanica, elettrica e idraulica;
- Installare il pannello di comando sulla parete; scegliere una posizione facilmente accessibile per l'impostazione delle funzioni e, se prevista, efficace per la rilevazione della temperatura. Evitare posizioni esposte direttamente all'irraggiamento solare, posizioni soggette a correnti dirette di aria calda o fredda e di interporre ostacoli che impediscano la rilevazione corretta della temperatura.

**AVVERTENZA:**

Nel funzionamento normale, in particolare con ventilatore alla velocità minima ed aria ambiente con elevata umidità relativa, è possibile che si verifichi formazione di condensa sulla mandata aria e su alcune parti della struttura esterna dell'apparecchio.

Per evitare tali fenomeni, sempre rimanendo all'interno dei limiti di lavoro previsti per l'apparecchio, è necessario limitare la temperatura dell'acqua in ingresso all'interno dello scambiatore. In particolare occorre che la differenza fra la temperatura di rugiada dell'aria ( $T_{A,DP}$ ) e la temperatura dell'acqua in ingresso ( $T_W$ ) NON sia superiore a 14 °C, secondo la relazione:  $T_W > T_{A,DP} - 14$  °C

**Esempio:** nel caso di aria ambiente a 25°C con il 75% di umidità relativa il valore di temperatura di rugiada è pari a circa 20 °C e dunque la temperatura dell'acqua in ingresso in batteria dovrà essere superiore a:

- 20-14 = 6 °C al fine di evitare fenomeni di condensa su fancoil

provvisto di valvola.

- 20-12 = 8 °C qualora non si possa installare l'accessorio kit valvole.

Fan coil con valvola								
		T aria bulbo secco [°C]						
		21	23	25	27	29	31	33
Umidità relativa %	40	5	5	5	5	5	5	5
	50	5	5	5	5	5	6	8
	60	5	5	5	5	7	9	11
	70	5	5	6	8	9	11	13
	80	5	6	8	10	12	14	16
	90	6	8	10	12	14	16	18

Fan coil senza valvola								
		T aria bulbo secco [°C]						
		21	23	25	27	29	31	33
Umidità relativa %	40	6	6	6	6	6	6	6
	50	6	6	6	6	6	8	10
	60	6	6	6	7	9	11	13
	70	6	6	8	10	11	13	15
	80	6	8	10	12	12	16	18
	90	8	10	12	14	14	18	20

In caso di sosta prolungata del terminale, con ventilatore fermo e circolazione di acqua fredda nello scambiatore, è possibile che si formi condensa anche all'esterno dell'apparecchio. In questo caso è consigliabile installare l'accessorio valvola a 3 vie (o 2 vie) in modo da interrompere il flusso d'acqua in batteria quando il ventilatore è fermo.

Nel caso di fermate invernali scaricare l'acqua dall'impianto onde evitare danneggiamenti dovuti a formazione di ghiaccio; se vengono utilizzate soluzioni antigelo verificare il punto di congelamento utilizzando la tabella riportata di seguito.

% glicole in peso	Temperatura congelamento (°C)	Variazione potenza resa	Variazione perdita di carico
0	0	1,00	1,00
10	-4	0,97	1,05
20	-10	0,92	1,10
30	-16	0,87	1,15
40	-24	0,82	1,20



## Collegamenti elettrici

Effettuare i collegamenti elettrici in assenza di tensione, secondo le normative di sicurezza vigenti.

I cablaggi dovranno essere eseguiti esclusivamente da personale qualificato.

**Per ogni unità termoventilante prevedere sulla rete di alimentazione un interruttore (IL) con contatti di apertura con distanza di almeno 3 mm e un fusibile (F) di protezione adeguato.**

Gli assorbimenti elettrici sono riportati sull'etichetta dei dati di targa applicata sull'unità.

In corso di installazione, seguire scrupolosamente lo schema

elettrico relativo alla combinazione unità-pannello di comando.

FWP-C + FWEC3A (motore incorporato) p. 86

FWP-C + FWEC3A (motore separato) p. 87

FWP-C + FWEC3 p. 88

**NOTA: I cavi elettrici (alimentazione e comando) devono essere portati in morsettiera attraverso il fermacavo che si trova sulla fiancata opposta del lato attacchi idraulici.**

**⚠ ATTENZIONE:** Il cavo COMUNE del motore è quello di colore BIANCO: il suo errato collegamento provoca danni irreparabili al motore.

## 5.1 MONTAGGIO UNITÀ

### Fissaggio dell'unità

Inserire gli antivibranti forniti a corredo nelle 4 asole individuate per il fissaggio al soffitto.

Fissare l'unità base al soffitto o alla parete utilizzando le 4 asole predisposte.

- Si consiglia di utilizzare barre filettate 8MA, tasselli adeguati al peso della macchina stessa, e di preparare il posizionamento della macchina utilizzando 3 bulloni 8MA (2 nella parte inferiore, 1 nella parte superiore come indicato in figura p. 85) ed due rondelle per ciascuna barra. Prima di stringere il controdamo, regolare la chiusura del dado principale in modo da dare all'apparecchio una pendenza corretta, tale cioè da agevolare

lo scarico della condensa (figura p. 85 Scarico condensa). Una pendenza corretta si ottiene inclinando verso il basso l'aspirazione rispetto alla mandata, fino ad ottenere un dislivello di circa 10 mm fra le due estremità. Realizzare i collegamenti idraulici alla batteria di scambio termico e, nel caso di funzionamento in fase di raffreddamento, allo scarico condensa. Utilizzare uno dei due scarichi della vasca, che si vedono all'esterno delle fiancate dell'unità.

- Per collegare l'unità alla linea di scarico condensa, utilizzare tubo flessibile in gomma e fissarlo al tubo di scarico prescelto ( $\varnothing$  3/8") mediante una fascetta metallica (utilizzare lo scarico che si trova sul lato attacchi idraulici).

## 6 VERIFICA FUNZIONALE

- Verificare che l'apparecchio sia installato in modo da garantire l'inclinazione richiesta.
- Verificare che lo scarico condensa non sia ostruito (da depositi di calcinacci ecc.).
- Controllare la tenuta dei collegamenti idraulici.
- Controllare che i cablaggi elettrici siano ben saldi (eseguire il controllo in assenza di tensione).
- Assicurarsi che sia stata eliminata l'aria dallo scambiatore di calore.
- Dare tensione all'apparecchio e verificarne il funzionamento.

## 7 USO

Per l'utilizzo dell'unità riferirsi alle istruzioni del pannello di comando, disponibile come accessorio.

**⚠ ATTENZIONE:** Per motivi di sicurezza, non introdurre mani o oggetti nella griglia di uscita dell'aria.

**⚠ PERICOLO:** L'apparecchio può essere utilizzato da bambini di età non inferiore a 8 anni e da persone con ridotte capacità

fisiche, sensoriali o mentali, o prive di esperienza o della necessaria conoscenza, purché sotto sorveglianza oppure dopo che le stesse abbiano ricevuto istruzioni relative all'uso sicuro dell'apparecchio e alla comprensione dei pericoli ad esso inerenti. I bambini non devono giocare con l'apparecchio. La pulizia e la manutenzione destinata ad essere effettuata dall'utilizzatore non deve essere effettuata da bambini senza sorveglianza.

## 8 MANUTENZIONE

**Per motivi di sicurezza, prima di compiere qualsiasi manutenzione o pulizia, spegnere l'apparecchio ponendo il commutatore di velocità su "Arresto" e l'interruttore di linea su 0 (OFF).**

**⚠ PERICOLO!** Prestare attenzione durante le operazioni di manutenzione: alcune parti metalliche possono provocare ferite: dotarsi di guanti protettivi.

Le unità canalizzabili FWP-C richiedono operazioni di manutenzione limitate alla pulizia periodica del filtro aria, dello scambiatore di

calore ed il controllo dell'efficienza dello scarico condensa.

**La manutenzione può essere effettuata solamente da personale specializzato.**

Ad ogni avviamento seguente una lunga sosta, assicurarsi che non sia presente aria nello scambiatore di calore.

Il motore non necessita di manutenzione in quanto dotato di cuscinetti autolubrificanti.

### PULIZIA DEL FILTRO ARIA

Togliere tensione all'unità, ponendo l'interruttore di linea su 0 (OFF). Per la pulizia del filtro aria procedere nel seguente modo:

1. Accedere all'apparecchio attraverso il pannello di ispezione ed estrarre il filtro aria come indicato in figura (p. 89 Pulizia filtro aria):
2. Se invece il filtro si trova all'interno della griglia di aspirazione,

rimuovere quest'ultima e procedere alle operazioni descritte in seguito.

3. Pulire il filtro con acqua tiepida o, nel caso di polveri secche, con aria compressa.

4. Reinserire il filtro dopo averlo lasciato asciugare.

Dimensioni filtro aria, vedi figura: p. 84.

### PULIZIA DELLA BATTERIA DI SCAMBIO TERMICO

È consigliabile controllare lo stato dello scambiatore prima di ogni stagione estiva, verificando che le alette non siano ostruite dall'impurità.

Per accedere alla batteria di scambio termico, occorre rimuovere il pannello di mandata (sia esso a collari oppure a flangia rettangolare) così come la vasca di raccolta condensa.

Una volta raggiunta la batteria, effettuare la pulizia con aria compressa o con vapore a bassa pressione, senza danneggiare le alette dello scambiatore.

Prima di ogni inizio del funzionamento estivo, verificare che lo scarico condensa avvenga regolarmente.

**Una manutenzione adeguata e periodica si traduce in risparmio energetico ed economico.**

## 9 RICERCA DEI GUASTI

Se l'apparecchio non funziona correttamente, prima di richiedere l'intervento del servizio assistenza, eseguite i controlli riportati nella tabella sotto riportata.

Se il problema non può essere risolto, rivolgetevi al rivenditore o al centro assistenza più vicino.

PROBLEMA	CAUSA	SOLUZIONE
L'unità non funziona	Manca corrente	Ridare corrente
	È scattato il salvavita	Chiedere l'intervento del servizio assistenza
	L'interruttore di avviamento è posto su 0.	Avviare la macchina ponendo l'interruttore su ON
L'unità riscalda o raffresca poco	Il filtro aria è sporco o otturato	Pulire il filtro aria
	C'è un ostacolo vicino all'aspirazione o all'uscita dell'aria	Rimuovere l'ostacolo
	È presente dell'aria all'interno dello scambiatore di calore	Chiedere l'intervento dell'installatore
	Le finestre e le porte sono aperte	Chiudere porte e/o finestre
L'unità "perde" acqua	È selezionata la velocità minima di funzionamento	Selezionare la velocità media o massima
	L'apparecchio non è installato con la giusta inclinazione	Chiedere l'intervento dell'installatore
	Lo scarico condensa è ostruito	Chiedere l'intervento dell'installatore

## 10 DATI TECNICI NOMINALI

» 2 tubi

FWP-C			04			05			06			08		
Velocità			min	med	max	min	med	max	min	med	max	min	med	max
Velocità certificate			2,5,7			1,5,7			1,6,7			1,4,7		
Tensione in ingresso	(E)	V	2,90	8,00	9,00	4,30	7,50	8,40	4,50	7,40	8,30	5,40	8,30	9,90
Portata aria nominale	(E)	m <sup>3</sup> /h	109	246	276	171	275	341	195	360	402	305	532	652
Prevalenza statica utile	(E)	Pa	10	50	63	19	50	77	19	50	63	17	50	75
Potenza assorbita	(E)	W	6	25	33	10	24	39	10	26	35	22	51	77
Corrente assorbita massima		A	0,32			0,60			0,84			0,84		
Resa raffreddamento totale	(1)(E)	kW	0,93	1,76	1,95	1,29	1,95	2,34	1,59	2,74	3,04	1,98	3,26	3,79
Resa raffreddamento sensibile	(1)(E)	kW	0,62	1,25	1,39	0,91	1,39	1,66	1,09	1,91	2,11	1,48	2,48	2,92
Classe FCEER	(E)		A											
Portata acqua	(2)	l/h	161	306	340	222	339	408	274	476	527	343	568	664
Perdita di carico	(2)(E)	kPa	2	5	6	3	6	8	3	7	9	3	8	11
Resa riscaldamento	(3)(E)	kW	0,88	1,81	1,99	1,33	1,98	2,35	1,59	2,80	3,10	2,35	3,71	4,31
Classe FCCOP	(E)		A											
Portata acqua	(3)	l/h	153	315	346	231	345	408	276	488	538	408	644	749
Perdita di carico	(3)(E)	kPa	1	4	5	2	5	7	2	6	8	4	9	11
Batteria standard - numero ranghi			3			3			4			3		
Potenza sonora globale	(4)	dB(A)	28	49	52	39	50	54	39	50	54	38	52	58
Potenza sonora irradiata + aspirazione aria	(4)(E)	dB(A)	26	47	50	37	48	52	37	48	52	36	50	56
Potenza sonora mandata aria	(4)(E)	dB(A)	25	46	49	36	47	51	36	47	51	35	49	55
Contenuto acqua - batteria STD		dm <sup>3</sup>	1,20			1,20			2,20			1,60		
Sezione cavi alimentazione	(5)	mm <sup>2</sup>	1,00			1,00			1,00			1,00		
Tipo cavo alimentazione			N07V-K											
Fusibile di protezione F		A	1			1			1			1		
Tipo fusibili			gG											

FWP-C			10			11			15			17		
Velocità			min	med	max	min	med	max	min	med	max	min	med	max
Velocità certificate			1,6,7			1,6,7			5,6,7			5,6,7		
Tensione in ingresso	(E)	V	3,40	7,60	8,50	3,40	7,60	8,50	6,80	7,50	8,30	6,80	7,50	8,30
Portata aria nominale	(E)	m <sup>3</sup> /h	333	687	760	333	687	760	1050	1163	1289	1050	1163	1289
Prevalenza statica utile	(E)	Pa	12	50	61	12	50	61	40	50	60	40	50	60
Potenza assorbita	(E)	W	11	54	68	11	54	68	105	128	162	105	128	162
Corrente assorbita massima		A	0,91			0,91			3,52			3,52		
Resa raffreddamento totale	(1)(E)	kW	2,29	4,34	4,75	2,51	4,91	5,35	6,28	6,81	7,38	7,04	7,64	8,28
Resa raffreddamento sensibile	(1)(E)	kW	1,67	3,21	3,51	1,77	3,45	3,76	4,64	5,03	5,46	4,96	5,38	5,84
Classe FCEER	(E)		A			A			C			B		
Portata acqua	(2)	l/h	394	753	828	432	850	930	1094	1190	1295	1225	1332	1448
Perdita di carico	(2)(E)	kPa	2	7	8	3	10	12	13	16	18	20	23	26
Resa riscaldamento	(3)(E)	kW	2,54	4,76	5,17	2,63	5,03	5,49	6,68	7,22	7,80	7,18	7,80	8,46
Classe FCCOP	(E)		A			A			B			B		
Portata acqua	(3)	l/h	441	827	898	457	875	955	1162	1256	1356	1248	1355	1471
Perdita di carico	(3)(E)	kPa	2	7	8	3	9	11	12	14	16	17	19	22
Batteria standard - numero ranghi			3			4			3			4		
Potenza sonora globale	(4)	dB(A)	38	55	58	38	55	58	61	63	69	61	63	69
Potenza sonora irradiata + aspirazione aria	(4)(E)	dB(A)	36	53	56	36	53	56	59	61	67	59	61	67
Potenza sonora mandata aria	(4)(E)	dB(A)	35	52	55	35	52	55	58	60	66	58	60	66
Contenuto acqua - batteria STD		dm <sup>3</sup>	2,50			3,30			2,50			3,30		
Sezione cavi alimentazione	(5)	mm <sup>2</sup>	1,00			1,00			1,50			1,50		
Tipo cavo alimentazione			N07V-K											
Fusibile di protezione F		A	1			1			2			2		
Tipo fusibili			gG											

(1) Temperatura acqua 7°C / 12°C, temperatura aria 27°C bulbo secco / 19°C bulbo umido (47% umidità relativa) espressa secondo la EN1397:2015

(2) Temperatura acqua 7°C / 12°C, temperatura aria 27°C bulbo secco / 19°C bulbo umido (47% umidità relativa)

(3) Temperatura acqua 45°C / 40°C, temperatura aria 20°C

(4) Potenza sonora rilevata secondo ISO 3741 e ISO 3742

(5) La sezione indicata è da considerarsi come sezione minima consigliata. La scelta dei cavi deve avvenire in conformità con la norma CEI - UNEL 35024/1.

(E) Dati certificati EUROVENT

Alimentazione elettrica 230-1-50 (V-ph-Hz)

» 4 tubi

FWP-C			04			05			06			08		
Velocità			min	med	max	min	med	max	min	med	max	min	med	max
Velocità certificate			2,5,7			1,5,7			1,6,7			1,4,7		
Tensione in ingresso	(E)	V	2,90	7,90	8,90	4,50	7,30	8,90	4,50	7,40	8,30	5,40	8,30	9,90
Portata aria nominale	(E)	m³/h	109	243	270	170	272	336	195	357	398	302	524	642
Prevalenza statica utile	(E)	Pa	10	50	63	19	50	77	19	50	63	17	50	75
Potenza assorbita	(E)	W	6	25	32	10	23	39	10	26	35	21	50	77
Corrente assorbita massima		A	0,32			0,60			0,84			0,84		
Resa raffreddamento totale	(1)(E)	kW	0,93	1,74	1,91	1,28	1,93	2,31	1,59	2,72	3,01	1,95	3,22	3,75
Resa raffreddamento sensibile	(1)(E)	kW	0,62	1,24	1,36	0,90	1,38	1,64	1,09	1,89	2,09	1,47	2,44	2,89
Classe FCEER	(E)		A											
Portata acqua	(2)	l/h	161	302	333	221	335	404	274	473	522	339	562	656
Perdita di carico	(2)(E)	kPa	2	5	6	3	6	8	3	7	9	3	8	11
Resa riscaldamento	(3)(E)	kW	1,14	1,93	2,06	1,55	2,07	2,32	2,09	3,09	3,29	2,80	3,82	4,24
Classe FCCOP	(E)		A											
Portata acqua	(3)	l/h	100	169	180	136	181	204	183	271	288	245	334	371
Perdita di carico	(3)(E)	kPa	1	2	3	2	3	3	2	3	4	3	5	6
Batteria aggiuntiva - numero ranghi			3+1			3+1			4+1			3+1		
Potenza sonora globale	(4)	dB(A)	28	49	52	39	50	54	39	50	54	38	52	58
Potenza sonora irradiata + aspirazione aria	(4)(E)	dB(A)	26	47	50	37	48	52	37	48	52	36	50	56
Potenza sonora mandata aria	(4)(E)	dB(A)	25	46	49	36	47	51	36	47	51	35	49	55
Contenuto acqua - batteria aggiuntiva		dm³	0,47			0,47			0,59			0,59		
Sezione cavi alimentazione	(5)	mm²	1,00			1,00			1,00			1,00		
Tipo cavo alimentazione			N07V-K											
Fusibile di protezione F		A	1			1			1			1		
Tipo fusibili			gG											

FWP-C			10			11			15			17		
Velocità			min	med	max	min	med	max	min	med	max	min	med	max
Velocità certificate			1,6,7			1,6,7			5,6,7			5,6,7		
Tensione in ingresso	(E)	V	3,40	7,60	8,50	3,40	7,60	8,50	6,80	7,50	8,30	6,80	7,50	8,30
Portata aria nominale	(E)	m³/h	333	683	755	333	683	755	1050	1163	1289	1050	1163	1289
Prevalenza statica utile	(E)	Pa	12	50	61	12	50	61	40	50	60	40	50	60
Potenza assorbita	(E)	W	11	54	67	11	54	67	105	128	162	105	128	162
Corrente assorbita massima		A	0,91			0,91			3,52			3,52		
Resa raffreddamento totale	(1)(E)	kW	2,29	4,32	4,72	2,51	4,88	5,32	6,28	6,81	7,38	7,04	7,64	8,28
Resa raffreddamento sensibile	(1)(E)	kW	1,67	3,19	3,48	1,77	3,43	3,74	4,64	5,03	5,46	4,96	5,38	5,84
Classe FCEER	(E)		A			A			C			B		
Portata acqua	(2)	l/h	394	749	822	432	846	925	1094	1190	1295	1225	1332	1448
Perdita di carico	(2)(E)	kPa	2	7	8	3	10	12	13	16	18	20	23	26
Resa riscaldamento	(3)(E)	kW	3,40	5,17	5,45	3,40	5,17	5,45	6,42	6,73	7,06	6,42	6,73	7,06
Classe FCCOP	(E)		A			A			C			C		
Portata acqua	(3)	l/h	297	452	477	297	452	477	562	589	618	562	589	618
Perdita di carico	(3)(E)	kPa	6	13	14	6	13	14	19	21	22	19	21	22
Batteria aggiuntiva - numero ranghi			3+1			4+1			3+1			4+1		
Potenza sonora globale	(4)	dB(A)	38	55	58	38	55	58	61	63	69	61	63	69
Potenza sonora irradiata + aspirazione aria	(4)(E)	dB(A)	36	53	56	36	53	56	59	61	67	59	61	67
Potenza sonora mandata aria	(4)(E)	dB(A)	35	52	55	35	52	55	58	60	66	58	60	66
Contenuto acqua - batteria aggiuntiva		dm³	0,97			0,97			0,97			0,97		
Sezione cavi alimentazione	(5)	mm²	1,00			1,00			1,50			1,50		
Tipo cavo alimentazione			N07V-K											
Fusibile di protezione F		A	1			1			2			2		
Tipo fusibili			gG											

- (1) Temperatura acqua 7°C / 12°C, temperatura aria 27°C bulbo secco / 19°C bulbo umido (47% umidità relativa) espressa secondo la EN1397:2015  
(2) Temperatura acqua 7°C / 12°C, temperatura aria 27°C bulbo secco / 19°C bulbo umido (47% umidità relativa)  
(3) Temperatura acqua 65°C / 55°C, temperatura aria 20°C  
(4) Potenza sonora rilevata secondo ISO 3741 e ISO 3742  
(5) La sezione indicata è da considerarsi come sezione minima consigliata. La scelta dei cavi deve avvenire in conformità con la norma CEI - UNEL 35024/1.  
(E) Dati certificati EUROVENT  
Alimentazione elettrica 230-1-50 (V-ph-Hz)

## 11 PESI

FWP-C	04	05	06	08	10	11	15	17
2 tubi	kg	24,4	25,4	33,0	36,0	45,0	45,0	51,0
4 tubi	kg	25,8	26,8	34,6	37,6	47,5	47,5	53,5



# TABLE DES MATIÈRES

---

<b>1</b>	<b>AVANT DE COMMENCER L'INSTALLATION</b> . . . .	p. 24
<b>2</b>	<b>UTILISATION PREVUE</b> . . . . .	p. 24
	LIEU D'INSTALLATION . . . . .	p. 24
<b>3</b>	<b>DESCRIPTION DE L'UNITÉ</b> . . . . .	p. 24
3.1	MODULATION ET EFFICACITÉ- INSTALLATION EN PLAFONNIER . . . . .	p. 24
3.2	COMPOSANTS PRINCIPAUX . . . . .	p. 25
	ACCESSOIRES . . . . .	p. 25
<b>4</b>	<b>DONNÉES DIMENSIONNELLES</b> . . . . .	p. 26
<b>5</b>	<b>INSTALLATION</b> . . . . .	p. 26
	AVERTISSEMENTS POUR L'INSTALLATION . . . . .	p. 26
5.1	MONTAGE DE L'UNITÉ . . . . .	p. 27
<b>6</b>	<b>VÉRIFICATION FONCTIONNELLE</b> . . . . .	p. 27
<b>7</b>	<b>UTILISATION</b> . . . . .	p. 28
<b>8</b>	<b>ENTRETIEN</b> . . . . .	p. 28
	NETTOYAGE DU FILTRE À AIR . . . . .	p. 28
	NETTOYAGE DE LA BATTERIE D'ÉCHANGE THERMIQUE . . . . .	p. 28
<b>9</b>	<b>RECHERCHE DES CAUSES D'ANOMALIE</b> . . . . .	p. 29
<b>10</b>	<b>DONNÉES TECHNIQUES NOMINALES</b> . . . . .	p. 30
<b>11</b>	<b>POIDS</b> . . . . .	p. 31
<b>12</b>	<b>FIGURE</b> . . . . .	p. 82

FR

## LIMITES DE FONCTIONNEMENT

Fluide caloporteur: **eau**

Température eau: **5 °C ÷ 90 °C**

Température air: **-20 °C ÷ 40 °C**

Tension à l'entrée: **230 V**

Pression maximum d'exercice: **16 bar**

Limite d'humidité relative de l'air ambiant: **RH<85% sans condensation**

# 1 AVANT DE COMMENCER L'INSTALLATION

Lire attentivement le présent manuel.

L'installation et les interventions d'entretien doivent être confiées à des techniciens qualifiés pour ce type d'appareil, conformément aux réglementations en vigueur.

Lors de la réception de l'unité, contrôler son état et vérifier qu'elle n'ait

pas subi de dommages durant le transport.

Pour l'installation et l'utilisation d'éventuels accessoires faire référence aux fiches techniques correspondantes.

Déterminer le modèle de ventilo-convecteur FWP-C suivant les indications figurant sur l'emballage.

## SYMBOLES DE SÉCURITÉ



**Lire attentivement le présent manuel**



**Attention**



**Utiliser les équipements de protection individuelle**

## UTILISER DES EPI APPROPRIÉS (GANTS POUR RÉFRIGÉRANT, LUNETTES DE PROTECTION)

doivent être traitées dans un centre spécialisé de collecte, de recyclage et de réutilisation. En vous assurant que ce produit est bien éliminé correctement, vous contribuez à la prévention des conséquences négatives potentielles pour l'environnement et la santé. Pour plus d'informations, contactez votre installateur ou l'autorité locale compétente.

**ATTENTION:** l'unité n'a pas de composants dangereux selon la classification du Règlement 1357/2014.



**ATTENTION:** Les produits électriques et électroniques ne doivent pas être éliminés avec les déchets ménagers non triés. NE démanteler PAS l'installation vous-même, le traitement de l'huile et d'autres composants doit être confié à un installateur agréé et doit être effectué conformément aux législations en vigueur. Les unités

# 2 UTILISATION PREVUE

Daikin décline toute responsabilité dans les cas suivants: l'appareil a été installé par des techniciens non qualifiés; il a été utilisé de manière impropre ou dans des conditions non admises; il n'a pas été soumis aux opérations d'entretien figurant dans le présent manuel; n'ont pas été

utilisées des pièces de rechange d'origine.

Appareils conçus pour la climatisation de l'air ambiant et destinés à être utilisés pour des applications de confort civil.

## LIEU D'INSTALLATION

Pour le choix du lieu d'installation observer les limitations suivantes:

- l'appareil de climatisation ne doit pas être positionné immédiatement au-dessous d'une prise de courant
- ne pas installer l'appareil dans des locaux où sont présents des gaz ou des poudres inflammables
- ne pas exposer l'appareil à des jets d'eau; ne pas installer dans une buanderie

- installer le ventilo-convecteur sur des parois ou des plafonds capables d'en supporter le poids, et laisser suffisamment d'espace tout autour pour assurer son bon fonctionnement et permettre les opérations d'entretien
- conserver l'unité dans son emballage jusqu'au moment de l'installation, évitant ainsi l'infiltration de poussière

# 3 DESCRIPTION DE L'UNITÉ

## MODULATION ET EFFICACITÉ- INSTALLATION EN PLAFONNIER

FWP-C représente le complément de la gamme grâce à la technologie EC inverter des moteurs électriques. Aux spécificités de FWP-C, s'ajoutent les avantages de la technologie brushless en termes de réduction des émissions de CO<sub>2</sub>, d'augmentation de la flexibilité de fonctionnement grâce à la modulation du débit d'air et en termes d'augmentation du niveau de confort hygrothermique et acoustique.

La gamme comprend 8 modèles qui couvrent une plage de débits d'air

allant de 300 à 1200 m<sup>3</sup>/h.

La modulation constante du débit d'air et l'utilisation d'échangeurs de chaleur à haute efficacité permet le fonctionnement avec des différences de température air-eau réduites.

Les circuits des échangeurs de chaleur permettent leur utilisation pour les applications centralisées telles que les district cooling.



## COMPOSANTS PRINCIPAUX

### Structure

En tôle d'acier zinguée, équipée de panneaux calorifugés et insonorisés en matériau autoextinguible (Classe 1). Modèle surbaissé pour faciliter l'installation en position horizontale, sous faux-plafonds; La structure comprend le bac auxiliaire de collecte et d'évacuation des condensats. Le bac principal de collecte des condensats est situé à l'intérieur de la structure de l'unité et se trouve en état de pression positive par rapport à l'écoulement afin de faciliter le drainage des condensats.

### Batterie d'échange thermique

Standard à 3 rangs ou 4 rangs disponible sur demande, à haut rendement, en tubes de cuivre et ailettes en aluminium, bloquées aux tubes par expansion mécanique, équipée de collecteurs en laiton et vannes de purge d'air. La batterie, normalement livrée avec des raccords à gauche, peut être tournée de 180°. Sur demande, sont disponibles des batteries haute efficacité optimisées pour les applications district cooling.

### Ventilateurs

Ventilateurs centrifuges à double aspiration réalisés en ABS ou en aluminium avec pales avancées, à équilibrage statique et dynamique et

accouplement direct au moteur électrique

### Moteur EC

Moteur à aimants permanents. L'unité est équipée de carte inverter de contrôle du moteur, permettant un réglage précis de la vitesse de rotation (signal de contrôle 0-10 V).

### Filtre à air

Filtre à air régénérable en fibre acrylique, classe de filtrage G3, logé sur l'aspiration de l'air, démontable à tiroir, par le bas.

### Aspiration air

Aspiration d'air frontal ou inférieur, selon les exigences du système.

### Exemple d'installation

La structure permet l'utilisation d'une ample gamme d'accessoires de reprise et de soufflage pour arriver à la configuration optimale de l'unité.

## ACCESSOIRES

Panneaux de commande électroniques à microprocesseur avec moniteur	
<b>FWEC3AP</b>	Carte de puissance pour commande FWEC3
<b>FWEC3AC</b>	Interface utilisateur avec moniteur pour contrôleur FWEC3
<b>FWEC3A</b>	Commande à microprocesseur avec moniteur FWEC3A
<b>FWH3KA</b>	Sonde d'humidité pour commandes FWEC3A FEWCS
<b>FWTSKA</b>	Sonde eau pour commandes FWEC et FWEC3
Bacs auxiliaires de collecte des condensats, coques d'isolation, pompe purge des condensats	
<b>CDRP1A</b>	Kit pompe purge des condensats
Résistances électriques	
<b>EH</b>	Résistance électrique avec kit de montage, boîtier relais et sécurités
Accessoires	
<b>EDPD7</b>	Bac auxiliaire de collecte des condensats
<b>EPIMSB6</b>	Interface de puissance pour le branchement en parallèle d'un maximum de 4 unités à une unique commande
Vannes	
Vannes à 2 voies, contacteurs ON/OFF ou MODULANTS, alimentation 230 V ou 24 V, kit hydraulique pour batterie additionnelle	
Vannes à 2 voies, contacteurs ON/OFF ou MODULANTS, alimentation 230 V ou 24 V, kit hydraulique pour batterie principale	
Vannes à 3 voies, contacteurs ON/OFF ou MODULANTS, alimentation 230 V ou 24 V, kit hydraulique pour batterie additionnelle	
Vannes à 3 voies, contacteurs ON/OFF ou MODULANTS, alimentation 230 V ou 24 V, kit hydraulique pour batterie principale	
Vannes à 2 voies pressure independent, contacteurs ON/OFF ou MODULANTS, alimentation 230 V ou 24 V, kit hydraulique pour batterie principale et additionnelle	

## 4 DONNÉES DIMENSIONNELLES

Sur la figure p. 82-83 sont indiquées les dimensions des appareils FWP-C et sont indiquées les positions des raccords hydrauliques.

## 5 INSTALLATION

**⚠ ATTENTION:** L'installation et la mise en service de l'unité doivent être confiées à un personnel compétent et effectuées conformément aux standards techniques applicables et aux normes en vigueur.

**⚠ ATTENTION:** Installer l'unité gainable, l'interrupteur de ligne (IL) et/ou les commandes à distances éventuelles dans une position non accessible par les personnes se trouvant dans la baignoire ou dans la douche.

**👉 RECOMMANDATION:** Il est recommandé d'installer les accessoires éventuels sur l'appareil standard avant son positionnement. Voir les fiches techniques. L'aspiration et le soufflage sont à section

rectangulaire, avec éléments prédécoupés pour fixer les accessoires disponibles.

Les raccords de l'échangeur peuvent être montés sur l'autre côté, en procédant comme suit (p. 84) :

- démonter le panneau frontal supérieur.
- démonter le bac de collecte des condensats.
- démonter la batterie d'échange thermique en enlevant les vis de fixation (2 par côté).
- tourner la batterie de 180° (sur l'axe vertical) et la fixer de nouveau sur l'unité.
- remonter le bac et la fermeture.

### AVERTISSEMENTS POUR L'INSTALLATION

Quelques règles à suivre

- Purger l'air de l'échangeur en utilisant les vannes de purge à côté des raccords hydrauliques de l'échangeur.
- Les conduites devront être protégées avec des matériaux anti-condensats, en particulier la conduite de soufflage d'air.
- Près de l'appareil prévoir un panneau de visite pour les opérations d'entretien et de nettoyage.
- L'unité doit être installée sur la base de considérations techniques et sur la base d'un projet, à l'issue d'une évaluation aéraulique et d'une évaluation de la CONTRE-PRESSION offerte par la CANALISATION appliquée sur le refoulement pour éviter le problème de l'absence de modification de la vitesse: problème qui ne saurait être imputé au produit mais uniquement à l'installation;
- Installer l'unité en veillant à réaliser les trappes d'inspection nécessaires à l'entretien courant et exceptionnel des ventilo-convecteurs (entre autres pour les interventions de changement de pièces mécaniques, électriques et hydrauliques);
- Installer l'éventuel panneau de commande sur la paroi dans une position facile d'accès, aussi bien pour faciliter l'utilisation que pour garantir une mesure fiable de la température. Éviter les positions directement exposées aux rayons du soleil, aux courants directs d'air chaud ou froid et la présence d'obstacles empêchant une lecture exacte de la température.

**⚠ AVERTISSEMENT:**

En fonctionnement normal, en particulier quand le ventilateur est à la vitesse minimum et quand l'humidité relative de l'air ambiant est élevée, il est possible que de la condensation se forme sur le refoulement d'air et sur certaines parties de la structure externe de l'appareil.

En fonctionnement normal, en particulier quand le ventilateur est à la vitesse minimum et quand l'humidité relative de l'air ambiant est élevée, il est possible que de la condensation se forme sur le refoulement d'air et sur certaines parties de la structure externe de l'appareil. Pour prévenir de tels phénomènes, en respectant dans tous les cas les limites de fonctionnement de l'appareil, il est nécessaire de limiter la température de l'eau en entrée présente dans l'échangeur. En particulier, il est nécessaire que l'écart entre la température de rosée de l'air ( $T_{A,DP}$ ) et la température de l'eau en entrée ( $T_W$ ) NE SOIT PAS supérieure à 14°C, conformément au rapport suivant:  $T_W > T_{A,DP} - 14 \text{ °C}$

**Exemple:** si la température de l'air ambiant est de 25°C avec 75%

d'humidité relative, la température de rosée est d'environ 20°C et, conséquemment, la température de l'eau en entrée dans la batterie doit être supérieure à:

- Exemple : si la température de l'air ambiant est de 25°C avec 75% d'humidité relative, la température de rosée est d'environ 20°C et, conséquemment, la température moyenne de l'eau dans la batterie doit être supérieure à  $20 - 14 = 6 \text{ °C}$  afin de prévenir la formation de condensation sur les ventilo-convecteurs dotés de vanne.
- $20 - 12 = 8 \text{ °C}$  dans le cas où il ne serait pas possible d'installer l'accessoire kit vannes.

		Unités terminales avec vanne						
		Température bulbe sec [°C]						
		21	23	25	27	29	31	33
Humidité relative %	40	5	5	5	5	5	5	5
	50	5	5	5	5	5	6	8
	60	5	5	5	5	7	9	11
	70	5	5	6	8	9	11	13
	80	5	6	8	10	12	14	16
	90	6	8	10	12	14	16	18

		Unités terminales sans vanne						
		Température bulbe sec [°C]						
		21	23	25	27	29	31	33
Humidité relative %	40	6	6	6	6	6	6	6
	50	6	6	6	6	6	8	10
	60	6	6	6	7	9	11	13
	70	6	6	8	10	11	13	15
	80	6	8	10	12	12	16	18
	90	8	10	12	14	14	18	20

En cas d'arrêt prolongé de l'unité, avec ventilateur à l'arrêt et circulation d'eau froide dans l'échangeur, il est possible que de la condensation se forme également à l'extérieur de l'appareil. Dans ce cas, il est recommandé d'installer l'accessoire vanne à 3 voies (ou à 2 voies) de façon à pouvoir couper le flux d'eau dans la batterie quand le ventilateur est à l'arrêt.

En cas d'arrêt pendant l'hiver, évacuer l'eau de l'installation pour prévenir les dommages que provoquerait la formation de glace. En cas d'utilisation d'un antigel, veiller à contrôler le point de congélation en faisant référence au tableau suivant.

% en poids de glycol	Température de congélation (°C)	Variation de la puissance rendue	Variation de la perte de charge
0	0	1,00	1,00
10	-4	0,97	1,05
20	-10	0,92	1,10
30	-16	0,87	1,15
40	-24	0,82	1,20

### Branchements électriques

Les branchements électriques devront être effectués avec l'appareil hors tension et conformément aux dispositions de sécurité en vigueur. Les branchements électriques devront être effectués uniquement par des techniciens qualifiés.

**Pour chaque unité de thermoventilation prévoir sur le réseau**

**d'alimentation un interrupteur (IL) avec contacts d'ouverture à une distance d'au moins 3 mm et un fusible (F) de protection adéquat.**

Les intensités électriques sont indiquées sur la plaque signalétique de l'unité

Lors de l'installation, suivre scrupuleusement le schéma électrique de la combinaison unité-panneau de commande.

FWP-C + FWEC3A (moteur incorporé) p. 86

FWP-C + FWEC3A (moteur séparé) p. 87

FWP-C + FWEC3 p. 88

**NOTE: Les câbles électriques (alimentation et commande) doivent être portés au bornier en passant par le serre-câble situé du côté opposé par rapport aux raccords hydrauliques.**

**ATTENTION** : Le câble COMMUN du moteur est BLANC. Un branchement incorrect peut provoquer des dommages irréparables au moteur.

## 5.1 MONTAGE DE L'UNITÉ

### Fixation de l'unité

Introduire les tampons antivibratoires fournis dans les 4 lumières prévues pour la fixation au plafond.

Fixer l'unité de base au plafond ou à la paroi. Utiliser les 4 lumières prévues.

- Il est recommandé d'utiliser des barres filetées 8MA, des chevilles de fixation adéquates au poids de l'appareil et de préparer le positionnement de l'appareil en utilisant 3 boulons 8MA (2 en partie basse, 1 en partie haute comme indiqué sur la figure p. 85) et deux rondelles pour chaque barre. Avant de serrer le contre-écrou, régler le serrage de l'écrou principal de manière à donner à l'appareil une inclinaison permettant l'écoulement correct des condensats

(figure p. 85 Purge des condensats). L'inclinaison est correcte si la différence de niveau entre l'aspiration en partie basse et le refoulement est de 10 mm entre les deux extrémités. Effectuer les raccordements hydrauliques à l'échangeur thermique, pour la modalité chauffage et à l'écoulement des condensats, pour la modalité rafraîchissement. Utiliser un des deux points d'écoulements du bac, apparaissant à l'extérieur des flasques de l'unité.

- Pour le raccordement de l'unité à la ligne d'écoulement des condensats, utiliser un tuyau flexible en caoutchouc et le fixer au tuyau d'écoulement choisi (ø 3/8") au moyen d'un collier en métal (utiliser le point d'écoulement se trouvant sur le côté raccords hydrauliques).

## 6 VÉRIFICATION FONCTIONNELLE

- Vérifier que l'appareil a été installé dans le respect de l'inclinaison spécifiée.
- Vérifier que l'écoulement des condensats n'est pas bouché (gravats ou autres).
- Contrôler l'étanchéité des raccordements hydrauliques.
- Vérifier si les circuits électriques sont bien fixés (après avoir mis l'appareil hors tension).
- Vérifier si l'air de l'échangeur de chaleur a été purgé.
- Mettre le ventilo-convecteur sous tension et vérifier le fonctionnement.

## 7 UTILISATION

Pour l'utilisation du ventilo-convecteur faire référence aux instructions fournies sur le panneau de commande, disponible comme accessoire.

**ATTENTION:** Pour des raisons de sécurité, ne pas introduire les doigts ou autres objets dans la grille de sortie d'air.

**DANGER:** L'appareil peut être utilisé par des enfants d'âge non inférieur à 8 ans et par des personnes à capacités physiques, sensorielles ou mentales réduites, voire ne possédant pas les connaissances ou l'expérience nécessaires, à condition que ce soit sous la

supervision d'une personne responsable ou après leur avoir communiqué les instructions pour une utilisation de l'appareil gage de sécurité et les informations nécessaires à la compréhension des dangers auxquels l'appareil expose. Les enfants ne doivent pas jouer avec l'appareil. Le nettoyage et l'entretien incombant à l'utilisateur ne doivent pas être effectués par des enfants sans surveillance.

## 8 ENTRETIEN

**Pour des raisons de sécurité, avant toute opération d'entretien ou de nettoyage, éteindre l'appareil: porter le sélecteur de vitesse sur "Arrêt" et l'interrupteur de ligne sur 0 (OFF).**

**DANGER!** Faire attention durant les opération d'entretien: les parties métalliques pouvant provoquer des blessures; se munir de gants de protection.

Les unités gainables FWP-C ne nécessitent que des opérations d'entretien périodique du filtre à air, de l'échangeur de chaleur et du contrôle

de l'efficacité de l'écoulement des condensats.

**L'entretien ne peut être confié qu'à un personnel spécialisé.**

Chaque fois que l'appareil est remis en marche après une longue période à l'arrêt, veiller à ce qu'à l'intérieur de l'échangeur thermique il n'y a pas d'air.

Le moteur ne nécessite aucun entretien, étant doté de roulements autolubrifiants.

### NETTOYAGE DU FILTRE À AIR

Porter l'interrupteur de ligne sur 0 (OFF) et mettre ainsi l'appareil hors tension.

Pour le nettoyage du filtre à air, procéder comme suit:

1. Avoir accès à l'appareil par le panneau de visite. Enlever le filtre à air, comme indiqué sur la figure (p.89 Nettoyage du filtre à air):
2. Si le filtre est monté à l'intérieur de la grille d'aspiration, enlever la

grille et procéder aux opérations décrites ci-dessous.

3. Nettoyer le filtre à l'eau tiède. Dans le cas de poussière sèche, utiliser l'air comprimé.
  4. Laisser sécher le filtre et le remonter.
- Dimensions filtre à air, voir figure: p. 84 .

### NETTOYAGE DE LA BATTERIE D'ÉCHANGE THERMIQUE

Contrôler l'état de l'échangeur avant chaque saison d'été. Vérifier si les ailettes sont libres d'impuretés.

Pour avoir accès à l'échangeur thermique, démonter le panneau de sortie (de type à colliers ou à bride rectangulaire) et le bac de récupération des condensats.

Après avoir atteint l'échangeur, nettoyer à l'air comprimé ou à la vapeur à basse pression, sans endommager les ailettes.

Avant le début du fonctionnement d'été, vérifier si l'écoulement des condensats est correct.

**Un entretien périodique correct se traduit par économie d'énergie et de coûts.**

## 9 RECHERCHE DES CAUSES D'ANOMALIE

Si l'appareil ne fonctionne pas correctement, avant de s'adresser au service d'assistance, effectuer les contrôles indiqués sur le tableau ci-dessous.

Si le problème ne peut pas être résolu, s'adresser au distributeur ou au centre d'assistance le plus proche.

PROBLÈME	CAUSE	SOLUTION
L'unité ne fonctionne pas	Il manque de courant	Remettre sous tension
	Disjoncteur déclenché	Demander l'intervention du centre d'assistance
	L'interrupteur de mis en service est à 0.	Mettre en marche l'unité en portant l'interrupteur sur ON
Chauffage/ rafraîchissement insuffisant	Le filtre à air est sale ou obstrué	Nettoyer le filtre à air
	Un obstacle se trouve près de l'aspiration ou de la sortie d'air	Éliminer l'obstacle
	Présence d'air à l'intérieur de l'échangeur de chaleur	Demander l'intervention de l'installateur
	Les fenêtres et/ou les portes sont ouvertes	Fermer portes et/ou fenêtres
L'unité a des pertes d'eau	Petite vitesse de fonctionnement sélectionnée	Sélectionner la MV ou la GV
	Inclinaison d'installation non correcte	Demander l'intervention de l'installateur
	Écoulement des condensats bouché	Demander l'intervention de l'installateur

# 10 DONNÉES TECHNIQUES NOMINALES

» 2 tuyaux

FWP-C			04			05			06			08		
Vitesse			min	med	max	min	med	max	min	med	max	min	med	max
Vitesses certifiées			2,5,7			1,5,7			1,6,7			1,4,7		
Tension à l'entrée	(E)	V	2,90	8,00	9,00	4,30	7,50	8,40	4,50	7,40	8,30	5,40	8,30	9,90
Débit d'air nominal	(E)	m³/h	109	246	276	171	275	341	195	360	402	305	532	652
Pression statique utile	(E)	Pa	10	50	63	19	50	77	19	50	63	17	50	75
Puissance absorbée	(E)	W	6	25	33	10	24	39	10	26	35	22	51	77
Courant maximum absorbé		A	0,32			0,60			0,84			0,84		
Puissance frigorifique totale	(1)(E)	kW	0,93	1,76	1,95	1,29	1,95	2,34	1,59	2,74	3,04	1,98	3,26	3,79
Puissance frigorifique sensible	(1)(E)	kW	0,62	1,25	1,39	0,91	1,39	1,66	1,09	1,91	2,11	1,48	2,48	2,92
Classe FCEER		(E)	A											
Débit d'eau	(2)	l/h	161	306	340	222	339	408	274	476	527	343	568	664
Perte de charge	(2)(E)	kPa	2	5	6	3	6	8	3	7	9	3	8	11
Puissance calorifique	(3)(E)	kW	0,88	1,81	1,99	1,33	1,98	2,35	1,59	2,80	3,10	2,35	3,71	4,31
Classe FCCOP		(E)	A											
Débit d'eau	(3)	l/h	153	315	346	231	345	408	276	488	538	408	644	749
Perte de charge	(3)(E)	kPa	1	4	5	2	5	7	2	6	8	4	9	11
Échangeur standard – nombre de rangs			3			3			4			3		
Puissance acoustique globale	(4)	dB(A)	28	49	52	39	50	54	39	50	54	38	52	58
Puissance acoustique produite + aspiration air	(4)(E)	dB(A)	26	47	50	37	48	52	37	48	52	36	50	56
Puissance acoustique soufflage d'air	(4)(E)	dB(A)	25	46	49	36	47	51	36	47	51	35	49	55
Contenu eau - Échangeur STD		dm³	1,20			1,20			2,20			1,60		
Section câbles d'alimentation		(5) mm²	1,00			1,00			1,00			1,00		
Type câble d'alimentation			N07V-K											
Fusible de protection F		A	1			1			1			1		
Type fusibles			gG											

FWP-C			10			11			15			17		
Vitesse			min	med	max	min	med	max	min	med	max	min	med	max
Vitesses certifiées			1,6,7			1,6,7			5,6,7			5,6,7		
Tension à l'entrée	(E)	V	3,40	7,60	8,50	3,40	7,60	8,50	6,80	7,50	8,30	6,80	7,50	8,30
Débit d'air nominal	(E)	m³/h	333	687	760	333	687	760	1050	1163	1289	1050	1163	1289
Pression statique utile	(E)	Pa	12	50	61	12	50	61	40	50	60	40	50	60
Puissance absorbée	(E)	W	11	54	68	11	54	68	105	128	162	105	128	162
Courant maximum absorbé		A	0,91			0,91			3,52			3,52		
Puissance frigorifique totale	(1)(E)	kW	2,29	4,34	4,75	2,51	4,91	5,35	6,28	6,81	7,38	7,04	7,64	8,28
Puissance frigorifique sensible	(1)(E)	kW	1,67	3,21	3,51	1,77	3,45	3,76	4,64	5,03	5,46	4,96	5,38	5,84
Classe FCEER		(E)	A			A			C			B		
Débit d'eau	(2)	l/h	394	753	828	432	850	930	1094	1190	1295	1225	1332	1448
Perte de charge	(2)(E)	kPa	2	7	8	3	10	12	13	16	18	20	23	26
Puissance calorifique	(3)(E)	kW	2,54	4,76	5,17	2,63	5,03	5,49	6,68	7,22	7,80	7,18	7,80	8,46
Classe FCCOP		(E)	A			A			B			B		
Débit d'eau	(3)	l/h	441	827	898	457	875	955	1162	1256	1356	1248	1355	1471
Perte de charge	(3)(E)	kPa	2	7	8	3	9	11	12	14	16	17	19	22
Échangeur standard – nombre de rangs			3			4			3			4		
Puissance acoustique globale	(4)	dB(A)	38	55	58	38	55	58	61	63	69	61	63	69
Puissance acoustique produite + aspiration air	(4)(E)	dB(A)	36	53	56	36	53	56	59	61	67	59	61	67
Puissance acoustique soufflage d'air	(4)(E)	dB(A)	35	52	55	35	52	55	58	60	66	58	60	66
Contenu eau - Échangeur STD		dm³	2,50			3,30			2,50			3,30		
Section câbles d'alimentation		(5) mm²	1,00			1,00			1,50			1,50		
Type câble d'alimentation			N07V-K											
Fusible de protection F		A	1			1			2			2		
Type fusibles			gG											

(1) Température eau 7°C / 12°C, température air 27°C bulbe sec / 19°C bulbe humide (47% humidité relative) conforme à EN1397:2015

(2) Température eau 7°C / 12°C, température air 27°C bulbe sec / 19°C bulbe humide (47% humidité relative)

(3) Température eau 45°C / 40°C, température air 20°C

(4) Puissance acoustique mesurée selon ISO 3741 et ISO 3742

(5) La section indiquée doit être considéré comme section minimum conseillée. Le choix des câbles doit s'effectuer conformément à la norme CEI - UNEL 35024/1.

(E) Données certificats EUROVENT

Alimentation électrique 230-1-50 (V-ph-Hz)

» 4 tuyaux

FWP-C			04			05			06			08		
Vitesse			min	med	max	min	med	max	min	med	max	min	med	max
Vitesses certifiées			2,5,7			1,5,7			1,6,7			1,4,7		
Tension à l'entrée	(E)	V	2,90	7,90	8,90	4,50	7,30	8,90	4,50	7,40	8,30	5,40	8,30	9,90
Débit d'air nominal	(E)	m <sup>3</sup> /h	109	243	270	170	272	336	195	357	398	302	524	642
Pression statique utile	(E)	Pa	10	50	63	19	50	77	19	50	63	17	50	75
Puissance absorbée	(E)	W	6	25	32	10	23	39	10	26	35	21	50	77
Courant maximum absorbé			A			0,60			0,84			0,84		
Puissance frigorifique totale	(1)(E)	kW	0,93	1,74	1,91	1,28	1,93	2,31	1,59	2,72	3,01	1,95	3,22	3,75
Puissance frigorifique sensible	(1)(E)	kW	0,62	1,24	1,36	0,90	1,38	1,64	1,09	1,89	2,09	1,47	2,44	2,89
Classe FCEER			(E)			A			A			A		
Débit d'eau	(2)	l/h	161	302	333	221	335	404	274	473	522	339	562	656
Perte de charge	(2)(E)	kPa	2	5	6	3	6	8	3	7	9	3	8	11
Puissance calorifique	(3)(E)	kW	1,14	1,93	2,06	1,55	2,07	2,32	2,09	3,09	3,29	2,80	3,82	4,24
Classe FCCOP			(E)			A			A			A		
Débit d'eau	(3)	l/h	100	169	180	136	181	204	183	271	288	245	334	371
Perte de charge	(3)(E)	kPa	1	2	3	2	3	3	2	3	4	3	5	6
Échangeur additionnelle – nombre de rangs			3+1			3+1			4+1			3+1		
Puissance acoustique globale	(4)	dB(A)	28	49	52	39	50	54	39	50	54	38	52	58
Puissance acoustique produite + aspiration air	(4)(E)	dB(A)	26	47	50	37	48	52	37	48	52	36	50	56
Puissance acoustique soufflage d'air	(4)(E)	dB(A)	25	46	49	36	47	51	36	47	51	35	49	55
Contenu eau - Échangeur additionnelle			dm <sup>3</sup>			0,47			0,59			0,59		
Section câbles d'alimentation			(5)			mm <sup>2</sup>			1,00			1,00		
Type câble d'alimentation									N07V-K					
Fusible de protection F			A			1			1			1		
Type fusibles									gG					

FWP-C			10			11			15			17		
Vitesse			min	med	max	min	med	max	min	med	max	min	med	max
Vitesses certifiées			1,6,7			1,6,7			5,6,7			5,6,7		
Tension à l'entrée	(E)	V	3,40	7,60	8,50	3,40	7,60	8,50	6,80	7,50	8,30	6,80	7,50	8,30
Débit d'air nominal	(E)	m <sup>3</sup> /h	333	683	755	333	683	755	1050	1163	1289	1050	1163	1289
Pression statique utile	(E)	Pa	12	50	61	12	50	61	40	50	60	40	50	60
Puissance absorbée	(E)	W	11	54	67	11	54	67	105	128	162	105	128	162
Courant maximum absorbé			A			0,91			3,52			3,52		
Puissance frigorifique totale	(1)(E)	kW	2,29	4,32	4,72	2,51	4,88	5,32	6,28	6,81	7,38	7,04	7,64	8,28
Puissance frigorifique sensible	(1)(E)	kW	1,67	3,19	3,48	1,77	3,43	3,74	4,64	5,03	5,46	4,96	5,38	5,84
Classe FCEER			(E)			A			C			B		
Débit d'eau	(2)	l/h	394	749	822	432	846	925	1094	1190	1295	1225	1332	1448
Perte de charge	(2)(E)	kPa	2	7	8	3	10	12	13	16	18	20	23	26
Puissance calorifique	(3)(E)	kW	3,40	5,17	5,45	3,40	5,17	5,45	6,42	6,73	7,06	6,42	6,73	7,06
Classe FCCOP			(E)			A			C			C		
Débit d'eau	(3)	l/h	297	452	477	297	452	477	562	589	618	562	589	618
Perte de charge	(3)(E)	kPa	6	13	14	6	13	14	19	21	22	19	21	22
Échangeur additionnelle – nombre de rangs			3+1			4+1			3+1			4+1		
Puissance acoustique globale	(4)	dB(A)	38	55	58	38	55	58	61	63	69	61	63	69
Puissance acoustique produite + aspiration air	(4)(E)	dB(A)	36	53	56	36	53	56	59	61	67	59	61	67
Puissance acoustique soufflage d'air	(4)(E)	dB(A)	35	52	55	35	52	55	58	60	66	58	60	66
Contenu eau - Échangeur additionnelle			dm <sup>3</sup>			0,97			0,97			0,97		
Section câbles d'alimentation			(5)			mm <sup>2</sup>			1,50			1,50		
Type câble d'alimentation									N07V-K					
Fusible de protection F			A			1			2			2		
Type fusibles									gG					

- (1) Température eau 7°C / 12°C, température air 27°C bulbe sec / 19°C bulbe humide (47% humidité relative) conforme à EN1397:2015  
 (2) Température eau 7°C / 12°C, température air 27°C bulbe sec / 19°C bulbe humide (47% humidité relative)  
 (3) Température eau 65°C / 55°C, température air 20°C  
 (4) Puissance acoustique mesurée selon ISO 3741 et ISO 3742  
 (5) La section indiquée doit être considéré comme section minimum conseillée. Le choix des câbles doit s'effectuer conformément à la norme CEI - UNEI 35024/1.  
 (E) Données certificats EUROVENT  
 Alimentation électrique 230-1-50 (V-ph-Hz)

## 11 POIDS

FWP-C	04	05	06	08	10	11	15	17
2 tuyaux	kg	24,4	25,4	33,0	36,0	45,0	45,0	51,0
4 tuyaux	kg	25,8	26,8	34,6	37,6	47,5	47,5	53,5





# INHALTSVERZEICHNIS

---

<b>1</b>	<b>VOR DER INSTALLATION</b> .....	S. 34
<b>2</b>	<b>ERWARTETE VERWENDUNG</b> .....	S. 34
	INSTALLATIONSORT .....	S. 34
<b>3</b>	<b>BESCHREIBUNG DES GERÄTS</b> .....	S. 34
3.1	MODULATION UND LEISTUNG ZUM EINBAU IN DIE DECKE .....	S. 34
3.2	HAUPTBESTANDTEILE .....	S. 35
	ZUBEHÖR .....	S. 35
<b>4</b>	<b>ABMESSUNGEN</b> .....	S. 36
<b>5</b>	<b>EINSTELLUNG</b> .....	S. 36
	HINWEISE FÜR DIE INSTALLATION .....	S. 36
5.1	MONTAGE VON EINHEITEN .....	S. 37
<b>6</b>	<b>FUNKTIONSPRÜFUNG</b> .....	S. 37
<b>7</b>	<b>BETRIEB</b> .....	S. 38
<b>8</b>	<b>WARTUNG</b> .....	S. 38
	REINIGUNG DES LUFTFILTERS .....	S. 38
	REINIGUNG DES WÄRMETAUSCHERS .....	S. 38
<b>9</b>	<b>STÖRUNGSSUCHE</b> .....	S. 39
<b>10</b>	<b>TECHNISCHE NENNDATEN</b> .....	S. 40
<b>11</b>	<b>GEWICHT</b> .....	S. 41
<b>12</b>	<b>ABBILDUNG</b> .....	S. 82

DE

## BETRIEBSGRENZWERTE

Wärmeträgerflüssigkeit: **Wasser**

Wassertemperatur: **5 °C ÷ 90 °C**

Lufttemperatur: **-20 °C ÷ 40 °C**

Eingangsspannung: **230 V**

Max. Betriebsdruck: **16 bar**

Grenzwert relative Luftfeuchtigkeit der Raumluft: **RH<85%**  
**nicht kondensierend**

# 1 VOR DER INSTALLATION

Lesen Sie dieses Handbuch aufmerksam durch. Installation und Wartung des Geräts müssen ausschließlich durch für diesen Maschinentyp qualifiziertes technisches Fachpersonal unter Beachtung der geltenden Gesetze ausgeführt werden. Bei Empfang dieses Geräts ist dessen Zustand zu prüfen und es ist zu



**⚠ WARTUNG:** Elektrische und elektronische Produkte nicht mit unsortiertem Hausmüll vermengt werden darf. Versuchen Sie NICHT das System selbst zu demontieren: die Demontierung des Systems, die Behandlung des Öls und anderer Teile muss von einem autorisierten Installateur durchgeführt werden und muss mit den anwendbaren

kontrollieren, dass es keine Transportschäden erlitten hat. Für die Installation und den Gebrauch des eventuellen Zubehörs wird auf die entsprechenden technischen Datenblätter verwiesen. Das Modell des Gebläsekonvektors FWP-C ist aus den Angaben auf der Verpackung zu entnehmen.

## SICHERHEITSSZEICHEN



Lesen Sie bitte aufmerksam dieses Handbuch



Achtung



Persönliche Schutzausrüstung benutzen

## PASSENDE PSA BENUTZEN (HANDSCHUHE FÜR KÄLTEMITTEL, SCHUTZBRILLE).

Gesetzen übereinstimmen. Die Einheiten müssen in speziellen Behandlungsanlagen für die Wiederverwendung, Recycling und Rückgewinnung aufbereitet werden. Durch Sicherstellung einer korrekten Entsorgung dieses Produkts können Sie dazu beitragen, mögliche negative Konsequenzen für die Umwelt und für die menschliche Gesundheit vorzubeugen. Für weitere Informationen wenden Sie sich an Ihren Installateur oder an die örtlichen Behörden.

**⚠ WARTUNG:** Das Gerät enthält keine gefährlichen Komponenten gemäß der Klassifizierung der Verordnung 1357/2014.

# 2 ERWARTETE VERWENDUNG

Die Firma Daikin ist von jeglicher Haftung entbunden, wenn das Gerät durch nicht qualifiziertes Personal installiert wird, unsachgemäß oder unter unzulässigen Bedingungen verwendet wird, wenn die in diesem Handbuch vorgeschriebenen Wartungsarbeiten nicht ausgeführt oder keine

Originalersatzteile verwendet werden. Für die Klimatisierung der Raumluft und für den Einsatz für Anwendungen im Bereich Zivilkomfort entwickelt

## INSTALLATIONSORT

Bei der Wahl des Installationsorts sind folgende Punkte zu beachten:

- Das Klimagerät darf nicht unmittelbar unter einer Steckdose aufgestellt werden
- Die Einheit darf nicht in Umgebungen installiert werden, in denen brennbare Gase oder Stäube vorhanden sind
- Die Einheit darf nicht direkten Wasserspritzern ausgesetzt werden; Nicht in einer Waschküche aufstellen

- Der Gebläsekonvektor muss an Wänden oder Decken installiert werden, die seinem Gewicht standhalten. Dabei ist um das Gerät herum genug Platz zu bewahren, damit der einwandfreie Betrieb und die Wartungsarbeiten garantiert sind
- Das Gerät bis zur Installation in der Verpackung aufbewahren, damit kein Staub eindringen kann

# 3 BESCHREIBUNG DES GERÄTS

## MODULATION UND LEISTUNG ZUM EINBAU IN DIE DECKE

FWP-C ist die Vervollständigung der Palette unter Anwendung der Technologie EC Inverter für Elektromotoren. Zu den Besonderheiten von FWP-C gesellen sich die Vorteile der Brushless-Technologie bezüglich der Verringerung des Stromverbrauchs und der damit verbundenen Senkung des CO<sub>2</sub>-Ausstoßes, eine bessere Betriebsvielseitigkeit dank der Modulation des Luftdurchsatzes und ein höherer thermo-hygrometrischer und akustischer Komfort.

Das Angebot besteht aus 12 Modellen, die einen Luftdurchsatzbereich von

300 bis 1200 m<sup>3</sup>/h decken.

Die kontinuierliche Modulation des Luftdurchsatzes und der Einsatz von Wärmetauschern mit hohem Wirkungsgrad ermöglicht den Betrieb auch bei geringen Luft/Wasser-Temperaturunterschieden.

Die Wärmetauscher können ferner hinsichtlich ihren Kreislaufs für zentralisierte Anwendungen wie das District Cooling optimiert werden.

## HAUPTBESTANDTEILE

### Struktur

Struktur aus verzinktem Stahlblech, wärme- und schallisoliert mit selbstlöschenden Tafeln Klasse 1. Reduzierte Höhe der Einheit zwecks bequemer Installation in horizontaler Position an der Zwischendecke. Die Struktur enthält das Kondenswassersammel- und -ablassbecken.

Das Haupt-Kondenswassersammelbecken ist innerhalb der Einheit positioniert und weist gegenüber dem Ablass einen leichten Überdruck auf, um das Abfließen des Kondenswassers zu fördern.

### Wärmetauscherbatterie

Wärmetauscherbatterien mit hohem Wirkungsgrad mit 3 oder 4 Reihen (auf Anfrage), aus Kupferrohren und Aluminiumrippen, die mittels mechanischer Dehnung an den Rohren befestigt sind. Ausgestattet mit Verteilern aus Messing und Entlüftungsventilen. Die normalerweise mit nach links weisenden Anschlüssen montierte Batterie kann um 180° gedreht werden. Auf Anfrage stehen für District-Cooling-Anwendungen optimierte Batterien mit hohem Wirkungsgrad zur Verfügung.

### Ventilatoren

Zentrifugallüfter mit Doppelansaugung, gefertigt aus ABS oder Aluminium, mit statisch und dynamisch ausgewuchteten vorderen Schaufeln, direkt an

den Elektromotor gekuppelt.

### EC-Motor

Permanantmagnetmotor Die Einheit ist mit Inverterkarte zur Kontrolle des Motors ausgestattet, die eine präzise Einstellung der Drehgeschwindigkeit erlaubt (Steuersignal 0-10V).

### Luftfilter

Regenerierbarer Luftfilter aus Acrylfaser, Filtrierklasse G3, an der Luftansaugung angebracht, von unten herausziehbar.

### Luftansaugung

Lufteinlass von der Vorder- oder Unterseite der Maschine gemäß den Systemanforderungen.

### Installationsbeispiel

Die Struktur erlaubt es, eine umfangreiche Zubehörpalette an der Ansaugung und am Auslass zu installieren, bis die optimale Konfiguration der Einheit erhalten wird.

## ZUBEHÖR

<b>Elektronische Mikroprozessorsteuertafeln mit display</b>	
<b>FWEC3AP</b>	Leistungsplatine für Steuerung FWEC3
<b>FWEC3AC</b>	Anwenderschnittstelle mit Display zur FWEC3-Steuerung
<b>FWEC3A</b>	Mikroprozessorsteuerung mit FWEC3A-Display
<b>FWH3KA</b>	Feuchtigkeitsfühler für Steuerungen FWEC3A, FWEC3
<b>FWTSKA</b>	Wasserfühler für Steuerungen FWEC, FWEC3
<b>Zusätzliche Kondenswassersammelbecken, Isolationsschalen, Kondenswasserablasspumpen</b>	
<b>CDRP1A</b>	Kondenswasserablass-Kit
<b>Elektrische Widerstände</b>	
<b>EH</b>	Heizwiderstand mit Montagesatz, Relaiskasten und Sicherheitsvorrichtungen
<b>Verschiedenes Zubehör</b>	
<b>EDPD</b>	Zusätzliches Kondenswassersammelbecken
<b>EPIMSB6</b>	Leistungsschnittstelle für den Parallelanschluss von max. 4 Ventilkonvektoren mit einer einzigen Steuerung.
<b>Ventile</b>	
2-Wege-Ventile, EIN/AUS- oder modulierende-Stellantriebe, 230-V- oder 24-V-Stromversorgung, Hydraulik-Kits, für Zusatzbatterie	
2-Wege-Ventile, EIN/AUS- oder modulierende-Stellantriebe, 230-V- oder 24-V-Stromversorgung, Hydraulik-Kits, für Hauptbatterie	
3-Wege-Ventile, EIN/AUS- oder modulierende-Stellantriebe, 230-V- oder 24-V-Stromversorgung, Hydraulik-Kits, für Zusatzbatterie	
3-Wege-Ventile, EIN/AUS- oder modulierende-Stellantriebe, 230-V- oder 24-V-Stromversorgung, Hydraulik-Kits, für Hauptbatterie	
2-Wege-Ventile pressure independent, EIN/AUS- oder modulierende-Stellantriebe, 230-V- oder 24-V-Stromversorgung, Hydraulik-Kits, für Hauptbatterie und Zusatzbatterie	

## 4 ABMESSUNGEN

Auf der Abbildung s. 82-83 sind die Abmessungen und die FWP-C Positionen der Wasseranschlüsse angegeben.

## 5 EINSTELLUNG

**⚠ ACHTUNG:** Installation und Inbetriebnahme dürfen nur von ausgebildetem Personal nach den Regeln der korrekten Anlagenführung und entsprechend den geltenden Vorschriften durchgeführt werden.

**⚠ ACHTUNG:** Die kanalisierbare Einheit, den Leitungsschalter (IL) und/oder eventuelle Fernsteuerungen in einer Position installieren, die von sich in der Badewanne oder unter der Dusche aufhaltenden Personen nicht erreicht werden kann.

**👉 WARNUNG:** Es ist empfehlenswert eventuelles Zubehör am Standardgerät zu installieren, bevor dieses positioniert wird. Dabei ist Bezug auf die technischen Blätter zu nehmen. Ansaugung und Ausbläsung haben einen rechteckigen Querschnitt mit Bohrungen zum Befestigen des

verfügbaren Zubehörs.

Es besteht die Möglichkeit, die Anschlüsse des Austauschers an der gegenüberliegenden Seite auszurichten, indem wie folgt vorgegangen wird (s. 84 Die Anschlüsse des tauscher):

- die obere vordere Tafel abbauen.
- das Kondenswassersammelbecken abbauen.
- die Batterie ausbauen, indem die Befestigungsschrauben (2 pro Seite) gelöst werden.
- die Batterie um 180° drehen (um die vertikale Achse) und wieder an der Einheit befestigen.
- Becken und Verschluss wieder montieren.

### HINWEISE FÜR DIE INSTALLATION

Einige zu befolgende Regeln

- Den Austauscher bei stillstehenden Pumpen entlüften, indem auf die Entlüftungsventile neben den Anschlüssen der Batterie eingewirkt wird.
- Die Kanalisierungen, insbesondere die an der Ausbläsung, müssen mit Kondenswasserschutzmaterial isoliert werden.
- In der Nähe des Geräts ist für eine Inspektionstafel für die Wartungs- und Reinigungsarbeiten zu sorgen.
- Die Installation des Geräts muss auf der Grundlage technischer Erwägungen und der Konstruktion erfolgen, indem eine lufttechnische Bewertung durchgeführt und der von der am Vorlauf angebrachten LEITUNG gebotene GEGENDRUCK bewertet wird, um das Problem der fehlenden Geschwindigkeitsänderung zu vermeiden: die Verantwortung kann nicht dem Produkt, sondern der Installation angelastet werden;
- Installieren Sie das Gerät mit den erforderlichen Inspektionsöffnungen für die ordentliche und außerordentliche Wartung der Gebläsekonvektoren: für Arbeiten zum mechanischen, elektrischen und hydraulischen Austausch;
- Die Steuertafel an der Wand anbringen. Ein leicht zugängliche Stelle zum Einstellen der Funktionen -und falls vorgesehen- für die Temperaturmessung wählen. Den direkten Sonnenstrahlen sowie Kalt- oder Warmluftströmen ausgesetzte Bereiche vermeiden. Darauf achten, dass keine Hindernisse vorhanden sind, die die korrekte Temperaturmessung beeinträchtigen könnten.

**⚠ ACHTUNG:**

Während des normalen Betriebs kann es insbesondere bei mit Mindestgeschwindigkeit laufendem Lüfter und bei Raumluft mit hoher relativer Feuchtigkeit zur Bildung von Kondensat am Luftauslass und an einigen Außenteilen des Geräts kommen.

Zum Vermeiden dieser Erscheinung muss die Einlauf Wassertemperatur im Wärmetauscher -offensichtlich innerhalb der für das Gerät vorgesehenen Grenzwerte- begrenzt werden. Insbesondere darf die Differenz zwischen der Taupunkttemperatur der Luft ( $T_{A,DP}$ ) und der Einlauf Wassertemperatur ( $T_W$ ) gemäß folgender Gleichung NICHT 14 °C überschreiten:  $T_W > T_{A,DP} - 14 \text{ °C}$

**Beispiel:** Bei einer Raumtemperatur von 25 °C und einer relativen Luftfeuchtigkeit von 75% entspricht die Taupunkttemperatur ca. 20 °C und folglich muss die mittlere Wassertemperatur im Register höher:

- als 20-14=6 °C sein, um Kondensatbildung zu vermeiden.
- 20-12 = 8 °C wenn das Zubehör Ventilkit nicht installiert werden kann.

Fan coil mit ventil								
		Lufttemperatur Trockenkugel (°C)						
		21	23	25	27	29	31	33
Relative Feuchtigkeit %	40	5	5	5	5	5	5	5
	50	5	5	5	5	5	6	8
	60	5	5	5	5	7	9	11
	70	5	5	6	8	9	11	13
	80	5	6	8	10	12	14	16
	90	6	8	10	12	14	16	18

Fan coil ohne ventil								
		Lufttemperatur Trockenkugel (°C)						
		21	23	25	27	29	31	33
Relative Feuchtigkeit %	40	6	6	6	6	6	6	6
	50	6	6	6	6	6	8	10
	60	6	6	6	7	9	11	13
	70	6	6	8	10	11	13	15
	80	6	8	10	12	12	16	18
	90	8	10	12	14	14	18	20

Bei einem längeren Stillstand des Peripheriegeräts bei stillstehendem Lüfter und Kaltwasserzirkulation im Wärmetauscher besteht die Möglichkeit, dass sich auch auf der Außenseite des Geräts Kondensat bildet. In diesem Fall ist es empfehlenswert, das als Zubehör angebotene 3-Wege-Ventil (oder 2-Wege-Ventil) zu installieren, um den Wasserfluss im Register zu unterbrechen, wenn der Lüfter stillsteht.

Bei einem eventuellen winterlichen Stillstand ist das Wasser aus der Anlage abzulassen, um eine Beschädigung durch Eisbildung zu vermeiden. Wenn Frostschutzlösungen verwendet werden, ist der Gefrierpunkt mittels der folgenden Tabelle zu prüfen.

% Glykol in Gewicht	Temperatur Einfrieren (°C)	Variation Leistung	Variation Lastverlust
0	0	1,00	1,00
10	-4	0,97	1,05
20	-10	0,92	1,10
30	-16	0,87	1,15
40	-24	0,82	1,20

### Stromanschlüsse

Die Stromanschlüsse müssen in spannungslosem Zustand gemäß den geltenden Vorschriften ausgeführt werden.

Die Verkabelungen dürfen nur von qualifiziertem Personal ausgeführt werden.

**Für jede Einheit ist am Versorgungsnetz ein Schalter (IL) mit**

**Öffnungskontakten mit einem Abstand von mindestens 3 mm und eine geeignete Sicherung (F) zu installieren.**

Die Stromaufnahme ist auf den an der Einheit angebrachten Geräteschild angegeben.

Bei der Installation ist der sich auf die Kombination Einheit-Steuertafel beziehende Schaltplan genau zu befolgen.

FWP-C + FWEC3A (eingearbeitet motor) p.64

FWP-C + FWEC3A (trennen motor) p.65

FWP-C + FWEC3 p.66

**ANMERKUNG: Die Stromkabel (Stromversorgung und Steuerung) müssen durch den Kabelhalter an der den Wasseranschlüssen gegenüberliegenden Seite geführt werden.**

**⚠ ACHTUNG:** Das GEMEINSAME Kabel des Motors ist das WEISSE Kabel: Wenn dieses Kabel falsch angeschlossen wird, kommt es zu einer irreparablen Beschädigung des Motors.

## 5.1 MONTAGE VON EINHEITEN

### Befestigung der Einheit

Die mitgelieferten Schwingungsdämpfer in die 4 Ösen zur Befestigung an der Decke einfügen.

Die Basis-Einheit mittels 4 Ösen an der Decke oder der Wand befestigen.

- Es wird empfohlen, Gewindestäbe 8MA und für das Maschinengewicht geeignete Dübel zu verwenden und die Positionierung der Maschine mit 3 Schraubbolzen 8MA (2 am unteren Teil, 1 am oberen Teil wie auf ABBILDUNG s. 85 1 dargestellt) und mit zwei Unterlegscheiben pro Gewindestab vorzubereiten. Vor dem Festziehen der Gegenmutter ist die Hauptmutter derart festzuziehen, dass das Gerät die korrekte Neigung hat, damit das Kondenswasser regulär anlaufen kann (ABBILDUNG s.

85 Kondenswasserablass). Eine korrekte Neigung wird erhalten, indem die Ansaugung bezüglich der Ausblasung nach unten geneigt wird, bis ein Höhenunterschied von ca. 10 mm zwischen den beiden Enden erhalten wird. Die Wasseranschlüsse an der Wärmeaustauschbatterie und -im Falle des Kühlbetriebs- an den Kondenswasserablass herstellen. Einen der beiden an der Außenseite der Einheit sichtbaren Ablässe des Beckens verwenden.

- Zum Verbinden der Einheit mit der Kondenswasserablassleitung ist ein Gummischlauch zu verwenden, der am gewählten Ablassrohr (ø 3/8") mittels einer Metallschelle (den Ablass verwenden, der an der Seite der Wasseranschlüsse vorhanden ist) befestigt wird.

## 6 FUNKTIONSPRÜFUNG

- Prüfen, dass das Gerät derart installiert ist, dass die notwendige Neigung gewährleistet ist.
- Prüfen, dass der Kondenswasserablass nicht verstopft ist (durch Kalkablagerungen usw.)
- Die Dichtheit der Wasseranschlüsse kontrollieren.
- Kontrollieren, dass die Stromkabel korrekt befestigt sind (bei ausgeschalteter Stromversorgung kontrollieren).
- Kontrollieren, dass der Wärmeaustauscher entlüftet ist.
- Die Stromversorgung des Geräts einschalten und kontrollieren, dass dieses einwandfrei funktioniert.

## 7 BETRIEB

Für den Betrieb des Gebläsekonvektors ist die Gebrauchsanweisung der als Zubehör erhältlichen Steuerung zu befolgen.

**⚠ ACHTUNG:** Aus Sicherheitsgründen nicht mit den Händen in das Luftausblasgitter eingreifen oder Gegenstände hineinstecken.

**⚠ GEFAHR:** Das Gerät darf von Kindern ab einem Alter von 8 Jahren und von Personen mit eingeschränkten körperlichen, sensorischen oder

geistigen Fähigkeiten oder ohne Erfahrung oder die erforderlichen Kenntnisse benutzt werden, vorausgesetzt, sie werden dabei beaufsichtigt oder sie haben Anweisungen für den sicheren Gebrauch des Geräts erhalten und wurden über die mit demselben verbundenen Gefahren unterrichtet. Kinder dürfen nicht mit dem Gerät spielen. Die vom Benutzer durchzuführende Reinigung und Wartung darf nicht von unbeaufsichtigten Kindern durchgeführt werden.

## 8 WARTUNG

**Aus Sicherheitsgründen muss das Gerät vor der Ausführung von Wartungs- oder Reinigungsarbeiten ausgeschaltet werden, indem der Geschwindigkeitsschalter auf "Stopp" und der Hauptschalter auf 0 (OFF) gestellt werden.**

**⚠ GEFAHR!** Bei den Wartungsarbeiten ist Aufmerksamkeit geboten: Einige Metallteile können Schnittverletzungen verursachen. Schutzhandschuhe tragen.

Die kanalisierbaren Einheiten FWP-C erfordern nur wenige

Wartungseingriffe, die sich auf die regelmäßige Reinigung des Luftfilters, des Wärmeaustauschers und die Kontrolle der Funktionstüchtigkeit des Kondenswasserablasses beschränken.

**Die Wartung muss von Fachpersonal ausgeführt werden.**

Bei jedem Einschalten nach einer längeren Stillstandszeit muss der Wärmeaustauscher entlüftet werden.

Der Motor bedarf keiner Wartung, denn er ist mit selbstschmierenden Lagern ausgestattet.

### REINIGUNG DES LUFTFILTERS

Die Stromversorgung der Einheit unterbrechen, indem der Leitungsschalter auf 0 (OFF) gestellt wird.

Zur Reinigung des Filters geht man wie folgt vor:

1. Durch die Inspektionstafel des Geräts den Luftfilter wie auf s. 89 (Reinigung des Luftfilters) gezeigt herausziehen:
2. Wenn der Luftfilter sich dagegen hinter dem Sauggitter befindet, ist

dieses zu entfernen und dann sind die in der Folge beschriebenen Eingriffe auszuführen.

3. Den Filter mit lauwarmem Wasser oder bei Verschmutzung durch trockenen Staub mit einem Druckluftstrahl reinigen.

4. Den Filter trocknen lassen und wieder einsetzen.

Abmessungen Luftfilter, Abbildung: s. 84 .

### REINIGUNG DES WÄRMETAUSCHERS

Es ist empfehlenswert den Zustand des Austauschers vor jedem Sommer zu kontrollieren, um sicherzustellen, dass die Rippen nicht durch Verunreinigungen verstopft sind.

Für den Zugang zur Wärmetauschbatterie ist die Auslasstafel (mit Bündeln oder rechteckigen Flanschen) zu entfernen, wie auch das Kondenswassersammelbecken.

Die Batterie dann mit Druckluft oder niedrigem Dampfdruck reinigen, ohne die Rippen des Austauschers zu beschädigen.

Vor jedem Sommerbetriebsbeginn ist zu prüfen, dass das Kondenswasser regulär abgelassen wird.

**Eine korrekte regelmäßige Wartung trägt dazu bei, Energie und Geld zu sparen.**

## 9 STÖRUNGSSUCHE

Funktioniert das Gerät nicht richtig, führen Sie die in der nachstehenden Tabelle aufgeführten Kontrollen durch, bevor Sie den Kundendienst rufen.

Kann das Problem nicht gelöst werden, wenden Sie sich an Ihren Vertrags- händler oder das nächste Kundendienstcenter.

PROBLEM	URSACHE	LÖSUNG
Das Gerät funktioniert nicht	Es fehlt Strom	Strom wieder auferstehen
	Der Schutzschalter hat angesprochen	Kundendienst kontaktieren
	Der Startschalter steht auf 0.	Die Maschine einschalten, indem der Schalter auf ON gestellt wird
Die Einheit heizt oder kühlt wenig	Der Luftfilter ist schmutzig oder verstopft	Den Luftfilter reinigen
	In der Nähe der Luftansaugung oder -ausblasung befindet sich ein Hindernis	Das Hindernis entfernen
	Es ist Luft im Wärmeaustauscher vorhanden	Den Installateur rufen
	Die Fenster und Türen sind geöffnet	Türen und/oder Fenster schließen
Die Einheit "leckt"	Die Mindest betriebsgeschwindigkeit ist eingestellt	Die mittlere oder höchste Geschwindigkeit einstellen
	Das Gerät ist nicht mit der korrekten Neigung installiert	Den Installateur rufen
	Der Kondenswasserablass ist verstopft	Den Installateur rufen

# 10 TECHNISCHE NENNDATEN

» 2 Rohre

FWP-C			04			05			06			08		
Velindigkeit			min	med	max	min	med	max	min	med	max	min	med	max
Zertifizierte VELindigkeit			2,5,7			1,5,7			1,6,7			1,4,7		
Eingangsspannung	(E)	V	2,90	8,00	9,00	4,30	7,50	8,40	4,50	7,40	8,30	5,40	8,30	9,90
Nennluftdurchsatz	(E)	m³/h	109	246	276	171	275	341	195	360	402	305	532	652
Statische Nutzförderhöhe	(E)	Pa	10	50	63	19	50	77	19	50	63	17	50	75
Leistungsaufnahme	(E)	W	6	25	33	10	24	39	10	26	35	22	51	77
Max. Betriebsstrom		A	0,32			0,60			0,84			0,84		
Gesamtkühlleistung	(1)(E)	kW	0,93	1,76	1,95	1,29	1,95	2,34	1,59	2,74	3,04	1,98	3,26	3,79
Sensible Kühlleistung	(1)(E)	kW	0,62	1,25	1,39	0,91	1,39	1,66	1,09	1,91	2,11	1,48	2,48	2,92
Klasse FCEER	(E)		A											
Wasserdurchsatz	(2)	l/h	161	306	340	222	339	408	274	476	527	343	568	664
Druckverlust	(2)(E)	kPa	2	5	6	3	6	8	3	7	9	3	8	11
Heizleistung	(3)(E)	kW	0,88	1,81	1,99	1,33	1,98	2,35	1,59	2,80	3,10	2,35	3,71	4,31
Klasse FCCOP	(E)		A											
Wasserdurchsatz	(3)	l/h	153	315	346	231	345	408	276	488	538	408	644	749
Druckverlust	(3)(E)	kPa	1	4	5	2	5	7	2	6	8	4	9	11
Standardbatterie - Anzahl Reihen			3			3			4			3		
Globale Schallleistung	(4)	dB(A)	28	49	52	39	50	54	39	50	54	38	52	58
Abgestrahlte Schallleistung + Luftansaugung	(4)(E)	dB(A)	26	47	50	37	48	52	37	48	52	36	50	56
Schallleistung Luftauslass	(4)(E)	dB(A)	25	46	49	36	47	51	36	47	51	35	49	55
Wasserinhalt - Register STD		dm³	1,20			1,20			2,20			1,60		
Querschnitt Versorgungskabel	(5)	mm²	1,00			1,00			1,00			1,00		
Typ Versorgungskabel			N07V-K											
Sicherung F		A	1			1			1			1		
Sicherungstyp			gG											

FWP-C			10			11			15			17		
Velindigkeit			min	med	max	min	med	max	min	med	max	min	med	max
Zertifizierte VELindigkeit			1,6,7			1,6,7			5,6,7			5,6,7		
Eingangsspannung	(E)	V	3,40	7,60	8,50	3,40	7,60	8,50	6,80	7,50	8,30	6,80	7,50	8,30
Nennluftdurchsatz	(E)	m³/h	333	687	760	333	687	760	1050	1163	1289	1050	1163	1289
Statische Nutzförderhöhe	(E)	Pa	12	50	61	12	50	61	40	50	60	40	50	60
Leistungsaufnahme	(E)	W	11	54	68	11	54	68	105	128	162	105	128	162
Max. Betriebsstrom		A	0,91			0,91			3,52			3,52		
Gesamtkühlleistung	(1)(E)	kW	2,29	4,34	4,75	2,51	4,91	5,35	6,28	6,81	7,38	7,04	7,64	8,28
Sensible Kühlleistung	(1)(E)	kW	1,67	3,21	3,51	1,77	3,45	3,76	4,64	5,03	5,46	4,96	5,38	5,84
Klasse FCEER	(E)		A			A			C			B		
Wasserdurchsatz	(2)	l/h	394	753	828	432	850	930	1094	1190	1295	1225	1332	1448
Druckverlust	(2)(E)	kPa	2	7	8	3	10	12	13	16	18	20	23	26
Heizleistung	(3)(E)	kW	2,54	4,76	5,17	2,63	5,03	5,49	6,68	7,22	7,80	7,18	7,80	8,46
Klasse FCCOP	(E)		A			A			B			B		
Wasserdurchsatz	(3)	l/h	441	827	898	457	875	955	1162	1256	1356	1248	1355	1471
Druckverlust	(3)(E)	kPa	2	7	8	3	9	11	12	14	16	17	19	22
Standardbatterie - Anzahl Reihen			3			4			3			4		
Globale Schallleistung	(4)	dB(A)	38	55	58	38	55	58	61	63	69	61	63	69
Abgestrahlte Schallleistung + Luftansaugung	(4)(E)	dB(A)	36	53	56	36	53	56	59	61	67	59	61	67
Schallleistung Luftauslass	(4)(E)	dB(A)	35	52	55	35	52	55	58	60	66	58	60	66
Wasserinhalt - Register STD		dm³	2,50			3,30			2,50			3,30		
Querschnitt Versorgungskabel	(5)	mm²	1,00			1,00			1,50			1,50		
Typ Versorgungskabel			N07V-K											
Sicherung F		A	1			1			2			2		
Sicherungstyp			gG											

- (1) Wassertemperatur 7 °C/12 °C, Lufttemperatur 27 °C Trockenkugel, 19 °C Feuchtkugel (47% relative Feuchtigkeit) ausgedrückt gemäß EN1397:2015  
 (2) Wassertemperatur 7 °C/12 °C, Lufttemperatur 27 °C Trockenkugel, 19 °C Feuchtkugel (47% relative Feuchtigkeit)  
 (3) Wassertemperatur 45 °C / 40 °C, Lufttemperatur 20 °C  
 (4) Schallleistung gemessen gemäß ISO 3741 und ISO 3742  
 (5) Der angegebene Querschnitt ist als empfohlener Mindestquerschnitt anzusehen. Die Wahl der Kabel muss unter Beachtung der Norm CEI - UNEI 35024/1 erfolgen.  
 (E) EUROVENT Zertifikate  
 Spannungsversorgung Z30-1-50 (V-ph-Hz)



» 4 Rohre

FWP-C			04			05			06			08		
Velindigkeit			min	med	max	min	med	max	min	med	max	min	med	max
Zertifizierte VELindigkeit			2,5,7			1,5,7			1,6,7			1,4,7		
Eingangsspannung	(E)	V	2,90	7,90	8,90	4,50	7,30	8,90	4,50	7,40	8,30	5,40	8,30	9,90
Nennluftdurchsatz	(E)	m³/h	109	243	270	170	272	336	195	357	398	302	524	642
Statische Nutzförderhöhe	(E)	Pa	10	50	63	19	50	77	19	50	63	17	50	75
Leistungsaufnahme	(E)	W	6	25	32	10	23	39	10	26	35	21	50	77
Max. Betriebsstrom		A	0,32			0,60			0,84			0,84		
Gesamtkühlleistung	(1)(E)	kW	0,93	1,74	1,91	1,28	1,93	2,31	1,59	2,72	3,01	1,95	3,22	3,75
Sensible Kühlleistung	(1)(E)	kW	0,62	1,24	1,36	0,90	1,38	1,64	1,09	1,89	2,09	1,47	2,44	2,89
Klasse FCEER	(E)		A											
Wasserdurchsatz	(2)	l/h	161	302	333	221	335	404	274	473	522	339	562	656
Druckverlust	(2)(E)	kPa	2	5	6	3	6	8	3	7	9	3	8	11
Heizleistung	(3)(E)	kW	1,14	1,93	2,06	1,55	2,07	2,32	2,09	3,09	3,29	2,80	3,82	4,24
Klasse FCCOP	(E)		A											
Wasserdurchsatz	(3)	l/h	100	169	180	136	181	204	183	271	288	245	334	371
Druckverlust	(3)(E)	kPa	1	2	3	2	3	3	2	3	4	3	5	6
Zusätzliche batterie - Anzahl Reihen			3+1			3+1			4+1			3+1		
Globale Schalleistung	(4)	dB(A)	28	49	52	39	50	54	39	50	54	38	52	58
Abgestrahlte Schalleistung + Luftansaugung	(4)(E)	dB(A)	26	47	50	37	48	52	37	48	52	36	50	56
Schalleistung Luftauslass	(4)(E)	dB(A)	25	46	49	36	47	51	36	47	51	35	49	55
Wasserinhalt - Register Zusätzliche		dm³	0,47			0,47			0,59			0,59		
Querschnitt Versorgungskabel	(5)	mm²	1,00			1,00			1,00			1,00		
Typ Versorgungskabel			N07V-K											
Sicherung F		A	1			1			1			1		
Sicherungstyp			gG											

FWP-C			10			11			15			17		
Velindigkeit			min	med	max	min	med	max	min	med	max	min	med	max
Zertifizierte VELindigkeit			1,6,7			1,6,7			5,6,7			5,6,7		
Eingangsspannung	(E)	V	3,40	7,60	8,50	3,40	7,60	8,50	6,80	7,50	8,30	6,80	7,50	8,30
Nennluftdurchsatz	(E)	m³/h	333	683	755	333	683	755	1050	1163	1289	1050	1163	1289
Statische Nutzförderhöhe	(E)	Pa	12	50	61	12	50	61	40	50	60	40	50	60
Leistungsaufnahme	(E)	W	11	54	67	11	54	67	105	128	162	105	128	162
Max. Betriebsstrom		A	0,91			0,91			3,52			3,52		
Gesamtkühlleistung	(1)(E)	kW	2,29	4,32	4,72	2,51	4,88	5,32	6,28	6,81	7,38	7,04	7,64	8,28
Sensible Kühlleistung	(1)(E)	kW	1,67	3,19	3,48	1,77	3,43	3,74	4,64	5,03	5,46	4,96	5,38	5,84
Klasse FCEER	(E)		A			A			C			B		
Wasserdurchsatz	(2)	l/h	394	749	822	432	846	925	1094	1190	1295	1225	1332	1448
Druckverlust	(2)(E)	kPa	2	7	8	3	10	12	13	16	18	20	23	26
Heizleistung	(3)(E)	kW	3,40	5,17	5,45	3,40	5,17	5,45	6,42	6,73	7,06	6,42	6,73	7,06
Klasse FCCOP	(E)		A			A			C			C		
Wasserdurchsatz	(3)	l/h	297	452	477	297	452	477	562	589	618	562	589	618
Druckverlust	(3)(E)	kPa	6	13	14	6	13	14	19	21	22	19	21	22
Zusätzliche batterie - Anzahl Reihen			3+1			4+1			3+1			4+1		
Globale Schalleistung	(4)	dB(A)	38	55	58	38	55	58	61	63	69	61	63	69
Abgestrahlte Schalleistung + Luftansaugung	(4)(E)	dB(A)	36	53	56	36	53	56	59	61	67	59	61	67
Schalleistung Luftauslass	(4)(E)	dB(A)	35	52	55	35	52	55	58	60	66	58	60	66
Wasserinhalt - Register Zusätzliche		dm³	0,97			0,97			0,97			0,97		
Querschnitt Versorgungskabel	(5)	mm²	1,00			1,00			1,50			1,50		
Typ Versorgungskabel			N07V-K											
Sicherung F		A	1			1			2			2		
Sicherungstyp			gG											

- (1) Wassertemperatur 7 °C/12 °C, Lufttemperatur 27 °C Trockenkugel, 19 °C Feuchtkugel (47% relative Feuchtigkeit) ausgedrückt gemäß EN 1397:2015
  - (2) Wassertemperatur 7 °C/12 °C, Lufttemperatur 27 °C Trockenkugel, 19 °C Feuchtkugel (47% relative Feuchtigkeit)
  - (3) Wassertemperatur 65 °C / 55 °C, Lufttemperatur 20 °C
  - (4) Schalleistung gemessen gemäß ISO 3741 und ISO 3742
  - (5) Der angegebene Querschnitt ist als empfohlener Mindestquerschnitt anzusehen. Die Wahl der Kabel muss unter Beachtung der Norm CEI - UNEL 35024/1 erfolgen.
  - (E) EUROVENT Zertifikate
- Spannungsversorgung 230-1-50 (V-ph-Hz)

## 11 GEWICHT

FWP-C		04	05	06	08	10	11	15	17
2 Rohre	kg	24,4	25,4	33,0	36,0	45,0	45,0	51,0	51,0
4 Rohre	kg	25,8	26,8	34,6	37,6	47,5	47,5	53,5	53,5



# ÍNDICE GENERAL

---

<b>1</b>	<b>ANTES DE COMENZAR LA INSTALACIÓN</b> .....	p. 44
<b>2</b>	<b>USO PREVISTO</b> .....	p. 44
	LUGAR DE INSTALACIÓN .....	p. 44
<b>3</b>	<b>DESCRIPCIÓN DEL APARATO</b> .....	p. 44
3.1	MODULACIÓN Y EFICIENCIA PARA MONTARSE EMPOTRADA EN EL TECHO .....	p. 44
3.2	PRINCIPALES COMPONENTES.....	p. 45
	ACCESORIOS.....	p. 45
<b>4</b>	<b>DIMENSIONES</b> .....	p. 46
<b>5</b>	<b>INSTALACIÓN</b> .....	p. 46
	ADVERTENCIAS PARA LA INSTALACIÓN .....	p. 46
5.1	MONTAJE DE LA UNIDAD .....	p. 47
<b>6</b>	<b>CONTROL DE FUNCIONAMIENTO</b> .....	p. 47
<b>7</b>	<b>USO</b> .....	p. 48
<b>8</b>	<b>MANTENIMIENTO</b> .....	p. 48
	LIMPIEZA DEL FILTRO DE AIRE.....	p. 48
	LIMPIEZA DE LA BATERÍA DE INTERCAMBIO TÉRMICO.....	p. 48
<b>9</b>	<b>LOCALIZACIÓN DE AVERÍAS</b> .....	p. 49
<b>10</b>	<b>DATOS TÉCNICOS NOMINALES</b> .....	p. 50
<b>11</b>	<b>PESOS</b> .....	p. 51
<b>12</b>	<b>FIGURAS</b> .....	p. 82

## LÍMITES DE FUNCIONAMIENTO

Fluido térmico: **agua**

Temperatura agua: **5 °C ÷ 90 °C**

Temperatura aire: **-20 °C ÷ 40 °C**

Tensión de entrada: **230 V**

Presión máxima de servicio: **16 bares**

Límite de humedad relativa del aire ambiente: **RH<85% sin condensación**

# 1 ANTES DE COMENZAR LA INSTALACIÓN

Leer cuidadosamente este manual.

La instalación y el mantenimiento del aparato deben ser efectuados única y exclusivamente por personal técnico cualificado para este tipo de máquina y en conformidad con las normativas vigentes.

Al recibir el aparato habrá que controlar su estado, comprobando que

no haya sufrido daños durante el transporte.

Para la instalación y el uso de cualquier accesorio, consulte las fichas técnicas correspondientes.

Identifique el modelo de ventilconvector FWP-C por medio de las indicaciones previstas en el embalaje.

## SÍMBOLOS DE SEGURIDAD



Leer cuidadosamente el manual



Atención



Utilizar equipos de protección individual

## UTILIZAR EPI ADECUADOS (GUANTES PARA REFRIGERANTE, GAFAS DE PROTECCIÓN)

normativa aplicable. Las unidades deben ser tratadas en una instalación especializada para su reutilización, reciclaje y recuperación. Al asegurarse de que este producto es desechado correctamente, contribuirá a evitar potenciales consecuencias negativas para el medio ambiente y para la salud humana. Para obtener más información, comuníquese con su instalador o con las autoridades locales.

**⚠ ATENCIÓN:** la unidad no tiene componentes peligrosos de acuerdo con la clasificación del Reglamento 1357/2014.



**⚠ ATENCIÓN:** Los productos eléctricos y electrónicos no pueden mezclarse con los residuos domésticos no clasificados. NO intente desmontar el sistema usted mismo: El desmontaje del sistema, así como el tratamiento del aceite y de las demás partes, deben ser efectuados por un instalador autorizado, y deben ajustarse a la

# 2 USO PREVISTO

Daikin no se hará responsable en aquellos casos en que la instalación del aparato haya sido realizada por personal no cualificado, el aparato haya sido utilizado inapropiadamente o en condiciones no permitidas, no se haya efectuado el mantenimiento previsto en este manual o no se

hayan utilizado repuestos originales.

Aparatos diseñados para la climatización del aire ambiental y destinados a ser utilizados en aplicaciones de confort civil.

## LUGAR DE INSTALACIÓN

Al elegir el lugar de instalación, hay que considerar los siguientes aspectos:

- el aparato de climatización no debe ubicarse justo debajo de una toma de corriente
- no instale la unidad en ambientes con presencia de gases o polvos inflamables
- no exponga la unidad a chorros de agua; no instalar en una sala de

lavandería

- instale el ventilconvector en paredes o techos que sostengan su peso, manteniendo alrededor un espacio suficiente como para garantizar el buen funcionamiento y las operaciones de mantenimiento
- mantenga la unidad en su embalaje hasta el momento de efectuar la instalación para evitar filtraciones de polvo en su interior

# 3 DESCRIPCIÓN DEL APARATO

## MODULACIÓN Y EFICIENCIA PARA MONTARSE EMPOTRADA EN EL TECHO

FWP-C representa el elemento que completa la gama que utiliza la tecnología EC inverter en los motores eléctricos. A las características de FWP-C se suman los beneficios de la tecnología brushless en términos de reducción del consumo eléctrico con la consecuente reducción de las emisiones de CO<sub>2</sub>, mayor flexibilidad de funcionamiento gracias a la modulación del caudal de aire y mayor confort termohigrométrico y acústico.

La gama está compuesta por 12 modelos que abarcan un rango de caudal del aire desde 300 hasta 1200 m<sup>3</sup>/h.

La modulación continua del caudal de aire y el empleo de intercambiadores de calor de alta eficiencia permite trabajar inclusive con diferencias de temperatura del aire-agua bajas.

Además los intercambiadores de calor pueden optimizarse en la conexión en circuitos para aplicaciones centralizadas tales como district cooling.

## PRINCIPALES COMPONENTES

### Estructura

Realizada en chapa de acero galvanizado, con aislamiento térmico y acústico mediante tableros con clase 1 de reacción al fuego (auto-extinción). Altura reducida para facilitar su montaje en posición horizontal, en el falso techo. La estructura contiene el depósito de recogida y vaciado del líquido de condensación.

El depósito principal que recoge el líquido de condensación se encuentra dentro de la estructura de la unidad y es de presión positiva con respecto a la carga para facilitar el drenaje de la condensación.

### Batería de intercambio térmico

Con 3 o 4 filas de tubos, de alta eficiencia, en tubo de cobre y aletas de aluminio fijadas a los tubos mediante expansión mecánica. Está provista de colectores de latón y válvula de purga del aire. La batería, normalmente suministrada con las conexiones a la izquierda, puede girarse en 180°. A pedido están disponibles baterías de alta eficiencia optimizadas para las aplicaciones district cooling.

### Ventiladores

Ventiladores centrífugos de doble aspiración realizados en ABS o aluminio, álabes hacia adelante, balanceados estática y dinámicamente,

acoplados directamente al motor eléctrico.

### Motor EC

Motor de imanes permanentes. La unidad lleva una tarjeta inverter para el control de motor, la cual permite el ajuste preciso de la velocidad de rotación (señal de control 0-10V).

### Filtro de aire

Filtro del aire regenerable, de fibra acrílica, filtración clase G3, situado en la aspiración de aire, en cajón extraíble desde abajo.

### Aspiración aire

Entrada de aire por la parte delantera o inferior de la máquina, según los requisitos del sistema.

### Ejemplo de instalación

Ver figura: Ejemplo de instalación p. 83

Su estructura permite combinar una amplia gama de accesorios en la toma y el envío para así obtener la configuración ideal de la unidad.

## ACCESORIOS

<b>Paneles de control electrónicos con microprocesador con pantalla</b>	
<b>FWEC3AP</b>	Tarjeta de potencia para control FWEC3
<b>FWEC3AC</b>	Interfaz del usuario con pantalla para control FWEC3
<b>FWEC3A</b>	Control electrónico con microprocesador con pantalla FWEC3A
<b>FWH3KA</b>	Sonda de humedad para controles FWEC (2-3), FWEC3
<b>FWT3KA</b>	Sonda de agua para controles FWEC3, FWEC
<b>Bandejas auxiliares para recoger el líquido de condensación, cubiertas aislantes, bomba de vaciado de la condensación</b>	
<b>CDRP1A</b>	Kit para la bomba de vaciado del líquido de condensación
<b>Resistencias eléctricas</b>	
<b>EH</b>	Resistencia eléctrica con kit de montaje, caja de relés y dispositivos de seguridad
<b>Varios accesorios</b>	
<b>EPMSB6</b>	Interfaz de potencia para la conexión en paralelo de hasta 4 ventiladores con un solo control
<b>EDPD</b>	Bandeja auxiliar para recoger el líquido de condensación
<b>Válvulas</b>	
Válvula de 2 vías, actuador ON/OFF o MODULANTE, alimentación eléctrica 230V o 24 Volt, kit hidráulico para batería adicional	
Válvula de 2 vías, actuador ON/OFF o MODULANTE, alimentación eléctrica 230V o 24 Volt, kit hidráulico para batería principal	
Válvula de 3 vías, actuador ON/OFF o MODULANTE, alimentación eléctrica 230V o 24 Volt, kit hidráulico para batería adicional	
Válvula de 3 vías, actuador ON/OFF o MODULANTE, alimentación eléctrica 230V o 24 Volt, kit hidráulico para batería principal	
Válvula de 2 vías pressure independent, actuador ON/OFF o MODULANTE, alimentación eléctrica 230V o 24 Volt, kit hidráulico para batería principal y adicional	

## 4 DIMENSIONES

En la figuras p. 82-83 se indican las dimensiones de FWP-C y la posición de las conexiones hidráulicas.

## 5 INSTALACIÓN

**⚠ ATENCIÓN:** La instalación y el mantenimiento del aparato deben ser efectuados única y exclusivamente por personal técnico cualificado para este tipo de máquina y en conformidad con las normativas vigentes.

**⚠ ATENCIÓN:** Instale la unidad canalizable, el interruptor de línea (IL) y/o los mandos a distancia en una posición que no quede accesible a personas que se encuentren en la bañera o la ducha.

**🔧 ADVERTENCIA:** Se recomienda instalar los accesorios en el aparato estándar antes de proceder a colocar el mismo en su posición, consultando las fichas técnicas. La aspiración y la impulsión son de sección rectangular, con perforaciones previstas para la fijación de

los accesorios disponibles.

Es posible orientar las conexiones del intercambiador hacia el lado opuesto procediendo de la siguiente manera (p. 84 Conexiones del intercambiador):

- desmonte el panel delantero superior.
- desmonte la cubeta recolectora de condensado.
- desmonte la batería aflojando los tornillos de fijación (2 en cada lado).
- gire la batería 180° (en el eje vertical) y vuelva a fijarla en la unidad.
- vuelva a montar la cubeta y cierre.

### ADVERTENCIAS PARA LA INSTALACIÓN

Algunas reglas que se deben seguir

- Descargue el aire del intercambiador, con las bombas paradas, utilizando las válvulas de purga ubicadas junto a las conexiones de la batería misma.
- Las canalizaciones, especialmente la de impulsión, deberán aislarse con material anticorrosión.
- Prevea cerca del aparato un panel de inspección para realizar las operaciones de mantenimiento y limpieza.
- La unidad deberá instalarse respetando las consideraciones técnicas y de diseño, y realizando una evaluación aerúlica y de la CONTRAPRESIÓN ofrecida por la CANALIZACIÓN aplicada a la impulsión, para evitar el problema de ausencia de cambio de velocidad: responsabilidad que no puede atribuirse al producto, sino a la instalación;
- Instalar la unidad con las trampillas de inspección necesarias para el mantenimiento ordinario y extraordinario de los fancoils: para intervenciones de sustitución mecánica, eléctrica e hidráulica;
- Instale el panel de mando en la pared; elija una posición fácilmente accesible para la configuración de las funciones y, si está previsto, eficaz para la medición de la temperatura. Evite posiciones que estén directamente expuestas a la radiación solar o que estén sujetas a corrientes de aire caliente o frío, y preste atención a no colocar obstáculos que impidan la medición correcta de la temperatura.

**⚠ ADVERTENCIA:**

Durante su funcionamiento normal, en especial con un ventilador a la velocidad mínima y el aire del ambiente con humedad relativa elevada, puede que se forme condensación en el envío de aire y en algunas zonas de la estructura del aparato.

Para evitar esto, siempre permaneciendo dentro de los límites de trabajo previstos para el aparato, es necesario limitar la temperatura en entrada del agua dentro del intercambiador. En particular, la diferencia entre la temperatura de rocío del aire ( $T_{A,DP}$ ) y la temperatura en entrada del agua ( $T_W$ ) NO debe ser superior a 14 °C, según la siguiente relación:  $T_W > T_{A,DP} - 14 \text{ °C}$

**Ejemplo:** en el caso de aire ambiental a 25°C con 75% de humedad relativa, el valor de la temperatura de rocío equivale a unos 20 °C, por lo tanto, la temperatura del agua de entrada en la batería deberá ser superior a:

- 20-14 = 6 °C para evitar que se forme condensación en el fancoil provisto de válvula.
- 20-12 = 8 °C si el accesorio del kit de válvula no se puede instalar.

		Ventiloconvector con válvula						
		Temperatura aire bulbo seco (°C)						
		21	23	25	27	29	31	33
Humedad relativa %	40	5	5	5	5	5	5	5
	50	5	5	5	5	5	6	8
	60	5	5	5	5	7	9	11
	70	5	5	6	8	9	11	13
	80	5	6	8	10	12	14	16
	90	6	8	10	12	14	16	18

		Ventiloconvector sin válvula						
		Temperatura aire bulbo seco (°C)						
		21	23	25	27	29	31	33
Humedad relativa %	40	6	6	6	6	6	6	6
	50	6	6	6	6	6	8	10
	60	6	6	6	7	9	11	13
	70	6	6	8	10	11	13	15
	80	6	8	10	12	12	16	18
	90	8	10	12	14	14	18	20

Si el terminal permanece en parada por largo tiempo, con el ventilador detenido y circulación de agua fría en el intercambiador, es posible que se forme condensación también en la parte exterior del aparato. En este caso es recomendable montar como accesorio una válvula de 3 vías (o 2 vías), de manera que el flujo de agua en la batería se interrumpa cuando el ventilador está parado.

En caso de paradas invernales, vacíe el agua presente en el sistema para evitar daños causados por la formación de hielo; si se utilizan soluciones anticongelantes, verifique el punto de congelación utilizando la siguiente tabla.

% glicol en peso	Temperatura congelación (°C)	Variación potencia suministrada	Variación pérdida de carga
0	0	1,00	1,00
10	-4	0,97	1,05
20	-10	0,92	1,10
30	-16	0,87	1,15
40	-24	0,82	1,20

### Conexiones eléctricas

Efectuar las conexiones eléctricas sin tensión, en conformidad con las

normativas de seguridad vigentes.

El cableado debe ser efectuado exclusivamente por personal cualificado.

**Para cada unidad termoventiladora, se tendrá que prever en la red de alimentación un interruptor (IL), con contactos de apertura y distancia mínima de 3 mm y un fusible (F) de protección adecuado.**

Las absorciones eléctricas se indican en la etiqueta de datos aplicada en la unidad.

Durante la instalación, respete estrictamente el esquema eléctrico asociado a la combinación unidad-panel de mando.

FWP-C + FWEC3A (motor incorporado) p. 86

FWP-C + FWEC3A (motor separado) p. 87

FWP-C + FWEC3 p. 88

**NOTA: Los cables eléctricos (alimentación y mando) deben llevarse hasta la caja de bornes a través del sujetacables que se encuentra en el lado opuesto al de las conexiones hidráulicas.**

**⚠ ATENCIÓN:** El cable COMÚN del motor es el de color BLANCO: su conexión incorrecta provoca daños irreparables al motor.

## 5.1 MONTAJE DE LA UNIDAD

### Fijación de la unidad

Introduzca los antivibratorios provistos en los 4 agujeros previstos para la fijación al techo.

Fije la unidad básica al techo o a la pared utilizando los 4 agujeros previstos.

- Se recomienda utilizar barras roscadas 8MA y tornillos de expansión adecuados para el peso de la máquina, preparando la colocación de la máquina utilizando 3 pernos 8MA (2 en la parte inferior y 1 en la parte superior, como se indica en la figura p. 85) y dos arandelas por cada barra. Antes de apretar la contratuerca, regule el cierre de la tuerca principal de modo que el aparato tenga la pendiente correcta para facilitar la descarga del condensado (figura

p. 85 Descarga condensados). La pendiente correcta se obtiene inclinándolo hacia abajo la aspiración con respecto a la impulsión hasta obtener un desnivel de aproximadamente 10 mm entre ambos extremos. Efectúe las conexiones hidráulicas a la batería de intercambio térmico y, en caso de funcionamiento en fase de enfriamiento, a la descarga de condensado. Utilice una de las dos descargas de la cubeta que se observan en los costados exteriores de la unidad.

- Para conectar la unidad a la línea de descarga de condensado, utilice un tubo flexible de goma y fíjelo en el tubo de descarga seleccionado ( $\varnothing$  3/8") con una abrazadera de metal (utilice la descarga que se encuentra en el lado de las conexiones hidráulicas).

## 6 CONTROL DE FUNCIONAMIENTO

- Verifique que la instalación del aparato garantice la inclinación requerida.
- Compruebe que no haya obstrucciones (depósitos calcáreos, etc.) en la descarga de condensado.
- Controle la hermeticidad de las conexiones hidráulicas.
- Verifique que los cableados eléctricos estén bien ajustados (realice el control con la tensión desconectada).
- Compruebe que se haya eliminado el aire del intercambiador de calor.
- Provea tensión al equipo y compruebe su funcionamiento.

## 7 USO

Para el uso del ventilador, consulte las instrucciones provistas en el panel de control disponible como accesorio.

**⚠ ATENCIÓN:** Por motivos de seguridad, no introduzca las manos ni otros objetos en la rejilla de salida del aire.

**⚠ PELIGRO:** El equipo puede ser utilizado por niños de 8 años en adelante y por personas con capacidades físicas, sensoriales o mentales

reducidas, o bien con falta de experiencia o conocimiento, si se les garantiza una supervisión adecuada o si han recibido instrucciones sobre el uso seguro del equipo y han comprendido los peligros que conlleva. Los niños no deben jugar con el equipo. Las operaciones de limpieza y mantenimiento a cargo del usuario no deben ser realizadas por niños sin supervisión.

## 8 MANTENIMIENTO

**Por motivos de seguridad, antes de realizar cualquier operación de mantenimiento o limpieza, apague el aparato colocando el conmutador de velocidad en "Parada" y el interruptor de línea en 0 (OFF).**

**⚠ PELIGRO:** Preste atención durante las operaciones de mantenimiento: algunas partes metálicas pueden causar heridas; deben utilizarse guantes de protección.

Las unidades canalizables FWP-C requieren operaciones de mantenimiento limitadas a la limpieza periódica del filtro de aire y el

intercambiador de calor, y al control de eficiencia de la descarga de condensado.

**El mantenimiento solo puede ser efectuado por personal especializado.**

Durante cada puesta en marcha después de una pausa prolongada, compruebe que no haya aire en el intercambiador de calor.

El motor no necesita mantenimiento, ya que está provisto de cojinetes autolubrificantes.

### LIMPIEZA DEL FILTRO DE AIRE

Desconecte la tensión de la unidad colocando el interruptor de línea en 0 (OFF).

Para limpiar el filtro de aire, proceda de la siguiente manera:

1. Acceda al aparato mediante el panel de inspección y extraiga el filtro de aire como se indica en la figura p. 89 Limpieza del filtro de aire):
2. En cambio, si el filtro se encuentra dentro de la rejilla de aspiración,

retire la misma y proceda realizando las operaciones descritas a continuación.

3. Limpie el filtro con agua tibia o, en caso de polvos secos, con aire comprimido.
4. Vuelva a introducir el filtro tras haberlo dejado secar. Dimensiones filtro de aire, ver figura: p. 84.

### LIMPIEZA DE LA BATERÍA DE INTERCAMBIO TÉRMICO

Se recomienda controlar el estado del intercambiador antes de cada temporada veraniega, comprobando que no haya impurezas que obstruyan las aletas.

Para acceder a la batería de intercambio térmico, hay que desmontar el panel de impulsión (fijado con abrazaderas o con brida rectangular) y la cubeta recolectora de condensado.

Una vez alcanzada la batería, límpiela con aire comprimido o con vapor a baja presión, prestando atención a no dañar las aletas del intercambiador.

Antes de comenzar el funcionamiento cada verano, compruebe que el condensado se descargue regularmente.

**Un mantenimiento adecuado y periódico se traduce en ahorro energético y económico.**



## 9 LOCALIZACIÓN DE AVERÍAS

Si el aparato no funciona correctamente, antes de solicitar la intervención del servicio de asistencia se deben efectuar los controles indicados en la siguiente tabla.

Si no se logra resolver el problema, diríjase al revendedor o al centro de asistencia más cercano.

PROBLEMA	CAUSA	SOLUCIÓN
La unidad no funciona	Falta corriente	Conecte nuevamente la corriente
	Se ha disparado el cortacircuitos	Solicite la intervención del servicio de asistencia
	El interruptor de arranque está en la posición 0.	Ponga en marcha la máquina colocando el interruptor en ON
La unidad caliente o enfría poco	El filtro de aire está sucio u obstruido	Limpie el filtro de aire
	Hay un obstáculo cerca de la aspiración o de la salida del aire	Elimine el obstáculo
	Hay aire en el interior del intercambiador de calor	Solicite la intervención del instalador
	Las ventanas y las puertas están abiertas	Cierre las puertas y/o las ventanas
	Está seleccionada la velocidad mínima de funcionamiento	Seleccione la velocidad media o máxima
La unidad "pierde" agua	El aparato no está instalado con la inclinación correcta	Solicite la intervención del instalador
	La descarga de condensado está obstruida	Solicite la intervención del instalador

# 10 DATOS TÉCNICOS NOMINALES

» 2 Tubos

FWP-C			04			05			06			08		
Velocidad			min	med	max	min	med	max	min	med	max	min	med	max
Velocidades certificadas			2,5,7			1,5,7			1,6,7			1,4,7		
Tensión de entrada	(E)	V	2,90	8,00	9,00	4,30	7,50	8,40	4,50	7,40	8,30	5,40	8,30	9,90
Caudal de aire nominal	(E)	m³/h	109	246	276	171	275	341	195	360	402	305	532	652
Presión estática útil	(E)	Pa	10	50	63	19	50	77	19	50	63	17	50	75
Potencia absorbida	(E)	W	6	25	33	10	24	39	10	26	35	22	51	77
Intensidad máxima absorbida		A	0,32			0,60			0,84			0,84		
Rendimiento total enfriamiento	(1)(E)	kW	0,93	1,76	1,95	1,29	1,95	2,34	1,59	2,74	3,04	1,98	3,26	3,79
Rendimiento enfriamiento sensible	(1)(E)	kW	0,62	1,25	1,39	0,91	1,39	1,66	1,09	1,91	2,11	1,48	2,48	2,92
Clase FCEER	(E)		A											
Caudal de agua	(2)	l/h	161	306	340	222	339	408	274	476	527	343	568	664
Perdida de presión	(2)(E)	kPa	2	5	6	3	6	8	3	7	9	3	8	11
Rendimiento calentamiento	(3)(E)	kW	0,88	1,81	1,99	1,33	1,98	2,35	1,59	2,80	3,10	2,35	3,71	4,31
Clase FCCOP	(E)		A											
Caudal de agua	(3)	l/h	153	315	346	231	345	408	276	488	538	408	644	749
Perdida de presión	(3)(E)	kPa	1	4	5	2	5	7	2	6	8	4	9	11
Batería estándar - número de filas			3			3			4			3		
Potencia sonora total	(4)	dB(A)	28	49	52	39	50	54	39	50	54	38	52	58
Potencia sonora irradiada + aspiración de aire	(4)(E)	dB(A)	26	47	50	37	48	52	37	48	52	36	50	56
Potencia sonora impulsión de aire	(4)(E)	dB(A)	25	46	49	36	47	51	36	47	51	35	49	55
Contenido de agua - batería STD		dm³	1,20			1,20			2,20			1,60		
Sección cables alimentación	(5)	mm²	1,00			1,00			1,00			1,00		
Tipo cable alimentación			N07V-K											
Fusible de protección F		A	1			1			1			1		
Tipo fusibles			gG											

FWP-C			10			11			15			17		
Velocidad			min	med	max	min	med	max	min	med	max	min	med	max
Velocidades certificadas			1,6,7			1,6,7			5,6,7			5,6,7		
Tensión de entrada	(E)	V	3,40	7,60	8,50	3,40	7,60	8,50	6,80	7,50	8,30	6,80	7,50	8,30
Caudal de aire nominal	(E)	m³/h	333	687	760	333	687	760	1050	1163	1289	1050	1163	1289
Presión estática útil	(E)	Pa	12	50	61	12	50	61	40	50	60	40	50	60
Potencia absorbida	(E)	W	11	54	68	11	54	68	105	128	162	105	128	162
Intensidad máxima absorbida		A	0,91			0,91			3,52			3,52		
Rendimiento total enfriamiento	(1)(E)	kW	2,29	4,34	4,75	2,51	4,91	5,35	6,28	6,81	7,38	7,04	7,64	8,28
Rendimiento enfriamiento sensible	(1)(E)	kW	1,67	3,21	3,51	1,77	3,45	3,76	4,64	5,03	5,46	4,96	5,38	5,84
Clase FCEER	(E)		A			A			C			B		
Caudal de agua	(2)	l/h	394	753	828	432	850	930	1094	1190	1295	1225	1332	1448
Perdida de presión	(2)(E)	kPa	2	7	8	3	10	12	13	16	18	20	23	26
Rendimiento calentamiento	(3)(E)	kW	2,54	4,76	5,17	2,63	5,03	5,49	6,68	7,22	7,80	7,18	7,80	8,46
Clase FCCOP	(E)		A			A			B			B		
Caudal de agua	(3)	l/h	441	827	898	457	875	955	1162	1256	1356	1248	1355	1471
Perdida de presión	(3)(E)	kPa	2	7	8	3	9	11	12	14	16	17	19	22
Batería estándar - número de filas			3			4			3			4		
Potencia sonora total	(4)	dB(A)	38	55	58	38	55	58	61	63	69	61	63	69
Potencia sonora irradiada + aspiración de aire	(4)(E)	dB(A)	36	53	56	36	53	56	59	61	67	59	61	67
Potencia sonora impulsión de aire	(4)(E)	dB(A)	35	52	55	35	52	55	58	60	66	58	60	66
Contenido de agua - batería STD		dm³	2,50			3,30			2,50			3,30		
Sección cables alimentación	(5)	mm²	1,00			1,00			1,50			1,50		
Tipo cable alimentación			N07V-K											
Fusible de protección F		A	1			1			2			2		
Tipo fusibles			gG											

(1) Temperatura agua 7°C / 12°C, temperatura aire 27°C bulbo seco / 19°C bulbo húmedo (47% humedad relativa) en conformidad con la norma EN1397:2015

(2) Temperatura agua 7°C / 12°C, temperatura aire 27°C bulbo seco / 19°C bulbo húmedo (47% humedad relativa)

(3) Temperatura agua 45°C / 40°C, temperatura aire 20°C

(4) Potencia sonora medida según ISO 3741 e ISO 3742

(5) La sección indicada ha de considerarse la sección mínima recomendada. La elección de los cables debe realizarse en conformidad con la norma CEI - UNEL 35024/1.

(E) Datos certificados EUROVENT

Alimentación eléctrica 230-1-50 (V-ph-Hz)

» 4 Tubos

FWP-C			04			05			06			08		
Velocidad			min	med	max	min	med	max	min	med	max	min	med	max
Velocidades certificadas			2,5,7			1,5,7			1,6,7			1,4,7		
Tensión de entrada	(E)	V	2,90	7,90	8,90	4,50	7,30	8,90	4,50	7,40	8,30	5,40	8,30	9,90
Caudal de aire nominal	(E)	m <sup>3</sup> /h	109	243	270	170	272	336	195	357	398	302	524	642
Presión estática útil	(E)	Pa	10	50	63	19	50	77	19	50	63	17	50	75
Potencia absorbida	(E)	W	6	25	32	10	23	39	10	26	35	21	50	77
Intensidad máxima absorbida		A	0,32			0,60			0,84			0,84		
Rendimiento total enfriamiento	(1)(E)	kW	0,93	1,74	1,91	1,28	1,93	2,31	1,59	2,72	3,01	1,95	3,22	3,75
Rendimiento enfriamiento sensible	(1)(E)	kW	0,62	1,24	1,36	0,90	1,38	1,64	1,09	1,89	2,09	1,47	2,44	2,89
Clase FCEER	(E)		A											
Caudal de agua	(2)	l/h	161	302	333	221	335	404	274	473	522	339	562	656
Perdida de presión	(2)(E)	kPa	2	5	6	3	6	8	3	7	9	3	8	11
Rendimiento calentamiento	(3)(E)	kW	1,14	1,93	2,06	1,55	2,07	2,32	2,09	3,09	3,29	2,80	3,82	4,24
Clase FCCOP	(E)		A											
Caudal de agua	(3)	l/h	100	169	180	136	181	204	183	271	288	245	334	371
Perdida de presión	(3)(E)	kPa	1	2	3	2	3	3	2	3	4	3	5	6
Batería adicional - número de filas			3+1			3+1			4+1			3+1		
Potencia sonora total	(4)	dB(A)	28	49	52	39	50	54	39	50	54	38	52	58
Potencia sonora irradiada + aspiración de aire	(4)(E)	dB(A)	26	47	50	37	48	52	37	48	52	36	50	56
Potencia sonora impulsión de aire	(4)(E)	dB(A)	25	46	49	36	47	51	36	47	51	35	49	55
Contenido de agua - batería adicional		dm <sup>3</sup>	0,47			0,47			0,59			0,59		
Sección cables alimentación	(5)	mm <sup>2</sup>	1,00			1,00			1,00			1,00		
Tipo cable alimentación			N07V-K											
Fusible de protección F		A	1			1			1			1		
Tipo fusibles			gG											

FWP-C			10			11			15			17		
Velocidad			min	med	max	min	med	max	min	med	max	min	med	max
Velocidades certificadas			1,6,7			1,6,7			5,6,7			5,6,7		
Tensión de entrada	(E)	V	3,40	7,60	8,50	3,40	7,60	8,50	6,80	7,50	8,30	6,80	7,50	8,30
Caudal de aire nominal	(E)	m <sup>3</sup> /h	333	683	755	333	683	755	1050	1163	1289	1050	1163	1289
Presión estática útil	(E)	Pa	12	50	61	12	50	61	40	50	60	40	50	60
Potencia absorbida	(E)	W	11	54	67	11	54	67	105	128	162	105	128	162
Intensidad máxima absorbida		A	0,91			0,91			3,52			3,52		
Rendimiento total enfriamiento	(1)(E)	kW	2,29	4,32	4,72	2,51	4,88	5,32	6,28	6,81	7,38	7,04	7,64	8,28
Rendimiento enfriamiento sensible	(1)(E)	kW	1,67	3,19	3,48	1,77	3,43	3,74	4,64	5,03	5,46	4,96	5,38	5,84
Clase FCEER	(E)		A			A			C			B		
Caudal de agua	(2)	l/h	394	749	822	432	846	925	1094	1190	1295	1225	1332	1448
Perdida de presión	(2)(E)	kPa	2	7	8	3	10	12	13	16	18	20	23	26
Rendimiento calentamiento	(3)(E)	kW	3,40	5,17	5,45	3,40	5,17	5,45	6,42	6,73	7,06	6,42	6,73	7,06
Clase FCCOP	(E)		A			A			C			C		
Caudal de agua	(3)	l/h	297	452	477	297	452	477	562	589	618	562	589	618
Perdida de presión	(3)(E)	kPa	6	13	14	6	13	14	19	21	22	19	21	22
Batería adicional - número de filas			3+1			4+1			3+1			4+1		
Potencia sonora total	(4)	dB(A)	38	55	58	38	55	58	61	63	69	61	63	69
Potencia sonora irradiada + aspiración de aire	(4)(E)	dB(A)	36	53	56	36	53	56	59	61	67	59	61	67
Potencia sonora impulsión de aire	(4)(E)	dB(A)	35	52	55	35	52	55	58	60	66	58	60	66
Contenido de agua - batería adicional		dm <sup>3</sup>	0,97			0,97			0,97			0,97		
Sección cables alimentación	(5)	mm <sup>2</sup>	1,00			1,00			1,50			1,50		
Tipo cable alimentación			N07V-K											
Fusible de protección F		A	1			1			2			2		
Tipo fusibles			gG											

- (1) Temperatura agua 7°C / 12°C, temperatura aire 27°C bulbo seco / 19°C bulbo húmedo (47% humedad relativa) en conformidad con la norma EN1397:2015  
 (2) Temperatura agua 7°C / 12°C, temperatura aire 27°C bulbo seco / 19°C bulbo húmedo (47% humedad relativa)  
 (3) Temperatura agua 65°C / 55°C, temperatura aire 20°C  
 (4) Potencia sonora medida según ISO 3741 e ISO 3742  
 (5) La sección indicada ha de considerarse la sección mínima recomendada. La elección de los cables debe realizarse en conformidad con la norma CEI - UNEL 35024/1.  
 (E) Datos certificados EUROVENT  
 Alimentación eléctrica 230-1-50 (V-ph-Hz)

# 11 PESOS

FWP-C		04	05	06	08	10	11	15	17
2 tubos	kg	24,4	25,4	33,0	36,0	45,0	45,0	51,0	51,0
4 tubos	kg	25,8	26,8	34,6	37,6	47,5	47,5	53,5	53,5



# OBECNÝ REJSTŘÍK

---

<b>1</b>	<b>PŘED ZAHÁJENÍM INSTALACE</b> .....	p. 54
<b>2</b>	<b>ZAMÝŠLENÉ POUŽITÍ</b> .....	p. 54
	MÍSTO INSTALACE .....	p. 54
<b>3</b>	<b>POPIS ZAŘÍZENÍ</b> .....	p. 54
3.1	MODULACE A ÚČINNOST STROPNÍ INSTALACE. . .	p. 54
3.2	HLAVNÍ SOUČÁSTI .....	p. 55
	PŘÍSLUŠENSTVÍ .....	p. 55
<b>4</b>	<b>ROZMĚROVÉ ÚDAJE</b> .....	p. 56
<b>5</b>	<b>INSTALACE</b> .....	p. 56
	POKYNY K INSTALACI .....	p. 56
5.1	MONTÁŽ JEDNOTKY .....	p. 57
<b>6</b>	<b>FUNKČNÍ KONTROLA</b> .....	p. 57
<b>7</b>	<b>POUŽITÍ</b> .....	p. 58
<b>8</b>	<b>ÚDRŽBA</b> .....	p. 58
	ČIŠTĚNÍ VZDUCHOVÉHO FILTRU .....	p. 58
	ČIŠTĚNÍ VÝMĚNÍKU TEPLA .....	p. 58
<b>9</b>	<b>ŘEŠENÍ PROBLÉMŮ</b> .....	p. 59
<b>10</b>	<b>JMENOVITÉ TECHNICKÉ ÚDAJE</b> .....	p. 60
<b>11</b>	<b>HMOTNOSTI</b> .....	p. 61
<b>12</b>	<b>OBRÁZKY</b> .....	p. 82

## PROVOZNÍ LIMITY

Kapalina pro přenos tepla: **voda**

Teplota vody: **5 °C ÷ 95 °C**

Teplota vzduchu: **-20 °C ÷ 40 °C**

Napájecí napětí: **230 V +/-10 %**

Maximální provozní tlak: **16 bar**

Mezní relativní vlhkost okolního vzduchu: **RH<85%**  
**nekondenzující**

# 1 PŘED ZAHÁJENÍM INSTALACE

Pečlivě si přečtěte tuto příručku.

Instalaci a údržbu zařízení smí provádět pouze technický personál kvalifikovaný pro tento typ strojů v souladu s platnými předpisy.

Při převzetí zařízení zkontrolujte jeho stav, zda nedošlo k poškození způsobenému přepravou.



**POZOR:** Elektrické a elektronické výrobky se nesmí míchat s netříděným odpadem z domácností. NEPOKOUŠEJTE se systém demontovat sami: demontáž systému, ošetření oleje a dalších částí musí provádět autorizovaná montážní firma a musí být

Informace o instalaci a použití příslušenství naleznete v příslušných technických listech.

Podle údajů na obalu určete model jednotky FWP-C s ventilovým konvektorem.

## BEZPEČNOSTNÍ SYMBOLY



Pečlivě si přečtěte příručku



Pozor



Používejte osobní ochranné prostředky

## POUŽÍVEJTE VHODNÉ OSOBNÍ OCHRANNÉ POMŮCKY (RUKAVICE PROTI CHLADICÍ KAPALINĚ, OCHRANNÉ BRÝLE)

v souladu s platnými právními předpisy. Jednotky musí být zpracovány ve specializovaném zpracovatelském zařízení za účelem opětovného použití, recyklace a využití. Správnou likvidací tohoto výrobku pomůžete zabránit možným negativním důsledkům pro životní prostředí a lidské zdraví. Pro bližší informace kontaktujte technika instalace anebo místní úřady.

**POZOR:** jednotka nemá žádné nebezpečné složky podle klasifikace Nařízení 1357/2014.

# 2 ZAMÝŠLENÉ POUŽITÍ

Společnost Daikin je zbavena jakékoli odpovědnosti v případech, kdy je spotřebič instalován nekvalifikovaným personálem, je používán nesprávně nebo v nepříjemných podmínkách, není udržován v souladu s touto příručkou nebo nejsou použity originální náhradní díly.

Zařízení určená pro klimatizaci místností a určená pro použití v aplikacích občanského komfortu.

## MÍSTO INSTALACE

Při výběru místa instalace dbejte na následující body:

- klimatizační jednotka nesmí být umístěna bezprostředně pod elektrickou zásuvkou
- neinstalujte jednotku v prostředí s výskytem hořlavých plynů nebo prachu
- nevystavujte přístroj stříkající vodě; neinstalujte do prádely

- instalujte jednotku ventilového konvektoru na stěny nebo stropy, které unesou její hmotnost, a ponechte kolem ní dostatečný prostor pro zajištění správného provozu a údržby
- až do instalace uchovávejte jednotku v obalu, aby se do ní nedostal prach

# 3 POPIS ZAŘÍZENÍ

## MODULACE A ÚČINNOST STROPNÍ INSTALACE

FWP-C doplňuje řadu elektromotorů využívajících technologii měniče EC. Ke zvláštním vlastnostem FWP-C se přidávají výhody bezkartáčové technologie v podobě snížení spotřeby elektrické energie a následného snížení emisí CO<sub>2</sub>, zvýšené provozní flexibility díky modulaci průtoku vzduchu a zvýšení úrovně tepelně-hygrometrického a akustického komfortu.

Řada se skládá z 8 modelů pokrývajících rozsah průtoku vzduchu od 300 do 1200 m<sup>3</sup>/h.

Plynulá modulace průtoku vzduchu a použití vysoce účinných

výměníků tepla umožňuje provoz i při malých rozdílech teplot vzduchu a vody.

Výměníky tepla lze také optimalizovat v okruhu pro centralizované aplikace, jako je například dálkové chlazení.

## HLAVNÍ SOUČÁSTI

### Konstrukce

Vyrobeno z pozinkovaného ocelového plechu, tepelně a zvukově izolováno samozhášecími panely třídy 1. Snížená výška pro usnadnění instalace ve vodorovné poloze, v podhledech. Konstrukce obsahuje sběrnou a vypouštěcí nádrž na kondenzát.

Hlavní sběrná nádrž na kondenzát je umístěna uvnitř konstrukce jednotky a je pod přetlakem vůči odtoku, aby se usnadnil odvod kondenzátu.

### Výměník tepla

Standardně 3řadý, na vyžádání je k dispozici 4řadý, vysoká účinnost, vyrobený z měděné trubky a hliníkových lamel, které jsou k trubkám připevněny mechanickou roztažností. Je vybaven mosaznými kolektory a odvzdušňovacím ventilem. Akumulátor, který se běžně dodává s přípojkami vlevo, lze otočit o 180°. Vysoce účinné cívky optimalizované pro aplikace dálkového chlazení jsou k dispozici na vyžádání.

### Ventilátory

Odstředivé ventilátory s dvojitým vstupem z ABS nebo hliníku, s dopředu zahnutými lopatkami, staticky a dynamicky vyvážené,

připojené přímo k elektromotoru.

### Motor EC

Motor s permanentním magnetem. Jednotka je vybavena deskou s řídicím měničem motoru, která umožňuje přesné nastavení otáček (řídicí signál 0-10 V).

### Vzduchový filtr

Obnovitelný vzduchový filtr z akrylových vláken, třída filtru G3, umístěný na přívodu vzduchu, vyjímatelný zespodu v zásuvce.

### Přívod vzduchu

Přívod vzduchu z přední nebo spodní části stroje, v závislosti na požadavcích zařízení.

### Příklad instalace

Konstrukce umožňuje kombinovat širokou škálu příslušenství na vstupní a výstupní straně a dosáhnout tak optimální konfigurace jednotky.

## PŘÍSLUŠENSTVÍ

Elektronické mikroprocesorové ovládací panely s displejem	
<b>FWCSAP</b>	Napájecí karta pro ovládání FWCS
<b>FWCSAC</b>	Uživatelské rozhraní s displejem pro ovládání FWCS
<b>FWEC3AA</b>	Mikroprocesorové řízení s displejem FWEC3AA
<b>FWHSKA</b>	Vlhkostní sonda pro ovládání FWEC 2, FWEC3AA, FWEC5
<b>FWTSKA</b>	Vodní sonda pro ovládání FWEC, FWEC5
Pomocné zásobníky kondenzátu, izolační pláště, čerpadlo pro odvod kondenzátu	
<b>CDRP1A</b>	Sada čerpadla pro odvod kondenzátu
Topná tělesa	
<b>EH</b>	Topná tělesa s montážní sadou, reléovou skříňkou a bezpečnostními zařízeními
Různé příslušenství	
<b>EDPD</b>	Pomocný zásobník kondenzátu
<b>EPIMSB6</b>	Napájecí rozhraní pro paralelní připojení až 4 jednotek ventilových konvektorů k jedné řídicí jednotce
Ventily	
Dvoucestné ventily, pohony ON/OFF nebo MODULAČNÍ, napájení 230 V nebo 24 V, hydraulické sady, pro přídatnou baterii	
Dvoucestné ventily, pohony ON/OFF nebo MODULAČNÍ, napájení 230 V nebo 24 V, hydraulické sady, pro hlavní baterii	
Třícestné ventily, pohony ON/OFF nebo MODULAČNÍ, napájení 230 V nebo 24 V, hydraulické sady, pro přídatnou baterii	
Třícestné ventily, pohony ON/OFF nebo MODULAČNÍ, napájení 230 V nebo 24 V, hydraulické sady, pro hlavní baterii	
Tlakové nezávislé dvoucestné ventily, pohony ON/OFF nebo MODULAČNÍ, napájení 230 V nebo 24 V, hydraulické sady, pro hlavní a přídatné baterie	

## 4 ROZMĚROVÉ ÚDAJE

Obrázek na str. 82-83 ukazuje rozměrové údaje FWP-C a polohu hydraulických přípojek.

## 5 INSTALACE

**⚠ POZOR:** instalaci a uvedení jednotky do provozu musí provádět kompetentní pracovníci podle pravidel správné instalační praxe a v souladu s platnými předpisy.

**⚠ POZOR:** Instalujte kanálovou jednotku, síťový jistič (IL) a/nebo všechny dálkové ovladače na místo, které je mimo dosah osob ve vaně nebo ve sprše.

**🔧 UPOZORNĚNÍ:** Před umístěním standardního svítidla se doporučuje nainstalovat na něj veškeré příslušenství, a to podle datových listů. Sání a výtlač mají obdélníkový průřez s předvrtanými

otvory pro připojení dostupného příslušenství.

Přípojky výměníku je možné orientovat na opačnou stranu následujícím způsobem (str. 84):

- sejměte horní přední panel.
- vyjměte odtokovou misku kondenzátu.
- vyjměte baterii otočením upevňovacích šroubů (2 na každé straně).
- otočte baterii o 180° (ve svislé ose) a znovu ji připevněte k jednotce.
- znovu sestavte vanu a uzávěr.

### POKYNY K INSTALACI

Některá pravidla, která je třeba dodržovat

- Odvzdušněte vzduch z výměníku tepla při zastavených čerpadlech pomocí odvzdušňovacích ventilů umístěných vedle přípojek výměníku.
- Potrubí, zejména přívodní potrubí, musí být izolováno anti kondenzačním materiálem.
- V blízkosti spotřebiče umístěte kontrolní panel pro údržbu a čištění.
- Jednotka musí být instalována na základě technických úvah a návrhu, a to provedením aerodynamického posouzení a vyhodnocením PROTILAKU vyvíjeného KANÁLEM aplikovaným na přívod, aby se předešlo problému s nemožností změny rychlosti: odpovědnost nemůže ležet na výrobku, ale na instalaci;
- Nainstalujte jednotku s příslušnými revizními poklopy pro běžnou i mimořádnou údržbu ventilátorových cívek: pro mechanické, elektrické a hydraulické výměny;
- Nainstalujte ovládací panel na stěnu; zvolte snadno přístupné místo pro nastavení funkcí a, pokud je k dispozici, účinné pro detekci teploty. Vyhněte se místům přímo vystaveným slunečnímu záření, místům vystaveným přímým proudům horkého nebo studeného vzduchu a překážkám, které brání správnému měření teploty.

#### **⚠ UPOZORNĚNÍ:**

Při běžném provozu, zejména při minimálních otáčkách ventilátoru a vysoké relativní vlhkosti okolního vzduchu, může docházet ke kondenzaci na přívodu vzduchu a na některých částech vnější konstrukce jednotky.

Aby se těmto jevům zabránilo a zároveň se nepřekročily pracovní limity předpokládané pro spotřebič, je nutné omezit teplotu vody vstupující do výměníku. Zejména rozdíl mezi teplotou rosného vzduchu ( $T_A$ ,  $D_p$ ) a teplotou vstupní vody ( $T_W$ ) nesmí podle vztahu překročit  $14\text{ °C}$ :  $T_W > T_A, DP - 14\text{ °C}$

**Příklad:** V případě okolního vzduchu o teplotě  $25\text{ °C}$  a relativní vlhkosti  $75\%$  je hodnota rosné teploty přibližně  $20\text{ °C}$ , a proto musí být teplota vody vstupující do výměníku vyšší než:

- $20 - 14 = 6\text{ °C}$  aby nedocházelo ke kondenzaci na fan coil vybaveném ventilem.
- $20 - 12 = 8\text{ °C}$  pokud nelze nainstalovat příslušenství sady ventilů.

		Fan coil s ventilem						
		T suchý teploměr vzduchu [°C]						
		21	23	25	27	29	31	33
Relativní vlhkost %	40	5	5	5	5	5	5	5
	50	5	5	5	5	5	6	8
	60	5	5	5	5	7	9	11
	70	5	5	6	8	9	11	13
	80	5	6	8	10	12	14	16
	90	6	8	10	12	14	16	18

		Fan coil bez ventilu						
		T suchý teploměr vzduchu [°C]						
		21	23	25	27	29	31	33
Relativní vlhkost %	40	6	6	6	6	6	6	6
	50	6	6	6	6	6	8	10
	60	6	6	6	7	9	11	13
	70	6	6	8	10	11	13	15
	80	6	8	10	12	12	16	18
	90	8	10	12	14	14	18	20

Pokud je terminál delší dobu v klidu, ventilátor je zastaven a ve výměníku tepla cirkuluje studená voda, může se na vnější straně spotřebiče tvořit kondenzát. V tomto případě je vhodné nainstalovat příslušenství v podobě třicestného (nebo dvoucestného) ventilu, aby se při zastavení ventilátoru přerušil přívod vody do spirály.

V případě zimních odstavek vypusťte vodu ze systému, abyste zabránili poškození v důsledku tvorby ledu; Pokud se používají nemrznoucí roztoky, zkontrolujte bod tuhnutí podle níže uvedené tabulky.

% hmotnostních glykolu	Teplota zmrazení (°C)	Změny ve výkonu	Změna tlakové ztráty
0	0	1,00	1,00
10	-4	0,97	1,05
20	-10	0,92	1,10
30	-16	0,87	1,15
40	-24	0,82	1,20



## Elektrická zapojení

Elektrická připojení provádějte bez napětí v souladu s platnými bezpečnostními předpisy.

Zapojení smí provádět pouze kvalifikovaný personál.

**Pro každou jednotku ohřívače s ventilátorem zajistěte spínač (IL) na síťovém přívodu s rozpínacími kontakty ve vzdálenosti nejméně 3 mm a vhodnou ochrannou pojistkou (F).**

Spotřeba energie je uvedena na štítku s jmenovitými údaji, který je připevněn k jednotce.

Při instalaci pečlivě dodržujte schéma zapojení pro kombinaci

jednotky a ovládacího panelu.

FWP-C + FWEC3A (vestavěný motor) str. 86

FWP-C + FWEC3A (samostatný motor) str. 87

FWP-C + FWEC3 str. 88

**POZNÁMKA: Elektrické kabely (napájecí a ovládací) musí být přivedeny do svorkovnice přes kabelovou svorku na opačné straně než je strana hydraulického připojení.**

**⚠ POZOR:** SPOLEČNÝ kabel motoru je BÍLÝ: jeho nesprávné zapojení způsobí neopravitelné poškození motoru.

## 5.1 MONTÁŽ JEDNOTKY

### Upevnění jednotky

Vložte dodané tlumiče vibrací do 4 otvorů určených k upevnění na strop.

Připevněte základní jednotku ke stropu nebo ke stěně pomocí 4 otvorů, které jsou k dispozici.

- Doporučuje se použít závitové tyče 8MA, hmoždinky vhodné pro hmotnost samotného stroje a připravit umístění stroje pomocí 3 šroubů 8MA (2 dole, 1 nahoře, jak je znázorněno na obrázku str. 85) a dvě podložky pro každou tyč. Před utažením pojistné matice nastavte uzávěr hlavní matice tak, aby měl spotřebič správný sklon, tj. takový, který usnadňuje odvod

kondenzátu (obrázek str. 85 Odvod kondenzátu). Správného sklonu se dosáhne nakloněním sací strany směrem dolů vzhledem k výtlačné straně, dokud mezi oběma konci nevznikne výškový rozdíl přibližně 10 mm. Provedte hydraulické připojení k výměníku tepla a v případě chladicího provozu k odvodu kondenzátu. Použijte jeden ze dvou odtokových otvorů nádrže, které jsou vidět na vnější straně bočních stran jednotky.

- Pro připojení jednotky k potrubí pro odvod kondenzátu použijte ohebnou gumovou hadici a připevněte ji ke zvolenému odvodňovacímu potrubí (ø 3/8") pomocí kovové svorky (použijte odtok na straně hydraulických přípojek).

## 6 FUNKČNÍ KONTROLA

- Zkontrolujte, zda je spotřebič instalován tak, aby byl zaručen požadovaný sklon.
- Zkontrolujte, zda není odtok kondenzátu ucpaný (nánosy suti apod.).
- Zkontrolujte těsnost hydraulických spojů.
- Zkontrolujte, zda je elektrická instalace bezpečná (zkontrolujte, zda není pod napětím).
- Zkontrolujte, zda byl z výměníku tepla odstraněn vzduch.
- Zapněte spotřebič a zkontrolujte jeho provoz.

## 7 POUŽITÍ

Pro ovládání jednotky se řiďte pokyny na ovládacím panelu, který je k dispozici jako příslušenství.

**⚠ POZOR:** Z bezpečnostních důvodů nevkládejte ruce ani předměty do mřížky výstupu vzduchu.

**⚠ NEBEZPEČÍ:** Spotřebič mohou používat děti ve věku nejméně 8

let a osoby se sníženými fyzickými, smyslovými nebo duševními schopnostmi nebo osoby s nedostatkem zkušeností nebo znalostí, pokud jsou pod dohledem nebo pokud obdržely pokyny týkající se bezpečného používání spotřebiče a porozuměly souvisejícím nebezpečím. Děti si se spotřebičem nesmí hrát. Čištění a údržbu určenou uživateli nesmí provádět děti bez dozoru.

## 8 ÚDRŽBA

**Před prováděním údržby nebo čištění spotřebič z bezpečnostních důvodů vypněte nastavením spínače rychlosti do polohy „Zastavení“ a přepínač linky do polohy 0 (OFF).**

**⚠ NEBEZPEČÍ!** Při údržbě dbejte zvýšené opatrnosti: některé kovové části mohou způsobit zranění: použijte ochranné rukavice.

Kanálové jednotky FWP-C vyžadují údržbu omezenou na pravidelné

čištění vzduchového filtru, výměníku tepla a kontrolu účinnosti odvodu kondenzátu.

**Údržbu smí provádět pouze specializovaný personál.**

Při každém spuštění po delší odstavce se ujistěte, že ve výměníku tepla není žádný vzduch.

Motor je bezúdržbový, protože je vybaven samomaznými ložisky.

### ČIŠTĚNÍ VZDUCHOVÉHO FILTRU

Odpojte napájení jednotky nastavením síťového přepínače do polohy 0 (OFF).

Při čištění vzduchového filtru postupujte následovně:

1. Přístup k jednotce přes kontrolní panel a vyjměte vzduchový filtr podle obrázku (str. 89 Čištění vzduchového filtru):
2. Pokud se filtr nachází uvnitř sací mřížky, vyjměte ji a pokračujte

v níže popsanych činnostech.

3. Filtr čistěte vlažnou vodou nebo v případě suchého prachu stlačeným vzduchem.

4. Po zaschnutí filtr znovu vložte.

Rozměry vzduchového filtru, viz obrázek: str. 84.

### ČIŠTĚNÍ VÝMĚNÍKU TEPLA

Před každou letní sezónou je vhodné zkontrolovat stav výměníku a ověřit, zda nejsou lamely zaneseny nečistotami.

Pro přístup k výměníkové spirále je nutné odstranit přívodní panel (límeč nebo obdélníkovou přírubu) a sběrnou nádržku na kondenzát.

Po dosažení výměníku jej vyčistěte stlačeným vzduchem nebo nízkotlakou párou, aniž byste poškodili lamely výměníku tepla.

Před každým zahájením letního provozu zkontrolujte, zda je pravidelně prováděn odvod kondenzátu.

**Správná a pravidelná údržba vede k úsporám energie a nákladů.**

## 9 ŘEŠENÍ PROBLÉMŮ

Pokud spotřebič nefunguje správně, proveďte před přivoláním servisu kontroly podle následující tabulky.

Pokud se problém nepodaří vyřešit, obraťte se na nejbližšího prodejce nebo servisní středisko.

PROBLÉM	PŘÍČINA	ŘEŠENÍ
Jednotka nefunguje	Výpadek napájení	Obnovení napájení
	Jistič zasáhl	Požádejte o zásah asistenční službu
	Spínač startéru je nastaven na 0.	Spusťte stroj nastavením spínače do polohy ON
Jednotka špatně topí nebo chladí	Vzduchový filtr je znečištěný nebo ucpaný	Vyčistěte vzduchový filtr
	V blízkosti sání nebo výstupu vzduchu je překážka	Odstranění překážky
	Uvnitř výměníku tepla je přítomen vzduch	Požádejte instalatéra o zásah
	Okna a dveře jsou otevřené	Zavření dveří a/nebo oken
Jednotka „vypouští“ vodu	Je zvolena minimální provozní rychlost	Zvolte průměrnou nebo maximální rychlost
	Spotřebič není nainstalován ve správném sklonu	Požádejte instalatéra o zásah
	Odtok kondenzátu je ucpaný	Požádejte instalatéra o zásah

# 10 JMENOVITÉ TECHNICKÉ ÚDAJE

» 2 trubky

FWP-C			04			05			06			08		
Rychlost			Min	Průměr	Max	Min	Průměr	Max	Min	Průměr	Max	Min	Průměr	Max
Certifikované rychlosti			2,5,7			1,5,7			1,6,7			1,4,7		
Vstupní napětí	(E)	V	2,90	8,00	9,00	4,30	7,50	8,40	4,50	7,40	8,30	5,40	8,30	9,90
Jmenovitý průtok vzduchu	(E)	m <sup>3</sup> /h	109	246	276	171	275	341	195	360	402	305	532	652
Užitečný statický tlak	(E)	Pa	10	50	63	19	50	77	19	50	63	17	50	75
Spotřeba energie	(E)	W	6	25	33	10	24	39	10	26	35	22	51	77
Maximální spotřeba proudu		A	0,32			0,60			0,84			0,84		
Celkový chladicí výkon	(1)(E)	kW	0,93	1,76	1,95	1,29	1,95	2,34	1,59	2,74	3,04	1,98	3,26	3,79
Čitlivý chladicí výkon	(1)(E)	kW	0,62	1,25	1,39	0,91	1,39	1,66	1,09	1,91	2,11	1,48	2,48	2,92
Třída FCEER	(E)		A											
Průtok vody	(2)	l/h	161	306	340	222	339	408	274	476	527	343	568	664
Pokles tlaku	(2)(E)	kPa	2	5	6	3	6	8	3	7	9	3	8	11
Topný výkon	(3)(E)	kW	0,88	1,81	1,99	1,33	1,98	2,35	1,59	2,80	3,10	2,35	3,71	4,31
Třída FCCOP	(E)		A											
Průtok vody	(3)	l/h	153	315	346	231	345	408	276	488	538	408	644	749
Pokles tlaku	(3)(E)	kPa	1	4	5	2	5	7	2	6	8	4	9	11
Standardní baterie - počet řádků			3			3			4			3		
Celkový zvukový výkon	(4)	dB (A)	28	49	52	39	50	54	39	50	54	38	52	58
Vyzařovaný akustický výkon + přívod vzduchu	(4)(E)	dB (A)	26	47	50	37	48	52	37	48	52	36	50	56
Zvuková síla přívodu vzduchu	(4)(E)	dB (A)	25	46	49	36	47	51	36	47	51	35	49	55
Obsah vody - baterie STD		dm <sup>3</sup>	1,20			1,20			2,20			1,60		
Sekce napájecího kabelu	(5)	mm <sup>2</sup>	1,00			1,00			1,00			1,00		
Typ napájecího kabelu			N07V-K											
Ochranná pojistka F		A	1			1			1			1		
Typ pojistky			gG											

FWP-C			10			11			15			17		
Rychlost			Min	Průměr	Max	Min	Průměr	Max	Min	Průměr	Max	Min	Průměr	Max
Certifikované rychlosti			1,6,7			1,6,7			5,6,7			5,6,7		
Vstupní napětí	(E)	V	3,40	7,60	8,50	3,40	7,60	8,50	6,80	7,50	8,30	6,80	7,50	8,30
Jmenovitý průtok vzduchu	(E)	m <sup>3</sup> /h	333	687	760	333	687	760	1050	1163	1289	1050	1163	1289
Užitečný statický tlak	(E)	Pa	12	50	61	12	50	61	40	50	60	40	50	60
Spotřeba energie	(E)	W	11	54	68	11	54	68	105	128	162	105	128	162
Maximální spotřeba proudu		A	0,91			0,91			3,52			3,52		
Celkový chladicí výkon	(1)(E)	kW	2,29	4,34	4,75	2,51	4,91	5,35	6,28	6,81	7,38	7,04	7,64	8,28
Čitlivý chladicí výkon	(1)(E)	kW	1,67	3,21	3,51	1,77	3,45	3,76	4,64	5,03	5,46	4,96	5,38	5,84
Třída FCEER	(E)		A			A			C			B		
Průtok vody	(2)	l/h	394	753	828	432	850	930	1094	1190	1295	1225	1332	1448
Pokles tlaku	(2)(E)	kPa	2	7	8	3	10	12	13	16	18	20	23	26
Topný výkon	(3)(E)	kW	2,54	4,76	5,17	2,63	5,03	5,49	6,68	7,22	7,80	7,18	7,80	8,46
Třída FCCOP	(E)		A			A			B			B		
Průtok vody	(3)	l/h	441	827	898	457	875	955	1162	1256	1356	1248	1355	1471
Pokles tlaku	(3)(E)	kPa	2	7	8	3	9	11	12	14	16	17	19	22
Standardní baterie - počet řádků			3			4			3			4		
Celkový zvukový výkon	(4)	dB (A)	38	55	58	38	55	58	61	63	69	61	63	69
Vyzařovaný akustický výkon + přívod vzduchu	(4)(E)	dB (A)	36	53	56	36	53	56	59	61	67	59	61	67
Zvuková síla přívodu vzduchu	(4)(E)	dB (A)	35	52	55	35	52	55	58	60	66	58	60	66
Obsah vody - baterie STD		dm <sup>3</sup>	2,50			3,30			2,50			3,30		
Sekce napájecího kabelu	(5)	mm <sup>2</sup>	1,00			1,00			1,50			1,50		
Typ napájecího kabelu			N07V-K											
Ochranná pojistka F		A	1			1			2			2		
Typ pojistky			gG											

(1) Teplota vody 7°C / 12°C, teplota vzduchu 27°C suchý teploměr / 19°C vlhký teploměr (47% relativní vlhkost) podle EN1397:2015

(2) Teplota vody 7°C / 12°C, teplota vzduchu 27°C suchý teploměr / 19°C vlhký teploměr (47% relativní vlhkost)

(3) Teplota vody 45°C / 40°C, teplota vzduchu 20°C

(4) Hladina akustického výkonu měřena podle ISO 3741 a ISO 3742

(5) Uvedený průřez je minimální doporučený průřez. Kabely musí být vybrány v souladu s CEI - UNEL 35024/1.

(E) Certifikované údaje EUROVENT

Napájení 230-1-50 (V-ph-Hz)

## » 4 trubky

FWP-C			04			05			06			08		
Rychlost			Min	Průměr	Max	Min	Průměr	Max	Min	Průměr	Max	Min	Průměr	Max
Certifikované rychlosti			2,5,7			1,5,7			1,6,7			1,4,7		
Vstupní napětí	(E)	V	2,90	7,90	8,90	4,50	7,30	8,90	4,50	7,40	8,30	5,40	8,30	9,90
Jmenovitý průtok vzduchu	(E)	m <sup>3</sup> /h	109	243	270	170	272	336	195	357	398	302	524	642
Užitečný statický tlak	(E)	Pa	10	50	63	19	50	77	19	50	63	17	50	75
Spotřeba energie	(E)	W	6	25	32	10	23	39	10	26	35	21	50	77
Maximální spotřeba proudu		A	0,32			0,60			0,84			0,84		
Celkový chladicí výkon	(1)(E)	kW	0,93	1,74	1,91	1,28	1,93	2,31	1,59	2,72	3,01	1,95	3,22	3,75
Čitlivý chladicí výkon	(1)(E)	kW	0,62	1,24	1,36	0,90	1,38	1,64	1,09	1,89	2,09	1,47	2,44	2,89
Třída FCEER	(E)		A											
Průtok vody	(2)	l/h	161	302	333	221	335	404	274	473	522	339	562	656
Pokles tlaku	(2)(E)	kPa	2	5	6	3	6	8	3	7	9	3	8	11
Topný výkon	(3)(E)	kW	1,14	1,93	2,06	1,55	2,07	2,32	2,09	3,09	3,29	2,80	3,82	4,24
Třída FCCOP	(E)		A											
Průtok vody	(3)	l/h	100	169	180	136	181	204	183	271	288	245	334	371
Pokles tlaku	(3)(E)	kPa	1	2	3	2	3	3	2	3	4	3	5	6
Přídavná baterie - počet řad			3+1			3+1			4+1			3+1		
Celkový zvukový výkon	(4)	dB (A)	28	49	52	39	50	54	39	50	54	38	52	58
Vyzařovaný akustický výkon + přívod vzduchu	(4)(E)	dB (A)	26	47	50	37	48	52	37	48	52	36	50	56
Zvuková síla přívodu vzduchu	(4)(E)	dB (A)	25	46	49	36	47	51	36	47	51	35	49	55
Obsah vody - přídavná baterie		dm <sup>3</sup>	0,47			0,47			0,59			0,59		
Sekce napájecího kabelu	(5)	mm <sup>2</sup>	1,00			1,00			1,00			1,00		
Typ napájecího kabelu			N07V-K											
Ochranná pojistka F		A	1			1			1			1		
Typ pojistky			gG											

FWP-C			10			11			15			17		
Rychlost			Min	Průměr	Max	Min	Průměr	Max	Min	Průměr	Max	Min	Průměr	Max
Certifikované rychlosti			1,6,7			1,6,7			5,6,7			5,6,7		
Vstupní napětí	(E)	V	3,40	7,60	8,50	3,40	7,60	8,50	6,80	7,50	8,30	6,80	7,50	8,30
Jmenovitý průtok vzduchu	(E)	m <sup>3</sup> /h	333	683	755	333	683	755	1050	1163	1289	1050	1163	1289
Užitečný statický tlak	(E)	Pa	12	50	61	12	50	61	40	50	60	40	50	60
Spotřeba energie	(E)	W	11	54	67	11	54	67	105	128	162	105	128	162
Maximální spotřeba proudu		A	0,91			0,91			3,52			3,52		
Celkový chladicí výkon	(1)(E)	kW	2,29	4,32	4,72	2,51	4,88	5,32	6,28	6,81	7,38	7,04	7,64	8,28
Čitlivý chladicí výkon	(1)(E)	kW	1,67	3,19	3,48	1,77	3,43	3,74	4,64	5,03	5,46	4,96	5,38	5,84
Třída FCEER	(E)		A			A			C			B		
Průtok vody	(2)	l/h	394	749	822	432	846	925	1094	1190	1295	1225	1332	1448
Pokles tlaku	(2)(E)	kPa	2	7	8	3	10	12	13	16	18	20	23	26
Topný výkon	(3)(E)	kW	3,40	5,17	5,45	3,40	5,17	5,45	6,42	6,73	7,06	6,42	6,73	7,06
Třída FCCOP	(E)		A			A			C			C		
Průtok vody	(3)	l/h	297	452	477	297	452	477	562	589	618	562	589	618
Pokles tlaku	(3)(E)	kPa	6	13	14	6	13	14	19	21	22	19	21	22
Přídavná baterie - počet řad			3+1			4+1			3+1			4+1		
Celkový zvukový výkon	(4)	dB (A)	38	55	58	38	55	58	61	63	69	61	63	69
Vyzařovaný akustický výkon + přívod vzduchu	(4)(E)	dB (A)	36	53	56	36	53	56	59	61	67	59	61	67
Zvuková síla přívodu vzduchu	(4)(E)	dB (A)	35	52	55	35	52	55	58	60	66	58	60	66
Obsah vody - přídavná baterie		dm <sup>3</sup>	0,97			0,97			0,97			0,97		
Sekce napájecího kabelu	(5)	mm <sup>2</sup>	1,00			1,00			1,50			1,50		
Typ napájecího kabelu			N07V-K											
Ochranná pojistka F		A	1			1			2			2		
Typ pojistky			gG											

- (1) Teplota vody 7°C / 12°C, teplota vzduchu 27°C suchý teploměr / 19°C vlhký teploměr (47% relativní vlhkost) podle EN1397:2015  
 (2) Teplota vody 7°C / 12°C, teplota vzduchu 27°C suchý teploměr / 19°C vlhký teploměr (47% relativní vlhkost)  
 (3) Teplota vody 65°C / 55°C, teplota vzduchu 20°C  
 (4) Hladina akustického výkonu měřená podle ISO 3741 a ISO 3742  
 (5) Uvedený průřez je minimální doporučený průřez. Kabely musí být vybrány v souladu s CEI - UNEL 35024/1.  
 (E) Certifikované údaje EUROVENT  
 Napájení 230-1-50 (V-ph-Hz)

## 11 HMOTNOSTI

FWP-C		04	05	06	08	10	11	15	17
2 trubky	kg	24,4	25,4	33,0	36,0	45,0	45,0	51,0	51,0
4 trubky	kg	25,8	26,8	34,6	37,6	47,5	47,5	53,5	53,5



# SADRŽAJ

---

<b>1</b>	<b>PRIJE POČETKA INSTALACIJE</b> .....	p. 64
<b>2</b>	<b>NAMIJENJENA UPORABA</b> .....	p. 64
	MJESTO UGRADNJE .....	p. 64
<b>3</b>	<b>OPIS UREĐAJA</b> .....	p. 64
3.1	PODEŠAVANJE I UČINKOVITOST PRILIKOM UGRADNJE U STROP .....	p. 64
3.2	GLAVNE KOMPONENTE .....	p. 65
	OPREMA .....	p. 65
<b>4</b>	<b>PODATCI O DIMENZIJAMA</b> .....	p. 66
<b>5</b>	<b>UGRADNJA</b> .....	p. 66
	UPOZORENJA O INSTALACIJI .....	p. 66
5.1	MONTAŽA JEDINICE .....	p. 67
<b>6</b>	<b>FUNKCIONALNA PROVJERA</b> .....	p. 67
<b>7</b>	<b>KORIŠTENJE</b> .....	p. 68
<b>8</b>	<b>ODRŽAVANJE</b> .....	p. 68
	ČIŠĆENJE FILTRA ZRAKA .....	p. 68
	ČIŠĆENJE ZAVOJNICE IZMJENJIVAČA TOPLINE .....	p. 68
<b>9</b>	<b>RJEŠAVANJE KVAROVA</b> .....	p. 69
<b>10</b>	<b>NAZIVNI TEHNIČKI PODATCI</b> .....	p. 70
<b>11</b>	<b>TEŽINE</b> .....	p. 71
<b>12</b>	<b>SLIKE</b> .....	p. 82

HR

## **OGRANIČENJA RADA**

Tekućina za prijenos topline: **voda**

Temperatura vode: **5 °C ÷ 95 °C**

Temperatura zraka: **-20 °C ÷ 40 °C**

Napon napajanja: **230 V +/-10 %**

Maksimalni radni tlak: **16 bara**

Ograničenje relativne vlažnosti zraka iz okoline:

**RH<85% nekondenzirajuće**

# 1 PRIJE POČETKA INSTALACIJE

Pažljivo pročitajte ovaj priručnik.

Instalaciju i održavanje uređaja smije obavljati isključivo tehničko osoblje kvalificirano za ovu vrstu uređaja, u skladu s postojećim propisima.

Nakon primitka uređaja provjerite njegovo stanje i uvjerite se da

nije pretrpio nikakva oštećenja tijekom transporta.

Za ugradnju i uporabu bilo koje dodatne opreme pogledajte odgovarajuće tehničke listove.

Odredite model ventilatorskog konvektora FWP-C prema podacima na pakiranju.

## SIGURNOSNI SIMBOLI



Pažljivo pročitajte ovaj priručnik



Pažnja



Koristite osobnu zaštitnu opremu

## KORISTITE ODGOVARAJUĆU OZO (RUKAVICE ZA RASHLADNU TEKUĆINU, PROTEKTIVNE NAOČALE)

mora izvršiti ovlašteni instalater i mora biti u skladu s važećim zakonodavstvom. Jedinice se moraju tretirati u specijaliziranim pogonima za ponovnu uporabu, recikliranje i oporabu. Pravilnim odlaganjem ovog proizvoda pomoći ćete spriječiti moguće negativne posljedice za okoliš i zdravlje ljudi. Za dodatne informacije obratite se svom instalateru ili lokalnoj vlasti.

**PAŽNJA:** jedinica nema opasnih komponenti prema klasifikaciji Uredbe 1357/2014.



**PAŽNJA:** Električni i elektronički proizvodi ne smiju se miješati s nerazvrstanim kućanskim otpadom. NE pokušavajte sami rastaviti sustav: demontažu sustava, odlaganje ulja i drugih dijelova

# 2 NAMIJENJENA UPOTREBA

Daikin se oslobađa svake odgovornosti u slučajevima kada uređaj ugrađuje nekvalificirano osoblje, kada se koristi nepropisno ili u nedopuštenim uvjetima, kada se ne provodi održavanje opisano u

ovom priručniku ili kada se ne koriste originalni rezervni dijelovi. D Uređaji dizajnirani za klimatizaciju prostora i namijenjeni za korištenje u civilnim uvjetima.

## MJESTO INSTALACIJE

Prilikom odabira mjesta instalacije pridržavajte se sljedećih pravila:

- klima uređaj ne smije se stavljati neposredno ispod utičnice
- nemojte ugrađivati jedinicu u okruženja u kojima su prisutni zapaljivi plin ili prašina
- ne izlažite uređaj prskanju vode; nemojte ga ugraditi u praonici rublja

- ugradite jedinicu ventilatorskog konvektora na zidove ili stropove koji mogu izdržati njezinu težinu, zadržavajući dovoljno prostora oko nje kako biste osigurali pravilan rad i održavanje
- držite jedinicu u pakiranju do trenutka instalacije kako biste izbjegli prodiranje prašine u njenu unutrašnjost

# 3 OPIS UREĐAJA

## PODEŠAVANJE I UČINKOVITOST PRILIKOM UGRADNJE U STROP

Uređajem FWP-C upotpunjava se asortiman primjenom EC inverterske tehnologije na elektromotorima. Posebnostima FWP-C-a dodane su prednosti tehnologije bez četkica u smislu smanjenja potrošnje električne energije i posljedično smanjenja emisije CO<sub>2</sub>, povećanje fleksibilnosti rada zahvaljujući modulaciji protoka zraka i povećanju razine termohigrometrijske i akustične udobnosti.

Asortiman se sastoji od 8 modela koji pokrivaju raspon protoka zraka od 300 do 1200 m<sup>3</sup>/h.

Kontinuirana modulacija protoka zraka i uporaba visokoučinkovitih izmjenjivača topline omogućuju rad čak i uz ograničene temperaturne razlike zrak -voda.

Izmjenjivači topline također se mogu optimizirati u strujnom krugu za centralizirane primjene, poput daljinskog hlađenja.



## GLAVNE KOMPONENTE

### Struktura

Izrađena od pocinčanog čeličnog lima, toplinski i zvučno izolirana sa samogasivim pločama klase 1. Smanjena visina za lakšu ugradnju u vodoravnom položaju, u spuštene stropove. Jedinica sadrži posudu za skupljanje kondenzata i odvod.

Glavni spremnik za prikupljanje kondenzata nalazi se unutar strukture jedinice i pod pozitivnim je tlakom u odnosu na odvod kako bi se olakšao odvod kondenzata.

### Zavojnica izmjenjivača topline

Standardna u 3 reda, na zahtjev dostupna u 4 reda, visoke učinkovitosti, u bakrenim cijevima i aluminijskim rebrima mehanički pričvršćenima na cijevi. Opremljena je mjedenim razvodnicima i ventilom za odzračivanje zraka. Zavojnica, obično isporučena s priključcima na lijevoj strani, može se zakrenuti za 180°. Zavojnice visoke učinkovitosti optimizirane za primjene daljinskog hlađenja dostupne su na zahtjev.

### Ventilatori

Centrifugalni ventilatori s dvostrukim usisom izrađene od ABS-a ili aluminija, s lopaticama prema naprijed, statički i dinamički

uravnoteženi, izravno spojeni na elektromotor.

### EC motor

Motor s permanentnim magnetima. Jedinica je opremljena upravljačkom pločom motora s inverterom, koja omogućuje precizno podešavanje brzine vrtnje (upravljački signal 0-10V).

### Filtar zraka

Obnovljivi zračni filtar od akrilnih vlakana, klasa filtracije G3, postavljen na usisnik zraka, izvlači se iz ladice od ispod.

### Usis zraka

Usis zraka s prednje ili donje strane stroja, zavisno od mjesta ugradnje

### Primjer ugradnje

Konstrukcija omogućuje kombiniranje širokog asortimana opreme za povrat i isporuku kako bi se dobila optimalna konfiguracija jedinice.

## OPREMA

Elektroničke mikroprocesorske upravljačke ploče sa zaslonom	
<b>FWEC3AP</b>	Naponska ploča za upravljač FWCS
<b>FWEC3AC</b>	Korisničko sučelje sa zaslonom za upravljač FWCS
<b>FWEC3AA</b>	Mikroprocesorski upravljač sa zaslonom FWEC3AA
<b>FWH3KA</b>	Sonda vlažnosti za upravljače FWEC 2, FWEC3AA, FWEC3
<b>FWTSKA</b>	Sonda vode za upravljače FWEC, FWEC3
Pomoćni spremnici za skupljanje kondenzata, izolacijske ovojnice, pumpa za odvod kondenzata	
<b>CDRP1A</b>	Komplet pumpe za odvod kondenzata
Električni otpornici	
<b>EH</b>	Električni otpornik s montažnim kompletom, relejnom kutijom i sigurnosnim uređajima
Razna oprema	
<b>EDPD</b>	Pomoćna posuda za skupljanje kondenzata
<b>EPIMSB6</b>	Sučelje za napajanje za paralelno povezivanje do 4 ventilatorska konvektora na jedan upravljač
Ventili	
Dvosmjerni ventili, ON/OFF ili MODULIRAJUĆI aktuatori, napajanje 230 V ili 24 V, hidraulični kompleti, za dodatnu zavojniciu	
Dvosmjerni ventili, ON/OFF ili MODULIRAJUĆI aktuatori, napajanje 230 V ili 24 V, hidraulični kompleti, za glavnu zavojniciu	
Trosmjerni ventili, ON/OFF ili MODULIRAJUĆI aktuatori, napajanje 230 V ili 24 V, hidraulični kompleti, za dodatnu zavojniciu	
Trosmjerni ventili, ON/OFF ili MODULIRAJUĆI aktuatori, napajanje 230 V ili 24 V, hidraulični kompleti, za glavnu zavojniciu	
Dvosmjerni ventili neovisni o tlaku, ON/OFF ili MODULIRAJUĆI aktuatori, napajanje 230V ili 24V, hidraulični kompleti, za glavnu i dodatnu zavojniciu	

## 4 PODATCI O DIMENZIJAMA

Na slici na str. 82-83 navedeni su podaci o dimenzijama FWP-C i položaji hidrauličkih priključaka.

## 5 UGRADNJA

**PAŽNJA:** Ugradnju i puštanje u pogon jedinice mora izvesti ovlašteno osoblje, prema pravilima ispravne inženjerske prakse instalacije, u skladu s važećim propisima.

**PAŽNJA:** Postaviti jedinicu s kanalnim razvodom, linijski prekidač (IL) i/ili bilo koji daljinski upravljač na mjesto koje ljudi u kadi ili pod tušem ne mogu dosegnuti.

**UPOZORENJE:** Preporuča se ugraditi bilo koju opremu na standardni uređaj prije postavljanja uređaja, upućujući se na tehničke listove. Usis i izlaz imaju pravokutni dio s rupama

predviđenima za pričvršćivanje dostupne opreme.

Moguće je usmjeriti priključke izmjenjivača na suprotnu stranu na sljedeći način (str. 84):

- uklonite gornju prednju ploču.
- uklonite posudu za skupljanje kondenzata.
- izvadite zavojnicu odvrtanjem pričvrstnih vijaka (2 sa svake strane).
- zakrenite zavojnicu za 180° (na okomitoj osi) i pričvrstite je na trag u uređaj.
- ponovno montirajte posudu i zatvarač.

### UPOZORENJA O INSTALACIJI

Pravila za pridržavanje

- Odzračite izmjenjivač, dok su pumpe zaustavljene, djelujući na odzračne ventile koji se nalaze pored spojeva same zavojnice.
- Kanali, posebno odvodni, moraju biti izolirani materijalom protiv kondenzacije.
- Postavite u blizini uređaja kontrolnu ploču za radnje održavanja i čišćenja.
- Jedinica se mora ugraditi na temelju tehničkih i dizajnerskih podataka tako što će se izvršiti procjena protoka zraka i procijeniti PROTUTLAK koji daje KANALIRANJE primijenjeno na izlaz kako bi se izbjegli problemi pri mijenjanju brzine: što ne ovisi o proizvodu nego o ugradnji;
- Ugradite jedinicu s neophodnim kontrolnim otvorima za obično i izvanredno održavanje samih ventilatorskih konvektora: za mehaničke, električne i hidraulične operacije;
- Ugradite upravljačku ploču na zid; odaberite lako dostupno mjesto za postavljanje funkcija i, ako postoji, učinkovito mjesto za detekciju temperature. Izbjegavajte pozicije izravno izložene sunčevim zrakama, pozicije izložene izravnoj struji toplog ili hladnog zraka i postavljanje prepreka koje sprječavaju pravilno otkrivanje temperature.

**UPOZORENJE:**

U normalnom radu, osobito s ventilatorom pri minimalnoj brzini i okolnim zrakom s visokom relativnom vlagom, moguće je stvaranje kondenzacije na izlazu zraka i na nekim dijelovima vanjske strukture uređaja.

Kako biste izbjegli takve pojave, koje uvijek ostaju unutar radnih granica predviđenih za uređaj, potrebno je ograničiti temperaturu vode koja ulazi u izmjenjivač. Konkretno, razlika između temperature rosišta zraka ( $T_A, D_p$ ) i temperature ulazne vode ( $T_W$ ) NE prelazi 14°C, prema odnosu:  $T_W > T_A, D_p - 14$  °C

**Primjer:** u slučaju vanjskog zraka pri 25°C sa 75% relativne vlažnosti, temperatura rosišta iznosi približno 20°C i stoga temperatura vode koja ulazi u zavojnicu mora biti veća od:

- 20-14 = 6 °C kako bi se izbjegla kondenzacija na ventilatorskoj zavojnici opremljenoj ventilom.
- 20-12 = 8 °C ako se oprema za ventile ne može ugraditi.

Ventilatorska zavojnica s ventilom								
		T zraka suhi termometar [°C]						
		21	23	25	27	29	31	33
Relativna vlažnost %	40	5	5	5	5	5	5	5
	50	5	5	5	5	5	6	8
	60	5	5	5	5	7	9	11
	70	5	5	6	8	9	11	13
	80	5	6	8	10	12	14	16
	90	6	8	10	12	14	16	18

Ventilatorska zavojnica bez ventila								
		T zraka suhi termometar [°C]						
		21	23	25	27	29	31	33
Relativna vlažnost %	40	6	6	6	6	6	6	6
	50	6	6	6	6	6	8	10
	60	6	6	6	7	9	11	13
	70	6	6	8	10	11	13	15
	80	6	8	10	12	12	16	18
	90	8	10	12	14	14	18	20

Ako je terminal dugo zaustavljen, sa zaustavljenim ventilatorom i hladnom vodom koja cirkulira u izmjenjivaču, može doći i do kondenzacije izvan uređaja. U tom slučaju preporuča se ugraditi opremu s 3-smjernim (ili 2-smjernim) ventilom kako bi se prekinuo protok vode u zavojnicu kad je ventilator zaustavljen. U slučaju zimskih zaustavljanja, ispustite vodu iz sustava kako biste izbjegli oštećenja nastala stvaranjem leda; ako se koriste otopine protiv smrzavanja, provjerite točku smrzavanja pomoću donje tablice.

% glikol po težini	Temperatura smrzavanja (°C)	Promjena izlazne snage	Promjena pada opterećenja
0	0	1,00	1,00
10	-4	0,97	1,05
20	-10	0,92	1,10
30	-16	0,87	1,15
40	-24	0,82	1,20

### Električni priključci

Električne priključke izvedite bez napona, u skladu s važećim sigurnosnim propisima.

Ožičenje smije izvoditi samo kvalificirano osoblje.

**Za svaku termoventilacijsku jedinicu osigurajte prekidač (IL) na**

### napajanju s kontaktima za otvaranje na udaljenosti od najmanje 3 mm i odgovarajućim zaštitnim osiguračem (F).

Električne apsorpcije prikazane su na naljepnici pločice s podacima na jedinici.

Tijekom postavljanja pažljivo pratite shemu ožičenja koja se odnosi na kombinaciju jedinice i upravljačke ploče.

FWP-C + FWEC3A (ugrađeni motor) str. 86

FWP-C + FWEC3A (odvojeni motor) str. 87

FWP-C + FWEC3 str. 88

**BILJEŠKA: Električni kabeli (napajanje i upravljanje) moraju se dovesti do priključne ploče kroz stezaljku kabela koja se nalazi na suprotnoj strani od strane hidrauličkih priključaka.**

**PAŽNJA:** ZAJEDNIČKI kabel motora je BIJELE boje: njegovo pogrešno spajanje uzrokuje nepopravljiva oštećenja motora.

## 5.1 MONTAŽA JEDINICE

### Pričvršćivanje jedinice

Umetnite isporučene antivibracijske držače u 4 utora za pričvršćivanje na strop.

Pričvrstite baznu jedinicu na strop ili zid pomoću 4 predviđena utora.

- Preporuča se korištenje šipki s navojem 8MA, tipla prikladnih za težinu samog uređaja, te za pripremu pozicioniranja uređaja pomoću 3 vijka 8MA (2 u donjem dijelu, 1 u gornjem dijelu kao što je prikazano na slici na str. 85) i dvije podloške za svaku šipku. Prije zatezanja sigurnosne matice, podesite zatvaranje glavne matice tako da uređaj dobije pravilan nagib, odnosno da

se olakša ispuštanje kondenzata (slika str. 85 odvod kondenzata). Ispravan nagib postiže se nagnjanjem usisa prema dolje u odnosu na izlaz, sve dok se ne postigne razlika u visini od oko 10 mm između dva kraja. Priključite hidraulične priključke na izmjenjivač topline, a u slučaju rada u fazi hlađenja na odvod kondenzata. Upotrijebite jedan od dva odvoda spremnika koji se vide s vanjske strane stranica jedinice.

- Za spajanje jedinice na odvod kondenzata upotrijebite fleksibilno gumeno crijevo i pričvrstite ga na odabrano odvodno crijevo (ø 3/8") pomoću metalne stezaljke (koristite odvod koji se nalazi na strani hidrauličnih priključaka).

## 6 FUNKCIONALNA PROVJERA

- Provjerite je li uređaj postavljen tako da je omogućen potreban nagib.
- Provjerite da odvod kondenzata nije blokiran (naslagama krhotina itd.).
- Provjerite nepropusnost hidrauličkih spojeva.
- Provjerite je li električno ožičenje sigurno (izvedite provjeru u odsutnosti napona).
- Provjerite je li zrak ispušten iz izmjenjivača topline.
- Uključite uređaj i provjerite njegov rad.

## 7 KORIŠTENJE

Kako biste koristili jedinicu, pogledajte upute na upravljačkoj ploči, dostupne kao dodatak.

**⚠ PAŽNJA:** Iz sigurnosnih razloga nemojte umetati ruke ili predmete u rešetku za izlaz zraka.

**⚠ OPASNOST:** Uređaj mogu koristiti djeca mlađa od 8 godina i

osobe sa smanjenim fizičkim, osjetilnim ili mentalnim sposobnostima, ili bez iskustva ili potrebnog znanja, sve dok su pod nadzorom ili nakon što su primile upute o sigurnoj uporabi uređaja i razumijevanje s njime povezanih opasnosti. Djeca se ne smiju igrati s uređajem. Čišćenje i održavanje koje namjerava izvesti korisnik ne smiju provoditi djeca bez nadzora.

## 8 ODRŽAVANJE

**Iz sigurnosnih razloga, prije bilo kakvog održavanja ili čišćenja, isključite uređaj postavljanjem prekidača brzine na "Stop", a li-nijskog prekidača na 0 (OFF).**

**⚠ OPASNOST!** Obratite pozornost tijekom održavanja: neki metalni dijelovi mogu uzrokovati ozljede: nosite zaštitne rukavice.

Jedinice s kanalnim razvodima FWP-C održavaju se radnjama koje su ograničene na periodično čišćenje filtra zraka, izmjenjivača

toplina i provjeru učinkovitosti odvoda kondenzata.

**Održavanje može izvesti samo specijalizirano osoblje.**

Pri svakom pokretanju nakon dužeg zaustavljanja provjerite da nema zraka u izmjenjivaču topline.

Motor ne treba održavati jer je opremljen samopodmazivim ležajevima.

### ČIŠĆENJE FILTRA ZRAKA

Isključite jedinicu iz napajanja postavljanjem mrežnog prekidača na 0 (OFF).

Za čišćenje filtra zraka postupite na sljedeći način:

1. Pristupite uređaju putem kontrolne ploče i izvadite zračni filter kako je prikazano na slici (str. 89 Čišćenje zračnog filtra):
2. Ako se pak filter nalazi unutar usisne rešetke, uklonite je i

nastavite s dolje opisanim postupcima.

3. Očistite filter toplom vodom ili, u slučaju suhog praha, komprimiranim zrakom.

4. Ponovno umetnite filter nakon što se osuši.

Dimenzije filtra zraka, pogledajte sliku: str. 84.

### ČIŠĆENJE ZAVOJNICE IZMJENJIVAČA TOPLINE

Preporuča se provjeriti stanje izmjenjivača prije svake ljetne sezone pazeći da krilca nisu blokirana nečistoćama.

Za pristup zavojnici izmjenjivača topline potrebno je ukloniti izlaznu ploču (bilo da je prstenasta ili s pravokutnom prirubnicom), kao i spremnik za prikupljanje kondenzata.

Nakon što dođete do zavojnice, očistite je komprimiranim zrakom ili parom niskog tlaka, bez da oštetite krilca izmjenjivača.

Prije svakog početka ljetnog rada provjerite ispušta li se kondenzat redovito.

**Odgovarajuće i periodično održavanje rezultira energetsom i financijskom uštedom.**

## 9 RJEŠAVANJE KVAROVA

Ako uređaj ne radi ispravno, prije nego što zatražite pomoć od servisa za pomoć, provedite provjere prikazane u donjoj tablici.

Ako se problem ne može riješiti, obratite se najbližem prodavaču ili servisnom centru.

PROBLEM	UZROK	RIJEŠENJE
Jedinica ne radi	Nema napajanja	Vratite napajanje
	Iskočio je osigurač	Zatražite pomoć od službe za korisnike
	Prekidač za pokretanje postavljen je na 0.	Pokrenite stroj postavljanjem prekidača na ON
Uređaj malo zagrijava ili hladi	Filtar zraka je prljav ili začepljen	Očistite filtari zraka
	U blizini usisa ili izlaza za zrak nalazi se prepreka	Uklonite prepreku
	Unutar izmjenjivača topline ima zraka	Zatražite intervenciju instalatera
	Prozori i vrata su otvoreni	Zatvorite vrata i/ili prozore
	Odabrana je minimalna radna brzina	Odaberite srednju ili najveću brzinu
Jedinica "propušta" vodu	Uređaj nije instaliran s pravim nagibom	Zatražite intervenciju instalatera
	Odvod kondenzata je blokiran	Zatražite intervenciju instalatera

# 10 NAZIVNI TEHNIČKI PODATCI

» 2 cijevi

FWP-C			04			05			06			08		
Brzina			min	med	max	min	med	max	min	med	max	min	med	max
Certificirane brzine			2,5,7			1,5,7			1,6,7			1,4,7		
Ulazni napon	(E)	V	2,90	8,00	9,00	4,30	7,50	8,40	4,50	7,40	8,30	5,40	8,30	9,90
Nominalni protok zraka	(E)	m <sup>3</sup> /h	109	246	276	171	275	341	195	360	402	305	532	652
Korisnost statičke glave	(E)	Pa	10	50	63	19	50	77	19	50	63	17	50	75
Potrošnja energije	(E)	W	6	25	33	10	24	39	10	26	35	22	51	77
Najviša dopuštena struja		A	0,32			0,60			0,84			0,84		
Ukupna snaga hlađenja	(1)(E)	kW	0,93	1,76	1,95	1,29	1,95	2,34	1,59	2,74	3,04	1,98	3,26	3,79
Osjetljivost učinkovitosti hlađenja	(1)(E)	kW	0,62	1,25	1,39	0,91	1,39	1,66	1,09	1,91	2,11	1,48	2,48	2,92
Klasa FCEER	(E)		A											
Protok vode	(2)	l/h	161	306	340	222	339	408	274	476	527	343	568	664
Gubitak opterećenja	(2)(E)	kPa	2	5	6	3	6	8	3	7	9	3	8	11
Učinkovitost grijanja	(3)(E)	kW	0,88	1,81	1,99	1,33	1,98	2,35	1,59	2,80	3,10	2,35	3,71	4,31
Klasa FCCOP	(E)		A											
Protok vode	(3)	l/h	153	315	346	231	345	408	276	488	538	408	644	749
Gubitak opterećenja	(3)(E)	kPa	1	4	5	2	5	7	2	6	8	4	9	11
Standardna zavojnica - broj redova			3			3			4			3		
Ukupna zvučna snaga	(4)	dB(A)	28	49	52	39	50	54	39	50	54	38	52	58
Izračena zvučna snaga + usis zraka	(4)(E)	dB(A)	26	47	50	37	48	52	37	48	52	36	50	56
Zvučna snaga pri izlazu zraka	(4)(E)	dB(A)	25	46	49	36	47	51	36	47	51	35	49	55
Sadržaj vode - STD zavojnica		dm <sup>3</sup>	1,20			1,20			2,20			1,60		
Presjek kabela za napajanje	(5)	mm <sup>2</sup>	1,00			1,00			1,00			1,00		
Vrsta kabela za napajanje			N07V-K											
Zaštitni osigurač F		A	1			1			1			1		
Vrsta osigurača			gG											

FWP-C			10			11			15			17		
Brzina			min	med	max	min	med	max	min	med	max	min	med	max
Certificirane brzine			1,6,7			1,6,7			5,6,7			5,6,7		
Ulazni napon	(E)	V	3,40	7,60	8,50	3,40	7,60	8,50	6,80	7,50	8,30	6,80	7,50	8,30
Nominalni protok zraka	(E)	m <sup>3</sup> /h	333	687	760	333	687	760	1050	1163	1289	1050	1163	1289
Korisnost statičke glave	(E)	Pa	12	50	61	12	50	61	40	50	60	40	50	60
Potrošnja energije	(E)	W	11	54	68	11	54	68	105	128	162	105	128	162
Najviša dopuštena struja		A	0,91			0,91			3,52			3,52		
Ukupna snaga hlađenja	(1)(E)	kW	2,29	4,34	4,75	2,51	4,91	5,35	6,28	6,81	7,38	7,04	7,64	8,28
Osjetljivost učinkovitosti hlađenja	(1)(E)	kW	1,67	3,21	3,51	1,77	3,45	3,76	4,64	5,03	5,46	4,96	5,38	5,84
Klasa FCEER	(E)		A			A			C			B		
Protok vode	(2)	l/h	394	753	828	432	850	930	1094	1190	1295	1225	1332	1448
Gubitak opterećenja	(2)(E)	kPa	2	7	8	3	10	12	13	16	18	20	23	26
Učinkovitost grijanja	(3)(E)	kW	2,54	4,76	5,17	2,63	5,03	5,49	6,68	7,22	7,80	7,18	7,80	8,46
Klasa FCCOP	(E)		A			A			B			B		
Protok vode	(3)	l/h	441	827	898	457	875	955	1162	1256	1356	1248	1355	1471
Gubitak opterećenja	(3)(E)	kPa	2	7	8	3	9	11	12	14	16	17	19	22
Standardna zavojnica - broj redova			3			4			3			4		
Ukupna zvučna snaga	(4)	dB(A)	38	55	58	38	55	58	61	63	69	61	63	69
Izračena zvučna snaga + usis zraka	(4)(E)	dB(A)	36	53	56	36	53	56	59	61	67	59	61	67
Zvučna snaga pri izlazu zraka	(4)(E)	dB(A)	35	52	55	35	52	55	58	60	66	58	60	66
Sadržaj vode - STD zavojnica		dm <sup>3</sup>	2,50			3,30			2,50			3,30		
Presjek kabela za napajanje	(5)	mm <sup>2</sup>	1,00			1,00			1,50			1,50		
Vrsta kabela za napajanje			N07V-K											
Zaštitni osigurač F		A	1			1			2			2		
Vrsta osigurača			gG											

(1) Temperatura vode 7°C / 12°C, temperatura zraka 27°C suhi termometar / 19°C mokar termometar (47% relativne vlažnosti) izražena prema EN1397:2015

(2) Temperatura vode 7°C / 12°C, temperatura zraka 27°C suhi termometar / 19°C mokar termometar (47% relativne vlažnosti)

(3) Temperatura vode 45°C / 40°C, temperatura zraka 20°C

(4) Zvučna snaga izmjerena prema ISO 3741 i ISO 3742

(5) Navedeni dio smatra se minimalnim preporučenim dijelom. Odabir kabela mora biti u skladu sa standardom CEI - UNEL 35024/1.

(E) EUROVENT certificirani podaci

Strujno napajanje 230-1-50 (V-ph-Hz)

## » 4 cijevi

FWP-C			04			05			06			08		
Brzina			min	med	max	min	med	max	min	med	max	min	med	max
Certificirane brzine			2,5,7			1,5,7			1,6,7			1,4,7		
Ulazni napon	(E)	V	2,90	7,90	8,90	4,50	7,30	8,90	4,50	7,40	8,30	5,40	8,30	9,90
Nominalni protok zraka	(E)	m <sup>3</sup> /h	109	243	270	170	272	336	195	357	398	302	524	642
Korisnost statičke glave	(E)	Pa	10	50	63	19	50	77	19	50	63	17	50	75
Potrošnja energije	(E)	W	6	25	32	10	23	39	10	26	35	21	50	77
Najviša dopuštena struja		A	0,32			0,60			0,84			0,84		
Ukupna snaga hlađenja	(1)(E)	kW	0,93	1,74	1,91	1,28	1,93	2,31	1,59	2,72	3,01	1,95	3,22	3,75
Osjetljivost učinkovitosti hlađenja	(1)(E)	kW	0,62	1,24	1,36	0,90	1,38	1,64	1,09	1,89	2,09	1,47	2,44	2,89
Klasa FCEER	(E)		A											
Protok vode	(2)	l/h	161	302	333	221	335	404	274	473	522	339	562	656
Gubitak opterećenja	(2)(E)	kPa	2	5	6	3	6	8	3	7	9	3	8	11
Učinkovitost grijanja	(3)(E)	kW	1,14	1,93	2,06	1,55	2,07	2,32	2,09	3,09	3,29	2,80	3,82	4,24
Klasa FCCOP	(E)		A											
Protok vode	(3)	l/h	100	169	180	136	181	204	183	271	288	245	334	371
Gubitak opterećenja	(3)(E)	kPa	1	2	3	2	3	3	2	3	4	3	5	6
Dodatna zavojnica - broj redova			3+1			3+1			4+1			3+1		
Ukupna zvučna snaga	(4)	dB(A)	28	49	52	39	50	54	39	50	54	38	52	58
Izračena zvučna snaga + usis zraka	(4)(E)	dB(A)	26	47	50	37	48	52	37	48	52	36	50	56
Zvučna snaga pri izlazu zraka	(4)(E)	dB(A)	25	46	49	36	47	51	36	47	51	35	49	55
Sadržaj vode - dodatna zavojnica		dm <sup>3</sup>	0,47			0,47			0,59			0,59		
Presjek kabela za napajanje	(5)	mm <sup>2</sup>	1,00			1,00			1,00			1,00		
Vrsta kabela za napajanje			N07V-K											
Zaštitni osigurač F		A	1			1			1			1		
Vrsta osigurača			gG											

FWP-C			10			11			15			17		
Brzina			min	med	max	min	med	max	min	med	max	min	med	max
Certificirane brzine			1,6,7			1,6,7			5,6,7			5,6,7		
Ulazni napon	(E)	V	3,40	7,60	8,50	3,40	7,60	8,50	6,80	7,50	8,30	6,80	7,50	8,30
Nominalni protok zraka	(E)	m <sup>3</sup> /h	333	683	755	333	683	755	1050	1163	1289	1050	1163	1289
Korisnost statičke glave	(E)	Pa	12	50	61	12	50	61	40	50	60	40	50	60
Potrošnja energije	(E)	W	11	54	67	11	54	67	105	128	162	105	128	162
Najviša dopuštena struja		A	0,91			0,91			3,52			3,52		
Ukupna snaga hlađenja	(1)(E)	kW	2,29	4,32	4,72	2,51	4,88	5,32	6,28	6,81	7,38	7,04	7,64	8,28
Osjetljivost učinkovitosti hlađenja	(1)(E)	kW	1,67	3,19	3,48	1,77	3,43	3,74	4,64	5,03	5,46	4,96	5,38	5,84
Klasa FCEER	(E)		A			A			C			B		
Protok vode	(2)	l/h	394	749	822	432	846	925	1094	1190	1295	1225	1332	1448
Gubitak opterećenja	(2)(E)	kPa	2	7	8	3	10	12	13	16	18	20	23	26
Učinkovitost grijanja	(3)(E)	kW	3,40	5,17	5,45	3,40	5,17	5,45	6,42	6,73	7,06	6,42	6,73	7,06
Klasa FCCOP	(E)		A			A			C			C		
Protok vode	(3)	l/h	297	452	477	297	452	477	562	589	618	562	589	618
Gubitak opterećenja	(3)(E)	kPa	6	13	14	6	13	14	19	21	22	19	21	22
Dodatna zavojnica - broj redova			3+1			4+1			3+1			4+1		
Ukupna zvučna snaga	(4)	dB(A)	38	55	58	38	55	58	61	63	69	61	63	69
Izračena zvučna snaga + usis zraka	(4)(E)	dB(A)	36	53	56	36	53	56	59	61	67	59	61	67
Zvučna snaga pri izlazu zraka	(4)(E)	dB(A)	35	52	55	35	52	55	58	60	66	58	60	66
Sadržaj vode - dodatna zavojnica		dm <sup>3</sup>	0,97			0,97			0,97			0,97		
Presjek kabela za napajanje	(5)	mm <sup>2</sup>	1,00			1,00			1,50			1,50		
Vrsta kabela za napajanje			N07V-K											
Zaštitni osigurač F		A	1			1			2			2		
Vrsta osigurača			gG											

(1) Temperatura vode 7°C / 12°C, temperatura zraka 27°C suhi termometar / 19°C mokar termometar (47% relativne vlažnosti) izražena prema EN13197: 2015

(2) Temperatura vode 7°C / 12°C, temperatura zraka 27°C suhi termometar / 19°C mokar termometar (47% relativne vlažnosti)

(3) Temperatura vode 65°C / 55°C, temperatura zraka 20°C

(4) Zvučna snaga izmjerena prema ISO 3741 i ISO 3742

(5) Navedeni dio smatra se minimalnim preporučenim dijelom. Odabir kabela mora biti u skladu sa standardom CEI - UNEL 35024/1.

(E) EUROVENT certificirani podaci

Strujno napajanje 230-1-50 (V-ph-Hz)

# 11 TEŽINE

FWP-C		04	05	06	08	10	11	15	17
2 cijevi	kg	24,4	25,4	33,0	36,0	45,0	45,0	51,0	51,0
4 cijevi	kg	25,8	26,8	34,6	37,6	47,5	47,5	53,5	53,5





# ÁLTALÁNOS TÁRGYMUTATÓ

---

<b>1</b>	<b>A TELEPÍTÉS MEGKEZDÉSE ELŐTT. 14</b>	
<b>2</b>	<b>RENDELTESSZERŰ HASZNÁLAT</b> .....p. 74	
	TELEPÍTÉS HELYE.....p. 74	
<b>3</b>	<b>A BERENDEZÉS LEÍRÁSA</b> .....p. 74	
3.1	MODULÁCIÓ ÉS NAGY HATÁSFOK MENNYZETBE SÜLLYESZTVE.....p. 74	
3.2	FŐ EGYSÉGEK.....p. 75	
	TARTOZÉKOK.....p. 75	
<b>4</b>	<b>MÉRET ADATOK</b> .....p. 76	
<b>5</b>	<b>TELEPÍTÉS</b> .....p. 76	
	TELEPÍTÉSRE VONATKOZÓ FIGYELMEZTETÉSEK.....p. 76	
5.1	EGYSÉG ÖSSZESZERELÉSE.....p. 77	
<b>6</b>	<b>FUNKCIONÁLIS ELLENŐRZÉS</b> .....p. 77	
<b>7</b>	<b>HASZNÁLAT</b> .....p. 78	
<b>8</b>	<b>KARBANTARTÁS</b> .....p. 78	
	LÉGSZŰRŐ TISZTÍTÁSA.....p. 78	
	HŐCSERÉLŐ BLOKK TISZTÍTÁSA.....p. 78	
<b>9</b>	<b>HIBAKERESÉS</b> .....p. 79	
<b>10</b>	<b>NÉVLEGES MŰSZAKI ADATOK</b> .....p. 80	
<b>11</b>	<b>TÖMEG ADATOK</b> .....p. 81	
<b>12</b>	<b>ÁBRA</b> .....p. 82	

HU

## ÜZEMI HATÁRÉRTÉKEK

Hőszállító közeg: **víz**

Víz hőmérséklete: **5 °C ÷ 95 °C**

Levegő hőmérséklete: **-20 °C ÷ 40 °C**

Tápfeszültség: **230 V +/-10 %**

Max üzemi nyomás: **16 bar**

A környezeti levegő relatív páratartalmára vonatkozó  
határérték: **RH<85% nem lecsapódó**

# 1 A TELEPÍTÉS MEGKEZDÉSE ELŐTT

Figyelmesen olvassa el az utasítást!

A készülék beszerelését és karbantartását kizárólag szakképzett, ennek a készüléknek a beszerelésére képesített szakember végezheti, az érvényben levő előírások betartásával.

A készülék átvételekor, ellenőrizze állapotát, győződjön meg arról,

hogyan nem sérült-e meg szállítás során.

A tartozékok beszerelését és használatát lásd a külön műszaki adatlapokon.

Azonosítsa be FWP- C fan-coil készülékének modelljét a csomagoláson található jelzések alapján.

## BIZTONSÁGI JELZÉSEK



**Figyelmesen olvassa el az utasítást!**



**Figyelem**



**Használjon egyéni védőeszközöket**

## HASZNÁLJON MEGFELELŐ EGYÉNI VÉDŐFELSZERELÉSEKET (KESZTŰ HŰTŐFOLYADÉKHOZ, SZEMŰVEG)

a vonatkozó jogszabályoknak. Az egységeket egy speciális feldolgozó létesítményben kell kezelni az újrafelhasználás, az újrahasznosítás és érdekében. A termék megfelelő ártalmatlanításának biztosításával segít megelőzni a környezetre és az emberi egészségre gyakorolt lehetséges negatív következményeket. További információért forduljon a telepítőhöz vagy a helyi hatóságához.

**FIGYELEM:** az egység nem tartalmaz veszélyes alkatrészeket az 1357/2014 rendelet szerinti besorolás szerint.



**FIGYELEM:** Az elektromos és elektronikus termékeket nem szabad összekeverni a nem válogatott háztartási hulladékkal. NE próbálja meg saját maga szétszerelni a rendszert: a rendszer szétszerelését, az olaj és más alkatrészek kezelését egy felhatalmazott szerelőnek kell elvégeznie, és meg kell felelnie

# 2 RENDELTETÉSSZERŰ HASZNÁLAT

A Daikin nem vállal semmilyen felelősséget abban az esetben, ha a készüléket nem hozzáértő szakember szerelte be, nem rendeltetésszerűen illetve nem a gyártó által megengedett üzemi körülmények között használja, az útmutatóban meghatározott karbantartást

nem végzi el, nem eredeti pótalkatrészeket használ.

\*„A környezeti levegő klimatizálására tervezett és lakossági kényelmi alkalmazásokban való használatra szánt berendezések.

## TELEPÍTÉS HELYE

A beszerelés helyének kiválasztásánál vegye figyelembe a következőket:

- A klímakészüléket ne helyezze közvetlenül dugalj alá
- készüléket ne szerelje olyan helyiségbe, amelyben gyúlékony gázok vagy porok vannak
- ne tegye ki a készüléket fröccsenő víznek; ne telepítse a mosókonyhába

- a fan-coil készüléket olyan falra vagy mennyezetre szerelje fel, amely elbírja a súlyát, és hagyjon körülötte elegendő teret ahhoz, hogy biztosítsa a megfelelően működést, és lehetővé tegye a karbantartás elvégzését
- beszerelésig eredeti csomagolásában őrizze meg a készüléket, hogy ne kerüljön por a belsejébe

# 3 A BERENDEZÉS LEÍRÁSA

## MODULÁCIÓ ÉS NAGY HATÁSFOK MENNYEZETBE SÜLLYESZTVE

A FWP-C a villanymotorokon alkalmazott EC inverter technológiával teszi teljessé a termékskálát. A FWP-C hozzáadódik a kefe nélküli motor előnyei, ami alacsonyabb energiafelhasználást, és ezzel alacsonyabb CO<sub>2</sub> kibocsátást jelent, valamint a légáram modulációjának köszönhetően rugalmasabb üzemelést és a hő- és nedvességérzet komfortjának növekedését valamint alacsonyabb zajszintet. A termékskála 8 modellt tartalmaz, melyek 300 és 1200 m<sup>3</sup>/h közötti

légáramtartományt fednek le.

A légáram folyamatos modulációja és a nagy hatásfokú hőcserélők használata lehetővé teszi, hogy mérsékelt levegő- és víz hőmérséklet-eltéréssel is képes legyen működni. Ezen túl optimalizálni lehet a hőcserélők keringetését központi alkalmazásokhoz, mint a district cooling.

## FŐ EGYSÉGEK

### Szerkezet

1. tűzvédelmi osztályú öntött panelekkel hő- és hangszigetelt, horganyzott acéllemezből készült. Kis méret, mely segíti a vízszintes beszerelést az álmennyezetbe. A készülékhez tartozik csepptálca és cseppvíz-elvezetés.

A nagy csepptálca a készülék belsejében található, az elvezetéshez képest túlnyomással működik, hogy megkönnyítse a cseppvíz elvezetését.

### Hőcserélő blokk

Alapfelszereltség 3 soros, kérésre 4 soros, nagy hatékonyságú, rézcsőben és alumínium lamellákban, amelyek mechanikus expanzióval vannak a csövekhez rögzítve. Sárgaréz csőcsonkokkal és légtelenítő szeleppel szerelve. A hőcserélő alapesetben bal oldali bekötésre van szerelve, de 180°-kal el lehet forgatni. Igény esetén rendelhetők district cooling alkalmazásokra optimalizált nagy hatásfokú hőcserélők.

### Ventilátorok

ABS vagy alumínium anyagú, két oldalról szívó, első lapátú, statikusan és dinamikus kiegyensúlyozott, közvetlenül a villanymotorhoz

csatlakoztatott centrifugális ventilátorok.

### Motor EC

Állandómágneses motor A készülék motorvezérlő inverter kártyával rendelkezik, ami lehetővé teszi a forgássebesség pontos beállítását (0-10V-os vezérlőjel).

### Levegőszűrő

Szívóoldalon elhelyezett, lentről kihúzható, akrilszálal, felújítható, G3 szűrőosztályú levegőszűrő.

### Levegő elszívás

Levegő elszívás a gép elülső vagy alsó részéről, a rendszer követelményeknek megfelelően.

### Példa beszerelésre

A vázszerkezet lehetővé teszi, hogy frisslevegő-szívó és nyomóoldalon kiegészítők széles skáláját kombinálja, míg meg nem kapja az optimális készüléket.

## TARTOZÉKOK

### Mikroprocesszoros elektronikus vezérlőpanelek, kijelzővel ellátott

<b>FWEC3AP</b>	Tápkártya az FWCS vezérléshez
<b>FWEC3AC</b>	Felhasználói felület kijelzővel az FWCS vezérléshez
<b>FWEC3AA</b>	Mikroprocesszoros vezérlés FWEC3AA kijelzővel
<b>FWH3KA</b>	Páratartalom szonda az FWEC 2, FWEC3AA, FWEC3 vezérlőkhöz
<b>FWTSKA</b>	Vízszonda az FWEC, FWEC3 parancsokhoz

### Kiegészítő kondenzvíz gyűjtő tálcák, szigetelő burkolat, kondenzvíz-elvezető szivattyú

<b>CDRP1A</b>	Kondenz elvezető szivattyú készlet
---------------	------------------------------------

### Elektromos ellenállások

<b>EH</b>	Elektromos ellenállás szerelőkészlettel, relé dobozzal és biztonsági eszközökkel
-----------	--

### Egyéb tartozékok

<b>EDPD</b>	Kiegészítő kondenzvízgyűjtő tálca
<b>EPIMSB6</b>	Csoportvezérlő interfész maximum 4 fan-coil párhuzamos bekötéséhez egyetlen vezérlőegységre

### Szelepek

2 utas szelep, ON/OFF vagy MODULÁLÓ működtetők, 230 V vagy 24 V tápegység, hidraulikus készletek, kiegészítő akkumulátorhoz
2 utas szelep, ON/OFF vagy MODULÁLÓ működtetők, 230 V vagy 24 V tápegység, hidraulikus készletek, akkumulátorhoz
3 utas szelep, ON/OFF vagy MODULÁLÓ működtetők, 230 V vagy 24 V tápegység, hidraulikus készletek, kiegészítő akkumulátorhoz
3 utas szelep, ON/OFF vagy MODULÁLÓ működtetők, 230 V vagy 24 V tápegység, hidraulikus készletek, fő akkumulátorhoz
2-utas nyomástól független szelepek, ON/OFF vagy MODULÁLÓ hajtóművek, 230V vagy 24V tápegység, hidraulikus készletek, fő- és kiegészítő tekercshez

## 4 MÉRET ADATOK

A 82.-83. ábra az FWP-C méretadatait és a hidraulikus csatlakozások helyzetét mutatja.

## 5 TELEPÍTÉS

**FIGYELEM!** a készülék beszerelését és beindítását hozzáértő személyeknek kell elvégezniük, a helyes gépészeti eljárásokra vonatkozó szabályok szerint és a hatályos törvényeknek megfelelően.

**FIGYELEM!** A légcSATORNÁZHATÓ készüléket, a kismegszakítót (IL) és/vagy az esetleges távirányítókat olyan helyre szerelje fel, ahol a fürdőkádban vagy a zuhanykabinban tartózkodó emberek nem tudják elérni.

**FIGYELMEZTETÉS:** Javasoljuk, hogy az esetleges tartozékokat a műszaki adatlapoknak megfelelően az alapkészülékre az előtt szerelje fel, hogy beállítaná a helyére. A szívó- és a nyomóoldal

négyszögletes keresztmetszetű, a rendelhető tartozékok rögzítésére szolgáló előzetesen kialakított furatokkal.

A hőcserélő csatlakozóit a másik oldalra lehet forgatni, a következő módon (p. 84):

- szerelje le a szemközti oldal felső panelét.
- szerelje le a csepptálcát.
- csavarja ki a rögzítő csavarokat (oldalanként 2 van), és szerelje le a hőcserélőt.
- forgassa el 180°-kal (a függőleges tengelyen) a hőcserélőt, majd ismételten rögzítse az egységhez.
- szerelje vissza a csepptálcát és a záróelemet.

### TELEPÍTÉSRE VONATKOZÓ FIGYELMEZTETÉSEK

Néhány szabály, amit be kell tartania

- A hőcserélő csatlakozói mellett található légtelenítő szelepekkel légtelenítse a hőcserélőt, amikor a szivattyúk állnak.
- A légcSATORNÁKAT, különösen a nyomóoldalon találhatóakat, páralecsapódás gátló anyaggal szigetelni kell.
- Gondoskodjon arról, hogy a készülék közelében legyen egy szerelőpanel, a karbantartás és a tisztítás elvégzésére.
- Az egység telepítéséhez vegye figyelembe a műszaki és tervezési előírásokat, végezzen kiértékelést az előremenő körön alkalmazott CSATORNÁZÁS által biztosított levegőmozgást és ELLENNYOMÁST, ezzel elkerülve a sebesség váltás hiánya miatt fellépő problémát: felelősség, amely nem a termékre, hanem a telepítésre hárulhat;
- Telepítse az egységet a fancoilok rendes és rendkívül karbantartásához szükséges vizsgálóablakkal: mechanikai, elektromos és hidraulikus jellegű csere beavatkozások érdekében;
- A vezérlőegységet a falra szerelje fel; könnyen hozzáférhető helyet válasszon, hogy be tudja állítani a különböző funkciókat, és olyat, ami megfelel a hőmérséklet érzékelésére - amennyiben van ilyen. Kerülje a közvetlen napsugárzásnak, hideg vagy meleg levegőáramnak kitett helyeket, és ne állítson olyan akadályokat, amelyek meggátolják a hőmérséklet helyes mérését.

#### **FIGYELMEZTETÉS:**

„Normál üzemmódban, elsősorban kis fordulatszámokon üzemelő ventilátor és nagy relatív páratartalmú környezeti levegő esetén a légjáratokban, valamint a készülék külső szerkezetének egyes részeiben páralecsapódás jelentkezhet.

Az ilyen jelenségek elkerülése végett - minden esetben a készülékre meghatározott üzemi értéktartományokon belül maradván a hőcserélő belsejében keringő víz hőmérsékletét nem szabad egy bizonyos határ alá engedni. Különösen fontos, hogy a levegő harmatponti hőmérséklete ( $T_{A,DP}$ ) és az átlagos vízhőmérséklet ( $T_W$ ) közötti különbség NEM haladhatja meg a 14 °C-ot, az alábbi számítás alapján:  **$T_W > T_{A,DP} - 14 \text{ °C}$**

**Példa:** a 25°C-os és 75% relatív páratartalmú környezeti levegő esetén a harmathőmérséklet értéke körülbelül 20°C, ezért a tekercsbe belépő víz hőmérsékletének magasabbnak kell lennie, mint:

- $20 - 14 = 6 \text{ °C}$ , hogy elkerülje a páralecsapódást a szeleppel ellátott ventilátor tekercsen.
- $20 - 12 = 8 \text{ °C}$ , ha a szelepkészlet tartozéka nem telepíthető.

		Fan coil szeleppel						
		T száraz izzó levegő [° C]						
		21	23	25	27	29	31	33
Relatív páratartalom %	40	5	5	5	5	5	5	5
	50	5	5	5	5	5	6	8
	60	5	5	5	5	7	9	11
	70	5	5	6	8	9	11	13
	80	5	6	8	10	12	14	16
	90	6	8	10	12	14	16	18

		Fan coil szeleppel						
		T száraz izzó levegő [° C]						
		21	23	25	27	29	31	33
Relatív páratartalom %	40	6	6	6	6	6	6	6
	50	6	6	6	6	6	8	10
	60	6	6	6	7	9	11	13
	70	6	6	8	10	11	13	15
	80	6	8	10	12	12	16	18
	90	8	10	12	14	14	18	20

A berendezés hosszabb idejű leállása esetén, ha a ventilátor áll, és a hőcserélőben hideg víz marad, a készülék külső felületén is páralecsapódás fordulhat elő. Ennek elkerülése céljából ajánlatos 3 utas (vagy 2 utas) kiegészítő szelepet felszerelni, mellyel a ventilátor leállása esetén a hőcserélő hidegvíz ellátása megszakítható

Amennyiben télre leállítja a készüléket, eressze le a berendezésben található vizet, hogy meg ne fagyhasson, és megfagyott víz ne károsíthassa a készüléket; amennyiben fagyálló folyadékot használ, ellenőrizze a fagyáspontját a következő táblázat segítségével.

tömeg % glikol	Fagyás hőmérséklet (°C)	Teljesítményváltozás	Terhelés veszteség változás
0	0	1,00	1,00
10	-4	0,97	1,05
20	-10	0,92	1,10
30	-16	0,87	1,15
40	-24	0,82	1,20

## Elektromos bekötések

Az elektromos bekötéseket a hatályos biztonsági előírásoknak megfelelően mindig feszültségmentes környezetben végezze el.

A vezetékek bekötését kizárólag szakemberek végezhetik el.

**Minden fan-coil készüléknek legyen saját kapcsolója (IL) a táphálózaton, legalább 3 mm-es távolságú érintkezőkkel és megfelelő olvadóbiztosítóval (F).**

Az áramfelvétel a készüléken elhelyezett adattáblán van feltüntetve. Felszereléskor szigorúan kövesse a készülék - vezérlőegység

kombinációjára vonatkozó kapcsolási rajzot.

FWP-C + FWEC3A (beépített motor) 86.

FWP-C + FWEC3A (külön motor) 87.

FWP-C + FWEC3 p. 88

**FONTOS: Az elektromos vezetékeket (tápvetékek és vezérlés) a hidraulikacsatlakozásokkal ellentétes oldalon található kábelkapcsokon keresztül vezesse a kapcsolóhoz.**

**FIGYELEM:** A motor KÖZÖS vezetéke a FEHÉR: ha nem megfelelően köti be, javíthatatlan károkat okozhat a motorban.

## 5.1 EGYSÉG ÖSSZESZERELÉSE

### Egység rögzítése

Helyezze a készülékhez adott rezgéscsillapítókat a mennyezetre rögzítésre szolgáló 4 felfogási helyre.

Rögzítse az alapegységet a mennyezethez vagy a falhoz a 4 mellékelt felfogási hely segítségével.

- Javasoljuk, hogy használjon 8MA menetes rudakat, a készülék súlyának megfelelő méretezésű dübeleket, és a készülék beállításának előkészítéséhez használjon 3 db 8MA csavart (a p. 85. ábrán látható módon 2 db-ot használjon az alsó és 1 db-ot a felső részen) és mindegyik rúdhoz használjon két alátétet. A rögzítőanya meghúzása előtt állítsa be a főanya zárását úgy,

hogy a készülék megfelelő lejtést kapjon, azaz megkönnyítse a kondenzátum leeresztését (85. ábra.). A lejtés akkor megfelelő, ha a szívóoldal széle a nyomóoldal szélénél körülbelül 10 mm-rel lejjebb van. Kösse be a hőcserélő hidraulikacsatlakozásait, és amennyiben hűtés üzemmódban használja a cseppvíz-elvezetést is csatlakoztassa. A csepptálca két elvezetése a készülék oldalán kívül látható, ezek közül használja az egyiket.

- A készülék bekötéséhez a cseppvíz-elvezetésbe használjon gumigégecsövet, és rögzítse a választott cseppvíz-elvezető csőhöz (ø 3/8") egy fémbilincsel (a hidraulikacsatlakozók oldalán található elvezetőt használja).

## 6 FUNKCIONÁLIS ELLENŐRZÉS

- Ellenőrizze, hogy a készülék a szükséges lejtéssel lett-e felszerelve.
- Ellenőrizze, hogy a cseppvíz-elvezetés ne legyen eltömődve (pl. építési törmelékkel, stb.)
- Ellenőrizze a hidraulikacsövek vízzáróságát.
- Ellenőrizze az elektromos vezetékek csatlakozásait (az ellenőrzést feszültségmentes környezetben végezze el).
- Győződjön meg arról, hogy a hőcserélőből kieresztette-e a levegőt.
- Helyezze feszültség alá a készüléket, és ellenőrizze a működését.

## 7 HASZNÁLAT

A készülék használatához olvassa el a kezelőpanel utasításait, amelyek tartozékként kaphatók.

**⚠ FIGYELEM:** Biztonsági okokból soha ne nyúljon kezével illetve ne tegyen tárgyakat a légkifúvó rácsába.

**⚠ VESZÉLY:** A készüléket 8 évnél nem fiatalabb gyermekek használhatják, és csökkent fizikai, érzékszervi vagy mentális

képességű vagy tapasztalattal és szükséges ismerettel nem rendelkező személyek csak abban az esetben, ha felügyelet alatt állnak, és ha útmutatást kaptak a készülék biztonságos használatára és a használatból eredő veszélyek megértésére vonatkozóan. Gyermekek a készülékkel nem játszhatnak. A felhasználó által végzett tisztítást és karbantartást gyermekek karbantartás nélkül nem végezhetik.

## 8 KARBANTARTÁS

**Biztonsági okokból, a karbantartás és a tisztítás megkezdése előtt, kapcsolja ki a készüléket, ehhez állítsa a fokozatkapcsolót „Leállítás” és a kismegszakítót 0 (OFF) állásba.**

**⚠ VESZÉLY!** Karbantartás közben ügyeljen a következőkre: a berendezés egyes fém részei sérülést okozhatnak, ezért viseljen védőkesztyűt.

A FWP-C légszűrőcsere fan-coilok minimális karbantartást igényelnek, elegendő a levegőszűrőt, a hőcserélőt rendszeres

időközönként megtisztítani és a cseppvíz-elvezetés hatékonyságát ellenőrizni.

**A karbantartást csak hozzáértő szakember végezheti el.**

Hosszabb leállás után minden újraindításnál győződjön meg arról, hogy ne legyen levegő a hőcserélőben.

A motor, mivel önkenő csapágyas, nem igényel semmilyen karbantartást.

### LÉGSZŪRŐ TISZTÍTÁSA

A kismegszakítót állítsa 0 (OFF) állásba, ezzel áramtalanítsa az egységet.

A levegőszűrőt a következő módon tisztítsa meg:

1. Lépjen be a készülékbe az ellenőrzőpanelen keresztül, és vegye ki a levegőszűrőt az ábrán látható módon (89. oldal A levegőszűrő tisztítása):

2. Ha a szűrő a szívóoldali rácson belül található, vegye le a rácsot, és végezze el a következőkben leírt műveleteket.

3. Langyos vízzel tisztítsa meg a szűrőt. Amennyiben rá van száradva a por, használjon sűrített levegőt.

4. Hagyja megszáradni a szűrőt, majd tegye vissza a helyére.

A légszűrő méretei, lásd az ábrát: p. 84.

### HŐCSERÉLŐ BLOKK TISZTÍTÁSA

Javasoljuk, hogy minden évben, a nyári szezon előtt ellenőrizze a hőcserélő állapotát, és nézze meg, hogy a lamellák nincsenek-e eltömődve szennyeződéssel.

Távolítsa el a nyomóoldali burkolatot (akár körkörös peremmel akár négyzetes karimával rendelkezik) és a cseptálcát, hogy hozzáérjen a hőcserélőhöz.

Miután elérte a hőcserélőt, tisztítsa meg alacsony nyomású sűrített levegővel vagy gőzzel, hogy a hőcserélő lamellái ne sérüljenek meg.

A nyári üzemmód megkezdése előtt, ellenőrizze, hogy a cseppvíz-elvezetés megfelelő-e.

**A megfelelő rendszeres karbantartás kisebb fogyasztást és gazdaságosabb üzemelést jelent.**

## 9 HIBAKERESÉS

Ha a készülék nem működik megfelelően, mielőtt a szervizhez fordulna, végezze el az alábbi táblázatban feltüntetett ellenőrzéseket.

Amennyiben nem tudja a problémát elhárítani, forduljon a forgalmazóhoz vagy a legközelebbi márkaszervizhez.

PROBLÉMA	OK	MEGOLDÁS
Az egység nem működik	Nincs áram	Állítsa helyre az áramellátást
	Az érintésvédelmi relé oldott ki	Forduljon a márkaszervizhez
	Az indítókapcsoló 0 állásban van.	Állítsa kapcsolót ON állásba, és indítsa el a gépet
A készülék nem fűt vagy hűt eléggé	A levegőszűrő piszkos vagy eltömődött	Tisztítsa meg a levegő szűrőt
	A levegőbemenet vagy -kimenet közelében valamilyen mechanikai akadály van	Távolítsa el az akadályt
	Levegő van a hőcserélőben	Kérje a beszerelést végző szakember segítségét
	Az ablakok és az ajtók nyitva vannak	Zárja be az ajtókat és/vagy ablakokat
	Minimum sebesség van kiválasztva	Válassza a közepes vagy a maximum sebességfokozatot
A készülék „csöpög”	A készülék nem a megfelelő lejtéssel lett felszerelve.	Kérje a beszerelést végző szakember segítségét
	A kondenz elvezető eltömődött	Kérje a beszerelést végző szakember segítségét

# 10 NÉVLEGES MŰSZAKI ADATOK

» 2 csöves

FWP-C			04			05			06			08		
Sebesség			min	med	max	min	med	max	min	med	max	min	med	max
Tanúsított sebességfokozatok			2,5,7			1,5,7			1,6,7			1,4,7		
Bemeneti feszültség	(E)	F	2,90	8,00	9,00	4,30	7,50	8,40	4,50	7,40	8,30	5,40	8,30	9,90
Névleges légáram	(E)	m <sup>3</sup> /h	109	246	276	171	275	341	195	360	402	305	532	652
Felhasználható statikus nyomás	(E)	Pa	10	50	63	19	50	77	19	50	63	17	50	75
Felvett teljesítmény	(E)	W	6	25	33	10	24	39	10	26	35	22	51	77
Maximális áramfelvétel		A	0,32			0,60			0,84			0,84		
Összes hűtőteljesítmény	(1)(E)	kW	0,93	1,76	1,95	1,29	1,95	2,34	1,59	2,74	3,04	1,98	3,26	3,79
Érezhető hűtőteljesítmény	(1)(E)	kW	0,62	1,25	1,39	0,91	1,39	1,66	1,09	1,91	2,11	1,48	2,48	2,92
FCEER besorolás	(E)		A											
Vízáram	(2)	l/h	161	306	340	222	339	408	274	476	527	343	568	664
Nyomásvesztés	(2)(E)	kPa	2	5	6	3	6	8	3	7	9	3	8	11
Fűtőteljesítmény	(3)(E)	kW	0,88	1,81	1,99	1,33	1,98	2,35	1,59	2,80	3,10	2,35	3,71	4,31
FCCOP besorolás	(E)		A											
Vízáram	(3)	l/h	153	315	346	231	345	408	276	488	538	408	644	749
Nyomásvesztés	(3)(E)	kPa	1	4	5	2	5	7	2	6	8	4	9	11
Standard hőcserélő - sorok száma			3			3			4			3		
Teljes hangteljesítményszint	(4)	dB(A)	28	49	52	39	50	54	39	50	54	38	52	58
Sugárzott hangteljesítményszint + légbeszívás	(4)(E)	dB(A)	26	47	50	37	48	52	37	48	52	36	50	56
Hangteljesítményszint kifújjásnál	(4)(E)	dB(A)	25	46	49	36	47	51	36	47	51	35	49	55
Víztartalom - STD hőcserélő		dm <sup>3</sup>	1,20			1,20			2,20			1,60		
Áramellátó vezetékek keresztmetszete	(5)	mm <sup>2</sup>	1,00			1,00			1,00			1,00		
Tápkábel típusa			N07V-K											
F Olvadóbiztosító		A	1			1			1			1		
Biztosíték típusa			gG											

FWP-C			10			11			15			17		
Sebesség			min	med	max	min	med	max	min	med	max	min	med	max
Tanúsított sebességfokozatok			1,6,7			1,6,7			5,6,7			5,6,7		
Bemeneti feszültség	(E)	F	3,40	7,60	8,50	3,40	7,60	8,50	6,80	7,50	8,30	6,80	7,50	8,30
Névleges légáram	(E)	m <sup>3</sup> /h	333	687	760	333	687	760	1050	1163	1289	1050	1163	1289
Felhasználható statikus nyomás	(E)	Pa	12	50	61	12	50	61	40	50	60	40	50	60
Felvett teljesítmény	(E)	W	11	54	68	11	54	68	105	128	162	105	128	162
Maximális áramfelvétel		A	0,91			0,91			3,52			3,52		
Összes hűtőteljesítmény	(1)(E)	kW	2,29	4,34	4,75	2,51	4,91	5,35	6,28	6,81	7,38	7,04	7,64	8,28
Érezhető hűtőteljesítmény	(1)(E)	kW	1,67	3,21	3,51	1,77	3,45	3,76	4,64	5,03	5,46	4,96	5,38	5,84
FCEER besorolás	(E)		A			A			C			B		
Vízáram	(2)	l/h	394	753	828	432	850	930	1094	1190	1295	1225	1332	1448
Nyomásvesztés	(2)(E)	kPa	2	7	8	3	10	12	13	16	18	20	23	26
Fűtőteljesítmény	(3)(E)	kW	2,54	4,76	5,17	2,63	5,03	5,49	6,68	7,22	7,80	7,18	7,80	8,46
FCCOP besorolás	(E)		A			A			B			B		
Vízáram	(3)	l/h	441	827	898	457	875	955	1162	1256	1356	1248	1355	1471
Nyomásvesztés	(3)(E)	kPa	2	7	8	3	9	11	12	14	16	17	19	22
Standard hőcserélő - sorok száma			3			4			3			4		
Teljes hangteljesítményszint	(4)	dB(A)	38	55	58	38	55	58	61	63	69	61	63	69
Sugárzott hangteljesítményszint + légbeszívás	(4)(E)	dB(A)	36	53	56	36	53	56	59	61	67	59	61	67
Hangteljesítményszint kifújjásnál	(4)(E)	dB(A)	35	52	55	35	52	55	58	60	66	58	60	66
Víztartalom - STD hőcserélő		dm <sup>3</sup>	2,50			3,30			2,50			3,30		
Áramellátó vezetékek keresztmetszete	(5)	mm <sup>2</sup>	1,00			1,00			1,50			1,50		
Tápkábel típusa			N07V-K											
F Olvadóbiztosító		A	1			1			2			2		
Biztosíték típusa			gG											

- (1) Víz hőmérséklete 7°C / 12°C, 27°C száraz léghőmérséklet / 19°C nedves léghőmérséklet (47% relatív páratartalom) EN1397:2015 szerint  
 (2) Víz hőmérséklete 7°C / 12°C, 27°C száraz léghőmérséklet / 19°C nedves léghőmérséklet (47% relatív páratartalom)  
 (3) Víz hőmérséklete 45°C / 40°C, levegő hőmérséklete 20°C  
 (4) ISO 3741 és ISO 3742 szerint mért hangteljesítményszint  
 (5) A feltüntetett szakaszt a minimálisan ajánlott szakasznak kell tekinteni. A kábeleket a CEI - UNEK 35024/1 szabványnak megfelelően kell megválasztani.  
 (E) EUROVENT által tanúsított adatok  
 Elektromos tápellátás 230-1-50 (V-ph-Hz)



» 4 csöves

FWP-C			04			05			06			08		
Sebesség			min	med	max	min	med	max	min	med	max	min	med	max
Tanúsított sebességfokozatok			2,5,7			1,5,7			1,6,7			1,4,7		
Bemeneti feszültség	(E)	F	2,90	7,90	8,90	4,50	7,30	8,90	4,50	7,40	8,30	5,40	8,30	9,90
Névleges légáram	(E)	m³/h	109	243	270	170	272	336	195	357	398	302	524	642
Felhasználható statikus nyomás	(E)	Pa	10	50	63	19	50	77	19	50	63	17	50	75
Felvett teljesítmény	(E)	W	6	25	32	10	23	39	10	26	35	21	50	77
Maximális áramfelvétel		A	0,32			0,60			0,84			0,84		
Összes hűtőteljesítmény	(1)(E)	kW	0,93	1,74	1,91	1,28	1,93	2,31	1,59	2,72	3,01	1,95	3,22	3,75
Érezhető hűtőteljesítmény	(1)(E)	kW	0,62	1,24	1,36	0,90	1,38	1,64	1,09	1,89	2,09	1,47	2,44	2,89
FCEER besorolás	(E)		A											
Vízáram	(2)	l/h	161	302	333	221	335	404	274	473	522	339	562	656
Nyomásvesztés	(2)(E)	kPa	2	5	6	3	6	8	3	7	9	3	8	11
Fűtőteljesítmény	(3)(E)	kW	1,14	1,93	2,06	1,55	2,07	2,32	2,09	3,09	3,29	2,80	3,82	4,24
FCCOP besorolás	(E)		A											
Vízáram	(3)	l/h	100	169	180	136	181	204	183	271	288	245	334	371
Nyomásvesztés	(3)(E)	kPa	1	2	3	2	3	3	2	3	4	3	5	6
Kiegészítő hőcserélő - sorok száma			3+1			3+1			4+1			3+1		
Teljes hangteljesítményszint	(4)	dB(A)	28	49	52	39	50	54	39	50	54	38	52	58
Sugárzott hangteljesítményszint + légbeszívás	(4)(E)	dB(A)	26	47	50	37	48	52	37	48	52	36	50	56
Hangteljesítményszint kifújásnál	(4)(E)	dB(A)	25	46	49	36	47	51	36	47	51	35	49	55
Víztartalom - kiegészítő hőcserélő		dm³	0,47			0,47			0,59			0,59		
Áramellátó vezetékek keresztmetszete	(5)	mm²	1,00			1,00			1,00			1,00		
Tápkábel típusa			N07V-K											
F Olvadóbiztosító		A	1			1			1			1		
Biztosíték típusa			gG											

FWP-C			10			11			15			17		
Sebesség			min	med	max	min	med	max	min	med	max	min	med	max
Tanúsított sebességfokozatok			1,6,7			1,6,7			5,6,7			5,6,7		
Bemeneti feszültség	(E)	F	3,40	7,60	8,50	3,40	7,60	8,50	6,80	7,50	8,30	6,80	7,50	8,30
Névleges légáram	(E)	m³/h	333	683	755	333	683	755	1050	1163	1289	1050	1163	1289
Felhasználható statikus nyomás	(E)	Pa	12	50	61	12	50	61	40	50	60	40	50	60
Felvett teljesítmény	(E)	W	11	54	67	11	54	67	105	128	162	105	128	162
Maximális áramfelvétel		A	0,91			0,91			3,52			3,52		
Összes hűtőteljesítmény	(1)(E)	kW	2,29	4,32	4,72	2,51	4,88	5,32	6,28	6,81	7,38	7,04	7,64	8,28
Érezhető hűtőteljesítmény	(1)(E)	kW	1,67	3,19	3,48	1,77	3,43	3,74	4,64	5,03	5,46	4,96	5,38	5,84
FCEER besorolás	(E)		A			A			C			B		
Vízáram	(2)	l/h	394	749	822	432	846	925	1094	1190	1295	1225	1332	1448
Nyomásvesztés	(2)(E)	kPa	2	7	8	3	10	12	13	16	18	20	23	26
Fűtőteljesítmény	(3)(E)	kW	3,40	5,17	5,45	3,40	5,17	5,45	6,42	6,73	7,06	6,42	6,73	7,06
FCCOP besorolás	(E)		A			A			C			C		
Vízáram	(3)	l/h	297	452	477	297	452	477	562	589	618	562	589	618
Nyomásvesztés	(3)(E)	kPa	6	13	14	6	13	14	19	21	22	19	21	22
Kiegészítő hőcserélő - sorok száma			3+1			4+1			3+1			4+1		
Teljes hangteljesítményszint	(4)	dB(A)	38	55	58	38	55	58	61	63	69	61	63	69
Sugárzott hangteljesítményszint + légbeszívás	(4)(E)	dB(A)	36	53	56	36	53	56	59	61	67	59	61	67
Hangteljesítményszint kifújásnál	(4)(E)	dB(A)	35	52	55	35	52	55	58	60	66	58	60	66
Víztartalom - kiegészítő hőcserélő		dm³	0,97			0,97			0,97			0,97		
Áramellátó vezetékek keresztmetszete	(5)	mm²	1,00			1,00			1,50			1,50		
Tápkábel típusa			N07V-K											
F Olvadóbiztosító		A	1			1			2			2		
Biztosíték típusa			gG											

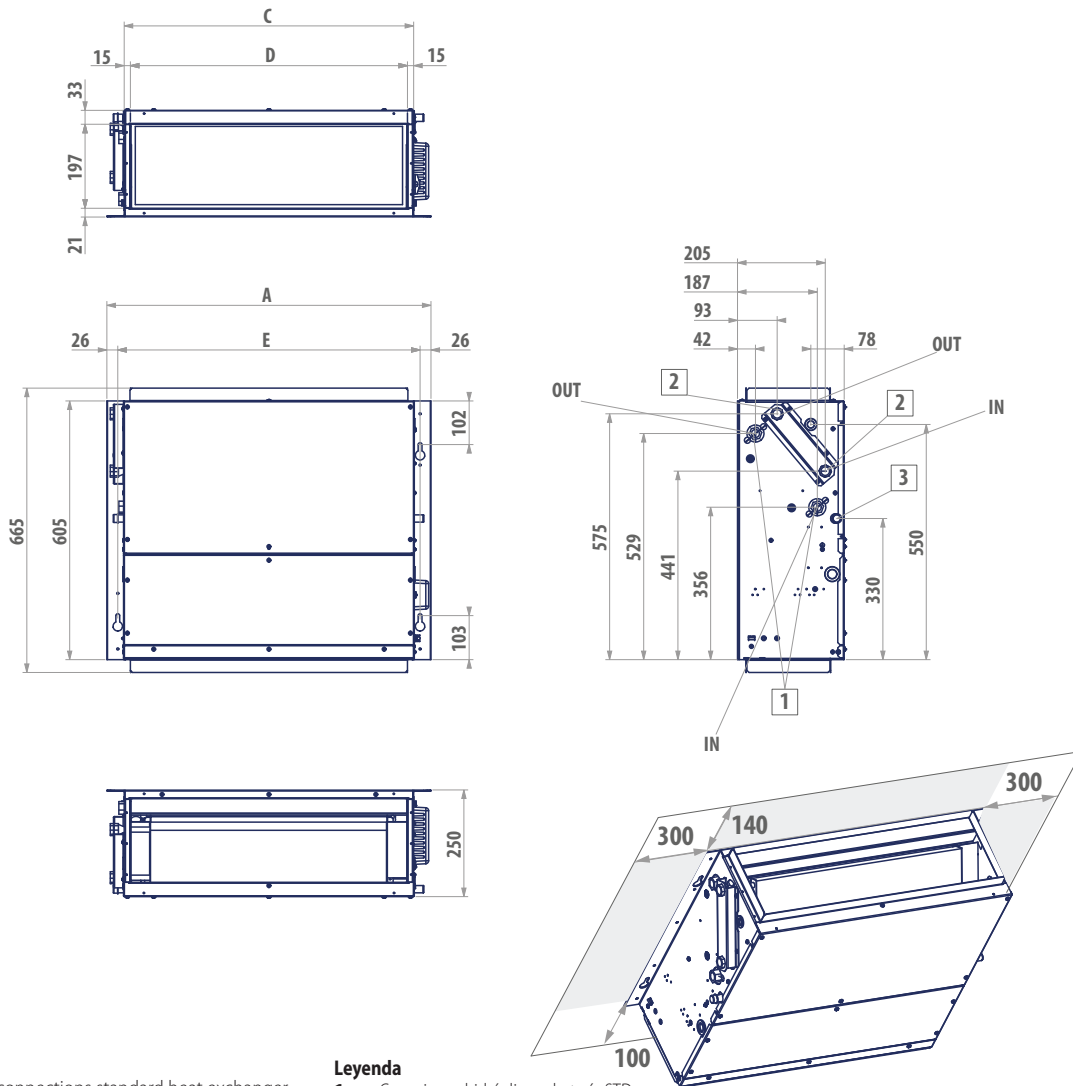
- (1) Víz hőmérséklete 7°C / 12°C, 27°C száraz léghőmérséklet / 19°C nedves léghőmérséklet (47% relatív páratartalom) EN1397:2015 szerint  
(2) Víz hőmérséklete 7°C / 12°C, 27°C száraz léghőmérséklet / 19°C nedves léghőmérséklet (47% relatív páratartalom)  
(3) Víz hőmérséklete 65°C / 55°C, levegő hőmérséklete 20°C  
(4) ISO 3741 és ISO 3742 szerint mért hangteljesítményszint  
(5) A feltüntetett szakaszt a minimálisan ajánlott szakasznak kell tekinteni. A kábeleket a CEI - UNEL 35024/1 szabványnak megfelelően kell megválasztani.  
(E) EUROVENT által tanúsított adatok  
Elektromos tápellátás 230-1-50 (V-ph-Hz)

## 11 TÖMEG ADATOK

FWP-C	04	05	06	08	10	11	15	17
2 csöves	kg	24,4	25,4	33,0	36,0	45,0	51,0	51,0
4 csöves	kg	25,8	26,8	34,6	37,6	47,5	53,5	53,5

# 12 FIGURE - FIGURE - FIGURES - FIGURAS - ABB - OBRÁZKY-SLIKE - ÁBRÁK

» FWP-C 04-05-06-08



### Legend

- 1 Water connections standard heat exchanger
- 2 Water connections additional heat exchanger
- 3 Condensate discharge

### Legenda

- 1 Attacchi idraulici batteria standard
- 2 Attacchi idraulici batteria addizionali
- 3 Scarico condensa

### Légende

- 1 Raccords hydrauliques échangeur standard
- 2 Raccords hydrauliques batterie additionnelle
- 3 Purge des condensats

### Leyenda

- 1 Conexiones hidráulicas - batería STD
- 2 Conexiones hidráulicas batería adicional
- 3 Descarga condensados

### Legende

- 1 Wasseranschlüsse Standardbatterie
- 2 Wasseranschlüsse zusätzliche Batterie
- 3 Kondenswasserablass

### Vysvětlivky

- 1 Standardní hydraulické připojení baterie
- 2 Přídavná hydraulická připojení baterie
- 3 Odvod kondenzátu

### Pojašnjenje:

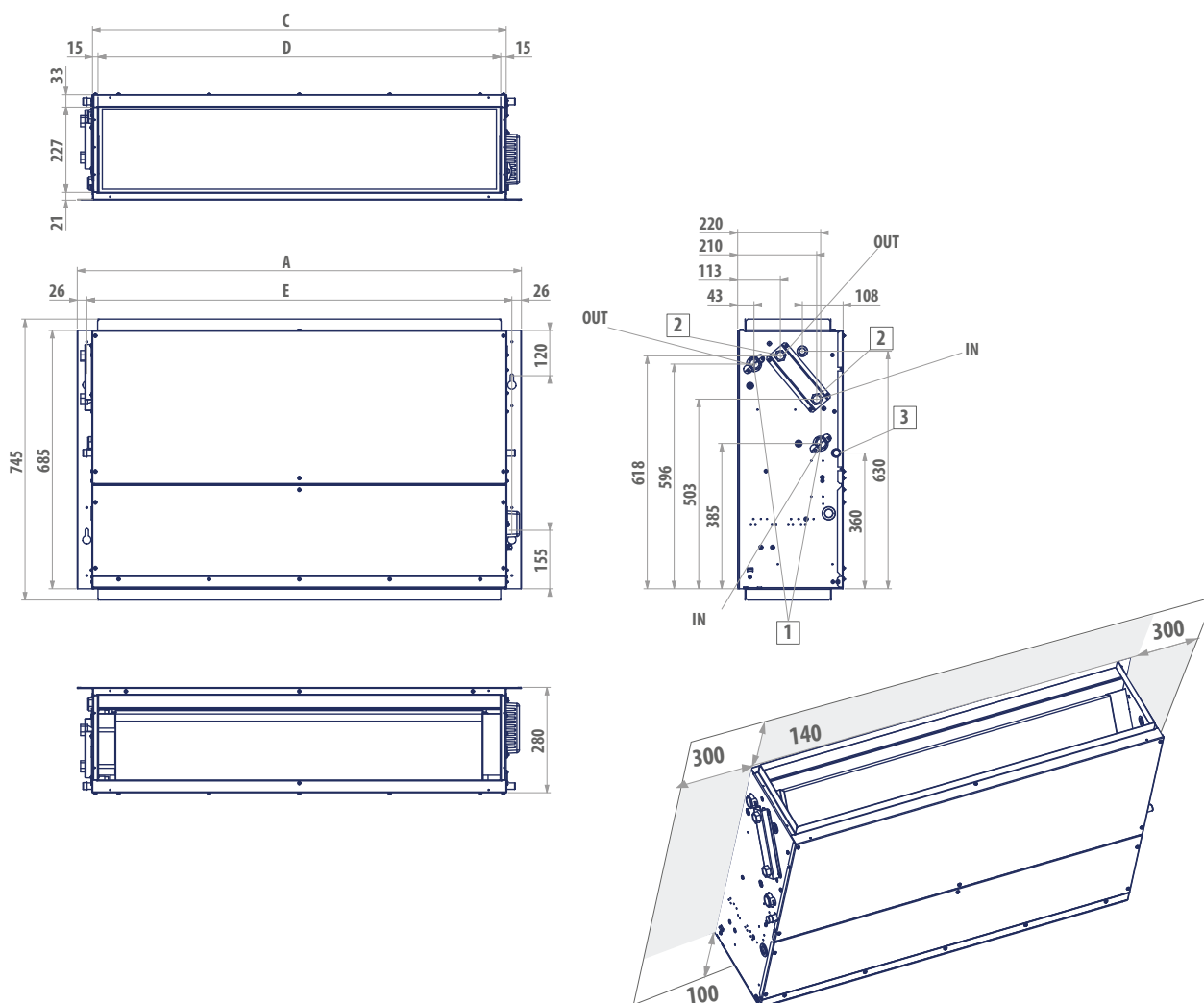
- 1 Hidraulični priključci standardne zavojnice
- 2 Hidraulični priključci dodatne zavojnice
- 3 Odvod kondenzata

### Jelmagyarázat

- 1 Standard hőcserélő hidraulikacsatlakozásai
- 2 Kiegészítő hőcserélő hidraulikus csatlakozásai
- 3 Cseppvíz-elvezetés

FWP-C		04	05	06	08
A	mm	758	758	968	968
C	mm	677	677	887	887
D	mm	648	648	858	858
E	mm	707	707	917	917
1	"			1/2	
2	"			1/2	
3	mm	17	17	17	17

» FWP-C 10-11-15-17



**Legend**

- 1 Water connections standard heat exchanger
- 2 Water connections additional heat exchanger
- 3 Condensate discharge

**Légende**

- 1 Raccords hydrauliques échangeur standard
- 2 Raccords hydrauliques batterie additionnelle
- 3 Purge des condensats

**Leyenda**

- 1 Conexiones hidráulicas - batería STD
- 2 Conexiones hidráulicas batería adicional
- 3 Descarga condensados

**Legenda**

- 1 Attacchi idraulici batteria standard
- 2 Attacchi idraulici batteria addizionali
- 3 Scarico condensa

**Legende**

- 1 Wasseranschlüsse Standardbatterie
- 2 Wasseranschlüsse zusätzliche Batterie
- 3 Kondenswasserablass

**Vysvětlivky**

- 1 Standardní hydraulické připojení baterie
- 2 Přídavná hydraulická připojení baterie
- 3 Odvod kondenzátu

**Pojašnjenje:**

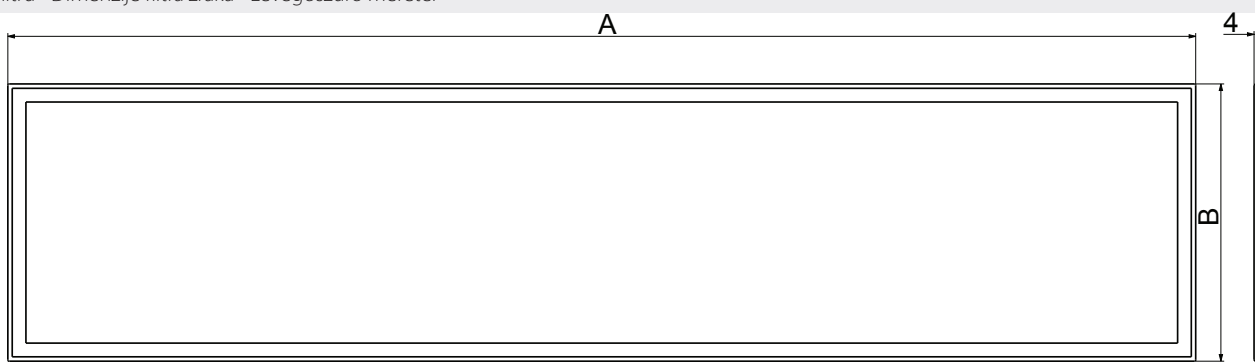
- 1 Hidraulični priključci standardne zavojnice
- 2 Hidraulični priključci dodatne zavojnice
- 3 Odvod kondenzata

**Jelmagyarázat**

- 1 Standard hőcserélő hidraulikacsatlakozásai
- 2 Kiegészítő hőcserélő hidraulikus csatlakozásai
- 3 Cseppvíz-elvezetés

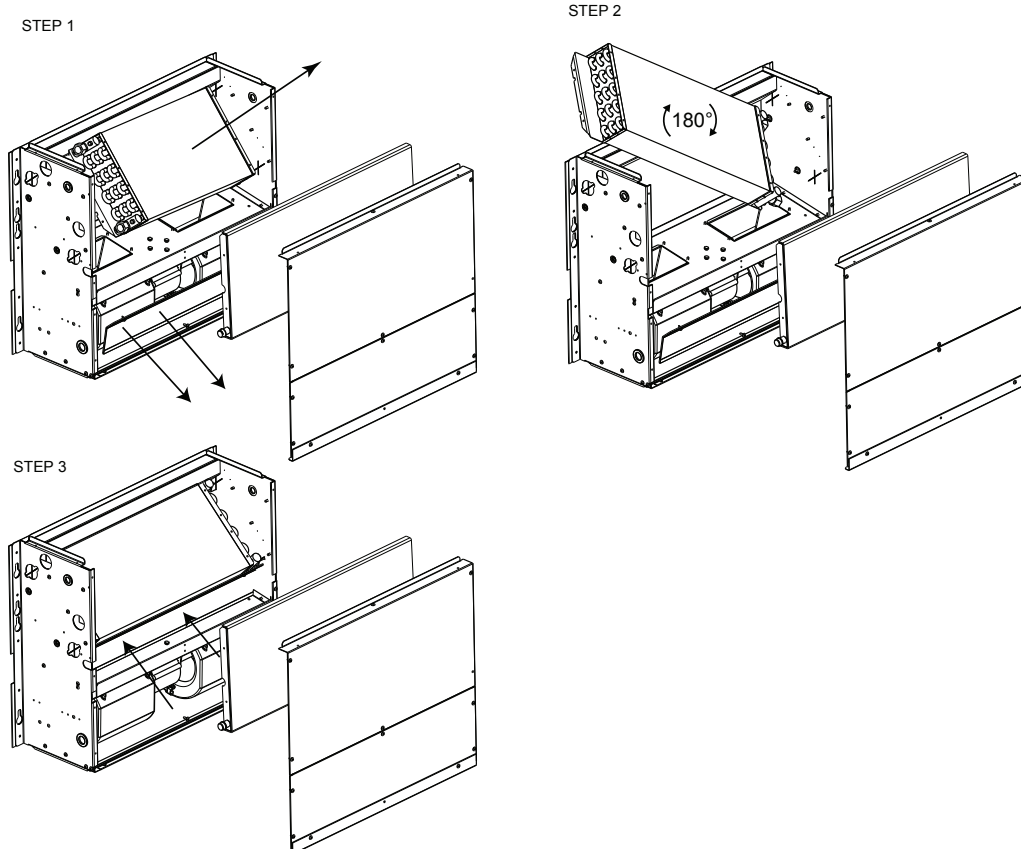
FWP-C		10	11	15	17
A	mm	1178	1178	1178	1178
C	mm	1097	1097	1097	1097
D	mm	1068	1068	1068	1068
E	mm	1127	1127	1127	1127
1	"			3/4	
2	"			1/2	
3	mm	17	17	17	17

» Air filter overall dimensions - Dimensionali filtro aria - Dimensions du filtre à air - Dimensions Luftfilter - Tamaños del filtro aire - Rozměry vzduchového filtru - Dimenzije filtra zraka - Levegőszűrő méretei

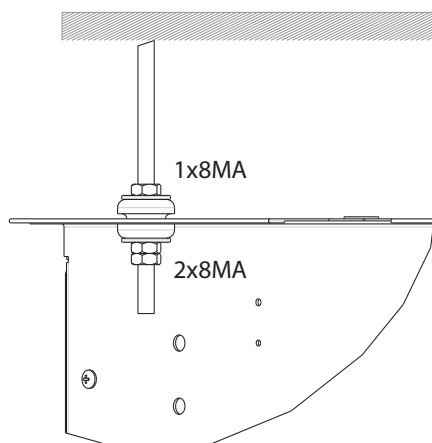


FWP-C	A	B
1-2	658	216
3-4	868	216
5-6	1078	246

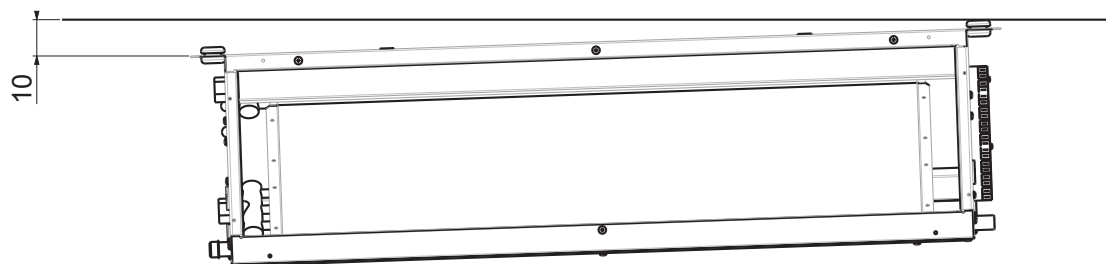
» Heat exchanger changing water side connections - Attacchi scambiatore cambio lato attacchi acqua - Raccords échangeur côté raccords eau - Anschlüsse für Wärmetauscher auf der Seite der Wasseranschlüsse - Conexiones del intercambiador de calor en el lado de las conexiones de agua - Připojení výměníku na straně vody - Priklučci izmjenjivača promjena strane priključaka vode - Csatlakozások hőcserélő vízcsatlakozások oldala



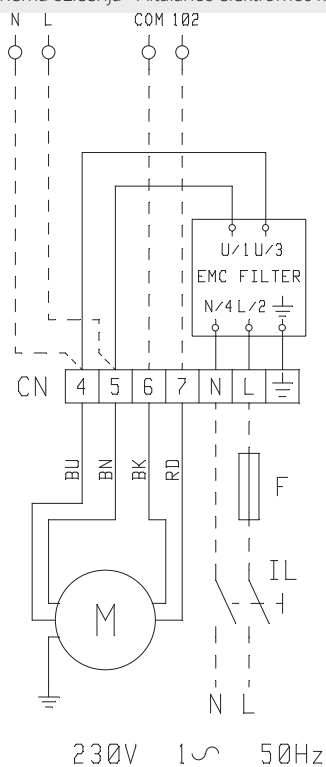
» Ceiling installation unit - Fissaggio unità a soffitto - Installation en plafonnier de l'unité - Deckeninstallation Einheit - Fijaci3n a pared de la unidad - Upevnění stropní jednotky - Pričvrščivanje jedinice na strop - Mennyezetbe süllyeszthető egység rögzítése



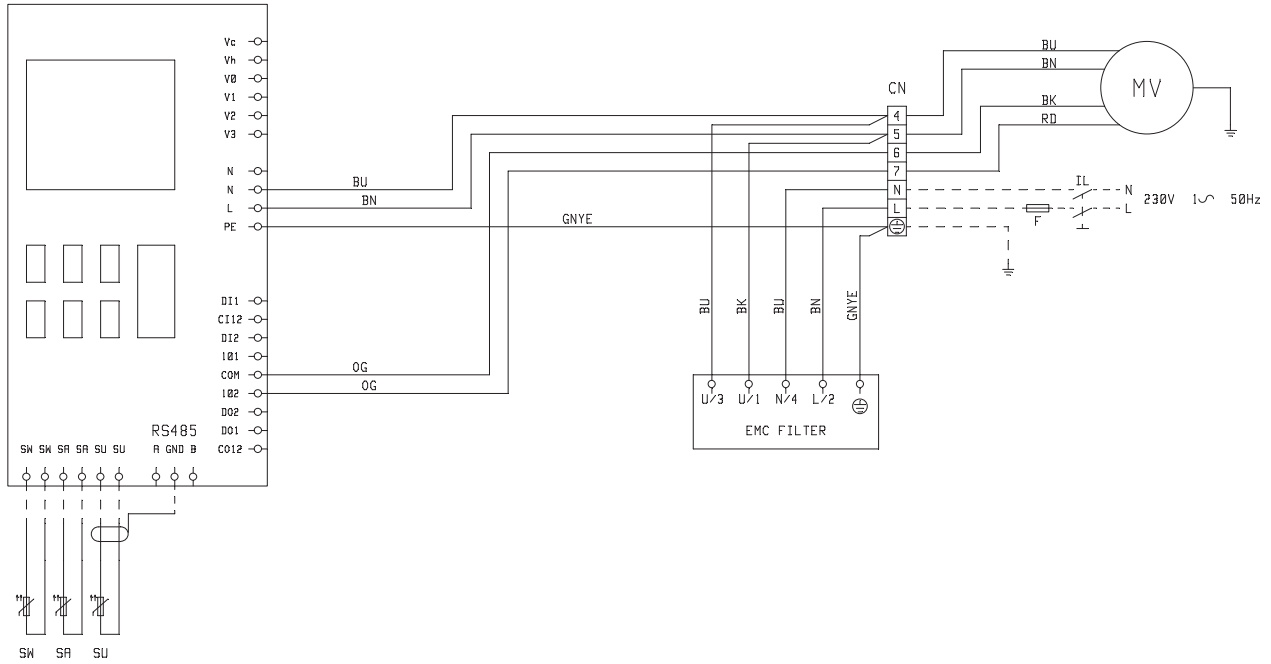
» Condensate discharge proper inclination - Pendenza corretta per scarico condensa - Inclinaison correcte pour la purge de condensat - Kondenswasserablass korrekte Neigung - Pendiente correcta para la descarga del condensad - Správny sklon pro odvod kondenzátu - Ispravan nagib za odvod kondenzata - Megfelelő lejtés a kondenzvíz elvezetéséhez



» General wiring diagram - Schema elettrico generale - Connexion électrique general - Elektrischer Anschluss - Conexión eléctrica general - Obecné schéma zapojení - Opća shema ožičenja - Általános elektromos kapcsolási rajz



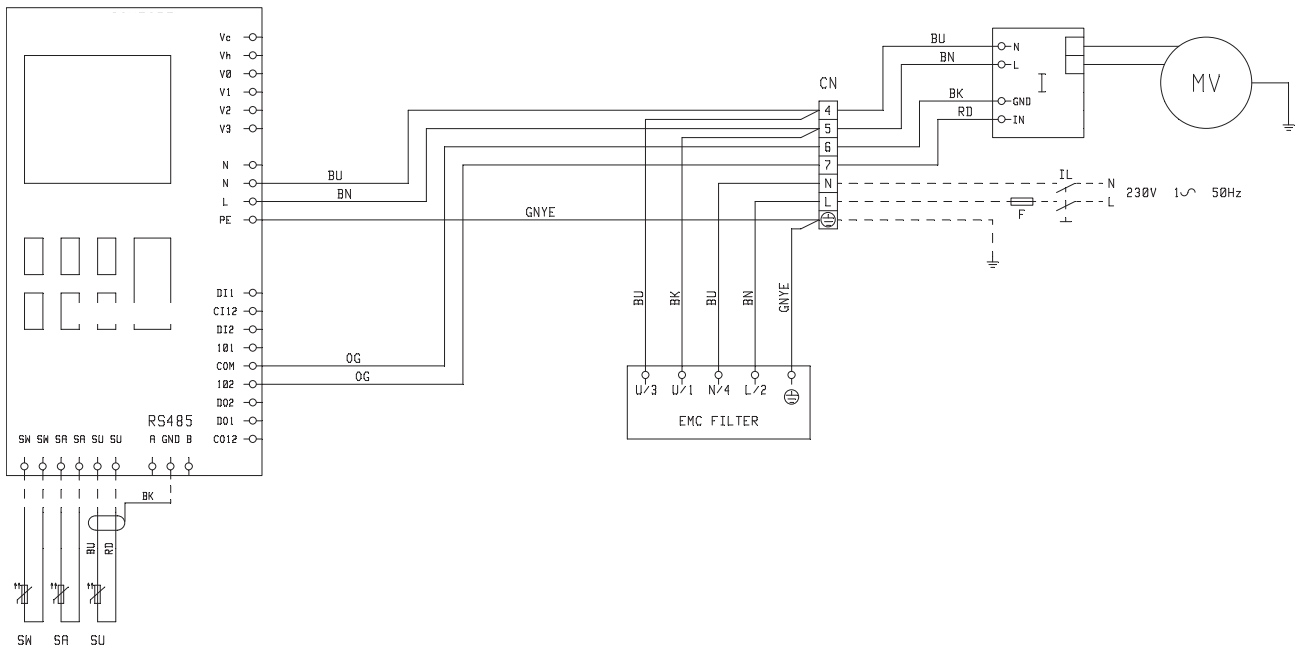
» FWEC3A wiring diagram with built-in inverter motor - Schema elettrico FWEC3A con motore inverter incorporato - Connexion électrique FWEC3A avec moteur inverseur incorporé - Elektrischer Anschluss FWEC3A mit eingebautem Umrichter motor - Conexión eléctrica FWEC3A con motor inverter incorporado - Schéma zapojení FWEC3A s vestavěným invertorovým motorem - Shema ožičenja FWEC3A s ugrađenim inverterskim motorom - FWEC3A kapcsolási rajz beépített inverteres motorral



**Legende schemi elettrici: // Electrical wiring diagram legend: // Légendes schémas électriques: // Legende Schaltplan: // Leyenda esquemas eléctricos: // Legendy elektrických schémat: // Pojašnjenja sheme ožičenja: // Elektromos kapcsolási rajzok jegyzéke: ... Collegamenti elettrici a cura dell'installatore // ... Wirings made by supplier // ... Branchements électriques incombant à l'installateur // ... Stromanschlüsse seitens des Kunden // ... Conexiones eléctricas a cargo del instalador // ... Elektrická připojení provedená montážní firmou // ... Električni priključki koje treba priključiti instalater // ... Az elektromos bekötések a beszerelő feladatkörébe tartoznak**

L Fase // L Phase // L Phase // L Fase // L Fase // L Faza // L Fázis  
PE Terra // PE Ground // PE Terre // PE Erde // PE Tierra // PE Země // PE Zemlja // PE Földelés  
N Neutro // N Neutral // N Neutre // N Neutral // N Neutro // N Neutrál // N Neutraino // N Nullfázis  
CN Connettere morsettiaria // CN Terminal board connector // CN Bornier de branchement // CN Anschlussklemmenbrett // CN Caja de bornes de conexión // CN Konektor svorkovnice // CN Priključak spojne kutije // CN Sorkapocs csatlakozó  
F Fusibile (non fornito) // F Fuse (not provided) // F Fusibile (non fornite) // F Sicherung (nicht mitgeliefert) // F Fusibile (no suministrado) // F Pajistka (neni součástí dodávky) // F Osigurač (ne isporučuje se) // F Biztosíték (nem tartozék)  
IL Interruttore di linea (non fornito) // IL Circuit breaker (not supplied) // IL Interrupteur de ligne (non fourni) // IL Hauptschalter (nicht mitgeliefert) // IL Interruptor de línea (no suministrado) // IL Linkový spínač (neni součástí dodávky) // IL Mrežni prekidač (ne isporučuje se) // IL Kismegszakító (nem tartozék)  
BK Nero = comune inverter // BK Black = common inverter // BK Noir = commun inverter // BK Schwarz = verbreitet inverter // BK Negro = común inverter // BK Černá = společný měnič // BK Črno = zajednički inverter // BK Fekete = közös inverter  
BU Blu = neutro motore inverter // BU Blue = neutral inverter motor // BU Bleu = neutre moteur inverter // BU Blau = neutral motor inverter // BU Azul = neutral motor inverter // BU Modrá = neutrální motoru měniče // BU Plavo = Neutralan inverterški motor // BU Kék = inverter motor null  
COM Comune uscita 0-10V // COM Common output for 0-10V outputs // COM Commun sorties 0-10V // COM Gemeinsam Ausgänge 0-10V // COM Común salidas 0-10V // COM Společný výstup 0-10V // COM Zajednički izlaz 0-10V // COM Közös kimenet 0-10V //  
BN Marrone = fase motore inverter // BN Brown = inverter motor phase // BN Marron = phase moteur inverter // BN Braun = phase inverter motor // BN Marrón = fase motor inverter // BN Hnědá = fáze motoru měniče // BN Smeđe = faza inverterškog motora // BN Barna = inverter motor fázis //  
GYNE Giallo/Verde = Terra (PE) // GYNE Yellow/green = Ground (PE) // GYNE Jaune/Vert = Terre (PE) // GYNE Gelb/Grün = Erde (PE) // GYNE Amarillo/Verde = Tierra (PE) // GYNE Zlutá/zelená = Země (PE) // GYNE Žuto/zeleno = Zemlja (PE) // GYNE Zöld/zöld/sárga = földelés (PE)  
RD Rosso = segnale 0-10V // RD Red = 0-10V signal // RD Rouge = signal 0-10V // RD Rot = Signal 0-10V // RD Rojo = señal 0-10V // RD Červená = signál 0-10V // RD Crveno = signal 0-10V // RD Piros = jelzés 0-10V  
SW Sonda acqua // SW Water probe // SW Sonde eau // SW Wasserfühler // SW Sonda de agua // SW Vodní sonda // SW Sonda vode // SW Víz szonda  
SU Sonda umidità // SU Humidity probe // SU Sonde humidité // SU Feuchtigkeitsfühler // SU Sonda de humedad // SU Vlhkostní sonda // SU Sonda vlažnosti // SU Páratartalom szonda  
SA Sonda aria // SA Air probe // SA Sonde air // SA Luftfühler // SA Sonda de aire // SA Vzduchová sonda // SA Sonda zraka // SA Levegő szonda  
EMC FILTER filtro antiscintille // EMC FILTER noise filter // EMC FILTER filtre anti-interférences // EMC FILTER EntstörungsfILTER // EMC FILTER Filtro antiinterferencias // EMC FILTER filter šumu // EMC FILTER filter za buku // EMC FILTER zajsztűrő  
A/B/GND RS485 // A/B/GND RS485 // A/B/GND RS485 // A/B/GND RS485 // A/B/GND RS485 // A/B/GND RS485 // A/B/GND RS485 // A/B/GND RS485 // A/B/GND RS485 // A/B/GND RS485  
BN (L2 FILT) Marrone= linea IN filtro // BN (L2 FILT) Brown = filter IN line // BN (L2 FILT) Marron = ligne IN filtre // BN (L2 FILT) Marrón = línea entrada filtro // BN (L2 FILT) Hnědá = vedení IN filtru // BN (L2 FILT) Smeđe = linija ULAZ filter // BN (L2 FILT) Barna= vonal IN szűrő  
BN (N4 FILT) Blu=neutro IN filtro // BN (N4 FILT) Blue = filter IN neutral // BN (N4 FILT) Bleu = neutre IN filtre // BN (N4 FILT) Blau=Neutralleiter IN Filter // BN (N4 FILT) Azul=neutro entrada filtro // BN (N4 FILT) Modrá = neutrální IN filtru // BN (N4 FILT) Plavo = neutralno ULAZ filter // BN (N4 FILT) Kék=semleges IN szűrő  
BK (U1 FILT) Nero= linea OUT filtro // BK (U1 FILT) Black = filter OUT line // BK (U1 FILT) Noir = ligne OUT filtre // BK (U1 FILT) Schwarz=Leitung OUT Filter // BK (U1 FILT) Negro= línea salida filtro // BK (U1 FILT) Černá = vedení OUT filtru // BK (U1 FILT) Črno = linija IZLAZ filter // BK (U1 FILT) Fekete= vonal OUT szűrő  
BU (U3 FILT) Blu=neutro OUT filtro // BU (U3 FILT) Blue = filter OUT neutral // BU (U3 FILT) Bleu = neutre OUT filtre // BU (U3 FILT) Blau=Neutralleiter OUT Filter // BU (U3 FILT) Azul=neutro salida filtro // BU (U3 FILT) Modrá = neutrální OUT filtru // BU (U3 FILT) Plavo = neutralno IZLAZ filter // BU (U3 FILT) Kék=semleges OUT szűrő

» FWEC3A wiring diagram with separated inverter motor - Schema elettrico FWEC3A con inverter separato - Connexion électrique FWEC3A avec moteur inverseur séparé - FWEC3A mit separatem Umrichtermotor - Conexión eléctrica FWEC3A con motor inverter separado - Schéma zapojení FWEC3A se samostatným měničem - Shema ožičenja FWEC3A s odvojenim inverterskim motorom - FWEC3A kapcsolási rajz külön inverterrel



**Legende schemi elettrici: // Electrical wiring diagram legend: // Légendes schémas électriques: // Legende Schaltplan: // Leyenda esquemas eléctricos: // Legendy elektrických schémat: // Pojašnjenja sheme ožičenja: // Elektromos kapcsolási rajzok jegyzéke: ... Collegamenti elettrici a cura dell'installatore // ... Wirings made by supplier // ... Branchements électriques incombant à l'installateur // ... Stromanschlüsse seitens des Kunden // ... Conexiones eléctricas a cargo del instalador // ... Elektrická připojení provedená montážní firmou // ... Električni priključci koje treba priključiti instalater // ... Az elektromos bekötések a beszerelő feladatkörébe tartoznak**

L Fase // L Phase // L Phase // L Phase // L Fase // L Faze // L Faza // L fázis

PE Terra // PE Ground // PE Terre // PE Erde // PE Tierra // PE Země // PE Zemlja // PE Földelés

N Neutro // N Neutral // N Neutre // N Neutral // N Neutro // N Neutrál // N Neutralno // N Nullfázis

CN Connettore morsettiere // CN Terminal board connector // CN Bornier de branchement // CN Anschlussklemmbrett // CN Caja de bornes de conexión // CN Konektor svorkovnice // CN Priključak spojne kutije // CN Sorkapocs csatlakozó

F Fusibile (non fornito) // F Fuse (not provided) // F Fusible (nun fournie) // F Sicherung (nicht mitgeliefert) // F Fusibile (no suministrado) // F Pojistka (neni součástí dodávky) // F Osigurač (ne isporučuje se) // F Biztosíték (nem tartozék)

IL Interruttore di linea (non fornito) // IL Circuit breaker (not supplied) // IL Interrupteur de ligne (non fourni) // IL Hauptschalter (nicht mitgeliefert) // IL Interruptor de línea (no suministrado) // IL Linkový spínač (neni součástí dodávky) // IL Mrežni prekidač (ne isporučuje se) // IL Kismegszakító (nem tartozék)

BK Nero = comune inverter // BK Black = common inverter // BK Noir = commun inverter // BK Schwarz = verbreitet inverter // BK Negro = común inverter // BK Černá = společný měnič // BK Crno = zajednički inverter // BK Fekete = közös inverter

BU Blu = neutro motore inverter // BU Blue = neutral inverter motor // BU Bleu = neutre moteur inverter // BU Blau = neutral motor inverter // BU Azul = neutral motor inverter // BU Modrá = neutrální motoru měniče // BU Plavo = Neutralan inverterski motor // BU Kék = inverter motor null

COM Comune uscita 0-10V // COM Common output for 0-10V outputs // COM Commun sorties 0-10V // COM Gemeinsam Ausgänge 0-10V // COM Común salidas 0-10V // COM Společný výstup 0-10V // COM Zajednički izlaz 0-10V // COM Közös kimenet 0-10V

BN Marrone = fase motore inverter // BN Brown = inverter motor phase // BN Marron = phase moteur inverter // BN Braun = phase inverter motor // BN Marrón = fase motor inverter // BN Hnědá = fáze motoru měniče // BN Smede = faza inverterskog motora // BN Barna = inverter motor fázis

GNYE Giallo/Verde = Terra (PE) // GNYE Yellow/green = Ground (PE) // GNYE Jaune/Vert = Terre (PE) // GNYE Gelb/Grün = Erde (PE) // GNYE Amarillo/Verde = Tierra (PE) // GNYE Žlutá/zelená = Země (PE) // GNYE Žuto/zeleno = Zemlja (PE) // GNYE Zöld/szárna = földelés (PE)

RD Rosso = segnale 0-10V // RD Red = 0-10V signal // RD Rouge = signal 0-10V // RD Rot = Signal 0-10V // RD Rojo = señal 0-10V // RD Červená = signál 0-10V // RD Crveno = signal 0-10V // RD Piros = jelzés 0-10V

SW Sonda acqua // SW Water probe // SW Sonde eau // SW Wasserfühler // SW Sonda de agua // SW Vodní sonda // SW Sonda vode // SW Víz szonda

SU Sonda umidità // SU Humidity probe // SU Sonde humidité // SU Feuchtigkeitsfühler // SU Sonda de humedad // SU Vlhkostní sonda // SU Sonda vlačnosti // SU Páratartalom szonda

SA Sonda aria // SA Air probe // SA Sonde air // SA Luftfühler // SA Sonda de aire // SA Vzduchová sonda // SA Sonda zraka // SA Levegő szonda

EMC FILTER filtro antidisturbo // EMC FILTER noise filter // EMC FILTER filtre anti-interférences // EMC FILTER Entstörungfilter // EMC FILTER Filtro antiinterferencias // EMC FILTER filter шумu // EMC FILTER filter za buku // EMC FILTER zajszűrő

A/B/GND RS485 // A/B/GND RS485 // A/B/GND RS485 // A/B/GND RS485 // A/B/GND RS485 // A/B/GND RS485 // A/B/GND RS485

BN (L2 FILT) Marrone= linea IN filtro // BN (L2 FILT) Brown = filter IN line // BN (L2 FILT) Marron = ligne IN filtre // BN (L2 FILT) Braun = Leitung IN Filter // BN (L2 FILT) Marrón= línea entrada filtro // BN (L2 FILT) Hnědá = vedení IN filtru // BN (L2 FILT) Smede = linija IZLAZ filter // BN (L2 FILT) Barna= vonal IN szűrő

BN (N4 FILT) Blu=neutro IN filtro // BN (N4 FILT) Blue = filter IN neutral // BN (N4 FILT) Bleu = neutre IN filtre // BN (N4 FILT) Blau = Neutralleiter IN Filter // BN (N4 FILT) Azul=neutro entrada filtro // BN (N4 FILT) Modrá = neutrální IN filtru // BN (N4 FILT) Plavo = neutralno IZLAZ filter // BN (N4 FILT) Kék=semleges IN szűrő

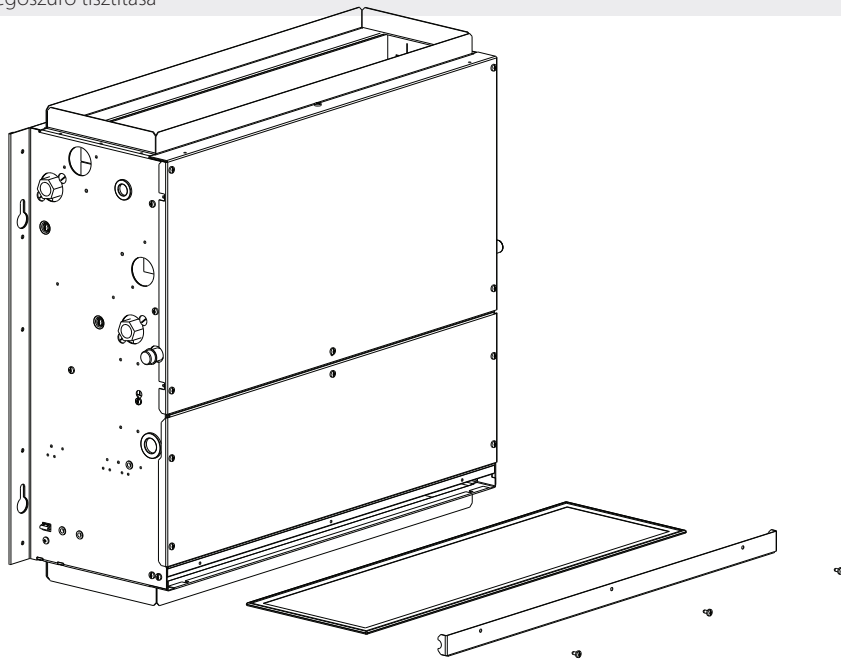
BK (U1 FILT) Nero= linea OUT filtro // BK (U1 FILT) Black = filter OUT line // BK (U1 FILT) Noir = ligne OUT filtre // BK (U1 FILT) Schwarz = Leitung OUT Filter // BK (U1 FILT) Negro= línea salida filtro // BK (U1 FILT) Černá = vedení OUT filtru // BK (U1 FILT) Crno = linija IZLAZ filter // BK (U1 FILT) Fekete= vonal OUT szűrő

BU (U3 FILT) Blu=neutro OUT filtro // BU (U3 FILT) Blue = filter OUT neutral // BU (U3 FILT) Bleu = neutre OUT filtre // BU (U3 FILT) Blau = Neutralleiter OUT Filter // BU (U3 FILT) Azul=neutro salida filtro // BU (U3 FILT) Modrá = neutrální OUT filtru // BU (U3 FILT) Plavo = neutralno IZLAZ filter // BU (U3 FILT) Kék=semleges OUT szűrő

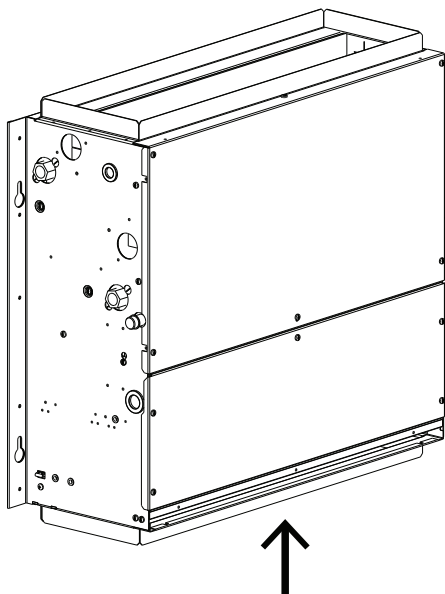




» Cleaning the air filter - Pulizia filtro aria - Nettoyage du filtre à air - Reinigung des Luftfilters - Limpieza del filtro de aire - Čištění vzduchového filtru - Čišćenje filtra zraka - Levegőszűrő tisztítása



» Standard inlet - Aspirazione standard - Aspiration standard - Standard Luftansaugung - Aspiración estándar - Standardní přívod - Standardni ulaz - Standard bemenet





Zandvoordestraat 300, B-8400 Oostende,  
Belgium